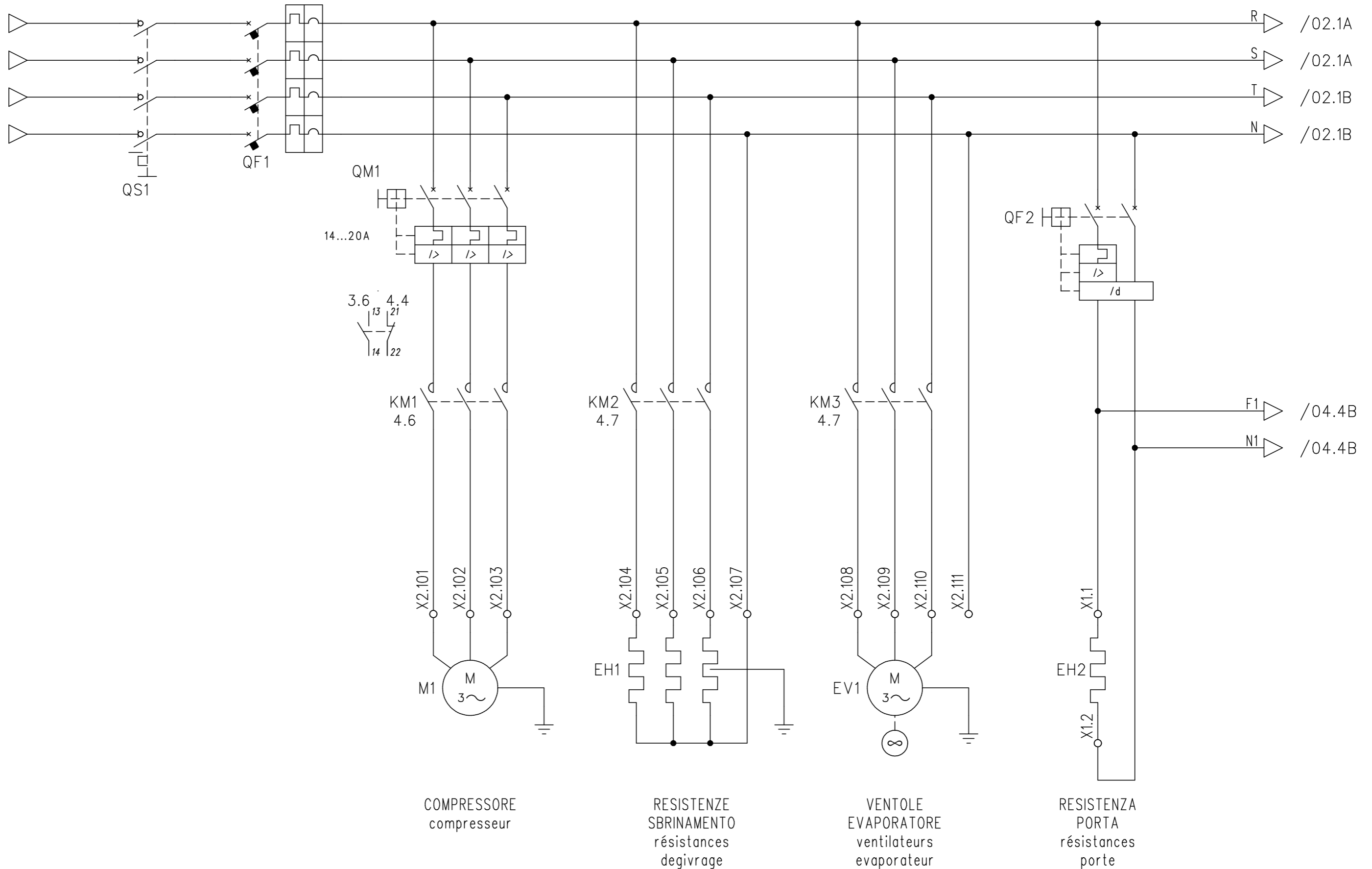
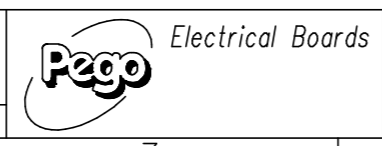


INTERRUPTORE GENERALE
interrupteur general



PROJECT: 5TLX4002EV3++
 FILE NAME: 5TLX4002EV3++
 TYPE: .sch
 COPYING OF THIS DOCUMENT, AND GIVING IT TO OTHERS AND THE USE OR COMMUNICATION OF THE CONTENTS THEREOF, ARE FORBIDDEN WITHOUT EXPRESS AUTHORITY. OFFENDERS ARE LIABLE TO THE PAYMENT OF DAMAGES. ALL RIGHTS ARE RESERVED IN THE EVENT OF THE GRANT OF A PATENT OF THE REGISTRATION OF A UTILITY MODEL OR DESIGN

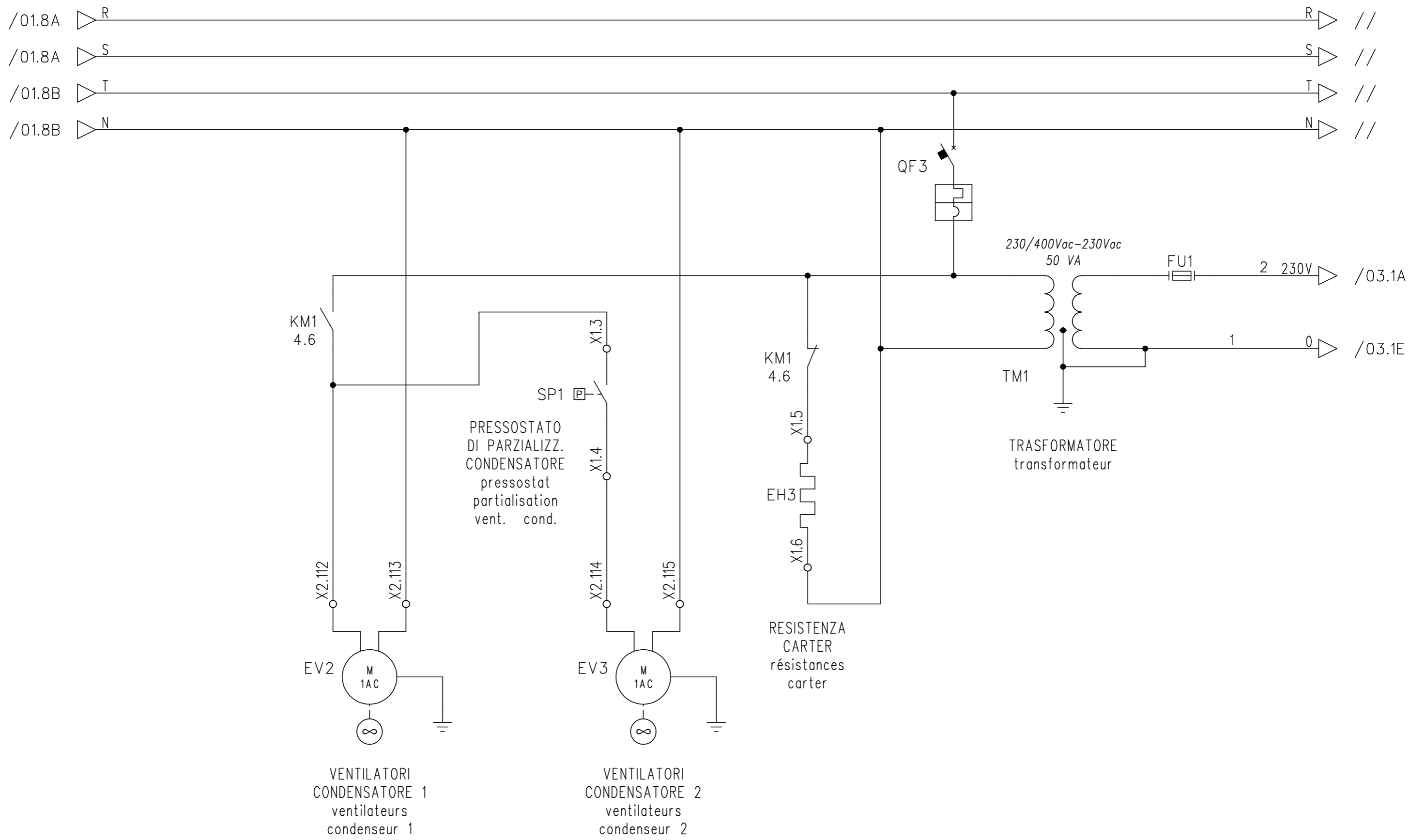
DATE	13/06/2013
COMMISS.	Davide
CHECKED BY	
APPROV.	




5TLX4002EV3++

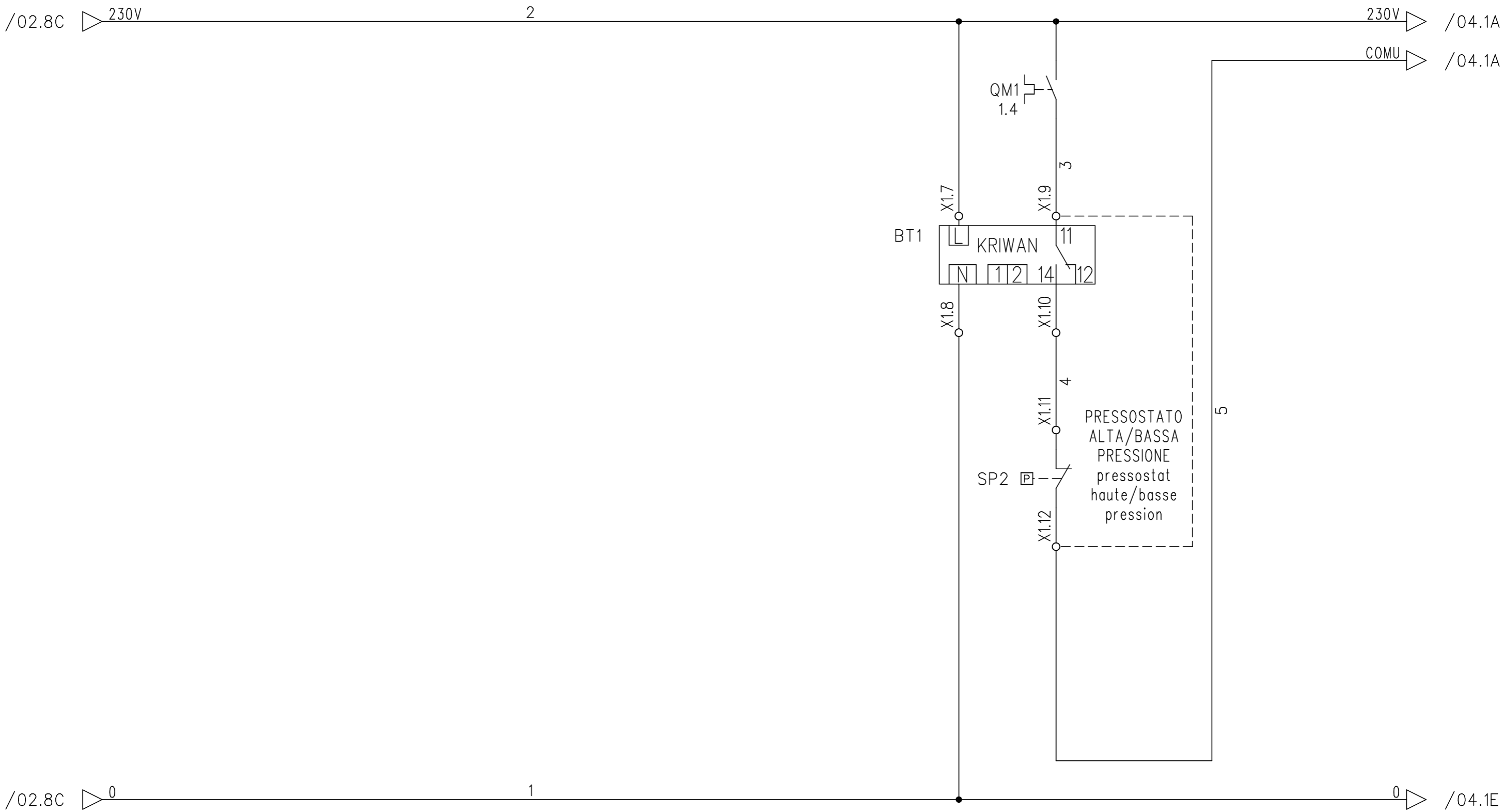
=	5TLX4002EV3++
+	
SHEET 1	
N.S. 2	T.F. 7


PROJECT: 5TLX4002EV3++
 FILE NAME: 5TLX4002EV3++
 TYPE: .sch
 COPYING OF THIS DOCUMENT, AND GIVING IT TO OTHERS AND THE USE OR COMMUNICATION OF THE CONTENTS THEREOF, ARE FORBIDDEN WITHOUT EXPRESS AUTHORITY. OFFENDERS ARE LIABLE TO THE PAYMENT OF DAMAGES. ALL RIGHTS ARE RESERVED IN THE EVENT OF THE GRANT OF A PATENT OF THE REGISTRATION OF A UTILITY MODEL OR DESIGN



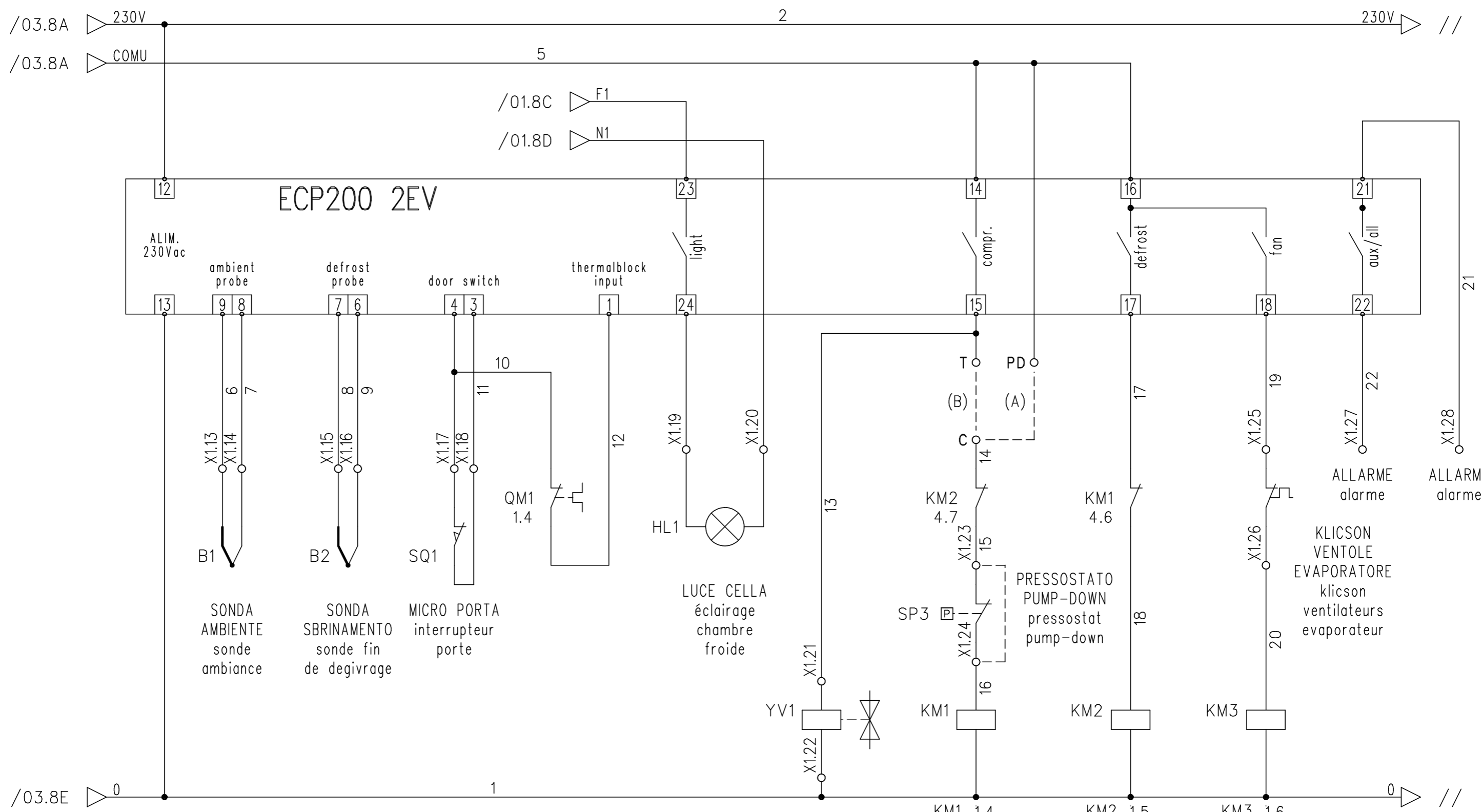
DATE	13/06/2013	 Electrical Boards	5TLX4002EV3++	= 5TLX4002EV3++	
COMMISS.	Davide			+	
CHECKED BY				SHEET 2	
APPROV.		SUBST.:	SUB. FOR:	N.S. 3	T.F. 7

PROJECT: 5TLX4002EV3++
 FILE NAME: 5TLX4002EV3++
 TYPE: .sch
 COPYING OF THIS DOCUMENT, AND GIVING IT TO OTHERS AND THE USE OR COMMUNICATION OF THE CONTENTS THEREOF, ARE FORBIDDEN WITHOUT EXPRESS AUTHORITY. OFFENDERS ARE LIABLE TO THE PAYMENT OF DAMAGES. ALL RIGHTS ARE RESERVED IN THE EVENT OF THE GRANT OF A PATENT OF THE REGISTRATION OF A UTILITY MODEL OR DESIGN



DATE	13/06/2013	 Electrical Boards	5TLX4002EV3++	= 5TLX4002EV3++	
COMMISS.	Davide			+	
CHECKED BY				SHEET 3	
APPROV.		SUBST.:	SUB. FOR:	N.S. 4	T.F. 7

PARAMETRO nrE=1 NON MODIFICARE
 PARAMETER nrE=1 NE PAS MODIFIER



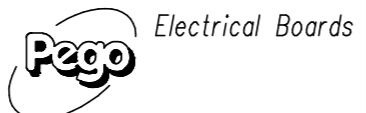
COPYING OF THIS DOCUMENT, AND GIVING IT TO OTHERS AND THE USE OR COMMUNICATION OF THE CONTENTS THEREOF, ARE FORBIDDEN WITHOUT EXPRESS AUTHORITY. OFFENDERS ARE LIABLE TO THE PAYMENT OF DAMAGES. ALL RIGHTS ARE RESERVED IN THE EVENT OF THE GRANT OF A PATENT OF THE REGISTRATION OF A UTILITY MODEL OR DESIGN.

PROJECT: 5TLX4002EV3++
 FILE NAME: 5TLX4002EV3+++.sch
 TYPE:

SELEZIONE FUNZIONAMENTO:
 mode selection
 PONTE (A): FUNZIONAMENTO CON PUMP-DOWN
 SHUNT (A) : Fonctionnement par PUMP-DOWN
 PONTE (B): FUNZIONAMENTO CON TERMOSTATO
 SHUNT (B) : Fonctionnement par THERMOSTAT

DATE	13/06/2013
COMMISS.	Davide
CHECKED BY	
APPROV.	

SUBST.: SUB. FOR:



5TLX4002EV3++

=	5TLX4002EV3++
+	
SHEET	4
N.S. X1-001	T.F. 7

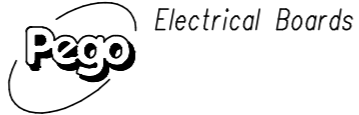
PROJECT: 5TLX4002EV3++
 FILE NAME: 5TLX4002EV3++
 TYPE: .sch

X1

1	RESISTENZA PORTA résistances porte	EH2	1.7
2	RESISTENZA PORTA résistances porte	EH2	1.7
3	PRESSOSTATO DI PARZIALIZZ. CONDENSATORE pressostat partialisation vent. cond.	SP1	2.4
4	PRESSOSTATO DI PARZIALIZZ. CONDENSATORE pressostat partialisation vent. cond.	SP1	2.4
5	RESISTENZA CARTER résistances carter	EH3	2.5
6	RESISTENZA CARTER résistances carter	EH3	2.5
7	ALIMENTAZIONE KRIWAN alimentation kriwan	BT1	3.6
8	ALIMENTAZIONE KRIWAN alimentation kriwan	BT1	3.6
9	COMUNE KRIWAN comun kriwan	BT1	3.6
10	CONSENSO KRIWAN autorization kriwan	BT1	3.6
11	PRESSOSTATO ALTA/BASSA PRESSIONE pressostat haute/basse pression	SP2	3.6
12	PRESSOSTATO ALTA/BASSA PRESSIONE pressostat haute/basse pression	SP2	3.6
13	SONDA AMBIENTE sonde ambiance	B1	4.2
14	SONDA AMBIENTE sonde ambiance	B1	4.2
15	SONDA SBRINAMENTO sonde fin de degivrage	B2	4.3
16	SONDA SBRINAMENTO sonde fin de degivrage	B2	4.3
17	MICRO PORTA interrupteur porte	SQ1	4.3
18	MICRO PORTA interrupteur porte	SQ1	4.3
19	LUCE CELLA éclairage chambre froide	HL1	4.4
20	LUCE CELLA éclairage chambre froide	HL1	4.5
21	SOLENOIDE LIQUIDA electrovanne liquide	YV1	4.5
22	SOLENOIDE LIQUIDA electrovanne liquide	YV1	4.5
23	PRESSOSTATO PUMP-DOWN pressostat pump-down	SP3	4.6
24	PRESSOSTATO PUMP-DOWN pressostat pump-down	SP3	4.6
25	KLICSON VENTOLE EVAPORATORE klicson ventilateurs evaporateur		4.7
26	KLICSON VENTOLE EVAPORATORE klicson ventilateurs evaporateur		4.7
27	ALLARME alarme		4.8
28	ALLARME alarme		4.8

DATE 13/06/2013
 COMMISS. Davide
 CHECKED BY
 APPROV.

RIEPILOGO MORSETTI



5TLX4002EV3++

= 5TLX4002EV3++
 +
 SHEET X1-001
 N.S. X2-001 | T.F. 7

COPYING OF THIS DOCUMENT, AND GIVING IT TO OTHERS AND THE USE OR COMMUNICATION OF THE CONTENTS THEREOF, ARE FORBIDDEN WITHOUT EXPRESS AUTHORITY. OFFENDERS ARE LIABLE TO THE PAYMENT OF DAMAGES. ALL RIGHTS ARE RESERVED IN THE EVENT OF THE GRANT OF A PATENT OF THE REGISTRATION OF A UTILITY MODEL OR DESIGN

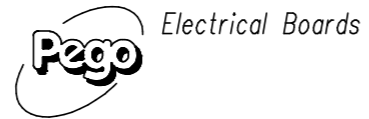
PROJECT:
 FILE NAME: 5TLX4002EV3+++.sch
 TYPE:

X2

101		M1	1.4	COMPRESSORE compresseur
102		M1	1.4	COMPRESSORE compresseur
103		M1	1.4	COMPRESSORE compresseur
104		EHI	1.5	RESISTENZE SBRINAMENTO résistances degivrage
105		EHI	1.5	RESISTENZE SBRINAMENTO résistances degivrage
106		EHI	1.5	RESISTENZE SBRINAMENTO résistances degivrage
107		EHI	1.5	RESISTENZE SBRINAMENTO résistances degivrage
108		EV1	1.6	VENTOLE EVAPORATORE ventilateurs évaporateur
109		EV1	1.6	VENTOLE EVAPORATORE ventilateurs évaporateur
110		EV1	1.6	VENTOLE EVAPORATORE ventilateurs évaporateur
111		QF2	1.6	NEUTRO PER VENTOLE EVAPORATORE neutral pour ventilateurs évaporateur
112		EV2	2.3	VENTILATORI CONDENSATORE 1 ventilateurs condenseur 1
113		EV2	2.3	VENTILATORI CONDENSATORE 1 ventilateurs condenseur 1
114		EV3	2.4	VENTILATORI CONDENSATORE 2 ventilateurs condenseur 2
115		EV3	2.5	VENTILATORI CONDENSATORE 2 ventilateurs condenseur 2

DATE	13/06/2013
COMMISS.	Daide
CHECKED BY	
APPROV.	

RIEPILOGO MORSETTI



5TLX4002EV3++

=	5TLX4002EV3++
+	
SHEET X2-001	
N.S.	T.F. 7