

Data sheet

VDHT Solenoid valves

Standard NPT (National Pipe Thread)










Data sheet | Solenoid valve VDHT - NPT Thread

| | | | |
|--------------------------|----|---|----|
| Table of Contents | 1. | Picture overview | 3 |
| | 2. | Introduction | 4 |
| | 3. | VDHT valve | 4 |
| | 4. | Overview single valves | 5 |
| | 5. | Overview block valves | 6 |
| | 6. | Overview coils and accessories | 7 |
| | 7. | VDHT drawing spare part. | 8 |
| | 8. | Overview spare parts. | 18 |
| | 9. | Pressure losses p INLET to OUTLET | 19 |

Data sheet | Solenoid valve VDHT - NPT Thread

1. Picture overview

| | |
|---|---|
| <p>VDHT for small flows</p>  | |
| <p>VDHT 1/4 E</p> | |
| <p>VDHT for small and medium flows</p>  | |
| <p>VDHT 3/8 E VDHT 1/2 E</p> | |
| <p>VDHT for big flows</p>  |  |
| <p>VDHT 1 ED</p> | <p>VDHT 1 EA</p> |
| <p>VDHT block valve</p>  |  |
| <p>VDHT B 2-5 stations Input G 1/2 / G 3/4 Output G 1/2</p> | <p>VDHT BL 2-4 stations Input G 3/4 / G 1 Output G 3/4 / G 1</p> |
| <p>VDHT Cetop 3 manifold</p>  | |
| <p>VDHT 30 EC 3 G 3/8 / Cetop 3 manifold</p> | |

2. Introduction

The VDHT valve series are designed for several applications in neutral media compatible with the sealing and O-ring materials used. Typical media are water, cleaning fluids and light heating oil.

The valves are used in several applications: car wash systems, stationary high pressure cleaning, mobile cleaning vehicles and dust bindings systems, ect.

Function

The directional valves are pilot operated ON/OFF – seat valves electrically activated by a coil.

Features

- Corrosion resistant
- Easy-to-clean
- Reliability
- Dirt tolerant, max. sieve (strainer) width 200 µm or better
- High temperature-resistant
- Robust design prevents leakage
- High coil density IP67 (NEMA 4X)
- Compact design

Versions

The valve housing, blocks and manifolds are made of stainless steel AISI 304 (W.No. 1.4301), and the piston of stainless steel AISI 316 (W.No. 1.4401). Standard valves are delivered with PTFE piston and FPM sealings.

VDHT inline valves are available with a number of mounting possibilities, flow direction, port size: ¼, ⅜, ½, ¾ and 1" NPT and more - defining the following designation. The VDHT valves are also available in BSP.

VDHT integrated valve blocks provide a space and cost-saving solution in applications where valves are placed next to each other. Furthermore, integrated valves blocks provide a pressure loss reduction.

3. VDHT valve selection overview

| | | | |
|-------------|-----------------------------|-------------|--|
| E | Straight flow direction | N | New version slimline |
| EA | Angular flow direction | BL N | Block version large / New version stroke |
| EC 3 | Cetop 3 manifold | F | Flange port input |
| ED | Displaced flow direction | NC | Normally closed |
| HP | High pressure variant | NO | Normally opened |
| B | Block version small | BSP | British Standard Pipe |
| BL | Block version large | NPT | National Pipe Thread |
| BLM | Block version manual bypass | SAE | Unified national fine thread |

Temperature

- Medium temperature: 2–90 °C (35–194 °F)
- Ambient temperature: 2–80 °C (35–176 °F) depending on the coil specification
- Storage temperature: -40–80 °C (-40–176 °F) Provided that the valve is drained from fluid and stored “plugged”.

General

| | |
|--|--|
| P_{in} > P_{out} | For correct functioning of the VDHT valves, always ensure the inlet pressure to be higher than the outlet pressure |
| Pilot flow | The VDHT pilot operated poppet type (armature + poppet) always needs min. 1 l/min. (0.26 gpm) flow to ensure correct functioning |
| Viscosity | Max viscosity of fluid: 45mm ² /s. Remark fluid viscosity has influence on pressure drop and opening/closing time of the VDHT valves. |

Data sheet | Solenoid valve VDHT - NPT Thread

4. Overview single valves

2/2-way solenoid valve, type VDHT 1/4" NPT

Opening / Closing time NC (at Qnom) 100–200 ms / 100–200 ms



| Description | Code no. | Q nom l/min. (gpm) | p max barg (psig) | T max °C (°F) | Con- nec- tion | Operating pressure/ barg (psig) | Weight excl. coil kg (lbs) | Piston Ø mm | Orifice kit |
|-------------------|----------|--------------------------|-------------------------|------------------|----------------------|---------------------------------------|----------------------------------|-------------------|----------------|
| VDHT 1/4 E NC NPT | 180L0243 | 15 (4.0) | 100 (1450) | 90 (194) | NPT 1/4 | 0.3 (4.0) | 0.6 (1.7) | Ø11.9 | - |
| VDHT 1/4 E NO NPT | 180L0244 | 15 (4.0) | 100 (1450) | 90 (194) | NPT 1/4 | 0.3 (4.0) | 0.6 (1.7) | Ø11.9 | - |

2/2 - way solenoid valve, type VDHT 3/8" and 1/2" NPT

Opening / Closing time NC (at Qnom) 100–125 ms / 200–300 ms



| Description | Code no. | Q nom l/min. (gpm) | p max barg (psig) | T max °C (°F) | Con- nec- tion | Operating pressure/ barg (psig) | Weight excl. coil kg (lbs) | Piston Ø mm | Orifice kit |
|----------------------|----------|--------------------------|-------------------------|------------------|----------------------|---------------------------------------|----------------------------------|-------------------|----------------|
| VDHT 3/8 E HP NC NPT | 180L0127 | 30 (8) | 210 (3000) | 90 (194) | NPT 3/8 | 3.5 (51) | 1.2 (2.6) | Ø18.1 | 1 |
| VDHT 3/8 E NO NPT | 180L0205 | 30 (8) | 160 (2400) | 90 (194) | NPT 3/8 | 3.5 (51) | 1.2 (2.6) | Ø18.1 | 1 |
| VDHT 1/2 E HP NC NPT | 180L0128 | 60 (16) | 210 (3000) | 90 (194) | NPT 1/2 | 3.5 (51) | 1.2 (2.6) | Ø18.1 | 1 |
| VDHT 1/2 E NO NPT | 180L0209 | 60 (16) | 160 (2400) | 90 (194) | NPT 1/2 | 3.5 (51) | 1.2 (2.6) | Ø18.1 | 1 |

2/2 - way solenoid valve, type VDHT 1" ED and EA NPT

Opening / Closing time NC (at Qnom) 500–900 ms / 1200–2000 ms



| Description | Code no. | Q nom l/min. (gpm) | p max barg (psig) | T max °C (°F) | Con- nec- tion | Operating pressure/ barg (psig) | Weight excl. coil kg (lbs) | Piston Ø mm | Orifice kit |
|--------------------|----------|--------------------------|-------------------------|------------------|----------------------|---------------------------------------|----------------------------------|-------------------|----------------|
| VDHT 1 ED NC NPT N | 180L1013 | 150 (40) | 140 (2000) | 90 (194) | NPT 1 | 3.5 (51) | 2.6 (5.0) | Ø35.1 | 1 |
| VDHT 1 ED NO NPT N | 180L1035 | 150 (40) | 140 (2000) | 90 (194) | NPT 1 | 3.5 (51) | 2.6 (5.0) | Ø35.1 | 1 |
| VDHT 1 EA NC NPT N | 180L1004 | 150 (40) | 140 (2000) | 90 (194) | NPT 1 | 3.5 (51) | 2.6 (5.0) | Ø35.1 | 1 |

Data sheet | Solenoid valve VDHT - NPT Thread

5. Overview block valves 2/2 - way solenoid block valve, type VDHT B2, B3, B4 NPT

Opening / Closing time NC (at Qnom) 500–900 ms / 1200–2000 ms



| Description | Code no. | Q nom l/m (gpm) | p max barg (psig) | T max °C (°F) | Connection | Operating pressure/ barg (psig) | Weight excl. coil kg (lbs) | Piston Ø mm | Orifice kit |
|------------------------|----------|-----------------------|-------------------------|------------------|-----------------|---------------------------------------|----------------------------------|-------------------|----------------|
| VDHT B2 1/2 NC NPT | 180L0269 | 60 (16) | 160 (2400) | 90 (194) | NPT 1/2-NPT 1/2 | 3.5 (51) | 3.7 (8.2) | Ø18.1 | 1 |
| VDHT B2 1/2 NC-NO NPT | 180L0177 | 60 (16) | 160 (2400) | 90 (194) | NPT 1/2-NPT 1/2 | 3.5 (51) | 3.7 (8.2) | Ø18.1 | 1 |
| VDHT B3 3/4-1/2 NC NPT | 180L0255 | 60 (16) | 160 (2400) | 90 (194) | NPT 3/4-NPT 1/2 | 3.5 (51) | 5.5 (12.2) | Ø18.1 | 1 |
| VDHT B4 3/4-1/2 NC NPT | 180L0207 | 60 (16) | 160 (2400) | 90 (194) | NPT 3/4-NPT 1/2 | 3.5 (51) | 7.4 (16.3) | Ø18.1 | 1 |

2/2 - way solenoid block valve, type VDHT BL2S, BL2S, BL3 NPT

Opening / Closing time NC (at Qnom) 500–900 ms / 1200–2000 ms



| Description | Code no. | Q nom l/m (gpm) | p max barg (psig) | T max °C (°F) | Connection | Operating pressure/ barg (psig) | Weight excl. coil kg (lbs) | Piston Ø mm | Orifice kit |
|-------------------------|----------|-----------------------|-------------------------|------------------|----------------------|---------------------------------------|----------------------------------|-------------------|----------------|
| VDHT BL2S 1 NC NO NPT N | 180L1006 | 150 (40) | 140 (2000) | 90 (194) | NPT 1 - NPT 1 | 3.5 (51) | 7 (15.5) | Ø35.1 N | 1 |
| VDHT BL2S 1 NC NPT N | 180L1001 | 150 (40) | 140 (2000) | 90 (194) | NPT 1 - NPT 1 | 3.5 (51) | 7 (15.5) | Ø35.1 N | 1 |
| VDHT BL2S 1 NC-NO NPT N | 180L0296 | 150 (40) | 140 (2000) | 90 (194) | NPT 1 - NPT 1 | 3.5 (51) | 7 (15.5) | Ø35.1 N | 1 |
| VDHT BL3 3/4 NC NPT N | 180L1010 | 120 (32) | 140 (2000) | 90 (194) | NPT 3/4 - NPT 3/4 | 3.5 (51) | 10.5 (23.2) | Ø35.1 N | 1 |

2/2 way cetop 3 valves , BSP

Opening / Closing time NC (at Qnom) 100–125 ms / 200–300 ms



| Description | Code no. | Q nom l/m (gpm) | p max barg (psig) | T max °C (°F) | Connection | Operating pressure/ barg (psig) | Weight excl. coil kg (lbs) | Piston Ø mm | Orifice kit |
|---------------|----------|-----------------------|-------------------------|------------------|------------|---------------------------------------|----------------------------------|-------------------|----------------|
| VDHT 30 EC NC | 180L0096 | 30 (8) | 160 (2400) | 90 (194) | Cetop 3 | 3.5 (51) | 1 (2.2) | Ø18.1 | 1 |
| VDHT 30 EC NO | 180L0097 | 30 (8) | 160 (2400) | 90 (194) | Cetop 3 | 3.5 (51) | 1 (2.2) | Ø18.1 | 1 |

Cetop 3 block for 2/2 way valves



| Description | Code no. | Q nom l/m (gpm) | p max barg (psig) | T max °C (°F) | Connection | Operating pressure/ barg (psig) | Weight kg (lbs) | Piston Ø mm | Orifice kit |
|--|----------|-----------------------|-------------------------|------------------|------------|---------------------------------------|--------------------|-------------------|----------------|
| Cetop 3 block f. 2 VDH or VDHT 30 EC3 | 180L0062 | 30 (8) | 160 (2400) | N/A | BSP 3/8" | – | 1.8 (4.0) | – | – |
| Cetop 3 block f. 3 VDH or VDHT 30 EC3 | 180L0063 | 30 (8) | 160 (2400) | N/A | BSP 3/8" | – | 2.6 (5.7) | – | – |
| Cetop 3 block f. 4 VDH or VDHT 30 EC3 | 180L0064 | 30 (8) | 160 (2400) | N/A | BSP 3/8" | – | 3.4 (7.5) | – | – |

Data sheet | Solenoid valve VDHT - NPT Thread

6. Overview coils and accessories



| Description | Code no. HPP | Voltage | Power | Voltage tolerance | T max Ambiente °C (°F) | Connection | Enclosure | Weight kg (lbs) |
|---|--------------|-----------|-------|-------------------|------------------------|-------------|-----------|-----------------|
| Type BB / Without LED / for Hirschmann plug / excl. plug | | | | | | | | |
| Coil 240V-50Hz-10W-IP65 | 018F7906 | 240V 50Hz | 11W | +/- 10-15% | 80 (176) | DIN 43650-A | IP65 | 0.2 (0.5) |
| Coil 24V-50Hz-10W-IP65 | 018F7905 | 24V 50Hz | 11W | | 80 (176) | DIN 43650-A | IP65 | 0.2 (0.5) |
| Coil 240V-50Hz-10W-IP65 | 018F7928 | 24V DC | 16W | +/- 10% | 50 (122) | DIN 43650-A | IP65 | 0.2 (0.5) |

| Type BE / Without LED / incl. Terminal box | | | | | | | | | |
|---|----------|-------------------|---------|------------|----------|--------------|--------------|-----------|-----------|
| Coil 240V-60Hz-10W-IP67 | 018F7926 | 240V 60Hz | 15W | +/- 10-15% | 80 (176) | Terminal box | IP67 | 0.3 (0.7) | |
| Coil 240V-50Hz-10W-IP67 | 018F7924 | 240V 50Hz | 11W | | 80 (176) | Terminal box | IP67 | 0.3 (0.7) | |
| Coil 220-230V-50Hz-10W-IP67 | 018F7921 | 220-230 V 50 Hz | 12W | | 80 (176) | Terminal box | IP67 | 0.3 (0.7) | |
| Coil 220-230V-50-60Hz-10W-IP67 | 018F7919 | 220-230 V 50-60Hz | 17W 14W | | 50 (122) | Terminal box | IP67 | 0.3 (0.7) | |
| Coil 220V-60Hz-10W-IP67 | 018F7925 | 220V 60Hz | 13W | | 80 (176) | Terminal box | IP67 | 0.3 (0.7) | |
| Coil 200V-50-60Hz-10W-IP67 | 018F7929 | 200V 50/60Hz | 10W | | 80 (176) | Terminal box | IP67 | 0.3 (0.7) | |
| Coil 110V-50-60Hz-10W-IP67 | 018F7923 | 110V 50-60Hz | 15W 13W | | 50 (122) | Terminal box | IP67 | 0.3 (0.7) | |
| Coil 24V-60Hz-10W-IP67 | 018F7922 | 24V 60Hz | 14W | | 80 (176) | Terminal box | IP67 | 0.3 (0.7) | |
| Coil 24V-50Hz-10W-IP67 | 018F7920 | 24V 50Hz | 12W | | 80 (176) | Terminal box | IP67 | 0.3 (0.7) | |
| Coil 42V-50Hz-10W-IP67 | 018F7927 | 42V 50Hz | 10W | | 80 (176) | Terminal box | IP67 | 0.3 (0.7) | |
| Coil 24V-DC-18W-IP67 | 018F7914 | 24V DC | 16W | | +/- 10% | 50 (122) | Terminal box | IP67 | 0.3 (0.7) |
| Coil 12V-DC-18W-IP67 | 018F7913 | 12V DC | 15W | | +/- 10% | 50 (122) | Terminal box | IP67 | 0.3 (0.7) |

| Type BE / Without LED / for Hirschmann plug / prepare for terminal box | | | | | | | | |
|---|----------|---------------|-----|------------|----------|--------------|------|-----------|
| Coil 200V-50-60Hz-10W-IP67 | 018F7918 | 200V 50/60 Hz | 10W | +/- 10-15% | 50 (122) | Terminal box | IP67 | 0.2 (0.5) |
| Coil 240V-50Hz-10W-IP67 | 018F7917 | 240V 50 Hz | 11W | | 80 (176) | Terminal box | IP67 | 0.2 (0.5) |
| Coil 24V-DC-18W-IP67 | 018F7912 | 24V DC | 16W | +/- 10% | 50 (122) | Terminal box | IP67 | 0.3 (0.7) |

| Type BY / Without LED / for Hirschmann plug / excl. plug / UL Recognised | | | | | | | | |
|---|----------|-------------------|---------|------------|----------|------------|------|-----------|
| Coil 208-240V-50-60Hz-14W-IP65-UL | 018F7908 | 208-240V 50/60 Hz | 16W 14W | +/- 10-15% | 50 (122) | DIN43650-A | IP65 | 0.2 (0.5) |
| Coil 110V-50-60Hz-14W-IP65-UL | 018F7909 | 110V 50-60 Hz | 14W | | 50 (122) | DIN43650-A | IP65 | 0.2 (0.5) |
| Coil 24V-50-60Hz-14W-IP65-UL | 018F7907 | 24V 50-60 Hz | 14W 12W | | 50 (122) | DIN43650-A | IP65 | 0.2 (0.5) |

| Type BE / excl. LED / Incl. cable | | | | | | | | |
|--|----------|----------|-----|------------|----------|-------------|------|-----------|
| Coil 48V-50-60Hz-10W-IP67-4m cable | 018F7915 | 48V 50Hz | 10W | +/- 10-15% | 80 (176) | 4 m.. cable | IP67 | 0.3 (0.7) |

| Type BO / Ex mb II T4 Gb - 2014/34/EU (ATEX) EN60079-D-2012+A11:2013, EN60079-D:2018, EN60079-18:2015 + A1:2017, EN60730-1:2011¹⁾ | | | | | | | | |
|---|------------------------|---------------|-----|-------|----------|------------|------|-----------|
| Coil Ex mb IIC T4 24V-50/60 Hz 10W-IP67 | 018Z6595 ²⁾ | 24V 50/60 Hz | 10W | ±10% | 60 (140) | 5 m. cable | IP67 | 0.6 (1.4) |
| Coil Ex mb IIC T4 110V-50/60 Hz 10W-IP67 | 018Z6593 ²⁾ | 110V 50/60 Hz | 10W | ±10% | 60 (140) | 5 m. cable | IP67 | 0.6 (1.4) |
| Coil Ex mb IIC T4 230V-50/60 Hz 10W-IP67 | 018Z659 ²⁾ | 230V 50/60 Hz | 10W | ±10% | 60 (140) | 5 m. cable | IP67 | 0.6 (1.4) |
| Coil Ex mb IIC T4 240V-50/60 Hz 10W-IP67 | 018Z6591 ²⁾ | 240V 50/60 Hz | 10W | ±10% | 60 (140) | 5 m. cable | IP67 | 0.6 (1.4) |
| Coil Ex mb IIC T4 Gb 24V DC - IP67-10W-IP67 | 018Z6596 ²⁾ | 24V DC | 10W | ± 10% | 60 (140) | 5 m. cable | IP67 | 0.6 (1.4) |

¹⁾ Due to physical dimensions of the ATEX coil, it is not possible to use these in combination with the HPP block valves (BL2 - 5)

²⁾ Code nos. to be ordered in Danfoss Sensing Solutions (PL04)

Data sheet | Solenoid valve VDHT - NPT Thread



042N1256



042N1278

| Connecting plug / Typ BY / excl. LED / for Hirschmann connection (DIN 43650-A) UL Recognised | | | | | | | | | |
|--|------------------------|---|----------|---|----------|----------|------|-----------|--|
| Plug EN175301-803 A PG9 | 042N1256 ¹⁾ | – | Excl LED | – | 125(257) | BE-BB-BY | IP67 | 0.1 (0.3) | |
| Plug EN175301-803 A PG8 | 042N1278 ¹⁾ | | Excl LED | | 90 (194) | BE-BB-BY | IP65 | 0.1 (0.3) | |



| Connecting plug / Typ BY / incl. LED / for Hirschmann connection (DIN 43650-A) UL Recognised | | | | | | | | | |
|--|------------------------|-----------|----------|---|----------|----------|------|-----------|--|
| Plug EN175301-803 A 230V AC/DC LED | 042N0265 ¹⁾ | 230V AC | Incl LED | – | 60 (140) | BE-BB-BY | IP65 | 0.1 (0.3) | |
| Plug EN175301-803 A 24V AC/DC LED + PACK | 042N0263 ¹⁾ | 24V AC/DC | Incl LED | – | 60 (140) | BE-BB-BY | IP65 | 0.1 (0.3) | |

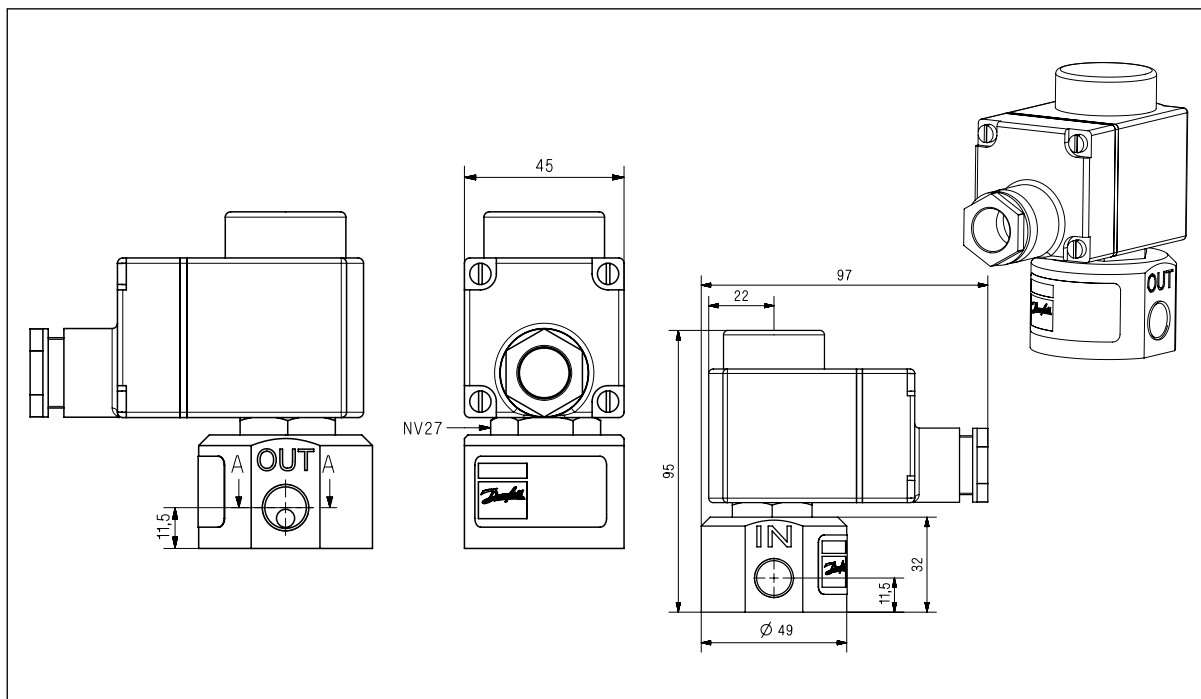


| Connection terminal box / Permanent magnet | | | | | | | | | |
|--|------------------------|-----------------------------|-----------------|---|----------|----|------|-----------|--|
| Terminal box excl. LED pack unit 100 Pe | 018Z0279 | – | Excl LED 100 PE | – | 80 (176) | BE | IP67 | 0.1 (0.3) | |
| Terminal box incl. LED 48-220V DC 24-250V-50Hz / only BE | 018Z0089 ¹⁾ | 48-220V DC24 -250V 50/60 Hz | Incl. LED | – | 80 (176) | BE | IP67 | 0.1 (0.3) | |
| Permanent magnet | 180Z0212 | for testing | – | – | – | – | – | 0.3 (0.7) | |

¹⁾ Code nos. to be ordered in Danfoss Sensing Solutions (PL04)

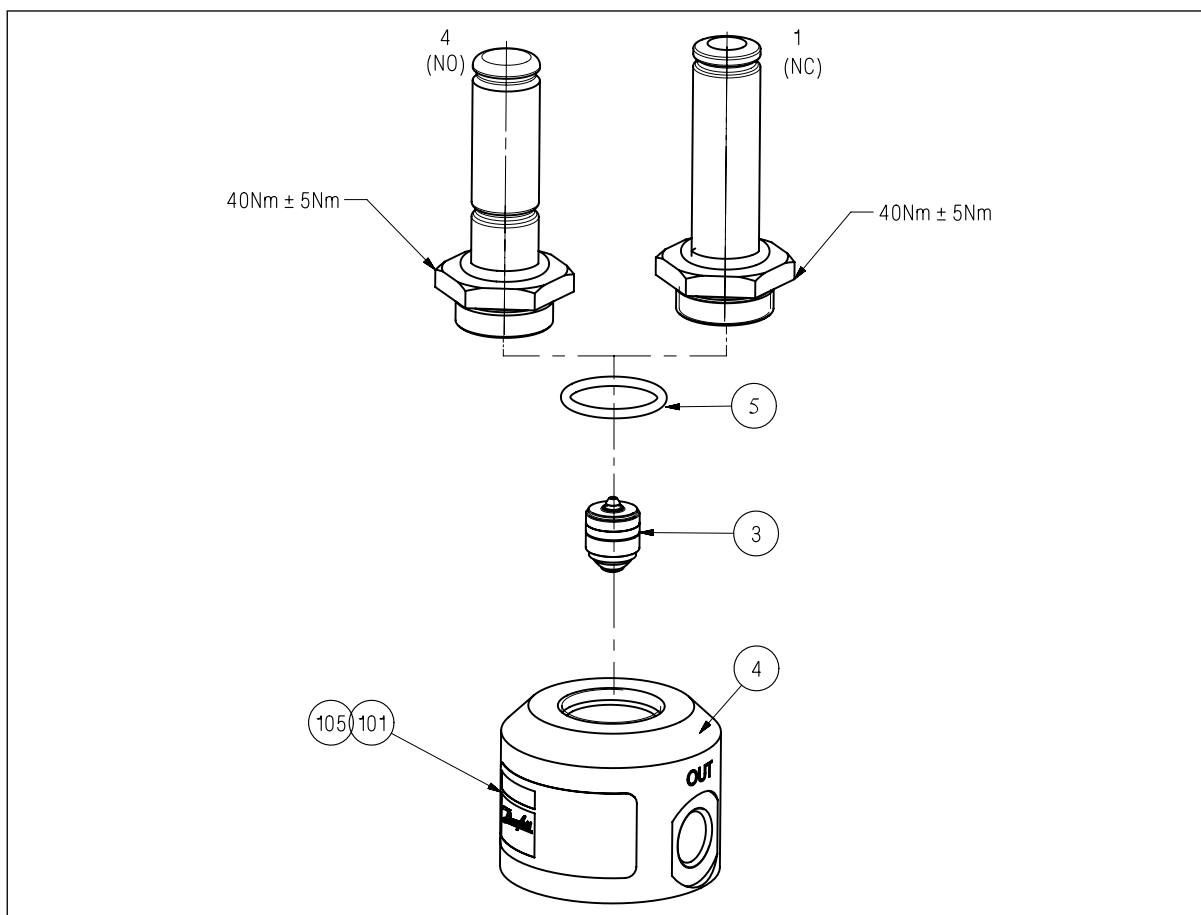
7. VDHT drawing spare part

VDHT 1/4 E
Drawings
Spare parts



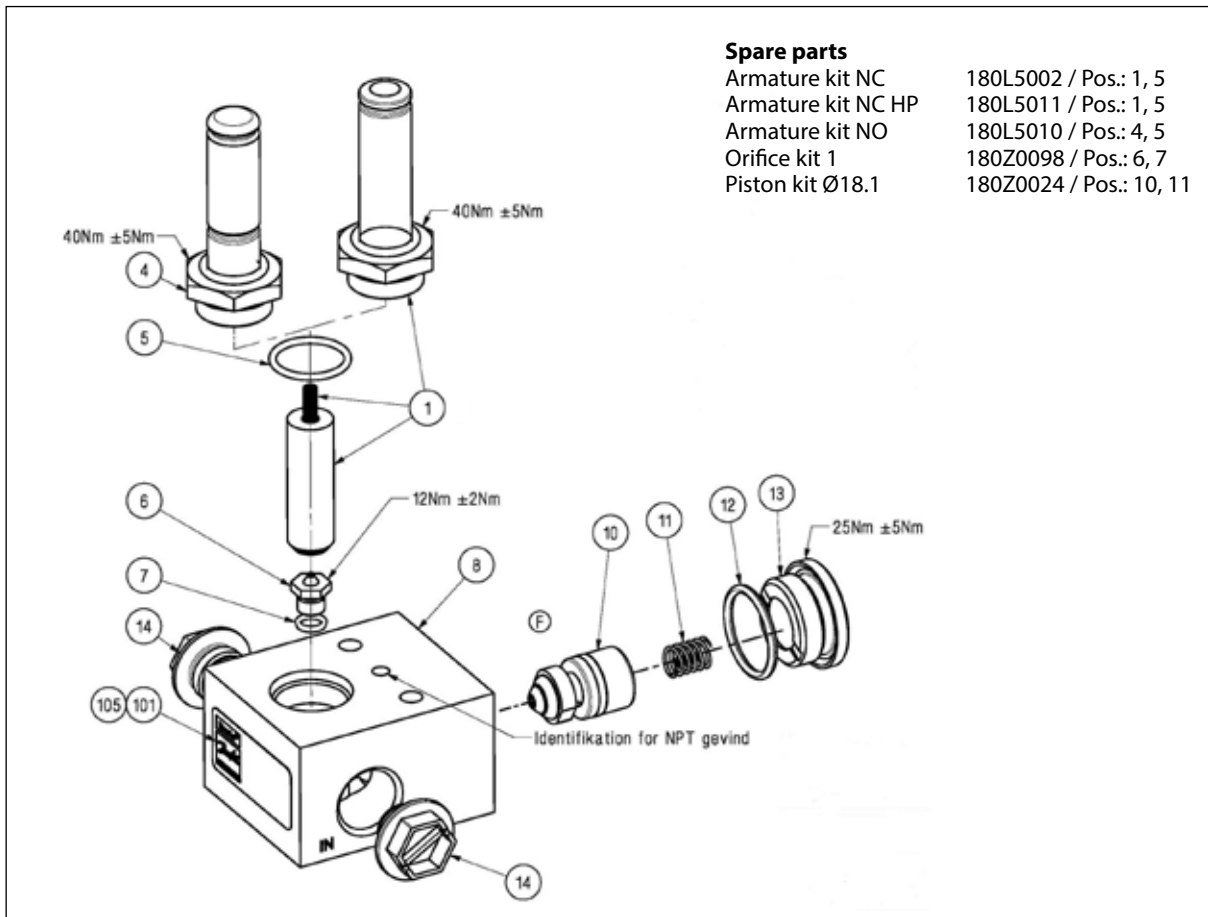
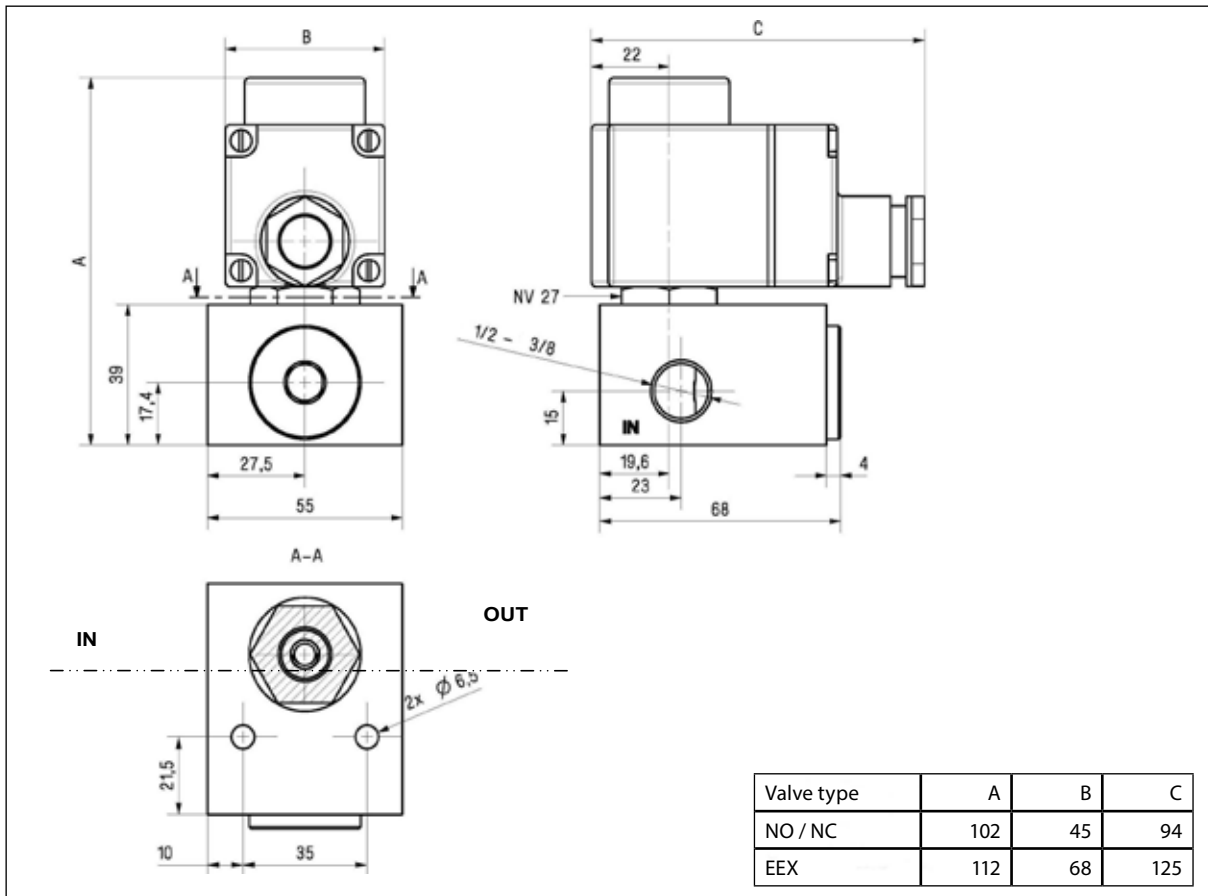
Spare parts

| | |
|--------------------------|-----------------------|
| Armature kit NC | 180L5002 / Pos.: 1, 5 |
| Armature kit NO VDHT 1/4 | 180L5013 / Pos.: 4,5 |
| Piston kit Ø11.9 | 180Z0251 / Pos.: 3 |



Data sheet | Solenoid valve VDHT - NPT Thread

VDHT 3/8 E
VDHT 1/2 E
Drawings
Spare parts

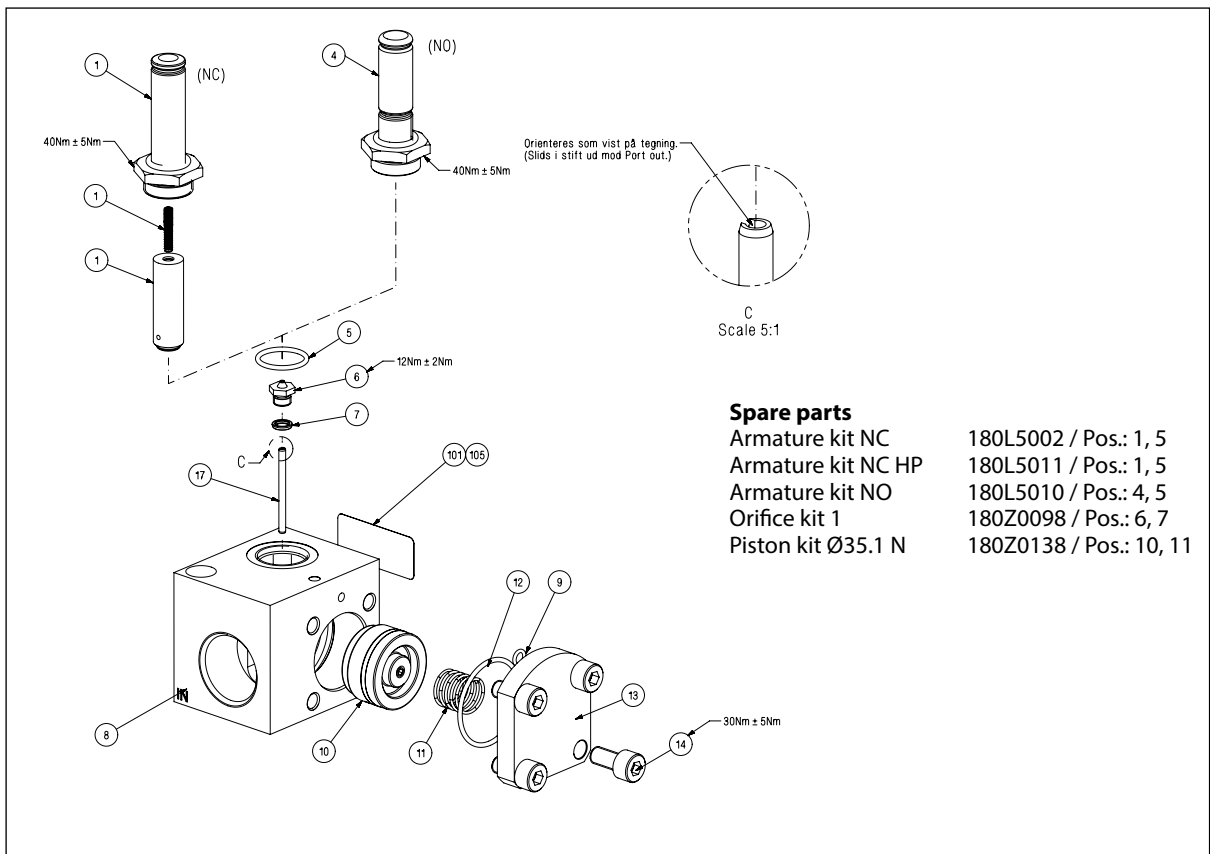
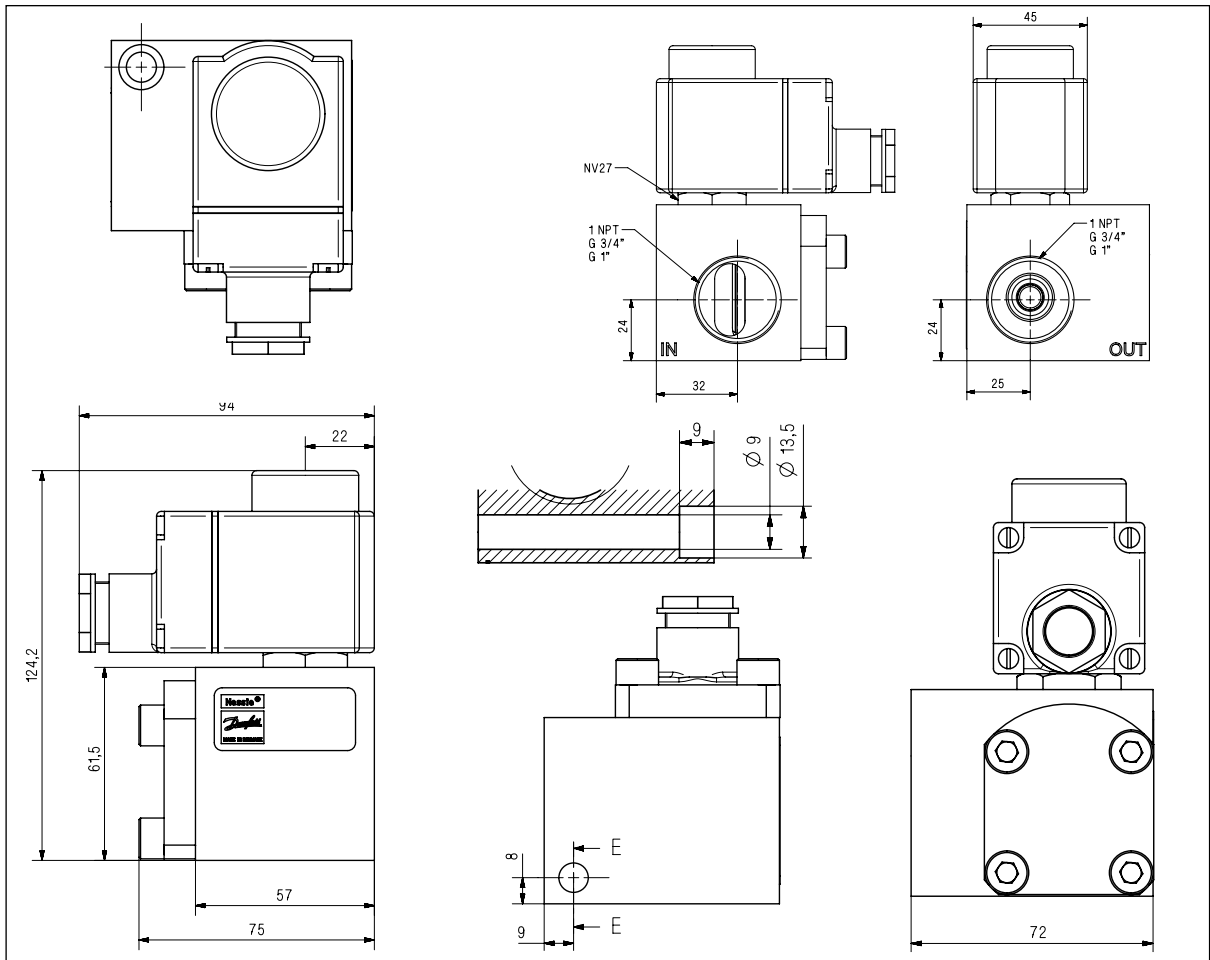


Spare parts

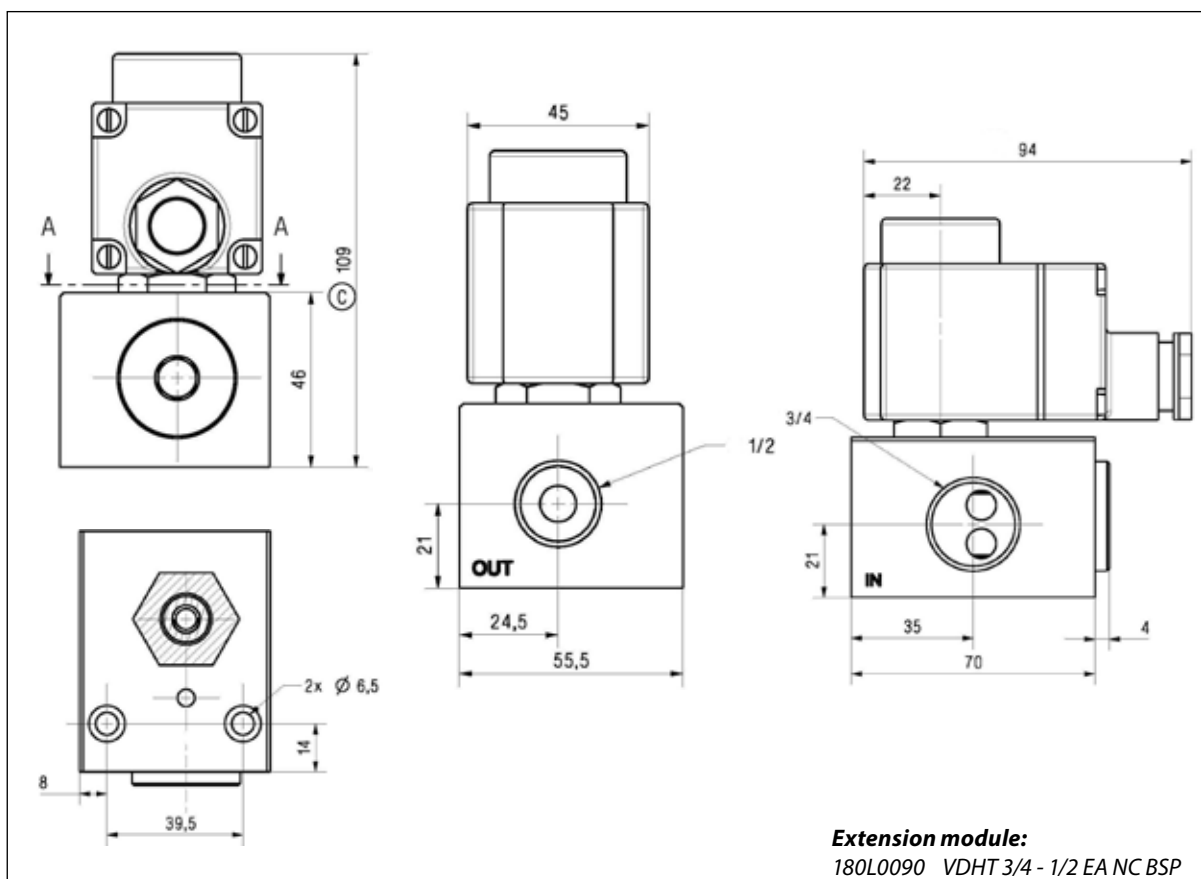
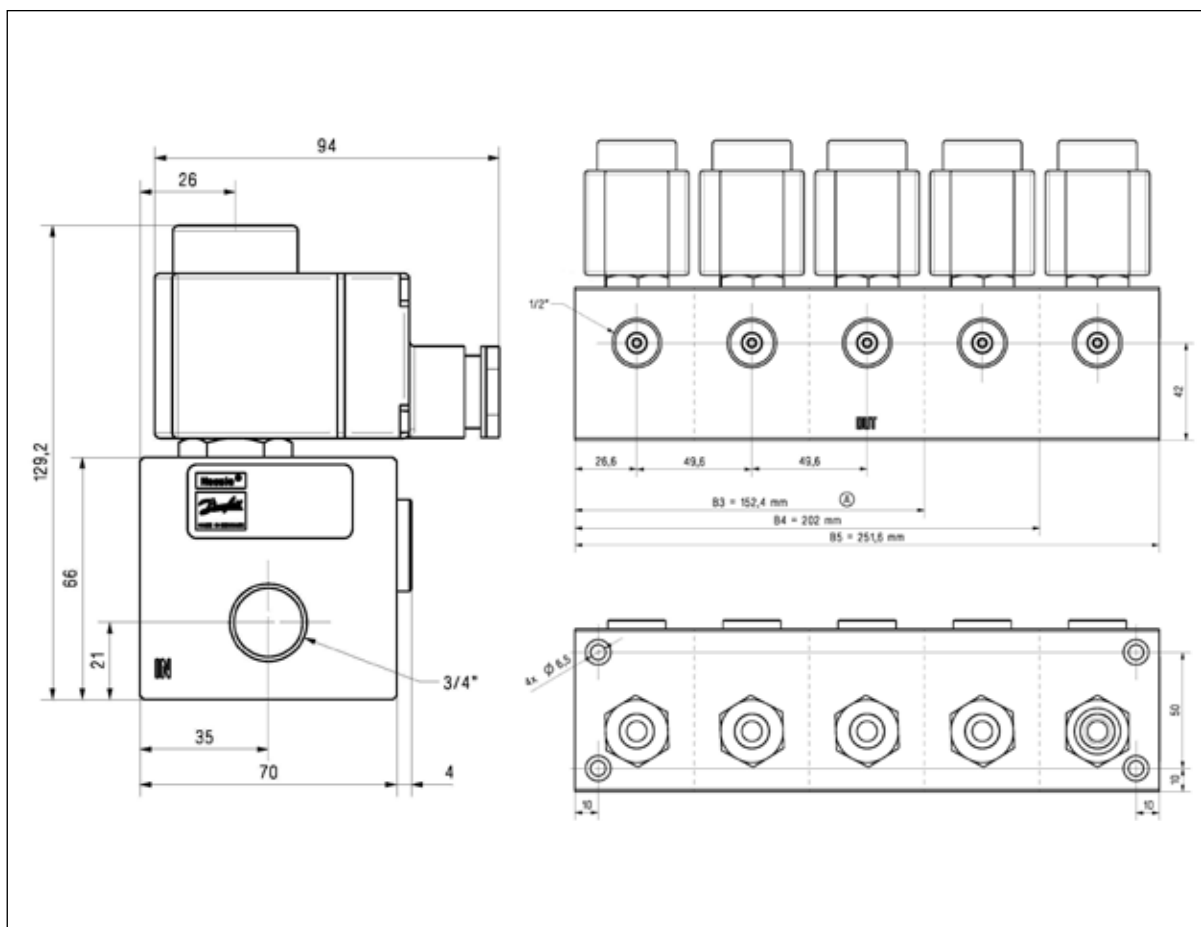
- Armature kit NC 180L5002 / Pos.: 1, 5
- Armature kit NC HP 180L5011 / Pos.: 1, 5
- Armature kit NO 180L5010 / Pos.: 4, 5
- Orifice kit 1 180Z0098 / Pos.: 6, 7
- Piston kit $\phi 18.1$ 180Z0024 / Pos.: 10, 11

Data sheet | Solenoid valve VDHT - NPT Thread

VDHT 1 EA
Drawings
Spare parts

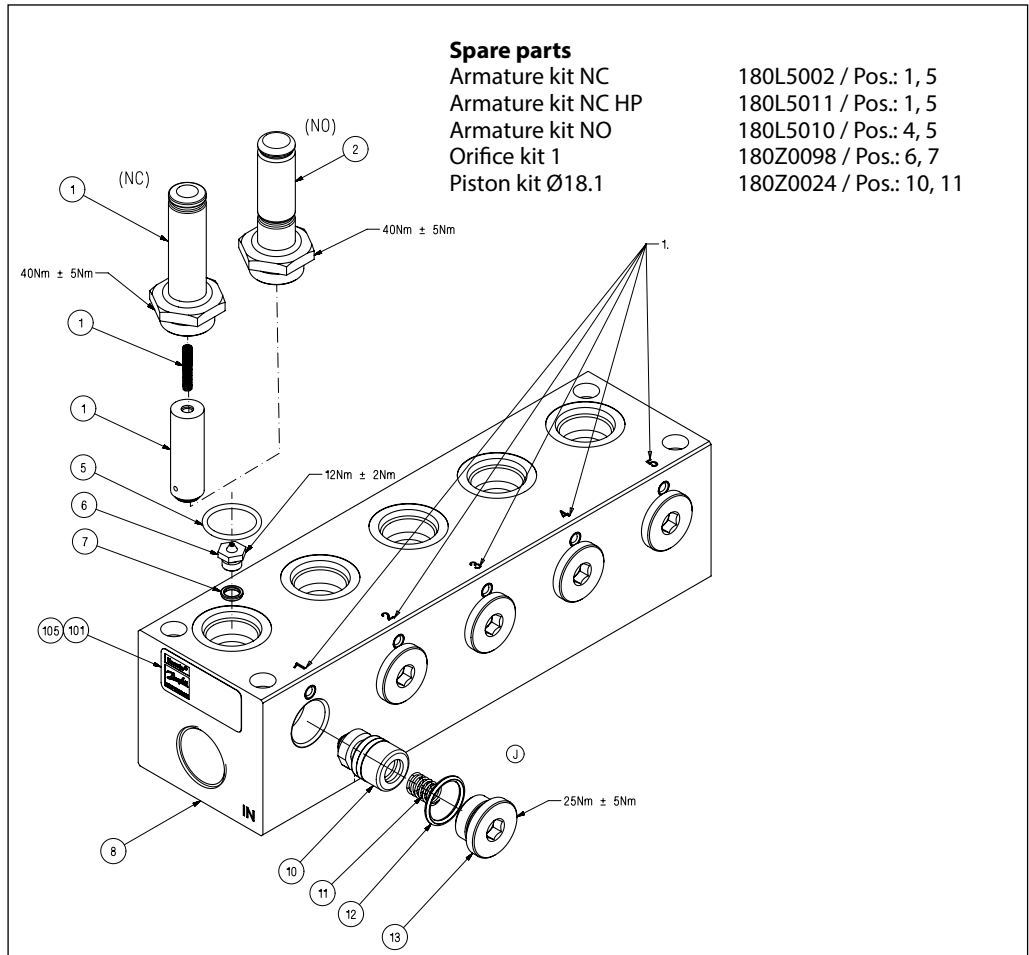
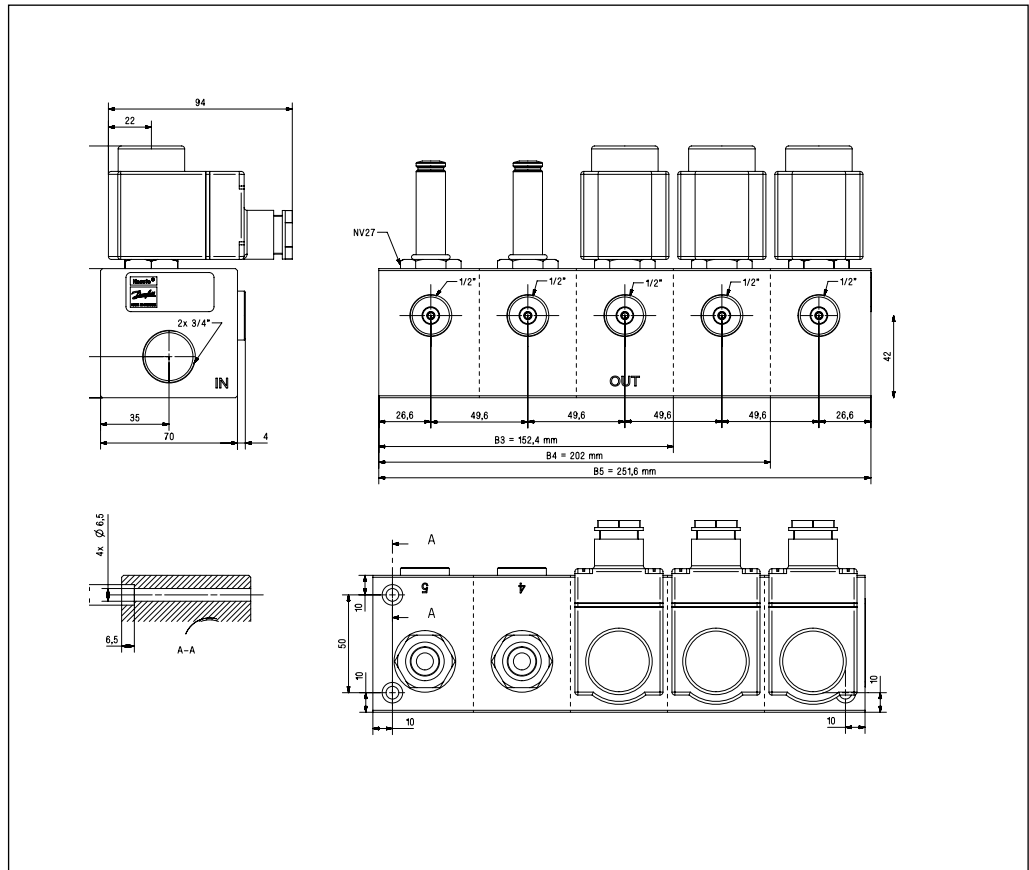


VDHT B
Drawings

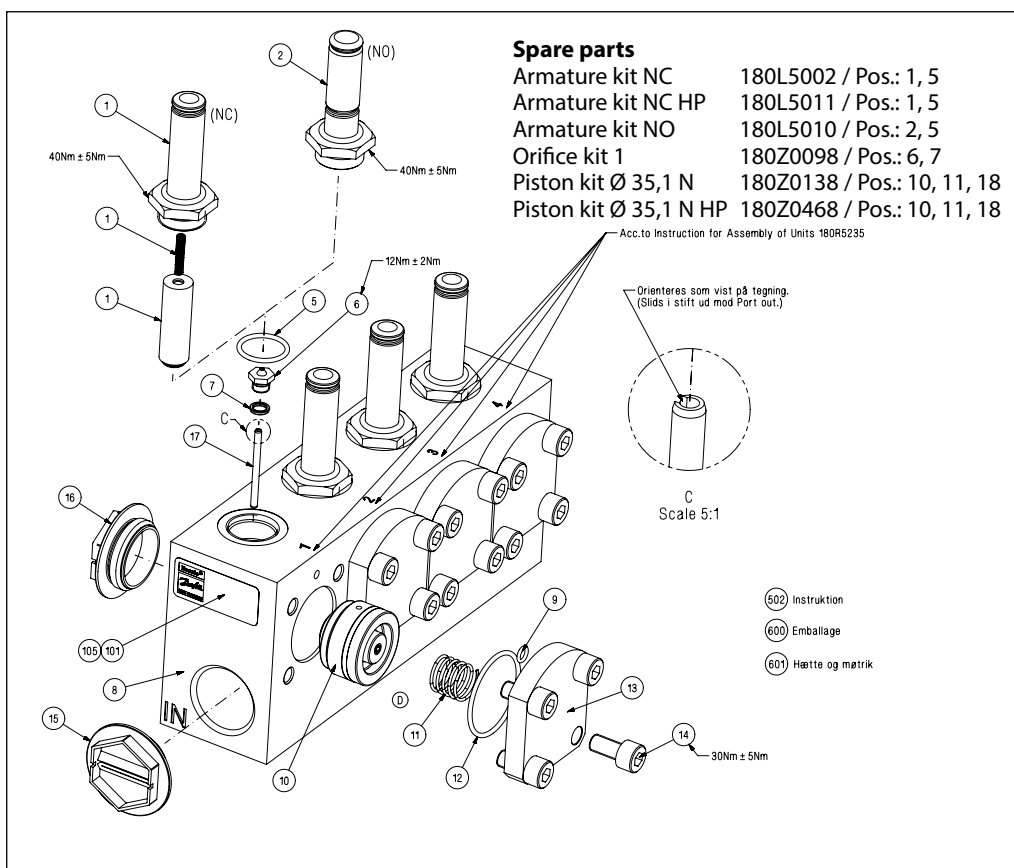
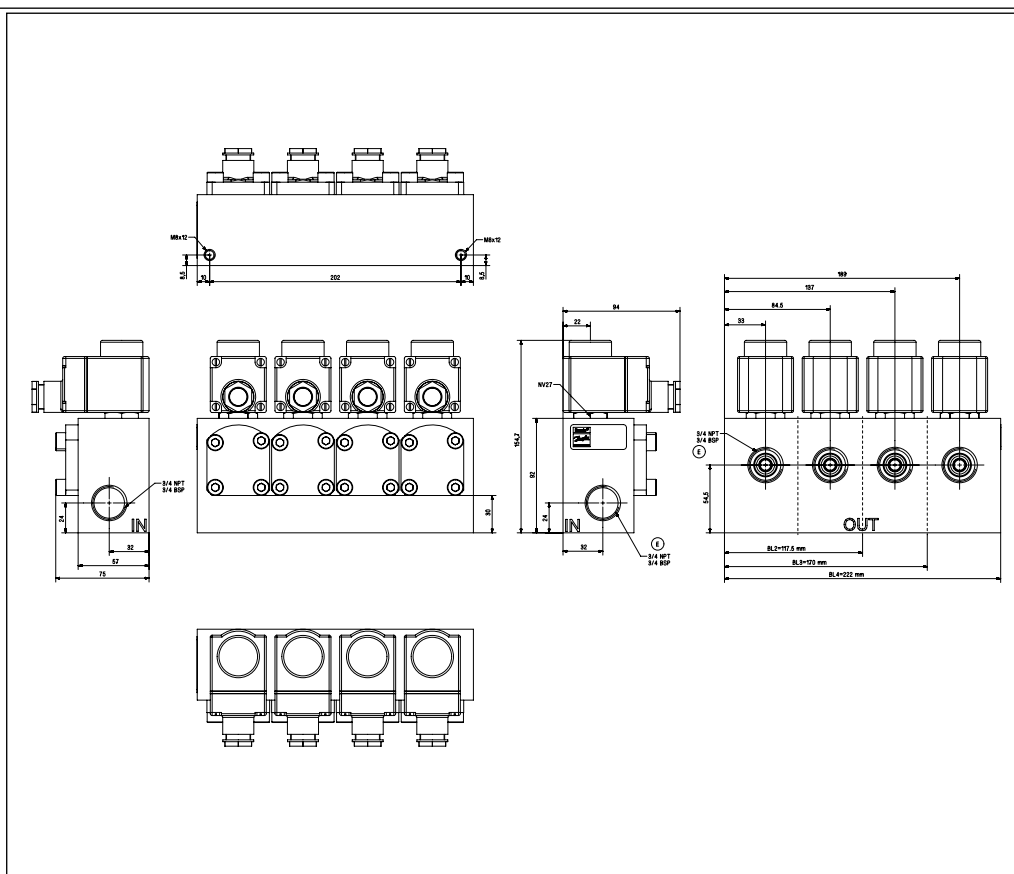


Data sheet | Solenoid valve VDHT - NPT Thread

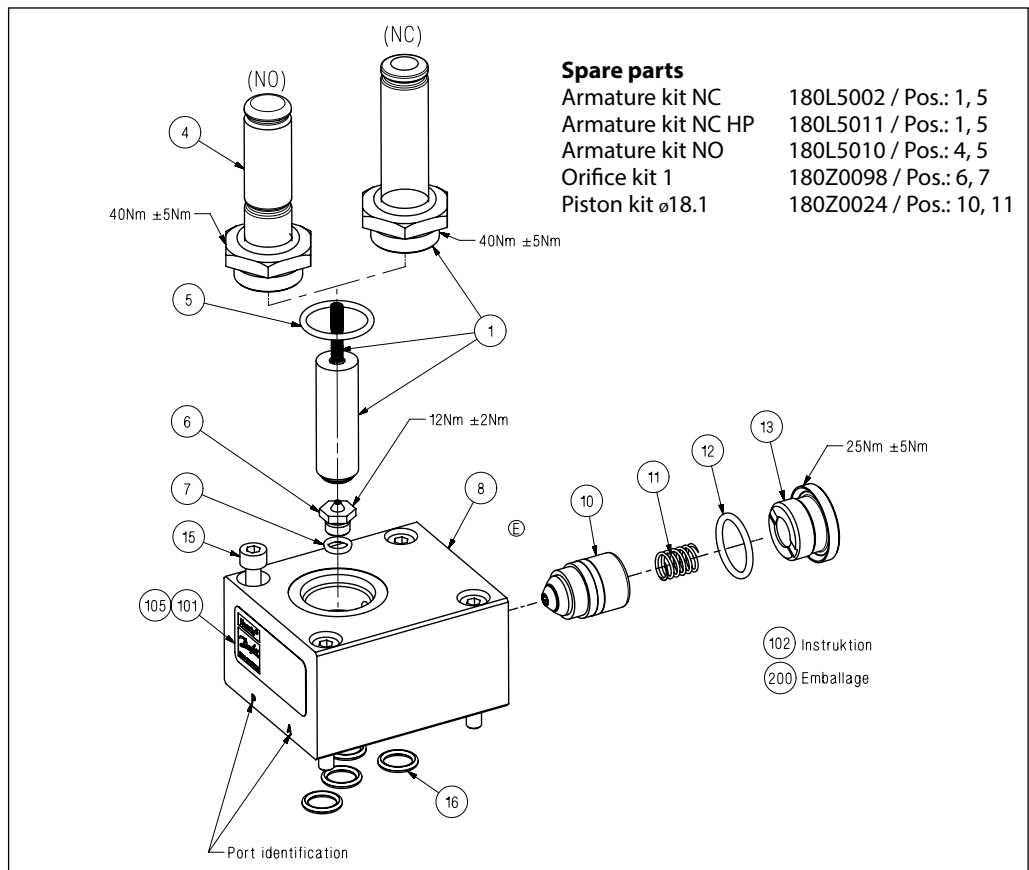
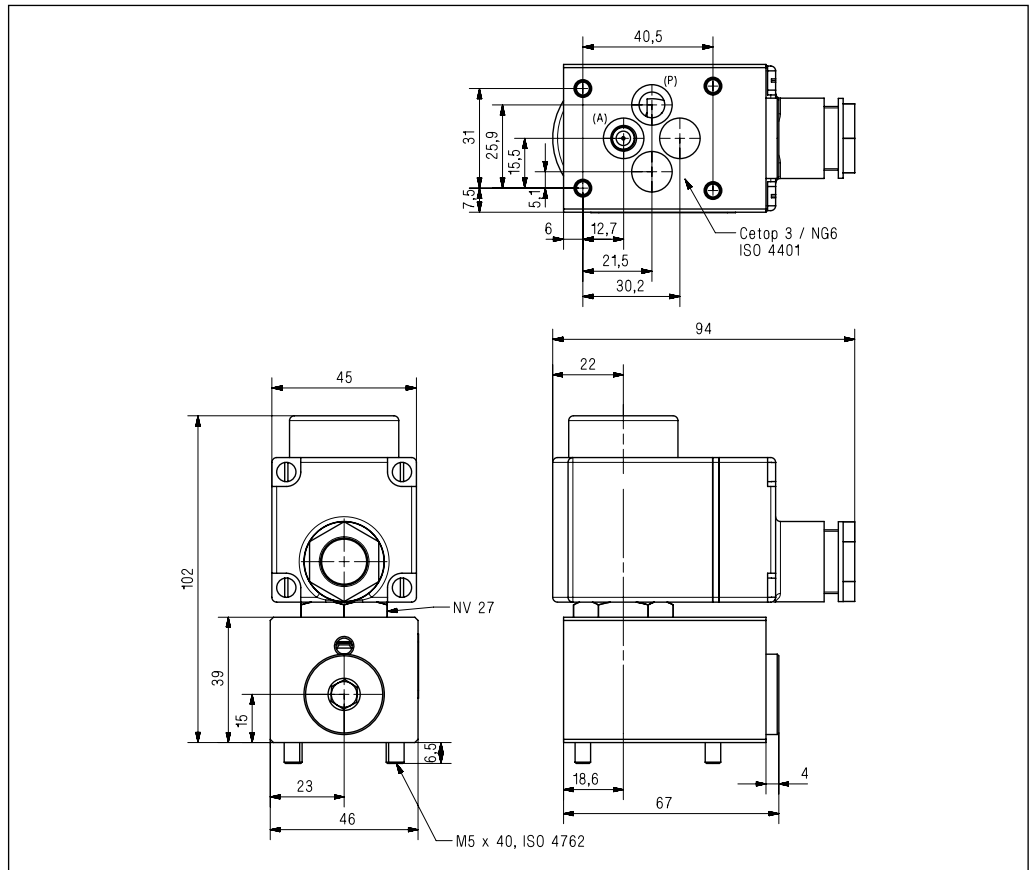
VDHT B
Spare parts



VDHT BL N
Drawings

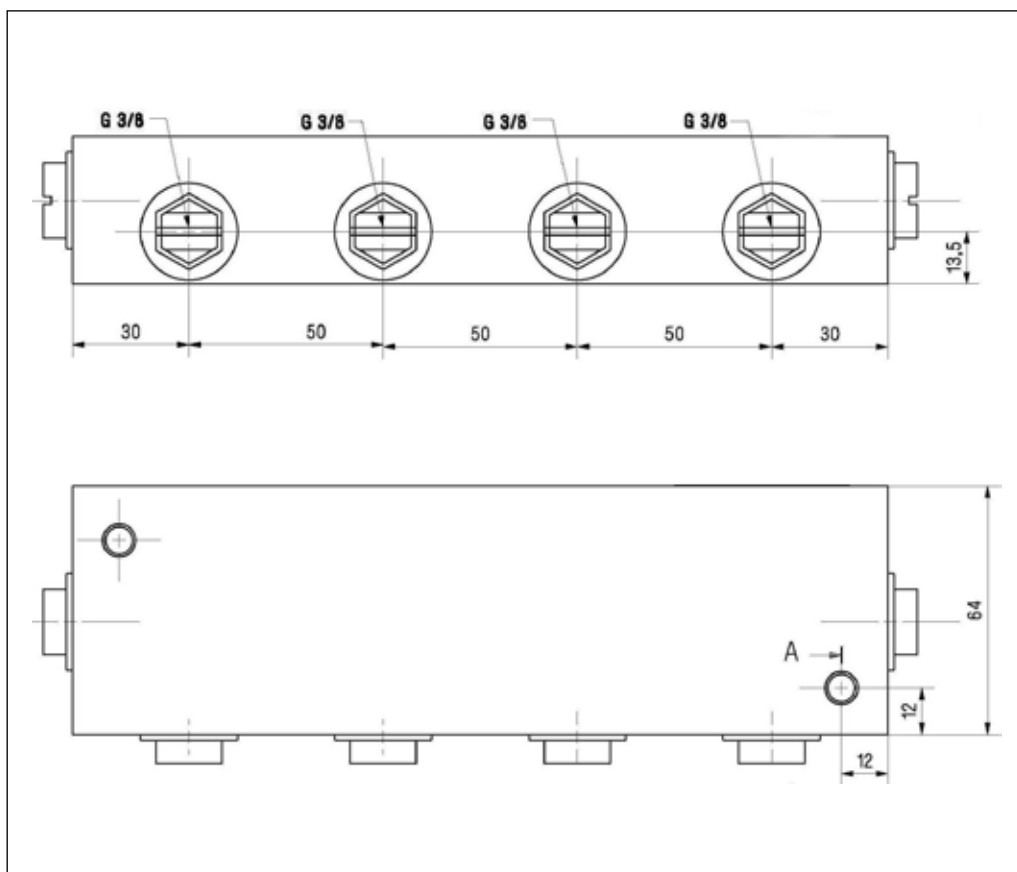


VDHT 30 EC3
Drawings



Data sheet | Solenoid valve VDHT - NPT Thread

Block for CETOP 3 Valves
Drawing



Data sheet | Solenoid valve VDHT - NPT Thread
8. Overview spare parts


| Valve type | Code no | Other | Pos. no. explosion drawing | T max °C (°F) | Weight kg (lbs) | Piston Ø mm | Orifice kit |
|--------------------------------|----------|-------|----------------------------|---------------|-----------------|-------------|-------------|
| Piston kit Ø11.9 VDHT 1/4 E | 180Z0251 | | 3 | 90 (194) | 0.09 (0.2) | Ø11.9 | - |



| | | | | | | | |
|--|----------|--|--------|----------|------------|-------|---|
| Piston kit Ø18.1 VDHT 3/8 VDHT B | 180Z0024 | | 10, 11 | 90 (194) | 0.09 (0.2) | Ø18.1 | - |
|--|----------|--|--------|----------|------------|-------|---|



| | | | | | | | |
|---------------------------------------|----------|--|--------|----------|-----------|-------|---|
| Piston kit Ø35.1 VDHT 1 VDHT BL | 180Z0026 | | 10, 11 | 90 (194) | 0.1 (0.4) | Ø35.1 | - |
|---------------------------------------|----------|--|--------|----------|-----------|-------|---|



| | | | | | | | |
|--|----------|----------|--------|----------|-----------|---------|---|
| Piston kit Ø35.1 N VDHT 3/4 to 1 N VDHT BL N | 180Z0138 | Slimline | 10, 11 | 90 (194) | 0.1 (0.4) | Ø35.1 N | - |
|--|----------|----------|--------|----------|-----------|---------|---|



| | | | | | | | |
|---|----------|----------|--------|----------|-----------|---------|---|
| Piston kit Ø35.1 HP N VDHT HP 3/4 to 1 VDHT BL HP N | 180Z0468 | Slimline | 10, 11 | 90 (194) | 0.1 (0.4) | Ø35.1 N | - |
|---|----------|----------|--------|----------|-----------|---------|---|



| | | | | | | | |
|--------------------|----------|----------|------|----------|------------|---|---|
| Orifice kit 1 VDHT | 180Z0098 | standard | 6, 7 | 90 (194) | 0.09 (0.2) | - | 1 |
|--------------------|----------|----------|------|----------|------------|---|---|



| | | | | | | | |
|---|----------|--|------|----------|-----------|---|---|
| Armature kit NC VDHT 1/4 to 1 VDHT B / BL / BL N | 180L5002 | | 1, 5 | 90 (194) | 0.1 (0.4) | - | - |
| Armature kit NC HP VDHT 3/8 to 1 VDHT B / BL / BL N | 180L5011 | | 1, 5 | 90 (194) | 0.1 (0.4) | - | - |



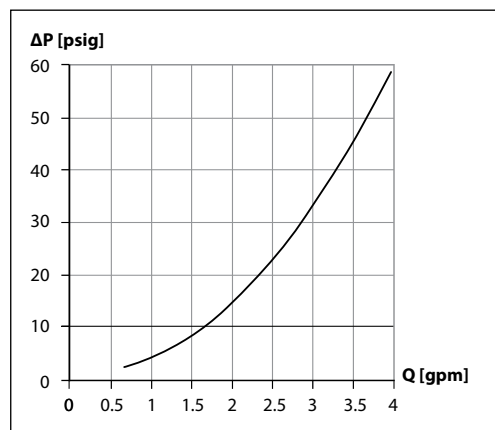
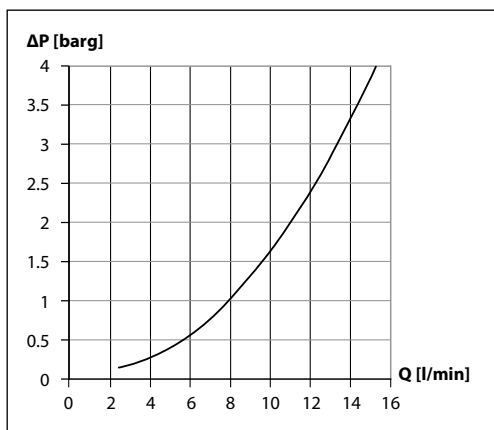
| | | | | | | | |
|--|----------|--|------|----------|-----------|---|---|
| Armature kit NO VDHT 3/8 to 1 VDHT B / BL / BL N | 180L5010 | | 4, 5 | 90 (194) | 0.1 (0.4) | - | - |
| Armature kit NO HP VDHT 1/4 VDHT B / BL / BL N | 180L5013 | | 4, 5 | 90 (194) | 0.1 (0.4) | - | - |

Data sheet | Solenoid valve VDHT - NPT Thread

9. Pressure losses p
INLET to OUTLET

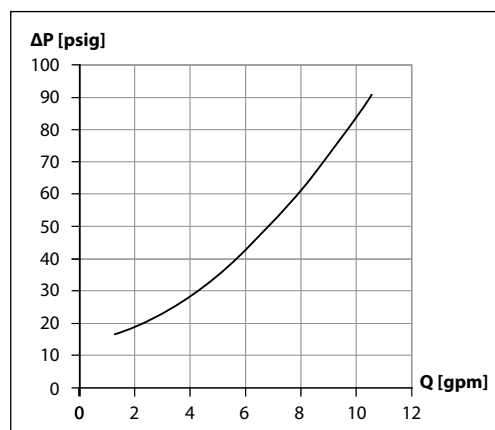
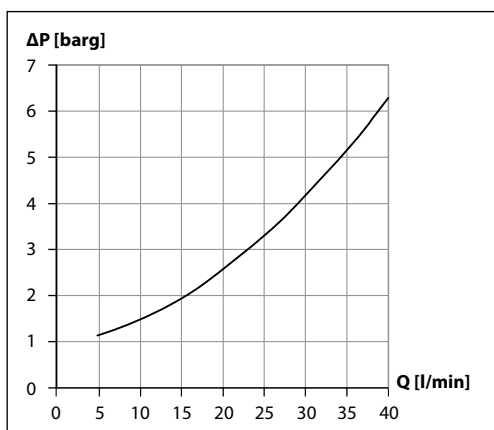
Pressure losses p
INLET to OUTLET

VDHT 1/4 E



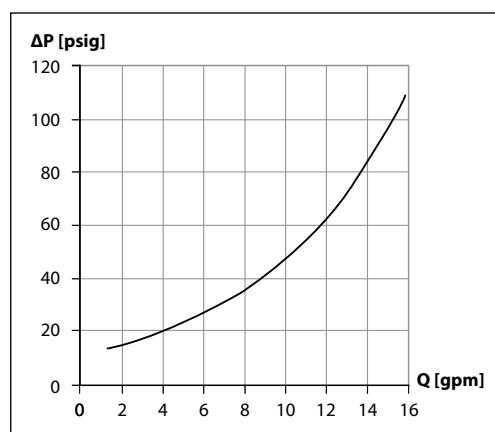
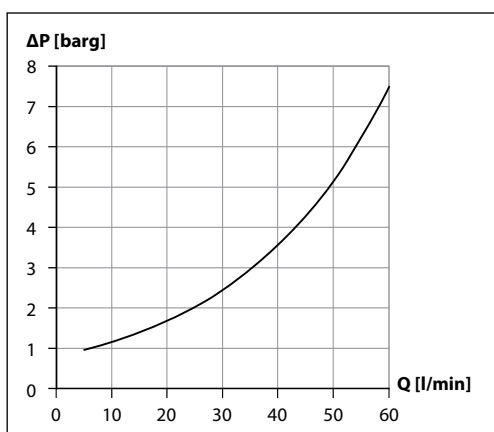
Pressure losses p
INLET to OUTLET

VDHT 3/8 E



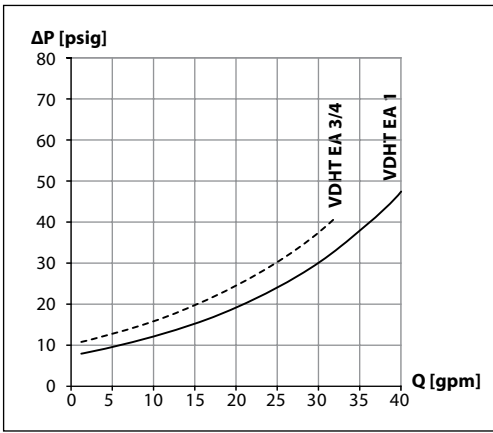
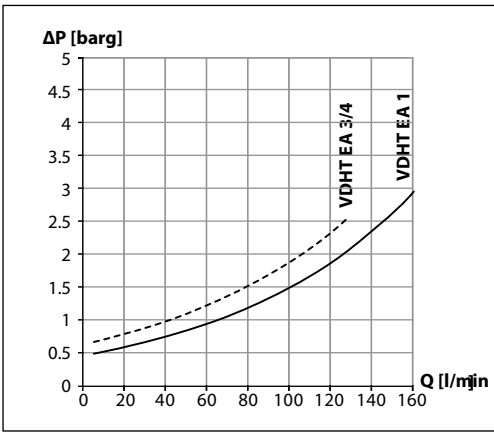
Pressure losses p
INLET to OUTLET

VDHT 1/2 E

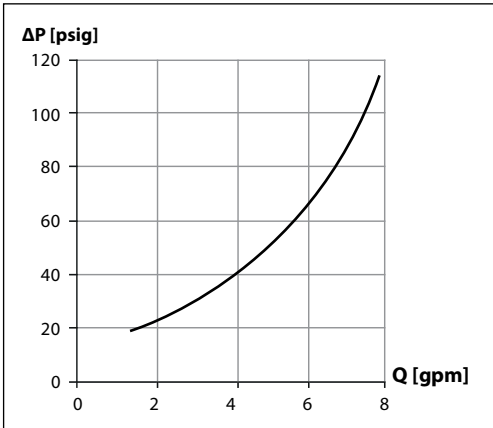
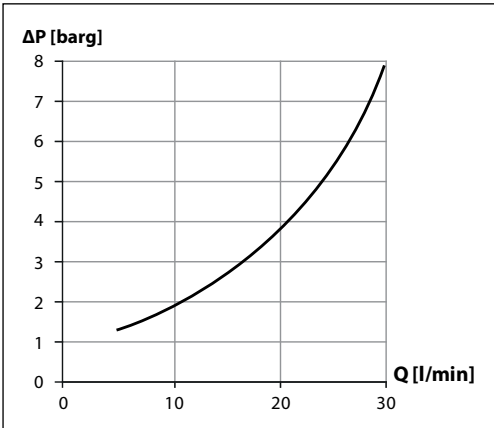


Data sheet | Solenoid valve VDHT - NPT Thread

Pressure losses p
INLET to OUTLET
VDHT EA 3/4
VDHT EA 1



Pressure losses p
INLET to OUTLET
VDHT 30 EC3



Danfoss A/S
High Pressure Pump
Nordborgvej 81
DK-6430 Nordborg
Denmark

Danfoss can accept no responsibility for possible errors in catalogues, brochures and other printed material. Danfoss reserves the right to alter its products without notice. This also applies to products already on order provided that such alterations can be made without subsequential changes being necessary in specifications already agreed. All trademarks in this material are property of the respective companies. Danfoss and the Danfoss logotype are trademarks of Danfoss A/S. All rights reserved.
