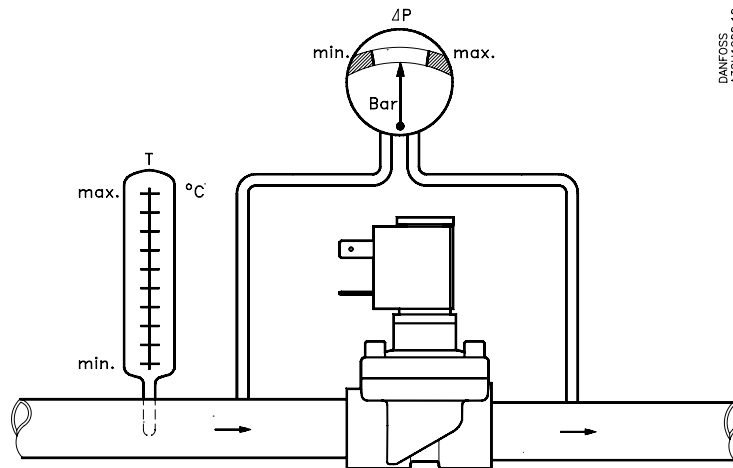
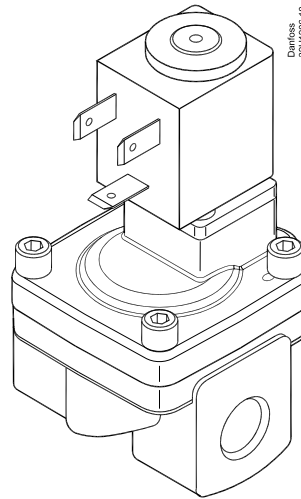


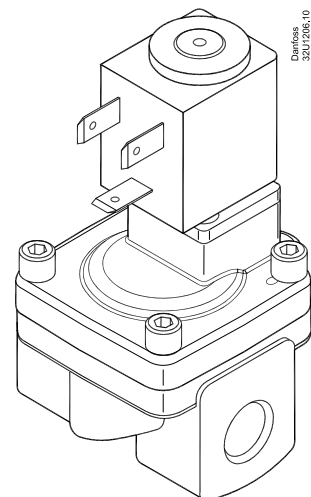
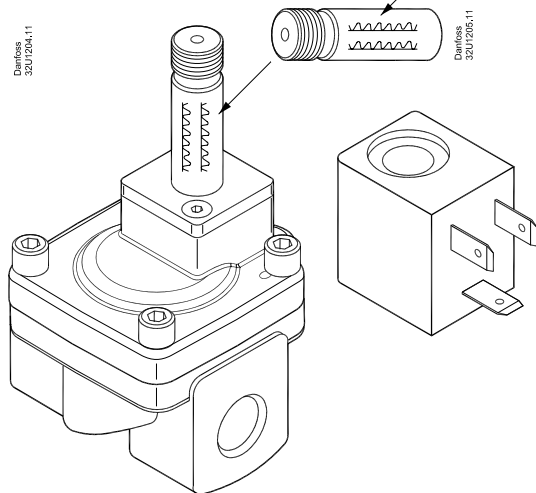
Type EV220A (NC/NO)



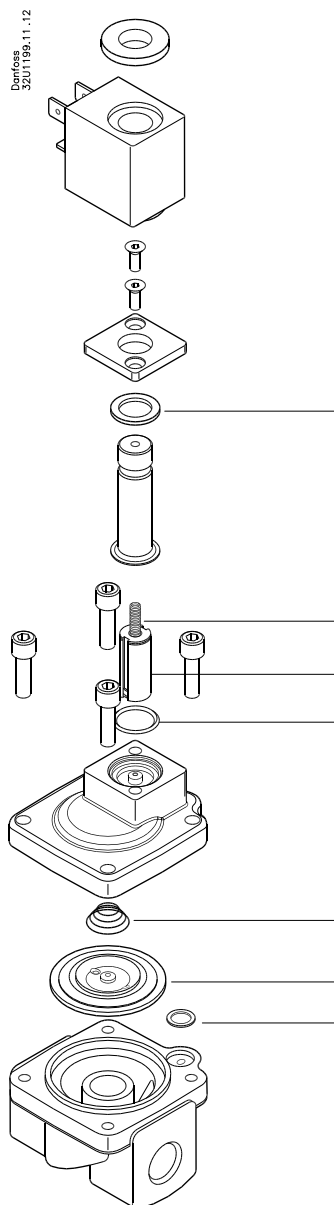
Seal Material	Media	Media temperatur		Coil type
		Min. [°C]	Max. [°C]	
EPDM	Water	-30	+100	AB, AM, AK
NBR	Water/Oil/Air	-10	+90	
FKM	Oil/Air	0	+100	AB, AM, AK
	Water	0	+60	

Valve EV220A (NC)	Coil			Type AB		Type AM		Type AK
		Seal material	Min. Δp	4.5 W AC	5.0 W DC	7.5 W AC	9.5 W DC	3.0 W DC
				Max. Δp (bar)				
6 - 10	EPDM	0.2	10	10	16	16	10	
	NBR	0.2	10	10	16	16	10	
	FKM	0.2	10	10	16	16	10	
12 - 14 - 18 - 22	EPDM	0.3	10	10	16	16	10	
	NBR	0.3	10	10	16	16	10	
	FKM	0.3	10	10	10	10	10	
32 - 40 - 50	EPDM	0.3	10	10	16	16	10	
	NBR	0.3	10	10	16	16	10	
	FKM	0.3	10	10	10	10	10	
EV220A (NO)								
6 - 10	NBR	0.2	-	-	16	16	-	
12 - 14 - 18 - 22	NBR	0.3	-	-	16	16	-	

EV220A 10 B G38 /
F NC 000 /
042UXXXX / WWY /
made in XXXXXXX



Spare parts kit for NC version



Type (NC)	Seal material	Code no.
6-10	EPDM	042U1000
	NBR	042U1001
	FKM	042U1002
12-14	EPDM	042U1003
	NBR	042U1004
	FKM	042U1005
18-22	EPDM	042U1006
	NBR	042U1007
	FKM	042U1008
32	EPDM	042U1037
	NBR	042U1038
	FKM	042U1046
40	EPDM	042U1039
	NBR	042U1040
	FKM	042U1047
50	EPDM	042U1041
	NBR	042U1042
	FKM	042U1048

va VA 1.52/18829
Danfoss valve types:
EV 220A 6, 10, 12, 14, 18 and 22