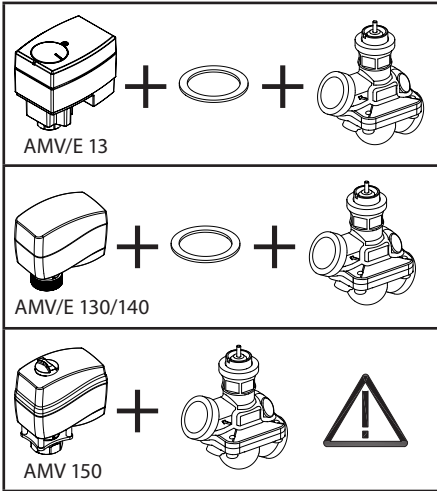


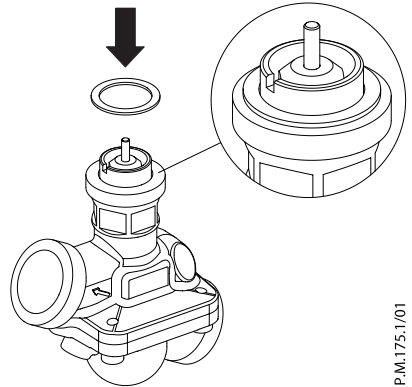
Installation Guide

AHQM , AHPBM(F) - Actuator mounting

1

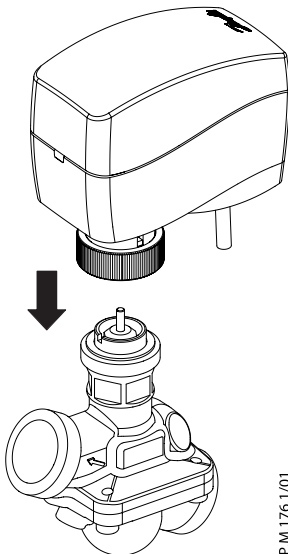


2



P.M.175.1/01

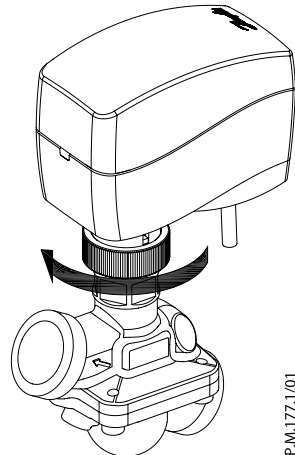
3



P.M.176.1/01

4

AMV/E 130/140	→ =		
AMV/E 13 AMV 150		□ 32 mm	Max: 10 Nm



P.M.177.1/01

Installation Guide
