

Installation guide

Solenoid valve

Type EV220A

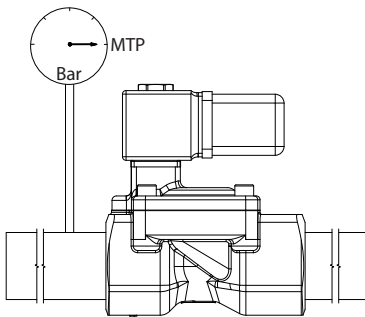
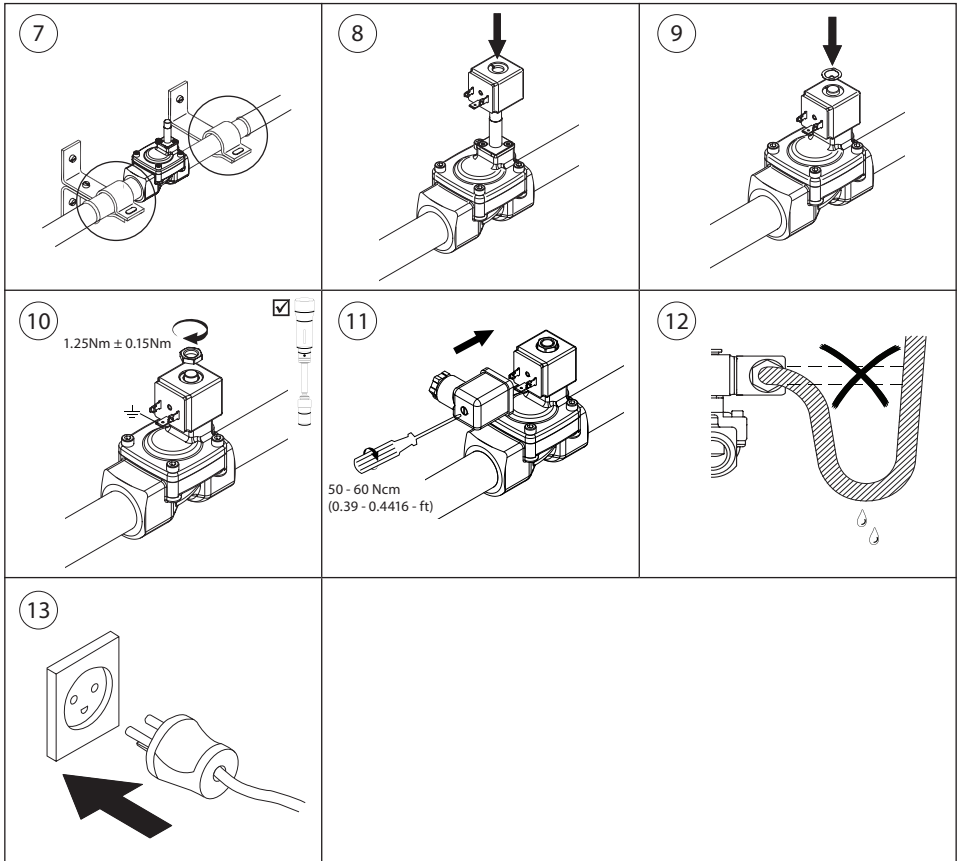
UK
CA

032R9271

032R9271

	<p><input checked="" type="checkbox"/></p>
<p>1</p>	<p><input checked="" type="checkbox"/></p>
<p>2</p>	<p>3</p> <p><input checked="" type="checkbox"/></p>
<p>4</p> <p><input checked="" type="checkbox"/></p>	<p>5</p>
	<p>6</p>

Info for UK customers only: Danfoss Ltd, Oxford Road, UB9 4LH Denham, UK



DN	Max. working pressure (MWP)	Max. test pressure (MTP)
	[Bar]	[Bar]
6-50	16	24
EN60730-2-8		

Visit www.products.danfoss.com for further technical data

Para más información, visite www.products.danfoss.es

Rendez-vous sur le site www.products.danfoss.fr pour plus de données techniques