

TOSHIBA

SERVICE MANUAL

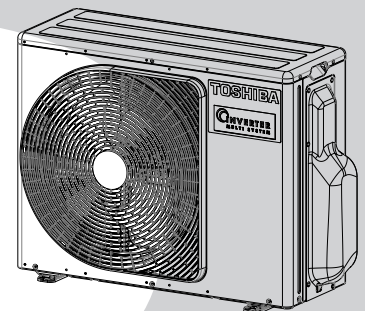
AIR-CONDITIONER

SPLIT TYPE

RAS-2M14U2AVG-E,-TR

RAS-2M18U2AVG-E,-TR

RAS-3M18U2AVG-E,-TR



R32

INVERTER






CONTENTS

1. SAFETY PRECAUTIONS	3
2. SPECIFICATIONS	6
3. REFRIGERANT R32	33
4. CONSTRUCTION VIEWS	41
5. WIRING DIAGRAM	42
6. SPECIFICATIONS OF ELECTRICAL PARTS.....	45
7. REFRIGERANT CYCLE DIAGRAM.....	46
8. CONTROL BLOCK DIAGRAM	53
9. OPERATION DESCRIPTION	56
10. INSTALLATION PROCEDURE	73
11. HOW TO DIAGNOSE THE TROUBLE	81
12. HOW TO REPLACE THE MAIN PARTS	107
13. EXPLODED VIEWS AND PARTS LIST.....	116

1. SAFETY PRECAUTIONS




The important contents concerned to the safety are described on the product itself and on this Service Manual. Please read this Service Manual after understanding the described items thoroughly in the following contents (Indications/Illustrated marks), and keep them.





[Explanation of indications]

Indication	Explanation
 DANGER	Indicates contents assumed that an imminent danger causing a death or serious injury of the repair engineers and the third parties when an incorrect work has been executed.
 WARNING	Indicates possibilities assumed that a danger causing a death or serious injury of the repair engineers, the third parties, and the users due to troubles of the product after work when an incorrect work has been executed.
 CAUTION	Indicates contents assumed that an injury or property damage (*) may be caused on the repair engineers, the third parties, and the users due to troubles of the product after work when an incorrect work has been executed.

* Property damage : Enlarged damage concerned to property, furniture, and domestic animal/pet

[Explanation of illustrated marks]

Mark	Explanation
	Indicates prohibited items (Forbidden items to do) The sentences near an illustrated mark describe the concrete prohibited contents.
	Indicates mandatory items (Compulsory items to do) The sentences near an illustrated mark describe the concrete mandatory contents.
	Indicates cautions (including danger/warning) The sentences or illustration near or in an illustrated mark describe the concrete cautious contents.

	Read the precautions in this manual carefully before operating the unit.		This appliance is filled with R32. (Flammable Material)
	Information included in the Operation Manual and/or Installation Manual.		Service personnel should be handing this equipment with reference to the Installation Manual.

For general public use

Power supply cord of outdoor unit shall be more than 1.5 mm² (H07RN-F or 60245IEC66) polychloroprene sheathed flexible cord.

- Read this “SAFETY PRECAUTIONS” carefully before servicing.
- The precautions described below include the important items regarding safety. Observe them without fail.
- After the servicing work, perform a trial operation to check for any problem.
- Turn off the main power supply switch (or breaker) before the unit maintenance.

■ Important information regarding the refrigerant used

This product contains fluorinated greenhouse gases covered by the Kyoto Protocol. Do not vent gases into the atmosphere. Refrigerant type: **R32**

GWP⁽¹⁾ value: **675***

⁽¹⁾GWP = global warming potential

The refrigerant quantity is indicated on the unit name plate.

* This value is based on F gas regulation 517/2014

 **CAUTION**

New Refrigerant Air Conditioner Installation

- **THIS AIR CONDITIONER ADOPTS THE NEW HFC REFRIGERANT (R32 WHICH DOES NOT DESTROY OZONE LAYER).**

R32 refrigerant is apt to be affected by impurities such as water, oxidizing membrane, and oils because the working pressure of R32 refrigerant is approx. 1.6 times of refrigerant R22. Accompanied with the adoption of the new refrigerant, the refrigeration machine oil has also been changed. Therefore, during installation work, be sure that water, dust, former refrigerant, or refrigeration machine oil does not enter into the new type refrigerant R32 air conditioner circuit.

To prevent mixing of refrigerant or refrigerating machine oil, the sizes of connecting sections of charging port on main unit and installation tools are different from those used for the conventional refrigerant units.

Accordingly, special tools are required for the new refrigerant (R32) units. For connecting pipes, use new and clean piping materials with high pressure fittings made for R32 only, so that water and/or dust does not enter. Moreover, do not use the existing piping because there are some problems with pressure fittings and possible impurities in existing piping.

 **CAUTION**

TO DISCONNECT THE APPLIANCE FROM THE MAIN POWER SUPPLY

This appliance must be connected to the main power supply by means of a circuit breaker or a switch with a contact separation of at least 3 mm in all poles.

 **DANGER**

- **The manufacturer shall not assume any liability for the damage caused by not observing the description of this manual.**
- **Ask an authorized dealer or qualified installation professional to install/maintain the air conditioner.**
INAPPROPRIATE SERVICING MAY RESULT IN WATER LEAKAGE, ELECTRIC SHOCK OR FIRE.
- **TURN OFF MAIN POWER SUPPLY BEFORE ATTEMPTING ANY ELECTRICAL WORK.**
MAKE SURE ALL POWER SWITCHES ARE OFF. FAILURE TO DO SO MAY CAUSE ELECTRIC SHOCK.

 **DANGER: HIGH VOLTAGE**

The high voltage circuit is incorporated. Be careful to do the check service, as the electric shock may be caused in case of touching parts on the P.C. board by hand.

- **CORRECTLY CONNECT THE CONNECTING CABLE. IF THE CONNECTING CABLE IS INCORRECTLY CONNECTED, ELECTRIC PARTS MAY BE DAMAGED.**
 - **CHECK THAT THE EARTH WIRE IS NOT BROKEN OR DISCONNECTED BEFORE SERVICE AND INSTALLATION. FAILURE TO DO SO MAY CAUSE ELECTRIC SHOCK.**
 - **DO NOT INSTALL NEAR CONCENTRATIONS OF COMBUSTIBLE GAS OR GAS VAPORS. FAILURE TO FOLLOW THIS INSTRUCTION CAN RESULT IN FIRE OR EXPLOSION.**
 - **TO PREVENT THE INDOOR UNIT FROM OVERHEATING AND CAUSING A FIRE HAZARD, PLACE THE UNIT WELL AWAY (MORE THAN 2 M) FROM HEAT SOURCES SUCH AS RADIATORS, HEAT RESISTORS, FURNACE, STOVES, ETC.**
 - **WHEN MOVING THE AIR-CONDITIONER FOR INSTALLATION IN ANOTHER PLACE, BE VERY CAREFUL NOT TO ALLOW THE SPECIFIED REFRIGERANT (R410A) TO BECOME MIXED WITH ANY OTHER GASEOUS BODY INTO THE REFRIGERATION CIRCUIT. IF AIR OR ANY OTHER GAS IS MIXED IN THE REFRIGERANT, THE GAS PRESSURE IN THE REFRIGERATION CIRCUIT WILL BECOME ABNORMALLY HIGH AND IT MAY RESULT IN THE PIPE BURSTING AND POSSIBLE PERSONNEL INJURIES.**
 - **IN THE EVENT THAT THE REFRIGERANT GAS LEAKS OUT OF THE PIPE DURING THE SERVICE WORK AND THE INSTALLATION WORK, IMMEDIATELY LET FRESH AIR INTO THE ROOM. IF THE REFRIGERANT GAS IS HEATED, SUCH AS BY FIRE, GENERATION OF POISONOUS GAS MAY RESULT.**
-

WARNING

-
- Never modify this unit by removing any of the safety guards or bypassing any of the safety interlock switches.
 - Do not install in a place which cannot bear the weight of the unit. Personal injury and property damage can result if the unit falls.
 - Before doing the electrical work, attach an approved plug to the power supply cord. Also, make sure the equipment is properly earthed.
 - Appliance shall be installed in accordance with national wiring regulations. If you detect any damage, do not install the unit. Contact your dealer immediately.
 - Do not use any refrigerant different from the one specified for complement or replacement. Otherwise, abnormally high pressure may be generated in the refrigeration cycle, which may result in a failure or explosion of the product or an injury to your body.
 - Do not use means to accelerate the defrosting process or to clean, other than those recommended by the manufacturer.
 - The appliance shall be stored in a room without continuously operating ignition sources (for example: open flames, an operating gas appliance or an operating electric heater).
 - Be aware that refrigerants may not contain an odour.
 - Do not pierce or burn as the appliance is pressurized. Do not expose the appliance to heat, flame, sparks, or other sources or ignition. Else, it may explode and cause injury or death.
 - For R32 model, use pipes, flare nut and tools which is specified for R32 refrigerant. Using of existing (R22) piping, flare nut and tools may cause abnormally high pressure in the refrigerant cycle (piping), and possibly result in explosion and injury.
 - Thickness of copper pipes used R32 must be more than 0.8mm. Never use copper pipes thinner than 0.8mm.
 - Do not perform flare connection inside a building or dwelling or room, when joining the heat exchanger of indoor unit with interconnection piping. Refrigerant connection inside a building or dwelling or room must be made by brazing or welding. Joint connection of indoor unit by flaring method can only be made at outdoor or at outside of building or dwelling or room. Flare connection may cause gas leak and flammable atmosphere.
 - After completion of installation or service, confirm there is no leakage of refrigerant gas. It may generate toxic gas when the refrigerant contacts with fire.
 - Appliance and pipe-work shall be installed, operated and stored in a room with a floor area larger than A_{min} m². How to get A_{min} m²: $A_{min} = (M / (2.5 \times 0.22759 \times h_0))^2$
M is the refrigerant charge amount in appliance in kg. h_0 is the installation height of the appliance in m: 0.6 m for floor standing/1.8 m for wall mounted/1.0 m for window mounted/2.2 m for ceiling mounted (For these units recommend installation height 2.5 m.).
 - Comply with national gas regulations.
-

CAUTION

-
- Exposure of unit to water or other moisture before installation could result in electric shock. Do not store it in a wet basement or expose to rain or water.
 - After unpacking the unit, examine it carefully for possible damage.
 - Do not install the unit at place where leakage of flammable gas may occur. In case gas leaks and accumulates at surrounding of the unit, it may cause of fire.
 - Do not install in a place that can increase the vibration of the unit. Do not install in a place that can amplify the noise level of the unit or where noise and discharged air might disturb neighbors.
 - To avoid personal injury, be careful when handling parts with sharp edges.
 - Please read this installation manual carefully before installing the unit. It contains further important instructions for proper installation.
 - The manufacturer shall not assume any liability for the damage caused by not observing the description of this manual.
-

2. SPECIFICATIONS

The indoor and outdoor units that can be used in combination are shown in the tables below.

Table of models that can be used in combination

Type	Outdoor unit	Combinations of indoor unit models that can be connected
Heat pump	RAS-2M14U2AVG-E,-TR	Refer to page 8 to 11
Heat pump	RAS-2M18U2AVG-E,-TR	Refer to page 12 to 17
Heat pump	RAS-3M18U2AVG-E,-TR	Refer to page 18 to 29

NOTES

A 1-room connection is not an option for the indoor units (you cannot connect only one indoor unit).

Be sure to connect indoor unit in two or more.

2-1. Specifications

<Heat Pump Models>

RAS-2M14U2AVG-E,-TR

Unit model	Outdoor	RAS-	2M14U2AVG-E,-TR
	Connection indoor unit of this specification	RAS-	B13PKVSG-E,-TR (×2)
Cooling Capacity		(kW)	4.0
Cooling Capacity range		(kW)	1.6 to 4.9
Heating Capacity		(kW)	4.4
Heating Capacity range		(kW)	1.3 to 5.2
Power supply			1Ph,220-240V,50Hz
Electric characteristics	Total	Operation mode	Cooling Heating
		Running current (A)	4.55 / 4.35 / 4.15 4.40 / 4.20 / 4.05
		Power consumption (W)	920 890
		Power factor (%)	92 92
		Starting current (A)	4.55 / 4.35 / 4.15
COP (Cooling/Heating)			4.35 / 4.94
Operating noise	Outdoor (Cooling/Heating)	Sound pressure level (dBA)	45 / 46
		Sound power level (dBA)	58 / 59
Outdoor unit	Dimension	Height (mm)	630
		Width (mm)	800
		Depth (mm)	300
	Net weight	(kg)	43
	Compressor	Motor output (W)	1050
		Type	Single rotary type with DC-inverter variable speed control
		Model	KTN130D3UFZ
	Fan motor output	(W)	43
	Air flow rate (Cooling/Heating)	(m ³ /h)	1863 / 1863
	Type		Flare connection
	Name of refrigerant		R32
Weight of refrigerant	(kg)	1.02	
Piping connection	Outdoor unit	A unit liquid side/gas side	φ6.35 / φ9.52
		B unit liquid side/gas side	φ6.35 / φ9.52
		C unit liquid side/gas side	-
	Maximum length (per unit)	(m)	20
	Maximum length (total)	(m)	30
	Maximum chargeless length	(m)	30
Maximum height difference	(m)	10	
Wiring connection	Power supply / interconnection		3 Wires : includes earth / 4 Wires : includes earth
Usable temperature range	Outdoor (Cooling/Heating)	(°C)	-10 to 46°C / -20 to 24°C
Accessory Outdoor unit	Installation manual		1

- For performance when each indoor unit is combined with other unit, refer to the separate table.
- The specifications may be subject to change without notice for purpose of improvement.

RAS-2M18U2AVG-E,-TR

Unit model	Outdoor	RAS-	2M18U2AVG-E,-TR		
	Connection indoor unit of this specification	RAS-	B16PKVSG-E,-TR + B13PKVSG-E,-TR		
Cooling Capacity		(kW)	5.2		
Cooling Capacity range		(kW)	1.7 to 6.2		
Heating Capacity		(kW)	5.6		
Heating Capacity range		(kW)	1.3 to 7.5		
Power supply			1Ph,220-240V,50Hz		
Electric characteristics	Total	Operation mode	Cooling	Heating	
		Running current (A)	6.43 / 6.15 / 5.90	5.73 / 5.48 / 5.26	
		Power consumption (W)	1340	1190	
		Power factor (%)	95	94	
		Starting current (A)	6.43 / 6.15 / 5.90		
COP (Cooling/Heating)			3.88 / 4.71		
Operating noise	Outdoor (Cooling/Heating)	Sound pressure level (dBA)	47 / 50		
		Sound power level (dBA)	60 / 63		
Outdoor unit	Dimension	Height (mm)	630		
		Width (mm)	800		
		Depth (mm)	300		
	Net weight		(kg)		45
		Compressor	Motor output (W)	1320	
		Type	Twin rotary type with DC-inverter variable speed control		
		Model	DX136A1T-40N		
	Fan motor output	(W)	43		
	Air flow rate (Cooling/Heating)	(m ³ /h)	2107 / 2038		
	Type		Flare connection		
	Name of refrigerant		R32		
Weight of refrigerant	(kg)	1.02			
Piping connection	Outdoor unit	A unit liquid side/gas side	φ6.35 / φ9.52		
		B unit liquid side/gas side	φ6.35 / φ9.52		
		C unit liquid side/gas side	-		
	Maximum length (per unit)	(m)	20		
	Maximum length (total)	(m)	30		
	Maximum chargeless length	(m)	30		
Maximum height difference	(m)	10			
Wiring connection	Power supply / interconnection		3 Wires : includes earth / 4 Wires : includes earth		
Usable temperature range	Outdoor (Cooling/Heating)	(°C)	-10 to 46°C / -20 to 24°C		
Accessory Outdoor unit	Installation manual		1		

- For performance when each indoor unit is combined with other unit, refer to the separate table.
- The specifications may be subject to change without notice for purpose of improvement.

RAS-3M18U2AVG-E,-TR

Unit model	Outdoor	RAS-	3M18U2AVG-E,-TR		
	Connection indoor unit of this specification	RAS-	B16PKVSG-E,-TR + B10PKVSG-E,-TR (×2)		
Cooling Capacity		(kW)	5.2		
Cooling Capacity range		(kW)	2.4 to 6.5		
Heating Capacity		(kW)	6.8		
Heating Capacity range		(kW)	1.9 to 8.0		
Power supply			1Ph,220-240V,50Hz		
Electric characteristics	Total	Operation mode	Cooling	Heating	
		Running current (A)	5.64 / 5.39 / 5.17	7.54 / 7.22 / 6.92	
		Power consumption (W)	1170	1580	
		Power factor (%)	94	95	
		Starting current (A)	5.64 / 5.39 / 5.17		
COP (Cooling/Heating)			4.44 / 4.30		
Operating noise	Outdoor (Cooling/Heating)	Sound pressure level (dBA)	47 / 50		
		Sound power level (dBA)	60 / 63		
Outdoor unit	Dimension	Height (mm)	630		
		Width (mm)	800		
		Depth (mm)	300		
	Net weight		(kg)		46
		Compressor	Motor output (W)	1320	
		Type	Twin rotary type with DC-inverter variable speed control		
		Model	DX136A1T-40N		
	Fan motor output	(W)	43		
	Air flow rate (Cooling/Heating)	(m ³ /h)	2177 / 2107		
	Type		Flare connection		
	Name of refrigerant		R32		
Weight of refrigerant	(kg)	1.05			
Piping connection	Outdoor unit	A unit liquid side/gas side	φ6.35 / φ12.7		
		B unit liquid side/gas side	φ6.35 / φ9.52		
		C unit liquid side/gas side	φ6.35 / φ9.52		
	Maximum length (per unit)	(m)	25		
	Maximum length (total)	(m)	50		
	Maximum chargeless length	(m)	50		
Maximum height difference	(m)	10			
Wiring connection	Power supply / interconnection		3 Wires : includes earth / 4 Wires : includes earth		
Usable temperature range	Outdoor (Cooling/Heating)	(°C)	-10 to 46°C / -20 to 24°C		
Accessory Outdoor unit	Installation manual		1		

- For performance when each indoor unit is combined with other unit, refer to the separate table.
- The specifications may be subject to change without notice for purpose of improvement.

2-2. Specifications of Performance When Each Indoor Units is Combined with Other Unit

Outdoor unit : RAS-2M14U2AVG-E,-TR

< Cooling / 220V >

Operating status	Indoor unit				Unit capacity (kW)			Total		
	A	B	C	ΣkBTU	A	B	C	Cooling capacity (kW)	Power consumption (W)	Operating current (A)
1 unit	05	-	-	5	1.50	-	-	1.50 (1.20 - 1.80)	310 (240 - 380)	1.67 (1.52 - 1.89)
	07	-	-	7	2.00	-	-	2.00 (1.30 - 2.50)	420 (240 - 590)	2.25 (1.52 - 2.93)
	10	-	-	10	2.70	-	-	2.70 (1.30 - 3.20)	640 (240 - 860)	3.40 (1.52 - 4.20)
	13	-	-	13	3.70	-	-	3.70 (1.30 - 4.10)	1050 (240 - 1190)	5.49 (1.52 - 5.80)
2 units	05	05	-	10	1.50	1.50	-	3.00 (1.60 - 4.20)	910 (290 - 1130)	4.50 (1.84 - 5.45)
	07	05	-	12	2.00	1.50	-	3.50 (1.60 - 4.30)	960 (290 - 1130)	4.75 (1.84 - 5.45)
	10	05	-	15	2.57	1.43	-	4.00 (1.60 - 4.40)	1030 (290 - 1130)	5.12 (1.84 - 5.45)
	13	05	-	18	2.85	1.15	-	4.00 (1.60 - 4.50)	960 (290 - 1130)	4.75 (1.84 - 5.45)
	07	07	-	14	2.00	2.00	-	4.00 (1.60 - 4.50)	1030 (290 - 1130)	5.12 (1.84 - 5.45)
	10	07	-	17	2.30	1.70	-	4.00 (1.60 - 4.60)	960 (290 - 1130)	4.75 (1.84 - 5.45)
	13	07	-	20	2.60	1.40	-	4.00 (1.60 - 4.70)	940 (290 - 1140)	4.65 (1.84 - 5.50)
	10	10	-	20	2.00	2.00	-	4.00 (1.60 - 4.70)	940 (290 - 1140)	4.65 (1.84 - 5.50)
	13	10	-	23	2.31	1.69	-	4.00 (1.60 - 4.80)	930 (290 - 1150)	4.59 (1.84 - 5.55)
	13	13	-	26	2.00	2.00	-	4.00 (1.60 - 4.90)	920 (290 - 1150)	4.55 (1.84 - 5.55)

< Cooling / 230V >

Operating status	Indoor unit				Unit capacity (kW)			Total		
	A	B	C	ΣkBTU	A	B	C	Cooling capacity (kW)	Power consumption (W)	Operating current (A)
1 unit	05	-	-	5	1.50	-	-	1.50 (1.20 - 1.80)	310 (240 - 380)	1.60 (1.45 - 1.80)
	07	-	-	7	2.00	-	-	2.00 (1.30 - 2.50)	420 (240 - 590)	2.15 (1.45 - 2.80)
	10	-	-	10	2.70	-	-	2.70 (1.30 - 3.20)	640 (240 - 860)	3.25 (1.45 - 4.00)
	13	-	-	13	3.70	-	-	3.70 (1.30 - 4.10)	1050 (240 - 1190)	5.25 (1.45 - 5.55)
2 units	05	05	-	10	1.50	1.50	-	3.00 (1.60 - 4.20)	910 (290 - 1130)	4.30 (1.76 - 5.23)
	07	05	-	12	2.00	1.50	-	3.50 (1.60 - 4.30)	960 (290 - 1130)	4.55 (1.76 - 5.23)
	10	05	-	15	2.57	1.43	-	4.00 (1.60 - 4.40)	1030 (290 - 1130)	4.89 (1.76 - 5.23)
	13	05	-	18	2.85	1.15	-	4.00 (1.60 - 4.50)	960 (290 - 1130)	4.55 (1.76 - 5.23)
	07	07	-	14	2.00	2.00	-	4.00 (1.60 - 4.50)	1030 (290 - 1130)	4.89 (1.76 - 5.23)
	10	07	-	17	2.30	1.70	-	4.00 (1.60 - 4.60)	960 (290 - 1130)	4.55 (1.76 - 5.23)
	13	07	-	20	2.60	1.40	-	4.00 (1.60 - 4.70)	940 (290 - 1140)	4.45 (1.76 - 5.27)
	10	10	-	20	2.00	2.00	-	4.00 (1.60 - 4.70)	940 (290 - 1140)	4.45 (1.76 - 5.30)
	13	10	-	23	2.31	1.69	-	4.00 (1.60 - 4.80)	930 (290 - 1150)	4.40 (1.76 - 5.35)
	13	13	-	26	2.00	2.00	-	4.00 (1.60 - 4.90)	920 (290 - 1150)	4.35 (1.76 - 5.30)

*The above specification values are those under the conditions that the indoor DB/WB=27/19 °C and the outdoor DB/WB=35/- °C.

< Cooling / 240V >

Operating status	Indoor unit				Unit capacity (kW)			Total		
	A	B	C	ΣkBTU	A	B	C	Cooling capacity (kW)	Power consumption (W)	Operating current (A)
1 unit	05	-	-	5	1.50	-	-	1.50 (1.20 - 1.80)	310 (240 - 380)	1.53 (1.40 - 1.73)
	07	-	-	7	2.00	-	-	2.00 (1.30 - 2.50)	420 (240 - 590)	2.05 (1.40 - 2.69)
	10	-	-	10	2.70	-	-	2.70 (1.30 - 3.20)	640 (240 - 860)	3.10 (1.40 - 3.85)
	13	-	-	13	3.70	-	-	3.70 (1.30 - 4.10)	1050 (240 - 1190)	5.05 (1.40 - 5.35)
2 units	05	05	-	10	1.50	1.50	-	3.00 (1.60 - 4.20)	910 (290 - 1130)	4.12 (1.68 - 5.01)
	07	05	-	12	2.00	1.50	-	3.50 (1.60 - 4.30)	960 (290 - 1130)	4.35 (1.68 - 5.00)
	10	05	-	15	2.57	1.43	-	4.00 (1.60 - 4.40)	1030 (290 - 1130)	4.69 (1.68 - 5.00)
	13	05	-	18	2.85	1.15	-	4.00 (1.60 - 4.50)	960 (290 - 1130)	4.36 (1.68 - 5.00)
	07	07	-	14	2.00	2.00	-	4.00 (1.60 - 4.50)	1030 (290 - 1130)	4.69 (1.68 - 5.00)
	10	07	-	17	2.30	1.70	-	4.00 (1.60 - 4.60)	960 (290 - 1130)	4.36 (1.68 - 5.00)
	13	07	-	20	2.60	1.40	-	4.00 (1.60 - 4.70)	940 (290 - 1140)	4.27 (1.68 - 5.05)
	10	10	-	20	2.00	2.00	-	4.00 (1.60 - 4.70)	940 (290 - 1140)	4.27 (1.68 - 5.05)
	13	10	-	23	2.31	1.69	-	4.00 (1.60 - 4.80)	930 (290 - 1150)	4.21 (1.68 - 5.10)
	13	13	-	26	2.00	2.00	-	4.00 (1.60 - 4.90)	920 (290 - 1150)	4.15 (1.68 - 5.10)

•The above specification values are those under the conditions that the indoor DB/WB=27/19 °C and the outdoor DB/WB=35/- °C.

Outdoor unit : RAS-2M14U2AVG-E,-TR

< Heating / 220V >

Operating status	Indoor unit				Unit capacity (kW)			Total		
	A	B	C	ΣkBTU	A	B	C	Heating capacity (kW)	Power consumption (W)	Operating current (A)
1 unit	05	-	-	5	2.00	-	-	2.0 (0.9 - 2.5)	440 (190 - 580)	2.40 (1.20 - 2.88)
	07	-	-	7	2.70	-	-	2.7 (0.9 - 3.4)	610 (190 - 820)	3.30 (1.20 - 4.07)
	10	-	-	10	4.00	-	-	4.0 (0.9 - 4.8)	1050 (190 - 1380)	5.60 (1.20 - 6.75)
	13	-	-	13	4.40	-	-	4.4 (1.0 - 5.2)	1350 (210 - 1410)	7.14 (1.33 - 6.90)
2 units	05	05	-	10	2.00	2.00	-	4.0 (1.3 - 4.7)	920 (250 - 1270)	4.55 (1.58 - 6.15)
	07	05	-	12	2.70	2.00	-	4.4 (1.3 - 4.8)	960 (250 - 1270)	4.74 (1.58 - 6.15)
	10	05	-	15	3.73	1.87	-	4.4 (1.3 - 4.9)	960 (250 - 1270)	4.74 (1.58 - 6.15)
	13	05	-	18	4.00	1.60	-	4.4 (1.3 - 5.0)	950 (250 - 1250)	4.69 (1.58 - 6.05)
	07	07	-	14	2.70	2.70	-	4.4 (1.3 - 5.1)	960 (250 - 1270)	4.74 (1.58 - 6.15)
	10	07	-	17	3.34	2.26	-	4.4 (1.3 - 5.1)	950 (250 - 1250)	4.69 (1.58 - 6.05)
	13	07	-	20	3.64	1.96	-	4.4 (1.3 - 5.2)	920 (250 - 1250)	4.55 (1.58 - 6.05)
	10	10	-	20	2.80	2.80	-	4.4 (1.3 - 5.1)	930 (250 - 1230)	4.59 (1.58 - 5.95)
	13	10	-	23	2.30	2.10	-	4.4 (1.3 - 5.2)	910 (250 - 1230)	4.50 (1.58 - 5.95)
	13	13	-	26	2.20	2.20	-	4.4 (1.3 - 5.2)	890 (250 - 1220)	4.40 (1.52 - 5.90)

< Heating / 230V >

Operating status	Indoor unit				Unit capacity (kW)			Total		
	A	B	C	ΣkBTU	A	B	C	Heating capacity (kW)	Power consumption (W)	Operating current (A)
1 unit	05	-	-	5	2.00	-	-	2.0 (0.9 - 2.5)	440 (190 - 580)	2.28 (1.15 - 2.75)
	07	-	-	7	2.70	-	-	2.7 (0.9 - 3.4)	610 (190 - 820)	3.16 (1.15 - 3.90)
	10	-	-	10	4.00	-	-	4.0 (0.9 - 4.8)	1050 (190 - 1380)	5.37 (1.15 - 6.45)
	13	-	-	13	4.40	-	-	4.4 (1.0 - 5.2)	1350 (210 - 1410)	6.83 (1.27 - 6.61)
2 units	05	05	-	10	2.00	2.00	-	4.0 (1.3 - 4.7)	920 (250 - 1270)	4.34 (1.52 - 5.90)
	07	05	-	12	2.70	2.00	-	4.4 (1.3 - 4.8)	960 (250 - 1270)	4.53 (1.52 - 5.90)
	10	05	-	15	3.73	1.87	-	4.4 (1.3 - 4.9)	960 (250 - 1270)	4.53 (1.52 - 5.90)
	13	05	-	18	4.00	1.60	-	4.4 (1.3 - 5.0)	950 (250 - 1250)	4.48 (1.52 - 5.81)
	07	07	-	14	2.70	2.70	-	4.4 (1.3 - 5.1)	960 (250 - 1270)	4.53 (1.52 - 5.90)
	10	07	-	17	3.34	2.26	-	4.4 (1.3 - 5.1)	950 (250 - 1250)	4.48 (1.52 - 5.81)
	13	07	-	20	3.64	1.96	-	4.4 (1.3 - 5.2)	920 (250 - 1250)	4.34 (1.52 - 5.81)
	10	10	-	20	2.80	2.80	-	4.4 (1.3 - 5.1)	930 (250 - 1230)	4.39 (1.52 - 5.71)
	13	10	-	23	2.30	2.10	-	4.4 (1.3 - 5.2)	910 (250 - 1230)	4.29 (1.52 - 5.71)
	13	13	-	26	2.20	2.20	-	4.4 (1.3 - 5.2)	890 (250 - 1220)	4.20 (1.52 - 5.65)

·The above specification values are those under the conditions that the indoor DB/WB=20/- °C and the outdoor DB/WB=7/6 °C.

< Heating / 240V >

Operating status	Indoor unit				Unit capacity (kW)			Total		
	A	B	C	ΣkBTU	A	B	C	Heating capacity (kW)	Power consumption (W)	Operating current (A)
1 unit	05	-	-	5	2.00	-	-	2.0 (0.9 - 2.5)	440 (190 - 580)	2.20 (1.10 - 2.64)
	07	-	-	7	2.70	-	-	2.7 (0.9 - 3.4)	610 (190 - 820)	3.04 (1.10 - 3.73)
	10	-	-	10	4.00	-	-	4.0 (0.9 - 4.8)	1050 (190 - 1380)	5.15 (1.10 - 6.20)
	13	-	-	13	4.40	-	-	4.4 (1.0 - 5.2)	1350 (210 - 1410)	6.55 (1.22 - 6.33)
2 units	05	05	-	10	2.00	2.00	-	4.0 (1.3 - 4.7)	920 (250 - 1270)	4.17 (1.45 - 5.65)
	07	05	-	12	2.70	2.00	-	4.4 (1.3 - 4.8)	960 (250 - 1270)	4.35 (1.45 - 5.65)
	10	05	-	15	3.73	1.87	-	4.4 (1.3 - 4.9)	960 (250 - 1270)	4.35 (1.45 - 5.65)
	13	05	-	18	4.00	1.60	-	4.4 (1.3 - 5.0)	950 (250 - 1250)	4.30 (1.45 - 5.56)
	07	07	-	14	2.70	2.70	-	4.4 (1.3 - 5.1)	960 (250 - 1270)	4.35 (1.45 - 5.65)
	10	07	-	17	3.34	2.26	-	4.4 (1.3 - 5.1)	950 (250 - 1250)	4.30 (1.45 - 5.56)
	13	07	-	20	3.64	1.96	-	4.4 (1.3 - 5.2)	920 (250 - 1250)	4.17 (1.45 - 5.56)
	10	10	-	20	2.80	2.80	-	4.4 (1.3 - 5.1)	930 (250 - 1230)	4.21 (1.45 - 5.48)
	13	10	-	23	2.30	2.10	-	4.4 (1.3 - 5.2)	910 (250 - 1230)	4.12 (1.45 - 5.48)
	13	13	-	26	2.20	2.20	-	4.4 (1.3 - 5.2)	890 (250 - 1220)	4.05 (1.45 - 5.40)

•The above specification values are those under the conditions that the indoor DB/WB=20/- °C and the outdoor DB/WB=7/6 °C.

Outdoor unit : RAS-2M18U2AVG-E,-TR

< Cooling / 220V >

Operating status	Indoor unit				Unit capacity (kW)			Total		
	A	B	C	ΣkBTU	A	B	C	Cooling capacity (kW)	Power consumption (W)	Operating current (A)
1 unit	05	-	-	5	1.50	-	-	1.5 (1.2 - 1.8)	310 (240 - 380)	1.80 (1.42 - 1.85)
	07	-	-	7	2.00	-	-	2.0 (1.3 - 2.5)	410 (240 - 650)	2.40 (1.42 - 3.18)
	10	-	-	10	2.70	-	-	2.7 (1.3 - 3.2)	650 (240 - 890)	3.40 (1.42 - 4.30)
	13	-	-	13	3.70	-	-	3.7 (1.4 - 4.1)	1080 (240 - 1380)	5.25 (1.42 - 6.60)
	16	-	-	16	4.50	-	-	4.5 (1.5 - 5.3)	1370 (250 - 1950)	6.55 (1.48 - 9.35)
2 units	05	05	-	10	1.50	1.50	-	3.0 (1.7 - 5.2)	700 (270 - 1840)	3.45 (1.60 - 8.70)
	07	05	-	12	2.88	0.62	-	3.5 (1.7 - 5.3)	850 (270 - 1840)	4.10 (1.60 - 8.70)
	10	05	-	15	3.65	0.55	-	4.2 (1.7 - 5.4)	1100 (270 - 1840)	5.25 (1.60 - 8.70)
	13	05	-	18	4.66	0.54	-	5.2 (1.7 - 5.5)	1520 (270 - 1840)	7.30 (1.60 - 8.70)
	16	05	-	21	4.75	0.45	-	5.2 (1.7 - 5.5)	1490 (270 - 1840)	7.15 (1.60 - 8.70)
	07	07	-	14	2.00	2.00	-	4.0 (1.7 - 5.5)	1000 (270 - 1700)	4.80 (1.60 - 8.05)
	10	07	-	17	2.76	1.94	-	4.7 (1.7 - 5.8)	1260 (270 - 1830)	6.05 (1.60 - 8.66)
	13	07	-	20	3.38	1.82	-	5.2 (1.7 - 5.9)	1490 (270 - 1840)	7.15 (1.60 - 8.70)
	16	07	-	23	3.62	1.58	-	5.2 (1.7 - 6.2)	1390 (270 - 1870)	6.65 (1.60 - 8.85)
	10	10	-	20	2.60	2.60	-	5.2 (1.7 - 5.9)	1520 (270 - 1840)	7.30 (1.60 - 8.70)
	13	10	-	23	2.94	2.26	-	5.2 (1.7 - 6.0)	1480 (270 - 1850)	7.10 (1.60 - 8.76)
	16	10	-	26	3.20	2.00	-	5.2 (1.7 - 6.3)	1370 (270 - 1870)	6.55 (1.60 - 8.85)
	13	13	-	26	2.60	2.60	-	5.2 (1.7 - 6.1)	1430 (270 - 1850)	6.85 (1.60 - 8.75)
	16	13	-	29	2.87	2.33	-	5.2 (1.7 - 6.2)	1340 (270 - 1880)	6.40 (1.60 - 8.90)
	16	16	-	32	2.60	2.60	-	5.2 (1.7 - 6.4)	1300 (270 - 1900)	6.20 (1.60 - 9.00)

•The above specification values are those under the conditions that the indoor DB/WB=27/19 °C and the outdoor DB/WB=35/- °C.

< Cooling / 230V >

Operating status	Indoor unit				Unit capacity (kW)			Total		
	A	B	C	ΣkBTU	A	B	C	Cooling capacity (kW)	Power consumption (W)	Operating current (A)
1 unit	05	-	-	5	1.50	-	-	1.5 (1.2 - 1.8)	310 (240 - 380)	1.73 (1.36 - 1.78)
	07	-	-	7	2.00	-	-	2.0 (1.3 - 2.5)	410 (240 - 650)	2.29 (1.36 - 3.04)
	10	-	-	10	2.70	-	-	2.7 (1.3 - 3.2)	650 (240 - 890)	3.25 (1.36 - 4.12)
	13	-	-	13	3.70	-	-	3.7 (1.4 - 4.1)	1080 (240 - 1380)	5.00 (1.36 - 6.32)
	16	-	-	16	4.50	-	-	4.5 (1.5 - 5.3)	1370 (250 - 1950)	6.27 (1.41 - 8.92)
2 units	05	05	-	10	1.50	1.50	-	3.0 (1.7 - 5.2)	700 (270 - 1840)	3.31 (1.53 - 8.35)
	07	05	-	12	2.88	0.62	-	3.5 (1.7 - 5.3)	850 (270 - 1840)	3.93 (1.53 - 8.35)
	10	05	-	15	3.65	0.55	-	4.2 (1.7 - 5.4)	1100 (270 - 1840)	5.03 (1.53 - 8.35)
	13	05	-	18	4.66	0.54	-	5.2 (1.7 - 5.5)	1520 (270 - 1840)	6.96 (1.53 - 8.35)
	16	05	-	21	4.75	0.45	-	5.2 (1.7 - 5.5)	1490 (270 - 1840)	6.82 (1.53 - 8.35)
	07	07	-	14	2.00	2.00	-	4.0 (1.7 - 5.5)	1000 (270 - 1700)	4.58 (1.53 - 7.70)
	10	07	-	17	2.76	1.94	-	4.7 (1.7 - 5.8)	1260 (270 - 1830)	5.80 (1.53 - 8.30)
	13	07	-	20	3.38	1.82	-	5.2 (1.7 - 5.9)	1490 (270 - 1840)	6.82 (1.53 - 8.35)
	16	07	-	23	3.62	1.58	-	5.2 (1.7 - 6.2)	1390 (270 - 1870)	6.37 (1.53 - 8.50)
	10	10	-	20	2.60	2.60	-	5.2 (1.7 - 5.9)	1520 (270 - 1840)	6.95 (1.53 - 8.35)
	13	10	-	23	2.94	2.26	-	5.2 (1.7 - 6.0)	1480 (270 - 1850)	6.77 (1.53 - 8.40)
	16	10	-	26	3.20	2.00	-	5.2 (1.7 - 6.3)	1370 (270 - 1870)	6.29 (1.53 - 8.49)
	13	13	-	26	2.60	2.60	-	5.2 (1.7 - 6.1)	1430 (270 - 1850)	6.55 (1.53 - 8.40)
	16	13	-	29	2.87	2.33	-	5.2 (1.7 - 6.2)	1340 (270 - 1880)	6.15 (1.53 - 8.55)
	16	16	-	32	2.60	2.60	-	5.2 (1.7 - 6.4)	1300 (270 - 1900)	5.97 (1.53 - 8.60)

· The above specification values are those under the conditions that the indoor DB/WB=27/19 °C and the outdoor DB/WB=35/- °C.

< Cooling / 240V >

Operating status	Indoor unit				Unit capacity (kW)			Total		
	A	B	C	ΣkBTU	A	B	C	Cooling capacity (kW)	Power consumption (W)	Operating current (A)
1 unit	05	-	-	5	1.50	-	-	1.5 (1.2 - 1.8)	310 (240 - 380)	1.65 (1.30 - 1.70)
	07	-	-	7	2.00	-	-	2.0 (1.3 - 2.5)	410 (240 - 650)	2.20 (1.30 - 2.90)
	10	-	-	10	2.70	-	-	2.7 (1.3 - 3.2)	650 (240 - 890)	3.10 (1.30 - 3.95)
	13	-	-	13	3.70	-	-	3.7 (1.4 - 4.1)	1080 (240 - 1380)	4.80 (1.30 - 6.05)
	16	-	-	16	4.50	-	-	4.5 (1.5 - 5.3)	1370 (250 - 1950)	6.00 (1.35 - 8.55)
2 units	05	05	-	10	1.50	1.50	-	3.0 (1.7 - 5.2)	700 (270 - 1840)	3.18 (1.45 - 8.00)
	07	05	-	12	2.88	0.62	-	3.5 (1.7 - 5.3)	850 (270 - 1840)	3.78 (1.45 - 8.00)
	10	05	-	15	3.65	0.55	-	4.2 (1.7 - 5.4)	1100 (270 - 1840)	4.80 (1.45 - 8.00)
	13	05	-	18	4.66	0.54	-	5.2 (1.7 - 5.5)	1520 (270 - 1840)	6.70 (1.45 - 8.00)
	16	05	-	21	4.75	0.45	-	5.2 (1.7 - 5.5)	1490 (270 - 1840)	6.55 (1.45 - 8.00)
	07	07	-	14	2.00	2.00	-	4.0 (1.7 - 5.5)	1000 (270 - 1700)	4.40 (1.45 - 7.40)
	10	07	-	17	2.76	1.94	-	4.7 (1.7 - 5.8)	1260 (270 - 1830)	5.55 (1.45 - 7.95)
	13	07	-	20	3.38	1.82	-	5.2 (1.7 - 5.9)	1490 (270 - 1840)	6.55 (1.45 - 8.00)
	16	07	-	23	3.62	1.58	-	5.2 (1.7 - 6.2)	1390 (270 - 1870)	6.10 (1.45 - 8.15)
	10	10	-	20	2.60	2.60	-	5.2 (1.7 - 5.9)	1520 (270 - 1840)	6.70 (1.45 - 8.00)
	13	10	-	23	2.94	2.26	-	5.2 (1.7 - 6.0)	1480 (270 - 1850)	6.50 (1.45 - 8.05)
	16	10	-	26	3.20	2.00	-	5.2 (1.7 - 6.3)	1370 (270 - 1870)	6.00 (1.45 - 8.15)
	13	13	-	26	2.60	2.60	-	5.2 (1.7 - 6.1)	1430 (270 - 1850)	6.30 (1.45 - 8.05)
	16	13	-	29	2.87	2.33	-	5.2 (1.7 - 6.2)	1340 (270 - 1880)	5.88 (1.45 - 8.20)
	16	16	-	32	2.60	2.60	-	5.2 (1.7 - 6.4)	1300 (270 - 1900)	5.73 (1.45 - 8.28)

*The above specification values are those under the conditions that the indoor DB/WB=27/19 °C and the outdoor DB/WB=35/-°C.

Outdoor unit : RAS-2M18U2AVG-E,-TR

< Heating / 220V >

Operating status	Indoor unit				Unit capacity (kW)			Total		
	A	B	C	ΣkBTU	A	B	C	Heating capacity (kW)	Power consumption (W)	Operating current (A)
1 unit	05	-	-	5	2.00	-	-	2.0 (1.0 - 2.5)	460 (210 - 590)	2.46 (1.26 - 2.82)
	07	-	-	7	2.70	-	-	2.7 (1.0 - 3.4)	630 (210 - 980)	3.37 (1.26 - 4.69)
	10	-	-	10	4.00	-	-	4.0 (1.0 - 4.8)	1160 (210 - 1560)	5.61 (1.25 - 7.44)
	13	-	-	13	5.00	-	-	5.0 (1.0 - 5.3)	1580 (210 - 1770)	7.64 (1.26 - 8.47)
	16	-	-	16	5.50	-	-	5.5 (1.1 - 6.5)	1700 (230 - 2320)	8.22 (1.38 - 11.10)
2 units	05	05	-	10	2.00	2.00	-	4.0 (1.3 - 6.7)	980 (240 - 2200)	4.74 (1.42 - 10.45)
	07	05	-	12	2.70	2.00	-	4.7 (1.3 - 6.8)	1160 (240 - 2200)	5.37 (1.42 - 10.45)
	10	05	-	15	3.73	1.87	-	5.6 (1.3 - 6.9)	1380 (240 - 2100)	6.38 (1.42 - 9.97)
	13	05	-	18	4.00	1.60	-	5.6 (1.3 - 7.0)	1380 (240 - 2100)	6.38 (1.42 - 9.97)
	16	05	-	21	4.11	1.49	-	5.6 (1.3 - 7.1)	1350 (240 - 2100)	6.24 (1.42 - 9.97)
	07	07	-	14	2.70	2.70	-	5.4 (1.3 - 7.2)	1370 (240 - 2240)	6.34 (1.42 - 10.64)
	10	07	-	17	3.34	2.26	-	5.6 (1.3 - 7.2)	1390 (250 - 2200)	6.37 (1.49 - 10.45)
	13	07	-	20	3.64	1.96	-	5.6 (1.3 - 7.5)	1340 (250 - 2250)	6.15 (1.49 - 10.69)
	16	07	-	23	3.76	1.84	-	5.6 (1.3 - 7.5)	1240 (240 - 2090)	5.71 (1.42 - 9.93)
	10	10	-	20	2.80	2.80	-	5.6 (1.3 - 7.3)	1350 (250 - 2160)	6.20 (1.49 - 10.26)
	13	10	-	23	3.11	2.49	-	5.6 (1.3 - 7.5)	1320 (250 - 2210)	6.06 (1.49 - 10.50)
	16	10	-	26	3.24	2.36	-	5.6 (1.3 - 7.5)	1220 (240 - 2070)	5.62 (1.42 - 9.83)
	13	13	-	26	2.80	2.80	-	5.6 (1.3 - 7.5)	1290 (250 - 2170)	5.93 (1.49 - 10.30)
	16	13	-	29	2.93	2.67	-	5.6 (1.3 - 7.5)	1190 (240 - 2020)	5.48 (1.42 - 9.58)
	16	16	-	32	2.80	2.80	-	5.6 (1.3 - 7.5)	1140 (240 - 1910)	5.26 (1.42 - 9.07)

•The above specification values are those under the conditions that the indoor DB/WB=20/- °C and the outdoor DB/WB=7/6 °C.

< Heating / 230V >

Operating status	Indoor unit				Unit capacity (kW)			Total		
	A	B	C	ΣkBTU	A	B	C	Heating capacity (kW)	Power consumption (W)	Operating current (A)
1 unit	05	-	-	5	2.00	-	-	2.0 (1.0 - 2.5)	460 (210 - 590)	2.35 (1.20 - 2.70)
	07	-	-	7	2.70	-	-	2.7 (1.0 - 3.4)	630 (210 - 980)	3.22 (1.20 - 4.49)
	10	-	-	10	4.00	-	-	4.0 (1.0 - 4.8)	1160 (210 - 1560)	5.37 (1.19 - 7.12)
	13	-	-	13	5.00	-	-	5.0 (1.0 - 5.3)	1580 (210 - 1770)	7.31 (1.20 - 8.10)
	16	-	-	16	5.50	-	-	5.5 (1.1 - 6.5)	1700 (230 - 2320)	7.86 (1.32 - 10.62)
2 units	05	05	-	10	2.00	2.00	-	4.0 (1.3 - 6.7)	980 (240 - 2200)	4.53 (1.36 - 10.00)
	07	05	-	12	2.70	2.00	-	4.7 (1.3 - 6.8)	1160 (240 - 2200)	5.37 (1.36 - 10.00)
	10	05	-	15	3.73	1.87	-	5.6 (1.3 - 6.9)	1380 (240 - 2100)	6.38 (1.36 - 9.55)
	13	05	-	18	4.00	1.60	-	5.6 (1.3 - 7.0)	1380 (240 - 2100)	6.38 (1.36 - 9.55)
	16	05	-	21	4.11	1.49	-	5.6 (1.3 - 7.1)	1350 (240 - 2100)	6.24 (1.36 - 9.55)
	07	07	-	14	2.70	2.70	-	5.4 (1.3 - 7.2)	1370 (240 - 2240)	6.34 (1.36 - 10.14)
	10	07	-	17	3.34	2.26	-	5.6 (1.3 - 7.2)	1390 (250 - 2200)	6.37 (1.40 - 10.00)
	13	07	-	20	3.64	1.96	-	5.6 (1.3 - 7.5)	1340 (250 - 2250)	6.15 (1.40 - 10.20)
	16	07	-	23	3.76	1.84	-	5.6 (1.3 - 7.5)	1240 (240 - 2090)	5.71 (1.36 - 9.50)
	10	10	-	20	2.80	2.80	-	5.6 (1.3 - 7.3)	1350 (250 - 2160)	6.20 (1.40 - 9.80)
	13	10	-	23	3.11	2.49	-	5.6 (1.3 - 7.5)	1320 (250 - 2210)	6.06 (1.40 - 10.05)
	16	10	-	26	3.24	2.36	-	5.6 (1.3 - 7.5)	1220 (240 - 2070)	5.62 (1.36 - 9.40)
	13	13	-	26	2.80	2.80	-	5.6 (1.3 - 7.5)	1290 (250 - 2170)	5.93 (1.40 - 9.85)
	16	13	-	29	2.93	2.67	-	5.6 (1.3 - 7.5)	1190 (240 - 2020)	5.48 (1.36 - 9.16)
	16	16	-	32	2.80	2.80	-	5.6 (1.3 - 7.5)	1140 (240 - 1910)	5.26 (1.36 - 8.65)

*The above specification values are those under the conditions that the indoor DB/WB=20/- °C and the outdoor DB/WB=7/6°C.

< Heating / 240V >

Operating status	Indoor unit				Unit capacity (kW)			Total		
	A	B	C	ΣkBTU	A	B	C	Heating capacity (kW)	Power consumption (W)	Operating current (A)
1 unit	05	-	-	5	2.00	-	-	2.0 (1.0 - 2.5)	460 (210 - 590)	2.25 (1.15 - 2.59)
	07	-	-	7	2.70	-	-	2.7 (1.0 - 3.4)	630 (210 - 980)	3.09 (1.15 - 4.30)
	10	-	-	10	4.00	-	-	4.0 (1.0 - 4.8)	1160 (210 - 1560)	5.14 (1.14 - 6.82)
	13	-	-	13	5.00	-	-	5.0 (1.0 - 5.3)	1580 (210 - 1770)	7.00 (1.15 - 7.76)
	16	-	-	16	5.50	-	-	5.5 (1.1 - 6.5)	1700 (230 - 2320)	7.54 (1.26 - 10.18)
2 units	05	05	-	10	2.00	2.00	-	4.0 (1.3 - 6.7)	980 (240 - 2200)	4.34 (1.30 - 9.58)
	07	05	-	12	2.70	2.00	-	4.7 (1.3 - 6.8)	1160 (240 - 2200)	5.37 (1.30 - 9.58)
	10	05	-	15	3.73	1.87	-	5.6 (1.3 - 6.9)	1380 (240 - 2100)	6.38 (1.30 - 9.14)
	13	05	-	18	4.00	1.60	-	5.6 (1.3 - 7.0)	1380 (240 - 2100)	6.38 (1.30 - 9.14)
	16	05	-	21	4.11	1.49	-	5.6 (1.3 - 7.1)	1350 (240 - 2100)	6.24 (1.30 - 9.14)
	07	07	-	14	2.70	2.70	-	5.4 (1.3 - 7.2)	1370 (240 - 2240)	6.34 (1.30 - 9.75)
	10	07	-	17	3.34	2.26	-	5.6 (1.3 - 7.2)	1390 (250 - 2200)	6.37 (1.36 - 9.58)
	13	07	-	20	3.64	1.96	-	5.6 (1.3 - 7.5)	1340 (250 - 2250)	6.15 (1.36 - 9.80)
	16	07	-	23	3.76	1.84	-	5.6 (1.3 - 7.5)	1240 (240 - 2090)	5.71 (1.30 - 9.10)
	10	10	-	20	2.80	2.80	-	5.6 (1.3 - 7.3)	1350 (250 - 2160)	6.20 (1.36 - 9.40)
	13	10	-	23	3.11	2.49	-	5.6 (1.3 - 7.5)	1320 (250 - 2210)	6.06 (1.36 - 9.62)
	16	10	-	26	3.24	2.36	-	5.6 (1.3 - 7.5)	1220 (240 - 2070)	5.62 (1.30 - 9.01)
	13	13	-	26	2.80	2.80	-	5.6 (1.3 - 7.5)	1290 (250 - 2170)	5.93 (1.36 - 9.44)
	16	13	-	29	2.93	2.67	-	5.6 (1.3 - 7.5)	1190 (240 - 2020)	5.26 (1.30 - 8.78)
	16	16	-	32	2.80	2.80	-	5.6 (1.3 - 7.5)	1140 (240 - 1910)	5.26 (1.30 - 8.32)

*The above specification values are those under the conditions that the indoor DB/WB=20/- °C and the outdoor DB/WB=7/6 °C.

Outdoor unit : RAS-3M18U2AVG-E,-TR

< Cooling / 220V >

Operating status	Indoor unit				Unit capacity (kW)			Total		
	A	B	C	ΣkBTU	A	B	C	Cooling capacity (kW)	Power consumption (W)	Operating current (A)
1 unit	05	-	-	5	1.50	-	-	1.5 (1.3 - 1.8)	310 (270 - 380)	1.81 (1.60 - 1.85)
	07	-	-	7	2.00	-	-	2.0 (1.4 - 2.5)	410 (280 - 650)	2.40 (1.65 - 3.18)
	10	-	-	10	2.70	-	-	2.7 (1.4 - 3.2)	650 (280 - 890)	3.40 (1.65 - 4.30)
	13	-	-	13	3.70	-	-	3.7 (1.5 - 4.1)	1080 (280 - 1380)	5.25 (1.65 - 6.60)
	16	-	-	16	4.50	-	-	4.5 (1.6 - 5.3)	1370 (280 - 1950)	6.56 (1.65 - 9.33)
2 units	05	05	-	10	1.50	1.50	-	3.0 (2.4 - 6.0)	620 (390 - 1890)	3.00 (2.27 - 9.00)
	07	05	-	12	2.00	1.50	-	3.5 (2.4 - 6.0)	780 (390 - 1880)	3.77 (2.27 - 9.00)
	10	05	-	15	2.70	1.50	-	4.2 (2.4 - 6.0)	1050 (390 - 1890)	5.08 (2.27 - 8.98)
	13	05	-	18	3.70	1.50	-	5.2 (2.4 - 6.2)	1550 (390 - 1920)	7.42 (2.27 - 9.10)
	16	05	-	21	3.90	1.30	-	5.2 (2.4 - 6.2)	1590 (390 - 1890)	7.61 (2.27 - 9.00)
	07	07	-	14	2.00	2.00	-	4.0 (2.4 - 6.0)	970 (390 - 1890)	4.70 (2.27 - 9.00)
	10	07	-	17	2.76	1.94	-	4.7 (2.4 - 6.0)	1290 (390 - 1880)	6.20 (2.27 - 8.95)
	13	07	-	20	3.38	1.82	-	5.2 (2.4 - 6.1)	1530 (390 - 1890)	7.31 (2.27 - 9.00)
	16	07	-	23	3.62	1.58	-	5.2 (2.4 - 6.2)	1420 (390 - 1920)	6.80 (2.27 - 9.10)
	10	10	-	20	2.60	2.60	-	5.2 (2.4 - 6.1)	1570 (390 - 1890)	7.50 (2.27 - 9.00)
	13	10	-	23	2.94	2.26	-	5.2 (2.4 - 6.0)	1520 (390 - 1900)	7.27 (2.27 - 9.00)
	16	10	-	26	3.20	2.00	-	5.2 (2.4 - 6.3)	1410 (390 - 1920)	6.76 (2.27 - 9.10)
	13	13	-	26	2.60	2.60	-	5.2 (2.4 - 6.1)	1450 (390 - 1920)	7.04 (2.27 - 9.10)
	16	13	-	29	2.87	2.33	-	5.2 (2.4 - 6.2)	1380 (390 - 1930)	6.62 (2.27 - 9.15)
	16	16	-	32	2.60	2.60	-	5.2 (2.4 - 6.4)	1340 (390 - 1950)	6.43 (2.27 - 9.25)

·The above specification values are those under the conditions that the indoor DB/WB=27/19 °C and the outdoor DB/WB=35/- °C.

< Cooling / 220V >

Operating status	Indoor unit				Unit capacity (kW)			Total		
	A	B	C	ΣkBTU	A	B	C	Cooling capacity (kW)	Power consumption (W)	Operating current (A)
3 units	05	05	05	15	1.50	1.50	1.50	4.5 (2.4 - 6.3)	1130 (400 - 1890)	5.47 (2.32 - 9.00)
	07	05	05	17	2.00	1.50	1.50	5.0 (2.4 - 6.4)	1390 (400 - 1890)	6.72 (2.32 - 9.00)
	10	05	05	20	2.46	1.37	1.37	5.2 (2.4 - 6.5)	1530 (400 - 1890)	7.40 (2.32 - 9.00)
	13	05	05	23	2.87	1.16	1.16	5.2 (2.4 - 6.5)	1210 (400 - 1950)	5.85 (2.32 - 9.25)
	16	05	05	26	3.12	1.04	1.04	5.2 (2.4 - 6.5)	1200 (400 - 1950)	5.80 (2.32 - 9.25)
	07	07	05	19	1.89	1.89	1.42	5.2 (2.4 - 6.5)	1560 (400 - 1950)	7.54 (2.32 - 9.25)
	10	07	05	22	2.26	1.68	1.26	5.2 (2.4 - 6.5)	1410 (400 - 1950)	6.82 (2.32 - 9.25)
	13	07	05	25	2.67	1.44	1.08	5.2 (2.4 - 6.5)	1220 (400 - 1950)	5.90 (2.32 - 9.25)
	16	07	05	28	2.93	1.30	0.98	5.2 (2.4 - 6.5)	1190 (400 - 1950)	5.75 (2.32 - 9.25)
	10	10	05	25	2.03	2.03	1.13	5.2 (2.4 - 6.5)	1210 (400 - 1950)	5.85 (2.32 - 9.25)
	13	10	05	28	2.44	1.78	0.99	5.2 (2.4 - 6.5)	1200 (400 - 1950)	5.80 (2.32 - 9.25)
	16	10	05	31	2.69	1.61	0.90	5.2 (2.4 - 6.5)	1190 (400 - 1950)	5.75 (2.32 - 9.25)
	13	13	05	31	2.16	2.16	0.88	5.2 (2.4 - 6.5)	1180 (400 - 1950)	5.71 (2.32 - 9.25)
	16	13	05	34	2.41	1.98	0.80	5.2 (2.4 - 6.5)	1170 (400 - 1950)	5.66 (2.32 - 9.25)
	07	07	07	21	1.74	1.73	1.73	5.2 (2.4 - 6.5)	1220 (400 - 1950)	5.87 (2.32 - 9.25)
	10	07	07	24	2.17	1.52	1.52	5.2 (2.4 - 6.5)	1210 (400 - 1950)	5.83 (2.32 - 9.25)
	13	07	07	27	2.50	1.35	1.35	5.2 (2.4 - 6.5)	1200 (400 - 1950)	5.78 (2.32 - 9.25)
	16	07	07	30	2.78	1.21	1.21	5.2 (2.4 - 6.5)	1190 (400 - 1950)	5.73 (2.32 - 9.25)
	10	10	07	27	1.93	1.93	1.34	5.2 (2.4 - 6.5)	1200 (400 - 1950)	5.78 (2.32 - 9.25)
	13	10	07	30	2.25	1.73	1.21	5.2 (2.4 - 6.5)	1190 (400 - 1950)	5.73 (2.32 - 9.25)
	16	10	07	33	2.52	1.58	1.10	5.2 (2.4 - 6.5)	1180 (400 - 1950)	5.69 (2.32 - 9.25)
	13	13	07	33	2.05	2.05	1.09	5.2 (2.4 - 6.5)	1180 (400 - 1950)	5.69 (2.32 - 9.25)
	16	13	07	36	2.31	1.88	1.01	5.2 (2.4 - 6.5)	1170 (400 - 1950)	5.64 (2.32 - 9.25)
	10	10	10	30	1.74	1.73	1.73	5.2 (2.4 - 6.5)	1190 (400 - 1950)	5.73 (2.32 - 9.25)
13	10	10	33	2.06	1.58	1.58	5.2 (2.4 - 6.5)	1180 (400 - 1950)	5.69 (2.32 - 9.25)	
16	10	10	36	2.31	1.44	1.44	5.2 (2.4 - 6.5)	1170 (400 - 1950)	5.64 (2.32 - 9.25)	
13	13	10	36	1.88	1.88	1.45	5.2 (2.4 - 6.5)	1170 (400 - 1950)	5.64 (2.32 - 9.25)	

•The above specification values are those under the conditions that the indoor DB/WB=27/19 °C and the outdoor DB/WB=35/-°C.

< Cooling / 230V >

Operating status	Indoor unit				Unit capacity (kW)			Total		
	A	B	C	ΣkBTU	A	B	C	Cooling capacity (kW)	Power consumption (W)	Operating current (A)
1 unit	05	-	-	5	1.50	-	-	1.5 (1.3 - 1.8)	310 (270 - 380)	1.73 (1.52 - 1.78)
	07	-	-	7	2.00	-	-	2.0 (1.4 - 2.5)	410 (280 - 650)	2.29 (1.58 - 3.04)
	10	-	-	10	2.70	-	-	2.7 (1.4 - 3.2)	650 (280 - 890)	3.25 (1.58 - 4.12)
	13	-	-	13	3.70	-	-	3.7 (1.5 - 4.1)	1080 (280 - 1380)	5.00 (1.58 - 6.32)
	16	-	-	16	4.50	-	-	4.5 (1.6 - 5.3)	1370 (280 - 1950)	6.27 (1.58 - 8.92)
2 units	05	05	-	10	1.50	1.50	-	3.0 (2.4 - 6.0)	620 (390 - 1890)	2.87 (2.17 - 8.61)
	07	05	-	12	2.00	1.50	-	3.5 (2.4 - 6.0)	780 (390 - 1880)	3.61 (2.17 - 8.60)
	10	05	-	15	2.70	1.50	-	4.2 (2.4 - 6.0)	1050 (390 - 1890)	4.86 (2.17 - 8.59)
	13	05	-	18	3.70	1.50	-	5.2 (2.4 - 6.2)	1550 (390 - 1920)	7.09 (2.17 - 8.72)
	16	05	-	21	3.90	1.30	-	5.2 (2.4 - 6.2)	1590 (390 - 1890)	7.28 (2.17 - 8.59)
	07	07	-	14	2.00	2.00	-	4.0 (2.4 - 6.0)	970 (390 - 1890)	4.50 (2.17 - 8.61)
	10	07	-	17	2.76	1.94	-	4.7 (2.4 - 6.0)	1290 (390 - 1880)	5.93 (2.17 - 8.54)
	13	07	-	20	3.38	1.82	-	5.2 (2.4 - 6.1)	1530 (390 - 1890)	6.99 (2.17 - 8.59)
	16	07	-	23	3.62	1.58	-	5.2 (2.4 - 6.2)	1420 (390 - 1920)	6.51 (2.17 - 8.72)
	10	10	-	20	2.60	2.60	-	5.2 (2.4 - 6.1)	1570 (390 - 1890)	7.17 (2.17 - 8.59)
	13	10	-	23	2.94	2.26	-	5.2 (2.4 - 6.0)	1520 (390 - 1900)	6.95 (2.17 - 8.63)
	16	10	-	26	3.20	2.00	-	5.2 (2.4 - 6.3)	1410 (390 - 1920)	6.46 (2.17 - 8.72)
	13	13	-	26	2.60	2.60	-	5.2 (2.4 - 6.1)	1450 (390 - 1920)	6.73 (2.17 - 8.72)
	16	13	-	29	2.87	2.33	-	5.2 (2.4 - 6.2)	1380 (390 - 1930)	6.33 (2.17 - 8.76)
	16	16	-	32	2.60	2.60	-	5.2 (2.4 - 6.4)	1340 (390 - 1950)	6.15 (2.17 - 8.85)

• The above specification values are those under the conditions that the indoor DB/WB=27/19 °C and the outdoor DB/WB=35/- °C.

< Cooling / 230V >

Operating status	Indoor unit				Unit capacity (kW)			Total		
	A	B	C	ΣkBTU	A	B	C	Cooling capacity (kW)	Power consumption (W)	Operating current (A)
	3 units	05	05	05	15	1.50	1.50	1.50	4.5 (2.4 - 6.3)	1130 (400 - 1890)
	07	05	05	17	2.00	1.50	1.50	5.0 (2.4 - 6.4)	1390 (400 - 1890)	6.43 (2.22 - 8.58)
	10	05	05	20	2.46	1.37	1.37	5.2 (2.4 - 6.5)	1530 (400 - 1890)	7.08 (2.22 - 8.58)
	13	05	05	23	2.87	1.16	1.16	5.2 (2.4 - 6.5)	1210 (400 - 1950)	5.60 (2.22 - 8.85)
	16	05	05	26	3.12	1.04	1.04	5.2 (2.4 - 6.5)	1200 (400 - 1950)	5.55 (2.22 - 8.85)
	07	07	05	19	1.89	1.89	1.42	5.2 (2.4 - 6.5)	1560 (400 - 1950)	7.22 (2.22 - 8.85)
	10	07	05	22	2.26	1.68	1.26	5.2 (2.4 - 6.5)	1220 (400 - 1950)	5.64 (2.22 - 8.85)
	13	07	05	25	2.67	1.44	1.08	5.2 (2.4 - 6.5)	1410 (400 - 1950)	6.52 (2.22 - 8.85)
	16	07	05	28	2.93	1.30	0.98	5.2 (2.4 - 6.5)	1190 (400 - 1950)	5.50 (2.22 - 8.85)
	10	10	05	25	2.03	2.03	1.13	5.2 (2.4 - 6.5)	1210 (400 - 1950)	5.60 (2.22 - 8.85)
	13	10	05	28	2.44	1.78	0.99	5.2 (2.4 - 6.5)	1200 (400 - 1950)	5.55 (2.22 - 8.85)
	16	10	05	31	2.69	1.61	0.90	5.2 (2.4 - 6.5)	1190 (400 - 1950)	5.50 (2.22 - 8.85)
	13	13	05	31	2.16	2.16	0.88	5.2 (2.4 - 6.5)	1180 (400 - 1950)	5.46 (2.22 - 8.85)
	16	13	05	34	2.41	1.98	0.80	5.2 (2.4 - 6.5)	1170 (400 - 1950)	5.41 (2.22 - 8.85)
	07	07	07	21	1.74	1.73	1.73	5.2 (2.4 - 6.5)	1220 (400 - 1950)	5.62 (2.22 - 8.85)
	10	07	07	24	2.17	1.52	1.52	5.2 (2.4 - 6.5)	1210 (400 - 1950)	5.57 (2.22 - 8.85)
	13	07	07	27	2.50	1.35	1.35	5.2 (2.4 - 6.5)	1200 (400 - 1950)	5.53 (2.22 - 8.85)
	16	07	07	30	2.78	1.21	1.21	5.2 (2.4 - 6.5)	1190 (400 - 1950)	5.48 (2.22 - 8.85)
	10	10	07	27	1.93	1.93	1.34	5.2 (2.4 - 6.5)	1200 (400 - 1950)	5.53 (2.22 - 8.85)
	13	10	07	30	2.25	1.73	1.21	5.2 (2.4 - 6.5)	1190 (400 - 1950)	5.48 (2.22 - 8.85)
	16	10	07	33	2.52	1.58	1.10	5.2 (2.4 - 6.5)	1180 (400 - 1950)	5.44 (2.22 - 8.85)
	13	13	07	33	2.05	2.05	1.09	5.2 (2.4 - 6.5)	1180 (400 - 1950)	5.44 (2.22 - 8.85)
	16	13	07	36	2.31	1.88	1.01	5.2 (2.4 - 6.5)	1170 (400 - 1950)	5.39 (2.22 - 8.85)
	10	10	10	30	1.74	1.73	1.73	5.2 (2.4 - 6.5)	1190 (400 - 1950)	5.48 (2.22 - 8.85)
	13	10	10	33	2.06	1.58	1.58	5.2 (2.4 - 6.5)	1180 (400 - 1950)	5.44 (2.22 - 8.85)
	16	10	10	36	2.31	1.44	1.44	5.2 (2.4 - 6.5)	1170 (400 - 1950)	5.39 (2.22 - 8.85)
	13	13	10	36	1.88	1.88	1.45	5.2 (2.4 - 6.5)	1170 (400 - 1950)	5.39 (2.22 - 8.85)

• The above specification values are those under the conditions that the indoor DB/WB=27/19 °C and the outdoor DB/WB=35/-°C.

< Cooling / 240V >

Operating status	Indoor unit				Unit capacity (kW)			Total		
	A	B	C	ΣkBTU	A	B	C	Cooling capacity (kW)	Power consumption (W)	Operating current (A)
1 unit	05	-	-	5	1.50	-	-	1.5 (1.3 - 1.8)	310 (270 - 380)	1.66 (1.46 - 1.70)
	07	-	-	7	2.00	-	-	2.0 (1.4 - 2.5)	410 (280 - 650)	2.19 (1.52 - 2.91)
	10	-	-	10	2.70	-	-	2.7 (1.4 - 3.2)	650 (280 - 890)	3.11 (1.52 - 3.95)
	13	-	-	13	3.70	-	-	3.7 (1.5 - 4.1)	1080 (280 - 1380)	4.79 (1.52 - 6.05)
	16	-	-	16	4.50	-	-	4.5 (1.6 - 5.3)	1370 (280 - 1950)	6.01 (1.52 - 8.55)
2 units	05	05	-	10	1.50	1.50	-	3.0 (2.4 - 6.0)	620 (390 - 1890)	2.75 (2.08 - 8.25)
	07	05	-	12	2.00	1.50	-	3.5 (2.4 - 6.0)	780 (390 - 1880)	3.46 (2.08 - 8.25)
	10	05	-	15	2.70	1.50	-	4.2 (2.4 - 6.0)	1050 (390 - 1890)	4.65 (2.08 - 8.23)
	13	05	-	18	3.70	1.50	-	5.2 (2.4 - 6.2)	1550 (390 - 1920)	6.80 (2.08 - 8.36)
	16	05	-	21	3.90	1.30	-	5.2 (2.4 - 6.2)	1590 (390 - 1890)	6.97 (2.08 - 8.23)
	07	07	-	14	2.00	2.00	-	4.0 (2.4 - 6.0)	970 (390 - 1890)	4.31 (2.08 - 8.25)
	10	07	-	17	2.76	1.94	-	4.7 (2.4 - 6.0)	1290 (390 - 1880)	5.68 (2.08 - 8.19)
	13	07	-	20	3.38	1.82	-	5.2 (2.4 - 6.1)	1530 (390 - 1890)	6.70 (2.08 - 8.23)
	16	07	-	23	3.62	1.58	-	5.2 (2.4 - 6.2)	1420 (390 - 1920)	6.24 (2.08 - 8.36)
	10	10	-	20	2.60	2.60	-	5.2 (2.4 - 6.1)	1570 (390 - 1890)	6.87 (2.08 - 8.23)
	13	10	-	23	2.94	2.26	-	5.2 (2.4 - 6.0)	1520 (390 - 1900)	6.66 (2.08 - 8.27)
	16	10	-	26	3.20	2.00	-	5.2 (2.4 - 6.3)	1410 (390 - 1920)	6.19 (2.08 - 8.36)
	13	13	-	26	2.60	2.60	-	5.2 (2.4 - 6.1)	1450 (390 - 1920)	6.45 (2.08 - 8.36)
	16	13	-	29	2.87	2.33	-	5.2 (2.4 - 6.2)	1380 (390 - 1930)	6.07 (2.08 - 8.40)
	16	16	-	32	2.60	2.60	-	5.2 (2.4 - 6.4)	1340 (390 - 1950)	5.90 (2.08 - 8.48)

·The above specification values are those under the conditions that the indoor DB/WB=27/19 °C and the outdoor DB/WB=35/-°C.

< Cooling / 240V >

Operating status	Indoor unit				Unit capacity (kW)			Total		
	A	B	C	ΣkBTU	A	B	C	Cooling capacity (kW)	Power consumption (W)	Operating current (A)
3 units	05	05	05	15	1.50	1.50	1.50	4.5 (2.4 - 6.3)	1130 (400 - 1890)	5.01 (2.13 - 8.22)
	07	05	05	17	2.00	1.50	1.50	5.0 (2.4 - 6.4)	1390 (400 - 1890)	6.16 (2.13 - 8.22)
	10	05	05	20	2.46	1.37	1.37	5.2 (2.4 - 6.5)	1530 (400 - 1890)	6.78 (2.13 - 8.22)
	13	05	05	23	2.87	1.16	1.16	5.2 (2.4 - 6.5)	1210 (400 - 1950)	5.36 (2.13 - 8.48)
	16	05	05	26	3.12	1.04	1.04	5.2 (2.4 - 6.5)	1200 (400 - 1950)	5.32 (2.13 - 8.48)
	07	07	05	19	1.89	1.89	1.42	5.2 (2.4 - 6.5)	1560 (400 - 1950)	6.91 (2.13 - 8.48)
	10	07	05	22	2.26	1.68	1.26	5.2 (2.4 - 6.5)	1410 (400 - 1950)	6.25 (2.13 - 8.48)
	13	07	05	25	2.67	1.44	1.08	5.2 (2.4 - 6.5)	1220 (400 - 1950)	5.41 (2.13 - 8.48)
	16	07	05	28	2.93	1.30	0.98	5.2 (2.4 - 6.5)	1190 (400 - 1950)	5.27 (2.13 - 8.48)
	10	10	05	25	2.03	2.03	1.13	5.2 (2.4 - 6.5)	1210 (400 - 1950)	5.36 (2.13 - 8.48)
	13	10	05	28	2.44	1.78	0.99	5.2 (2.4 - 6.5)	1200 (400 - 1950)	5.32 (2.13 - 8.48)
	16	10	05	31	2.69	1.61	0.90	5.2 (2.4 - 6.5)	1190 (400 - 1950)	5.27 (2.13 - 8.48)
	13	13	05	31	2.16	2.16	0.88	5.2 (2.4 - 6.5)	1180 (400 - 1950)	5.23 (2.13 - 8.48)
	16	13	05	34	2.41	1.98	0.80	5.2 (2.4 - 6.5)	1170 (400 - 1950)	5.19 (2.13 - 8.48)
	07	07	07	21	1.74	1.73	1.73	5.2 (2.4 - 6.5)	1220 (400 - 1950)	5.38 (2.13 - 8.48)
	10	07	07	24	2.17	1.52	1.52	5.2 (2.4 - 6.5)	1210 (400 - 1950)	5.34 (2.13 - 8.48)
	13	07	07	27	2.50	1.35	1.35	5.2 (2.4 - 6.5)	1200 (400 - 1950)	5.30 (2.13 - 8.48)
	16	07	07	30	2.78	1.21	1.21	5.2 (2.4 - 6.5)	1190 (400 - 1950)	5.26 (2.13 - 8.48)
	10	10	07	27	1.93	1.93	1.34	5.2 (2.4 - 6.5)	1200 (400 - 1950)	5.30 (2.13 - 8.48)
	13	10	07	30	2.25	1.73	1.21	5.2 (2.4 - 6.5)	1190 (400 - 1950)	5.26 (2.13 - 8.48)
	16	10	07	33	2.52	1.58	1.10	5.2 (2.4 - 6.5)	1180 (400 - 1950)	5.21 (2.13 - 8.48)
	13	13	07	33	2.05	2.05	1.09	5.2 (2.4 - 6.5)	1180 (400 - 1950)	5.21 (2.13 - 8.48)
	16	13	07	36	2.31	1.88	1.01	5.2 (2.4 - 6.5)	1170 (400 - 1950)	5.17 (2.13 - 8.48)
	10	10	10	30	1.74	1.73	1.73	5.2 (2.4 - 6.5)	1190 (400 - 1950)	5.26 (2.13 - 8.48)
	13	10	10	33	2.06	1.58	1.58	5.2 (2.4 - 6.5)	1180 (400 - 1950)	5.21 (2.13 - 8.48)
	16	10	10	36	2.31	1.44	1.44	5.2 (2.4 - 6.5)	1170 (400 - 1950)	5.17 (2.13 - 8.48)
	13	13	10	36	1.88	1.88	1.45	5.2 (2.4 - 6.5)	1170 (400 - 1950)	5.17 (2.13 - 8.48)

•The above specification values are those under the conditions that the indoor DB/WB=27/19 °C and the outdoor DB/WB=35/-°C.

Outdoor unit : RAS-3M18U2AVG-E,-TR

< Heating / 220V >

Operating status	Indoor unit				Unit capacity (kW)			Total		
	A	B	C	ΣkBTU	A	B	C	Heating capacity (kW)	Power consumption (W)	Operating current (A)
1 unit	05	-	-	5	2.00	-	-	2.0 (1.1 - 2.5)	460 (210 - 590)	2.46 (1.26 - 2.82)
	07	-	-	7	2.70	-	-	2.7 (1.1 - 3.4)	630 (210 - 980)	3.37 (1.26 - 4.69)
	10	-	-	10	4.00	-	-	4.0 (1.1 - 4.8)	1160 (210 - 1560)	5.61 (1.26 - 7.46)
	13	-	-	13	5.00	-	-	5.0 (1.1 - 5.3)	1580 (220 - 1770)	7.56 (1.32 - 8.47)
	16	-	-	16	5.50	-	-	5.5 (1.1 - 6.5)	1700 (220 - 2320)	8.13 (1.32 - 11.10)
2 units	05	05	-	10	2.00	2.00	-	4.0 (1.9 - 6.7)	1000 (390 - 2140)	4.79 (2.28 - 10.12)
	07	05	-	12	2.70	2.00	-	4.7 (1.9 - 6.8)	1270 (390 - 2190)	6.08 (2.28 - 10.36)
	10	05	-	15	4.00	2.00	-	6.0 (1.9 - 6.9)	1700 (390 - 2250)	8.13 (2.28 - 10.64)
	13	05	-	18	4.86	1.94	-	6.8 (1.9 - 7.0)	1920 (390 - 2280)	9.15 (2.28 - 10.79)
	16	05	-	21	4.99	1.81	-	6.8 (1.9 - 7.1)	1920 (390 - 2300)	9.15 (2.28 - 10.88)
	07	07	-	14	2.70	2.70	-	5.4 (1.9 - 7.2)	1410 (370 - 2300)	6.68 (2.16 - 10.88)
	10	07	-	17	3.94	2.76	-	6.7 (1.9 - 7.2)	1900 (370 - 2260)	9.01 (2.16 - 10.69)
	13	07	-	20	4.42	2.95	-	6.8 (1.9 - 7.5)	1920 (370 - 2310)	9.09 (2.16 - 10.93)
	16	07	-	23	4.73	2.07	-	6.8 (1.9 - 7.5)	1820 (350 - 2140)	8.62 (2.05 - 10.14)
	10	10	-	20	3.40	3.40	-	6.8 (1.9 - 7.3)	1920 (370 - 2210)	9.09 (2.16 - 10.46)
	13	10	-	23	3.84	2.96	-	6.8 (1.9 - 7.5)	1920 (370 - 2260)	9.09 (2.16 - 10.69)
	16	10	-	26	4.18	2.62	-	6.8 (1.9 - 7.5)	1790 (350 - 2130)	8.48 (2.05 - 10.09)
	13	13	-	26	3.40	3.40	-	6.8 (1.9 - 7.5)	1870 (370 - 2220)	8.85 (2.16 - 10.51)
	16	13	-	29	3.75	3.05	-	6.8 (1.9 - 7.5)	1730 (350 - 2070)	8.19 (2.05 - 9.81)
	16	16	-	32	3.40	3.40	-	6.8 (1.9 - 7.5)	1640 (350 - 1960)	7.77 (2.05 - 9.30)

• The above specification values are those under the conditions that the indoor DB/WB=20/- °C and the outdoor DB/WB=7/6°C.

< Heating / 220V >

Operating status	Indoor unit				Unit capacity (kW)			Total		
	A	B	C	ΣkBTU	A	B	C	Heating capacity (kW)	Power consumption (W)	Operating current (A)
3 units	05	05	05	15	2.00	2.00	2.00	6.0 (1.9 - 7.9)	1700 (400 - 2250)	8.13 (2.34 - 10.64)
	07	05	05	17	2.70	2.00	2.00	6.7 (1.9 - 8.0)	1900 (400 - 2250)	9.09 (2.34 - 10.64)
	10	05	05	20	3.40	1.70	1.70	6.8 (1.9 - 8.0)	1920 (400 - 2210)	9.19 (2.34 - 10.45)
	13	05	05	23	3.78	1.51	1.51	6.8 (1.9 - 8.0)	1920 (400 - 2260)	9.19 (2.34 - 10.69)
	16	05	05	26	3.94	1.43	1.43	6.8 (1.9 - 8.0)	1790 (400 - 2130)	8.56 (2.34 - 10.07)
	07	07	05	19	2.48	2.48	1.84	6.8 (1.9 - 8.0)	1920 (400 - 2300)	9.19 (2.34 - 10.88)
	10	07	05	22	3.13	2.11	1.56	6.8 (1.9 - 8.0)	1690 (400 - 2310)	8.09 (2.34 - 10.93)
	13	07	05	25	3.51	1.89	1.40	6.8 (1.9 - 8.0)	1670 (400 - 2280)	7.99 (2.34 - 10.78)
	16	07	05	28	3.67	1.80	1.33	6.8 (1.9 - 8.0)	1660 (400 - 2260)	7.94 (2.34 - 10.69)
	10	10	05	25	2.72	2.72	1.36	6.8 (1.9 - 8.0)	1870 (400 - 2220)	8.95 (2.34 - 10.50)
	13	10	05	28	3.09	2.47	1.24	6.8 (1.9 - 8.0)	1650 (400 - 2250)	7.89 (2.34 - 10.64)
	16	10	05	31	3.25	2.37	1.18	6.8 (1.9 - 8.0)	1640 (400 - 2250)	7.85 (2.34 - 10.64)
	13	13	05	31	2.83	2.83	1.13	6.8 (1.9 - 8.0)	1630 (400 - 2210)	7.80 (2.34 - 10.45)
	16	13	05	34	2.99	2.72	1.09	6.8 (1.9 - 8.0)	1620 (400 - 2200)	7.75 (2.34 - 10.41)
	07	07	07	21	2.26	2.27	2.27	6.8 (1.9 - 8.0)	1700 (350 - 2320)	8.10 (2.05 - 10.97)
	10	07	07	24	2.84	1.98	1.98	6.8 (1.9 - 8.0)	1680 (350 - 2290)	8.01 (2.05 - 10.83)
	13	07	07	27	3.26	1.76	1.76	6.8 (1.9 - 8.0)	1650 (350 - 2250)	7.87 (2.05 - 10.65)
	16	07	07	30	3.64	1.59	1.59	6.8 (1.9 - 8.0)	1600 (340 - 2150)	7.64 (1.99 - 10.18)
	10	10	07	27	2.52	2.52	1.76	6.8 (1.9 - 8.0)	1660 (350 - 2260)	7.91 (2.05 - 10.69)
	13	10	07	30	2.95	2.27	1.59	6.8 (1.9 - 8.0)	1640 (350 - 2220)	7.82 (2.05 - 10.51)
	16	10	07	33	3.30	2.06	1.44	6.8 (1.9 - 8.0)	1590 (340 - 2130)	7.59 (1.99 - 10.09)
	13	13	07	33	2.68	2.68	1.43	6.8 (1.9 - 8.0)	1620 (350 - 2190)	7.73 (2.05 - 10.37)
	16	13	07	36	3.02	2.46	1.32	6.8 (1.9 - 8.0)	1580 (340 - 2110)	7.54 (1.99 - 10.00)
	10	10	10	30	2.26	2.27	2.27	6.8 (1.9 - 8.0)	1650 (350 - 2230)	7.87 (2.05 - 10.55)
13	10	10	33	2.68	2.06	2.06	6.8 (1.9 - 8.0)	1620 (350 - 2200)	7.73 (2.05 - 10.41)	
16	10	10	36	3.03	1.89	1.89	6.8 (1.9 - 8.0)	1580 (330 - 2090)	7.54 (1.94 - 9.90)	
13	13	10	36	2.46	2.46	1.89	6.8 (1.9 - 8.0)	1620 (350 - 2160)	7.73 (2.05 - 10.23)	

•The above specification values are those under the conditions that the indoor DB/WB=20/- °C and the outdoor DB/WB=7/6 °C.

< Heating / 230V >

Operating status	Indoor unit				Unit capacity (kW)			Total		
	A	B	C	ΣkBTU	A	B	C	Heating capacity (kW)	Power consumption (W)	Operating current (A)
1 unit	05	-	-	5	2.00	-	-	2.0 (1.1 - 2.5)	460 (210 - 590)	2.35 (1.20 - 2.70)
	07	-	-	7	2.70	-	-	2.7 (1.1 - 3.4)	630 (210 - 980)	3.24 (1.20 - 4.50)
	10	-	-	10	4.00	-	-	4.0 (1.1 - 4.8)	1160 (210 - 1560)	5.38 (1.20 - 7.15)
	13	-	-	13	5.00	-	-	5.0 (1.1 - 5.3)	1580 (220 - 1770)	7.25 (1.25 - 8.10)
	16	-	-	16	5.50	-	-	5.5 (1.1 - 6.5)	1700 (220 - 2320)	7.80 (1.25 - 10.65)
2 units	05	05	-	10	2.00	2.00	-	4.0 (1.9 - 6.7)	1000 (390 - 2140)	4.58 (2.18 - 9.70)
	07	05	-	12	2.70	2.00	-	4.7 (1.9 - 6.8)	1270 (390 - 2190)	5.81 (2.18 - 9.90)
	10	05	-	15	4.00	2.00	-	6.0 (1.9 - 6.9)	1700 (390 - 2250)	7.78 (2.18 - 10.20)
	13	05	-	18	4.86	1.94	-	6.8 (1.9 - 7.0)	1920 (390 - 2280)	8.75 (2.18 - 10.35)
	16	05	-	21	4.99	1.81	-	6.8 (1.9 - 7.1)	1920 (390 - 2300)	8.75 (2.18 - 10.40)
	07	07	-	14	2.70	2.70	-	5.4 (1.9 - 7.2)	1410 (370 - 2300)	6.39 (2.07 - 10.40)
	10	07	-	17	3.94	2.76	-	6.7 (1.9 - 7.2)	1900 (370 - 2260)	8.61 (2.07 - 10.25)
	13	07	-	20	4.42	2.95	-	6.8 (1.9 - 7.5)	1920 (370 - 2310)	8.70 (2.07 - 10.45)
	16	07	-	23	4.73	2.07	-	6.8 (1.9 - 7.5)	1820 (350 - 2140)	8.24 (1.96 - 9.70)
	10	10	-	20	3.40	3.40	-	6.8 (1.9 - 7.3)	1920 (370 - 2210)	8.70 (2.07 - 10.00)
	13	10	-	23	3.84	2.96	-	6.8 (1.9 - 7.5)	1920 (370 - 2260)	8.70 (2.07 - 10.25)
	16	10	-	26	4.18	2.62	-	6.8 (1.9 - 7.5)	1790 (350 - 2130)	8.11 (1.96 - 9.65)
	13	13	-	26	3.40	3.40	-	6.8 (1.9 - 7.5)	1870 (370 - 2220)	8.47 (2.07 - 10.05)
	16	13	-	29	3.75	3.05	-	6.8 (1.9 - 7.5)	1730 (350 - 2070)	7.84 (1.96 - 9.40)
	16	16	-	32	3.40	3.40	-	6.8 (1.9 - 7.5)	1640 (350 - 1960)	7.43 (1.96 - 8.90)

•The above specification values are those under the conditions that the indoor DB/WB=20/- °C and the outdoor DB/WB=7/6°C.

< Heating / 230V >

Operating status	Indoor unit				Unit capacity (kW)			Total		
	A	B	C	ΣkBTU	A	B	C	Heating capacity (kW)	Power consumption (W)	Operating current (A)
3 units	05	05	05	15	2.00	2.00	2.00	6.0 (1.9 - 7.9)	1700 (400 - 2250)	7.78 (2.24 - 10.20)
	07	05	05	17	2.70	2.00	2.00	6.7 (1.9 - 8.0)	1900 (400 - 2250)	8.70 (2.24 - 10.20)
	10	05	05	20	3.40	1.70	1.70	6.8 (1.9 - 8.0)	1920 (400 - 2210)	8.79 (2.24 - 10.00)
	13	05	05	23	3.78	1.51	1.51	6.8 (1.9 - 8.0)	1920 (400 - 2260)	8.79 (2.24 - 10.25)
	16	05	05	26	3.94	1.43	1.43	6.8 (1.9 - 8.0)	1790 (400 - 2130)	8.19 (2.24 - 9.65)
	07	07	05	19	2.48	2.48	1.84	6.8 (1.9 - 8.0)	1920 (400 - 2300)	8.79 (2.24 - 10.40)
	10	07	05	22	3.13	2.11	1.56	6.8 (1.9 - 8.0)	1690 (400 - 2310)	7.73 (2.24 - 10.45)
	13	07	05	25	3.51	1.89	1.40	6.8 (1.9 - 8.0)	1670 (400 - 2280)	7.64 (2.24 - 10.35)
	16	07	05	28	3.67	1.80	1.33	6.8 (1.9 - 8.0)	1660 (400 - 2260)	7.60 (2.24 - 10.25)
	10	10	05	25	2.72	2.72	1.36	6.8 (1.9 - 8.0)	1870 (400 - 2220)	8.56 (2.24 - 10.05)
	13	10	05	28	3.09	2.47	1.24	6.8 (1.9 - 8.0)	1650 (400 - 2250)	7.55 (2.24 - 10.20)
	16	10	05	31	3.25	2.37	1.18	6.8 (1.9 - 8.0)	1640 (400 - 2250)	7.51 (2.24 - 10.20)
	13	13	05	31	2.83	2.83	1.13	6.8 (1.9 - 8.0)	1630 (400 - 2210)	7.46 (2.24 - 10.00)
	16	13	05	34	2.99	2.72	1.09	6.8 (1.9 - 8.0)	1620 (400 - 2200)	7.41 (2.24 - 9.95)
	07	07	07	21	2.26	2.27	2.27	6.8 (1.9 - 8.0)	1700 (350 - 2320)	7.75 (1.96 - 10.50)
	10	07	07	24	2.84	1.98	1.98	6.8 (1.9 - 8.0)	1680 (350 - 2290)	7.66 (1.96 - 10.35)
	13	07	07	27	3.26	1.76	1.76	6.8 (1.9 - 8.0)	1650 (350 - 2250)	7.53 (1.96 - 10.20)
	16	07	07	30	3.64	1.59	1.59	6.8 (1.9 - 8.0)	1600 (340 - 2150)	7.30 (1.91 - 9.75)
	10	10	07	27	2.52	2.52	1.76	6.8 (1.9 - 8.0)	1660 (350 - 2260)	7.57 (1.96 - 10.25)
	13	10	07	30	2.95	2.27	1.59	6.8 (1.9 - 8.0)	1640 (350 - 2220)	7.48 (1.96 - 10.05)
	16	10	07	33	3.30	2.06	1.44	6.8 (1.9 - 8.0)	1590 (340 - 2130)	7.26 (1.91 - 9.65)
	13	13	07	33	2.68	2.68	1.43	6.8 (1.9 - 8.0)	1620 (350 - 2190)	7.39 (1.96 - 9.90)
	16	13	07	36	3.02	2.46	1.32	6.8 (1.9 - 8.0)	1580 (340 - 2110)	7.22 (1.91 - 9.55)
	10	10	10	30	2.26	2.27	2.27	6.8 (1.9 - 8.0)	1650 (350 - 2230)	7.53 (1.96 - 10.10)
	13	10	10	33	2.68	2.06	2.06	6.8 (1.9 - 8.0)	1620 (350 - 2200)	7.39 (1.96 - 9.95)
	16	10	10	36	3.03	1.89	1.89	6.8 (1.9 - 8.0)	1580 (330 - 2090)	7.22 (1.85 - 9.50)
	13	13	10	36	2.46	2.46	1.89	6.8 (1.9 - 8.0)	1620 (350 - 2160)	7.39 (1.96 - 9.80)

•The above specification values are those under the conditions that the indoor DB/WB=20/- °C and the outdoor DB/WB=7/6 °C.

< Heating / 240V >

Operating status	Indoor unit				Unit capacity (kW)			Total		
	A	B	C	ΣkBTU	A	B	C	Heating capacity (kW)	Power consumption (W)	Operating current (A)
1 unit	05	-	-	5	2.00	-	-	2.0 (1.1 - 2.5)	460 (210 - 590)	2.25 (1.15 - 2.60)
	07	-	-	7	2.70	-	-	2.7 (1.1 - 3.4)	630 (210 - 980)	3.10 (1.15 - 4.30)
	10	-	-	10	4.00	-	-	4.0 (1.1 - 4.8)	1160 (210 - 1560)	5.15 (1.15 - 6.85)
	13	-	-	13	5.00	-	-	5.0 (1.1 - 5.3)	1580 (220 - 1770)	6.95 (1.20 - 7.75)
	16	-	-	16	5.50	-	-	5.5 (1.1 - 6.5)	1700 (220 - 2320)	7.45 (1.20 - 10.20)
2 units	05	05	-	10	2.00	2.00	-	4.0 (1.9 - 6.7)	1000 (390 - 2140)	4.40 (2.10 - 9.30)
	07	05	-	12	2.70	2.00	-	4.7 (1.9 - 6.8)	1270 (390 - 2190)	5.60 (2.10 - 9.50)
	10	05	-	15	4.00	2.00	-	6.0 (1.9 - 6.9)	1700 (390 - 2250)	7.45 (2.10 - 9.75)
	13	05	-	18	4.86	1.94	-	6.8 (1.9 - 7.0)	1920 (390 - 2280)	8.40 (2.10 - 9.90)
	16	05	-	21	4.99	1.81	-	6.8 (1.9 - 7.1)	1920 (390 - 2300)	8.40 (2.10 - 10.00)
	07	07	-	14	2.70	2.70	-	5.4 (1.9 - 7.2)	1410 (370 - 2300)	6.10 (1.98 - 10.00)
	10	07	-	17	3.94	2.76	-	6.7 (1.9 - 7.2)	1900 (370 - 2260)	8.25 (1.98 - 9.80)
	13	07	-	20	4.42	2.95	-	6.8 (1.9 - 7.5)	1920 (370 - 2310)	8.35 (1.98 - 10.05)
	16	07	-	23	4.73	2.07	-	6.8 (1.9 - 7.5)	1820 (350 - 2140)	7.90 (1.88 - 9.30)
	10	10	-	20	3.40	3.40	-	6.8 (1.9 - 7.3)	1920 (370 - 2210)	8.35 (1.98 - 9.60)
	13	10	-	23	3.84	2.96	-	6.8 (1.9 - 7.5)	1920 (370 - 2260)	8.35 (1.98 - 9.80)
	16	10	-	26	4.18	2.62	-	6.8 (1.9 - 7.5)	1790 (350 - 2130)	7.80 (1.88 - 9.25)
	13	13	-	26	3.40	3.40	-	6.8 (1.9 - 7.5)	1870 (370 - 2220)	8.15 (1.98 - 9.65)
	16	13	-	29	3.75	3.05	-	6.8 (1.9 - 7.5)	1730 (350 - 2070)	7.50 (1.88 - 9.00)
	16	16	-	32	3.40	3.40	-	6.8 (1.9 - 7.5)	1640 (350 - 1960)	7.15 (1.88 - 8.55)

•The above specification values are those under the conditions that the indoor DB/WB=20/- °C and the outdoor DB/WB=7/6°C.

< Heating / 240V >

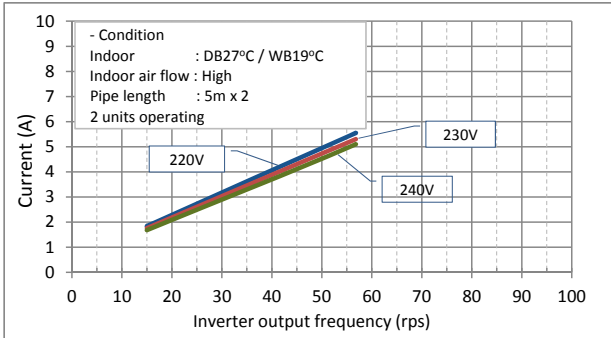
Operating status	Indoor unit				Unit capacity (kW)			Total		
	A	B	C	ΣkBTU	A	B	C	Heating capacity (kW)	Power consumption (W)	Operating current (A)
								(1.9 - 8.0)	(400 - 2250)	(2.15 - 9.76)
3 units	05	05	05	15	2.00	2.00	2.00	6.0	1700	7.46
	07	05	05	17	2.70	2.00	2.00	6.7	1900	8.35
	10	05	05	20	3.40	1.70	1.70	6.8	1920	8.40
	13	05	05	23	3.78	1.51	1.51	6.8	1920	8.40
	16	05	05	26	3.94	1.43	1.43	6.8	1790	7.85
	07	07	05	19	2.48	2.48	1.84	6.8	1920	8.40
	10	07	05	22	3.13	2.11	1.56	6.8	1690	7.41
	13	07	05	25	3.51	1.89	1.40	6.8	1670	7.35
	16	07	05	28	3.67	1.80	1.33	6.8	1660	7.30
	10	10	05	25	2.72	2.72	1.36	6.8	1870	8.20
	13	10	05	28	3.09	2.47	1.24	6.8	1650	7.25
	16	10	05	31	3.25	2.37	1.18	6.8	1640	7.20
	13	13	05	31	2.83	2.83	1.13	6.8	1630	7.15
	16	13	05	34	2.99	2.72	1.09	6.8	1620	7.10
	07	07	07	21	2.26	2.27	2.27	6.8	1700	7.45
	10	07	07	24	2.84	1.98	1.98	6.8	1680	7.35
	13	07	07	27	3.26	1.76	1.76	6.8	1650	7.20
	16	07	07	30	3.64	1.59	1.59	6.8	1600	7.00
	10	10	07	27	2.52	2.52	1.76	6.8	1660	7.25
	13	10	07	30	2.95	2.27	1.59	6.8	1640	7.17
	16	10	07	33	3.30	2.06	1.44	6.8	1590	6.96
	13	13	07	33	2.68	2.68	1.43	6.8	1620	7.10
	16	13	07	36	3.02	2.46	1.32	6.8	1580	6.92
	10	10	10	30	2.26	2.27	2.27	6.8	1650	7.21
	13	10	10	33	2.68	2.06	2.06	6.8	1620	7.10
	16	10	10	36	3.03	1.89	1.89	6.8	1580	6.92
	13	13	10	36	2.46	2.46	1.89	6.8	1620	7.10

•The above specification values are those under the conditions that the indoor DB/WB=20/- °C and the outdoor DB/WB=7/6 °C.

2-3-1. Operation Characteristic Curve

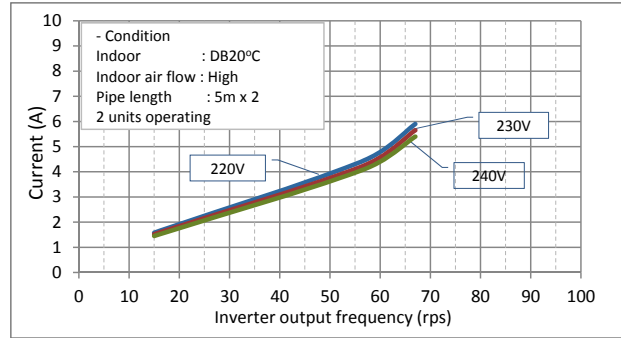
<Cooling>

RAS-2M14U2AVG-E,-TR

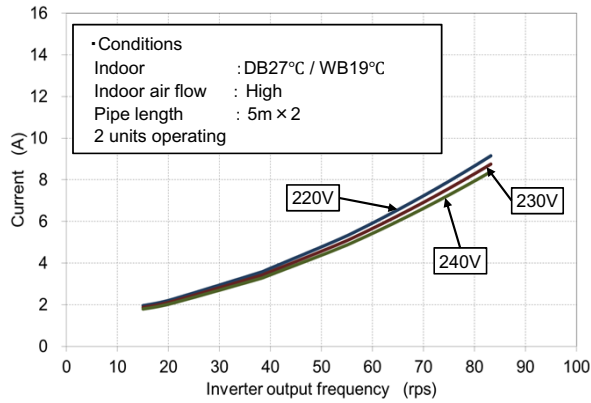


<Heating>

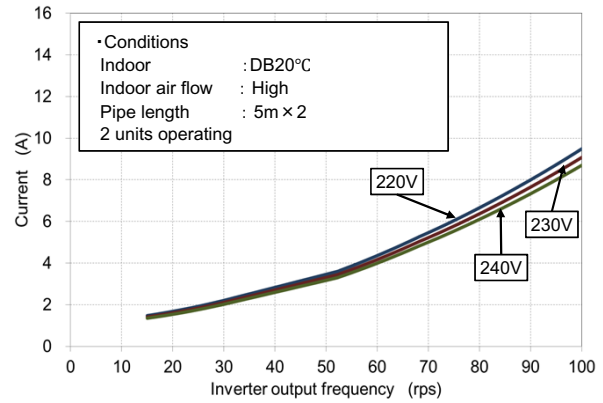
RAS-2M14U2AVG-E,-TR



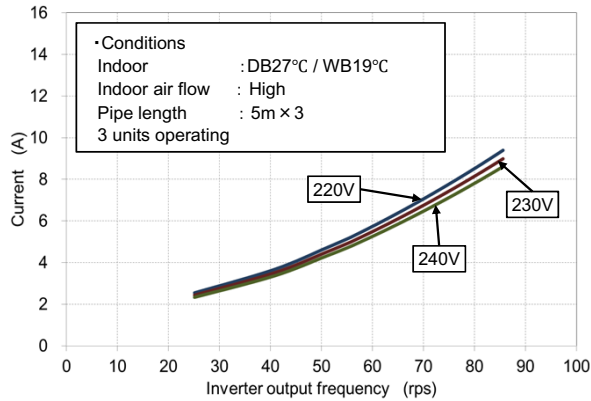
RAS-2M18U2AVG-E,-TR



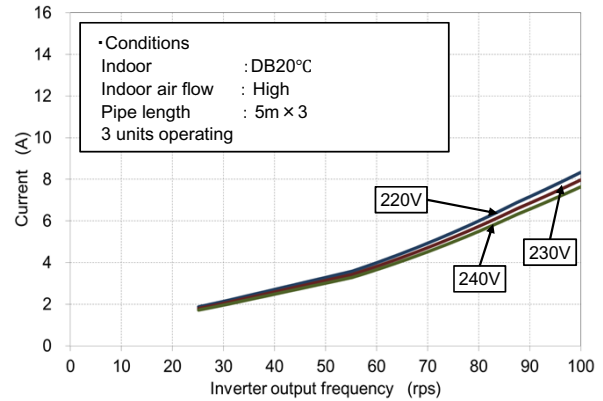
RAS-2M18U2AVG-E,-TR



RAS-3M18U2AVG-E,-TR



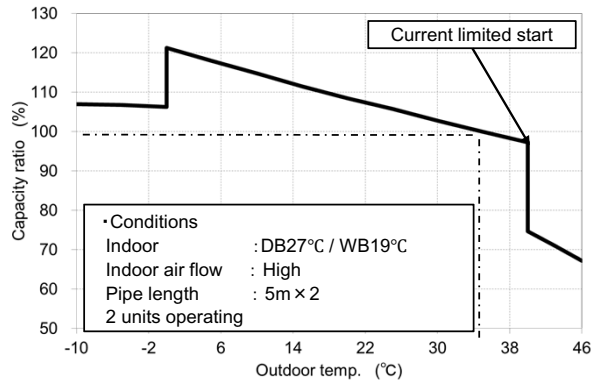
RAS-3M18U2AVG-E,-TR



2-3-2. Capacity Variation Ratio According to outdoor Temperature

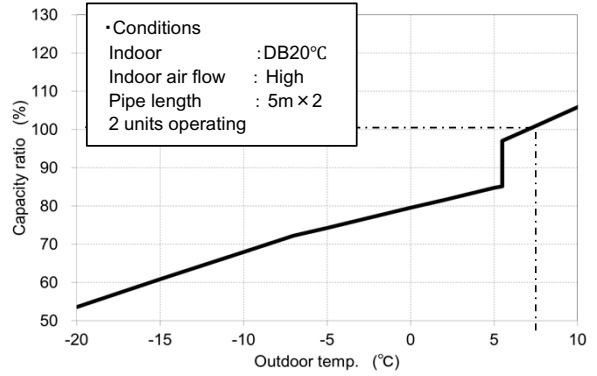
<Cooling>

RAS-2M14U2AVG-E,-TR

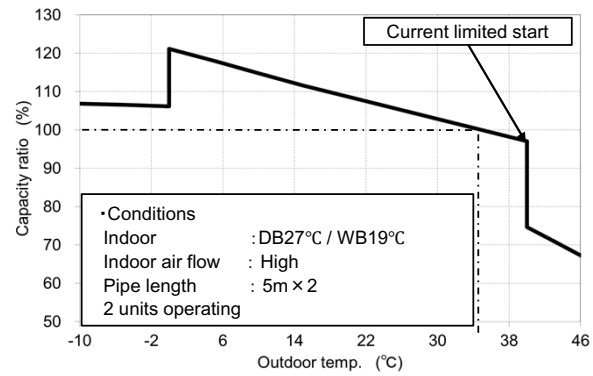


<Heating>

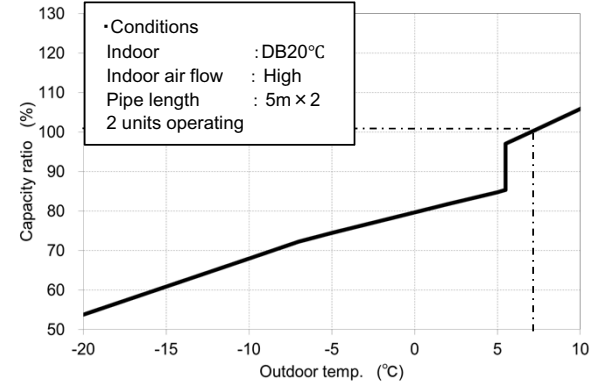
RAS-2M14U2AVG-E,-TR



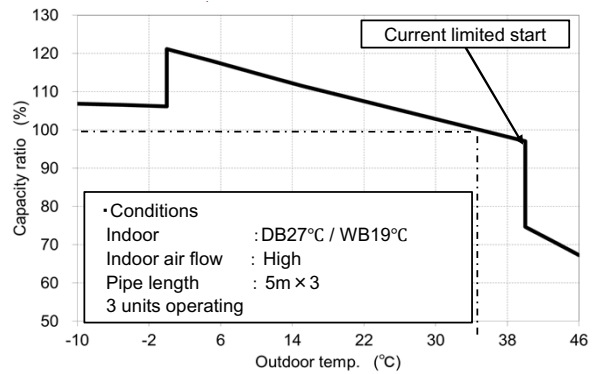
RAS-2M18U2AVG-E,-TR



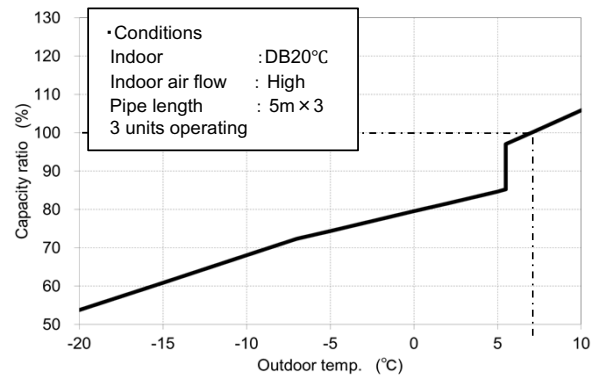
RAS-2M18U2AVG-E,-TR



RAS-3M18U2AVG-E,-TR

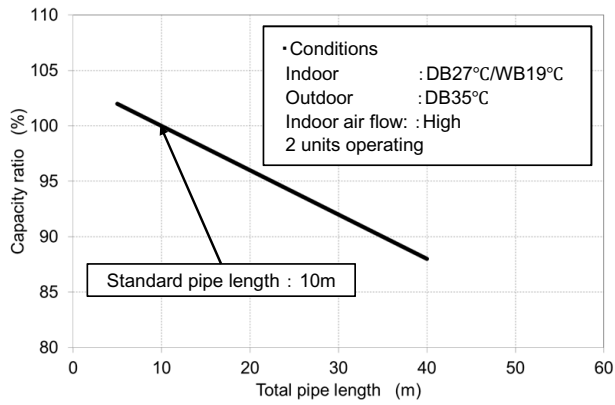


RAS-3M18U2AVG-E,-TR



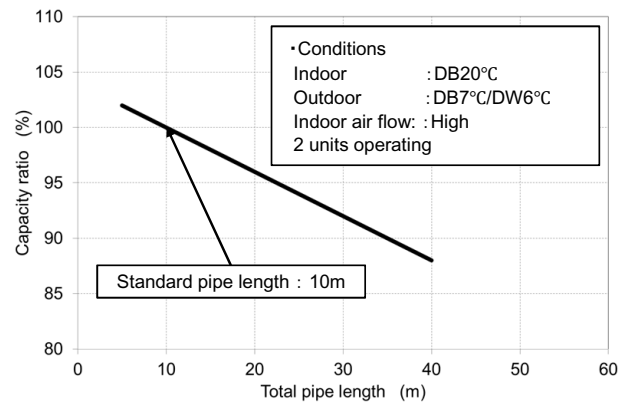
2-3-3. Capacity Variation Ratio according to Pipe Length
<Cooling>

RAS-2M14U2AVG-E,-TR

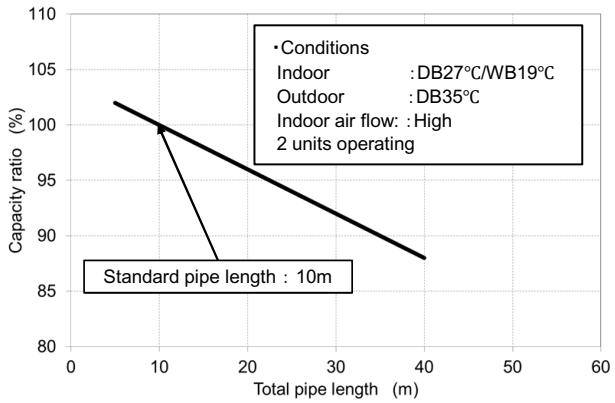


<Heating>

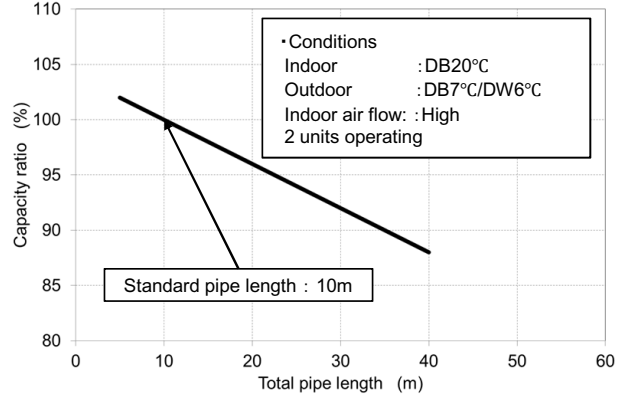
RAS-2M14U2AVG-E,-TR



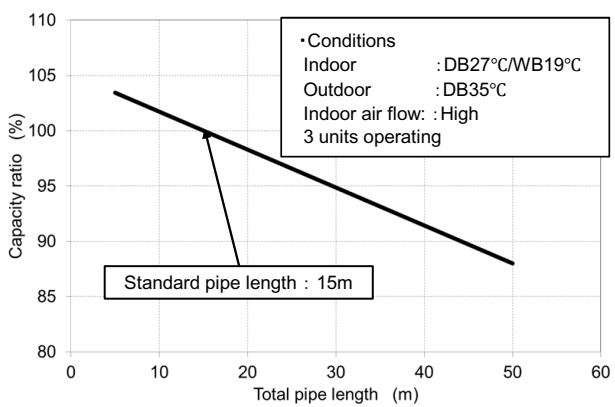
RAS-2M18U2AVG-E,-TR



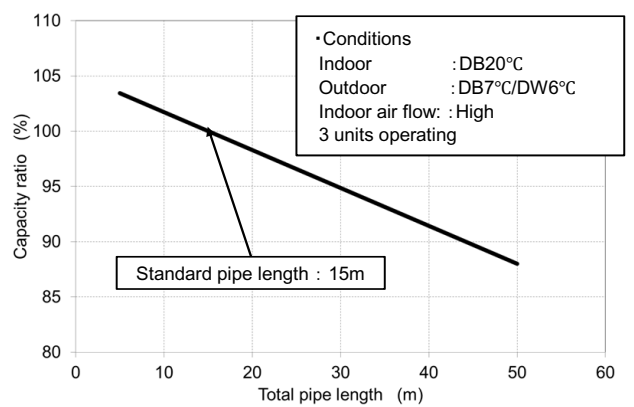
RAS-2M18U2AVG-E,-TR



RAS-3M18U2AVG-E,-TR



RAS-3M18U2AVG-E,-TR



3. REFRIGERANT R32

This air conditioner adopts the new refrigerant HFC (R32) which does not damage the ozone layer.

The next section describes the precautions for air conditioner using the new refrigerant. Conforming to contents of the next section together with the general cautions included in this manual, perform the correct and safe work.

3-1. Safety During Installation/Service

The basic installation servicing work procedures are the same as conventional R410A models.

As R32's pressure is about 1.6 times higher than that of R22, improper installation/servicing may cause a serious trouble. By using tools and materials exclusive for R32, it is necessary to carry out installation/servicing safely while taking the following precautions into consideration.

1. Never use refrigerant other than R32 in an air conditioner which is designed to operate with R32. If other refrigerant than R32 is mixed, pressure in the refrigeration cycle becomes abnormally high, and it may cause personal injury, etc. by a rupture.
2. Confirm the used refrigerant name, and use tools and materials exclusive for the refrigerant. The refrigerant name R32 is indicated on the visible place of the outdoor unit of the air conditioner using R32 as refrigerant. To prevent mischarging, the diameter of the service port differs from that of R22. R32 and other HFCs are heavier than air, and therefore they are inclined to settle near the floor surface. If the gas fills up the room or the bottom part of a room, it may also cause oxygen deficiency and may reach its combustion concentration.

In order to prevent oxygen deficiency and R32 combustion, keep the room well-ventilated for a healthy work environment.

In particular, using HFCs in a basement room or confined area creates a higher risk; be sure to furnish the room with local exhaust ventilation. If a refrigerant leak is confirmed in a room an inadequately ventilated location, do not use a flame until the area has been ventilated appropriately and the work environment has been improved.

The same applies in case of brazing, ensure appropriate ventilation to prevent oxygen deficiency and R32 combustion.

Check that there are no dangerous or combustible items nearby, and ensure a fire extinguisher is close at hand.

Keep a sufficient distance away from causes of fire (ignition sources) such as gas-burning equipment and electric heaters in places where installation, repairs, or similar work on air-conditioning equipment is performed.

3. If a refrigeration gas leakage occurs during installation/servicing, be sure to ventilate fully. If the refrigerant gas comes into contact with fire, a poisonous gas may occur.
4. When installing or removing an air conditioner, do not allow air moisture dust or oil to remain in the refrigeration cycle. Otherwise, pressure in the refrigeration cycle may become abnormally high so that a rupture or personal injury may be caused.
5. After completion of installation work, check to make sure that there is no refrigeration gas leakage. If the refrigerant gas leaks into the room, coming into contact with fire in the fan-driven heater, space heater, etc., a poisonous gas may occur
6. When an air conditioning system charged with a large volume of refrigerant is installed in a small room, it is necessary to exercise care so that, even when refrigerant leaks, its concentration does not exceed the marginal level. If the refrigerant gas leakage occurs and its concentration exceeds the marginal level, an oxygen starvation accident may result.
7. Be sure to carry out installation or removal according to the installation manual. Improper installation may cause refrigeration trouble, water leakage, electric shock, fire, etc.
8. Unauthorized modifications to the air conditioner may be dangerous. If a breakdown occurs please call a qualified air conditioner technician or electrician. Improper repair's may result in water leakage, electric shock and fire, etc.

3-2. Refrigerant Piping Installation

3-2-1. Piping Materials and Joints Used

For the refrigerant piping installation, copper pipes and joints are mainly used. Copper pipes and joints suitable for the refrigerant must be chosen and installed. Furthermore, it is necessary to use clean copper pipes and joints whose interior surfaces are less affected by contaminants.

1. Copper Pipes

It is necessary to use seamless copper pipes which are made of either copper or copper alloy and it is desirable that the amount of residual oil is less than 40 mg/10 m. Do not use copper pipes having a collapsed, deformed or discolored portion (especially on the interior surface).

Otherwise, the expansion valve or capillary tube may become blocked with contaminants.

As an air conditioner using R32 incurs pressure higher than when using R22, it is necessary to choose adequate materials.

Thicknesses of copper pipes used with R32 are as shown in Table 3-2-1. Never use copper pipes thinner than 0.8 mm even when it is available on the market.

Table 3-2-1 Thicknesses of annealed copper pipes

		Thickness (mm)	
Nominal diameter	Outer diameter (mm)	R32(R410A)	R22
1/4	6.35	0.80	0.80
3/8	9.52	0.80	0.80
1/2	12.70	0.80	0.80
5/8	15.88	1.00	1.00

2. Joints

For copper pipes, flare joints or socket joints are used. Prior to use, be sure to remove all contaminants.

a) Flare Joints

Flare joints used to connect the copper pipes cannot be used for pipings whose outer diameter exceeds 20 mm. In such a case, socket joints can be used.

Sizes of flare pipe ends, flare joint ends and flare nuts are as shown in Tables 3-2-3 to 3-2-6 below.

b) Socket Joints

Socket joints are such that they are brazed for connections, and used mainly for thick pipings whose diameter is larger than 20 mm.

Thicknesses of socket joints are as shown in Table 3-2-2.

Table 3-2-2 Minimum thicknesses of socket joints

Nominal diameter	Reference outer diameter of copper pipe jointed (mm)	Minimum joint thickness (mm)
1/4	6.35	0.50
3/8	9.52	0.60
1/2	12.70	0.70
5/8	15.88	0.80

3-2-2. Processing of Piping Materials

When performing the refrigerant piping installation, care should be taken to ensure that water or dust does not enter the pipe interior, that no other oil than lubricating oils used in the installed air-water heat pump is used, and that refrigerant does not leak. When using lubricating oils in the piping processing, use such lubricating oils whose water content has been removed. When stored, be sure to seal the container with an airtight cap or any other cover.

1. Flare processing procedures and precautions

a) Cutting the Pipe

By means of a pipe cutter, slowly cut the pipe so that it is not deformed.

b) Removing Burrs and Chips

If the flared section has chips or burrs, refrigerant leakage may occur.

Carefully remove all burrs and clean the cut surface before installation.

c) Insertion of Flare Nut

d) Flare Processing

Make certain that a clamp bar and copper pipe have been cleaned.

By means of the clamp bar, perform the flare processing correctly.

Use either a flare tool for R32 or conventional flare tool.

Flare processing dimensions differ according to the type of flare tool. When using a conventional flare tool, be sure to secure "dimension A" by using a gauge for size adjustment.

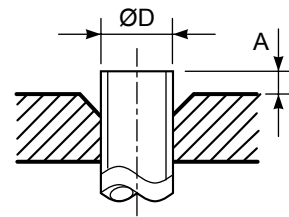


Fig. 3-2-1 Flare processing dimensions

Table 3-2-3 Dimensions related to flare processing for R32(R410A)

Nominal diameter	Outer diameter (mm)	Thickness (mm)	A (mm)		
			Flare tool for R32 clutch type	Conventional flare tool	
				Clutch type	Wing nut type
1/4	6.35	0.8	0 to 0.5	1.0 to 1.5	1.5 to 2.0
3/8	9.52	0.8	0 to 0.5	1.0 to 1.5	1.5 to 2.0
1/2	12.70	0.8	0 to 0.5	1.0 to 1.5	2.0 to 2.5
5/8	15.88	1.0	0 to 0.5	1.0 to 1.5	2.0 to 2.5

Table 3-2-4 Dimensions related to flare processing for R22

Nominal diameter	Outer diameter (mm)	Thickness (mm)	A (mm)		
			Flare tool for R22 clutch type	Conventional flare tool	
				Clutch type	Wing nut type
1/4	6.35	0.8	0 to 0.5	0.5 to 1.0	1.0 to 1.5
3/8	9.52	0.8	0 to 0.5	0.5 to 1.0	1.0 to 1.5
1/2	12.70	0.8	0 to 0.5	0.5 to 1.0	1.5 to 2.0
5/8	15.88	1.0	0 to 0.5	0.5 to 1.0	1.5 to 2.0

Table 3-2-5 Flare and flare nut dimensions for R32(R410A)

Nominal diameter	Outer diameter (mm)	Thickness (mm)	Dimension (mm)				Flare nut width (mm)
			A	B	C	D	
1/4	6.35	0.8	9.1	9.2	6.5	13	17
3/8	9.52	0.8	13.2	13.5	9.7	20	22
1/2	12.70	0.8	16.6	16.0	12.9	23	26
5/8	15.88	1.0	19.7	19.0	16.0	25	29

Table 3-2-6 Flare and flare nut dimensions for R22

Nominal diameter	Outer diameter (mm)	Thickness (mm)	Dimension (mm)				Flare nut width (mm)
			A	B	C	D	
1/4	6.35	0.8	9.0	9.2	6.5	13	17
3/8	9.52	0.8	13.0	13.5	9.7	20	22
1/2	12.70	0.8	16.2	16.0	12.9	20	24
5/8	15.88	1.0	19.7	19.0	16.0	23	27
3/4	19.05	1.0	23.3	24.0	19.2	34	36

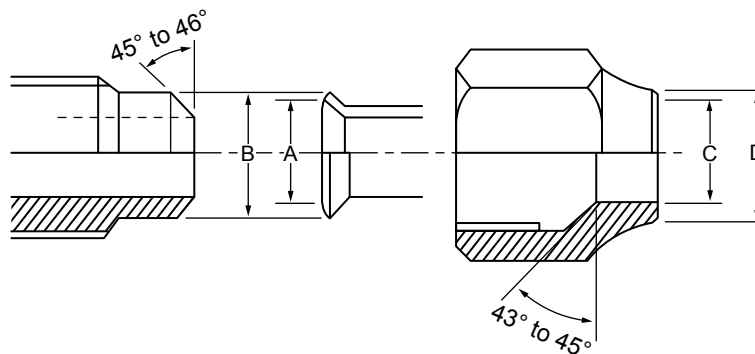


Fig. 3-2-2 Relations between flare nut and flare seal surface

2. Flare Connecting Procedures and Precautions

- Make sure that the flare and union portions do not have any scar or dust, etc.
- Correctly align the processed flare surface with the union axis.
- Tighten the flare with designated torque by means of a torque wrench. The tightening torque for R32 is the same as that for conventional R22. Incidentally, when the torque is weak, the gas leakage may occur. When it is strong, the flare nut may crack and may be made non-removable. When choosing the tightening torque, comply with values designated by manufacturers. Table 3-2-7 shows reference values.

NOTE :

When applying oil to the flare surface, be sure to use oil designated by the manufacturer. If any other oil is used, the lubricating oils may deteriorate and cause the compressor to burn out.

Table 3-2-7 Tightening torque of flare for R32(R410A) [Reference values]

Nominal diameter	Outer diameter (mm)	Tightening torque N•m (kgf•cm)	Tightening torque of torque wrenches available on the market N•m (kgf•cm)
1/4	6.35	14 to 18 (140 to 180)	16 (160), 18 (180)
3/8	9.52	33 to 42 (330 to 420)	42 (420)
1/2	12.70	50 to 62 (500 to 620)	55 (550)
5/8	15.88	63 to 77 (630 to 770)	65 (650)

3-3. Tools

3-3-1. Required Tools

The service port diameter of packed valve of the outdoor unit in the air-water heat pump using R32 is changed to prevent mixing of other refrigerant. To reinforce the pressure-resisting strength, flare processing dimensions and opposite side dimension of flare nut (For $\varnothing 12.7$ copper pipe) of the refrigerant piping are lengthened.

The used refrigerating oil is changed, and mixing of oil may cause a trouble such as generation of sludge, clogging of capillary, etc. Accordingly, the tools to be used are classified into the following three types.

1. Tools exclusive for R32 (Those which cannot be used for conventional refrigerant (R22))
2. Tools exclusive for R32, but can be also used for conventional refrigerant (R22)
3. Tools commonly used for R32 and for conventional refrigerant (R22)

The table below shows the tools exclusive for R32 and their interchangeability.

Tools exclusive for R32 (The following tools for R410A are required.)

Tools whose specifications are changed for R32 and their interchangeability

No.	Used tool	Usage	R32(R410A) air-water heat pump installation		Conventional air-water heat pump installation
			Existence of new equipment for R32	Whether conven- tional equipment can be used	Whether new equipment can be used with conventional refrigerant
1	Flare tool	Pipe flaring	Yes	*(Note 1)	○
2	Copper pipe gauge for adjusting projection margin	Flaring by conventional flare tool	Yes	*(Note 1)	*(Note 1)
3	Torque wrench (For $\varnothing 12.7$)	Connection of flare nut	Yes	×	×
4	Gauge manifold	Evacuating, refrigerant charge, run check, etc.	Yes	×	×
5	Charge hose				
6	Vacuum pump adapter	Vacuum evacuating	Yes	×	○
7	Electronic balance for refrigerant charging	Refrigerant charge	Yes	×	○
8	Leakage detector	Gas leakage check	Yes	×	○

(Note 1) When flaring is carried out for R32(R410A) using the conventional flare tools, adjustment of projection margin is necessary. For this adjustment, a copper pipe gauge, etc. are necessary.

General tools (Conventional tools can be used.)

In addition to the above exclusive tools, the following equipments which serve also for R22 are necessary as the general tools.

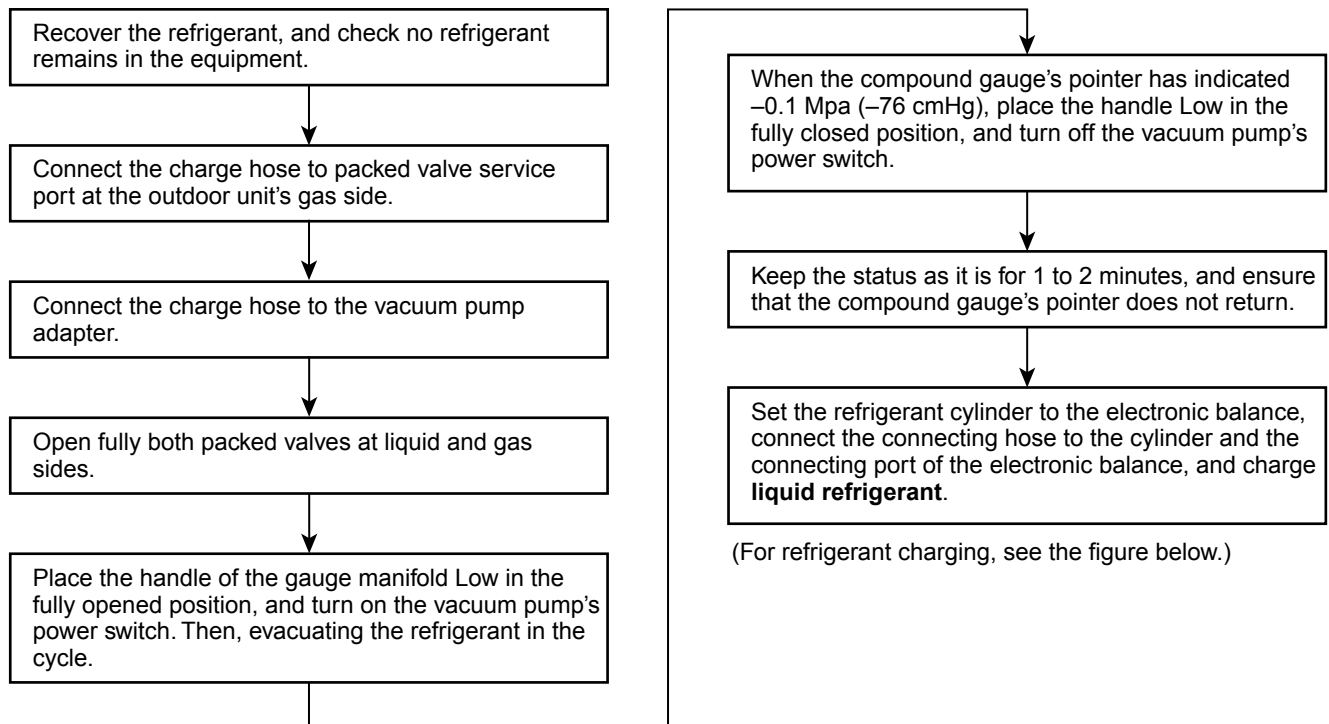
- | | | |
|--|-----------------------------|---|
| 1. Vacuum pump
Use vacuum pump by attaching
vacuum pump adapter. | 4. Reamer | 9. Hole core drill ($\varnothing 65$) |
| 2. Torque wrench (For $\varnothing 6.35$, $\varnothing 9.52$) | 5. Pipe bender | 10. Hexagon wrench
(Opposite side 4mm) |
| 3. Pipe cutter | 6. Level vial | 11. Tape measure |
| | 7. Screwdriver (+, -) | 12. Metal saw |
| | 8. Spanner or Monkey wrench | |

Also prepare the following equipments for other installation method and run check.

- | | |
|----------------|---------------------------------|
| 1. Clamp meter | 3. Insulation resistance tester |
| 2. Thermometer | 4. Electroscop |

3-4. Recharging of Refrigerant

When it is necessary to recharge refrigerant, charge the specified amount of new refrigerant according to the following steps.



1. Never charge refrigerant exceeding the specified amount.
2. If the specified amount of refrigerant cannot be charged, charge refrigerant **bit by bit** in COOL mode.
3. Do not carry out additional charging.

When additional charging is carried out if refrigerant leaks, the refrigerant composition changes in the refrigeration cycle, that is characteristics of the air conditioner changes, refrigerant exceeding the specified amount is charged, and working pressure in the refrigeration cycle becomes abnormally high pressure, and may cause a rupture or personal injury.

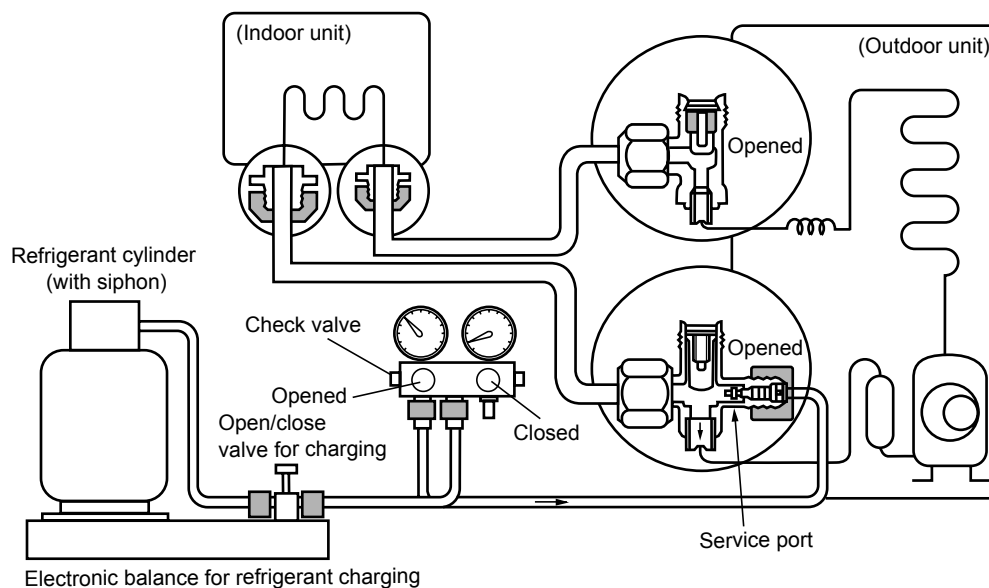


Fig. 3-4-1 Configuration of refrigerant charging

1. Be sure to make setting so that **liquid** can be charged.
2. When using a cylinder equipped with a siphon, liquid can be charged without turning it upside down.

Accordingly, when charging refrigerant from the refrigerant cylinder to the equipment, charge it turning the cylinder upside down if cylinder is not equipped with siphon.

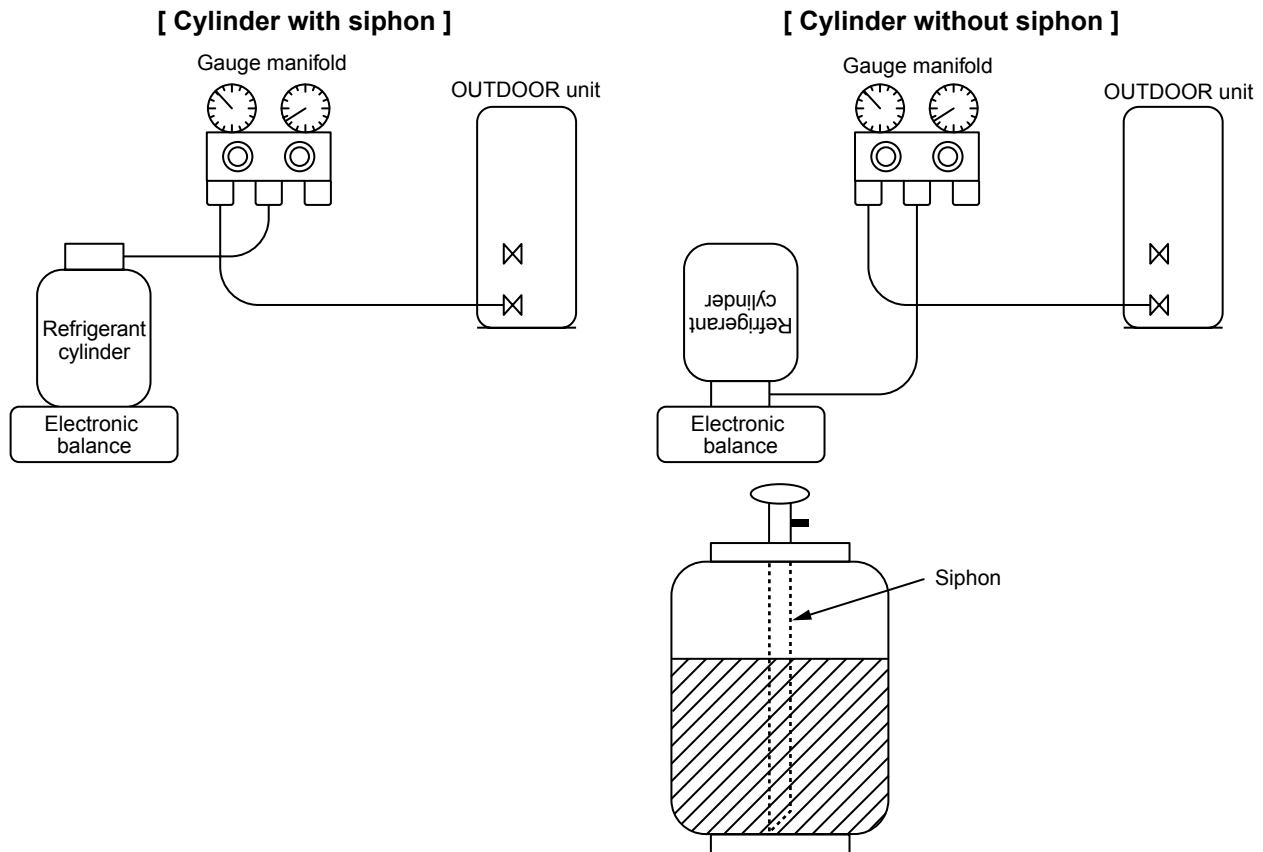


Fig. 3-4-2

3-5. Brazing of Pipes

3-5-1. Materials for Brazing

1. Silver brazing filler

Silver brazing filler is an alloy mainly composed of silver and copper. It is used to join iron, copper or copper alloy, and is relatively expensive though it excels in solderability.

2. Phosphor bronze brazing filler

Phosphor bronze brazing filler is generally used to join copper or copper alloy.

3. Low temperature brazing filler

Low temperature brazing filler is generally called solder, and is an alloy of tin and lead. Since it is weak in adhesive strength, do not use it for refrigerant pipes.

1. Phosphor bronze brazing filler tends to react with sulfur and produce a fragile compound water solution, which may cause a gas leakage. Therefore, use any other type of brazing filler at a hot spring resort, etc., and coat the surface with a paint.
2. When performing brazing again at time of servicing, use the same type of brazing filler.

3-5-2. Flux

1. Reason why flux is necessary

- By removing the oxide film and any foreign matter on the metal surface, it assists the flow of brazing filler.
- In the brazing process, it prevents the metal surface from being oxidized.
- By reducing the brazing filler's surface tension, the brazing filler adheres better to the treated metal.

2. Characteristics required for flux

- Activated temperature of flux coincides with the brazing temperature.
- Due to a wide effective temperature range, flux is hard to carbonize.
- It is easy to remove slag after brazing.
- The corrosive action to the treated metal and brazing filler is minimum.
- It excels in coating performance and is harmless to the human body.

As the flux works in a complicated manner as described above, it is necessary to select an adequate type of flux according to the type and shape of treated metal, type of brazing filler and brazing method, etc.

3. Types of flux

• **Noncorrosive flux**

Generally, it is a compound of borax and boric acid.

It is effective in case where the brazing temperature is higher than 800°C.

• **Activated flux**

Most of fluxes generally used for silver brazing are this type.

It features an increased oxide film removing capability due to the addition of compounds such as potassium fluoride, potassium chloride and sodium fluoride to the borax-boric acid compound.

4. Piping materials for brazing and used brazing filler/flux

Piping material	Used brazing filler	Used flux
Copper - Copper	Phosphor copper	Do not use
Copper - Iron	Silver	Paste flux
Iron - Iron	Silver	Vapor flux

1. Do not enter flux into the refrigeration cycle.
2. When chlorine contained in the flux remains within the pipe, the lubricating oil deteriorates. Therefore, use a flux which does not contain chlorine.
3. When adding water to the flux, use water which does not contain chlorine (e.g. distilled water or ion-exchange water).
4. Remove the flux after brazing.

3-5-3. Brazing

As brazing work requires sophisticated techniques, experiences based upon a theoretical knowledge, it must be performed by a person qualified.

In order to prevent the oxide film from occurring in the pipe interior during brazing, it is effective to proceed with brazing while letting dry Nitrogen gas (N₂) flow.

Never use gas other than Nitrogen gas.

1. Brazing method to prevent oxidation

- 1) Attach a reducing valve and a flow-meter to the Nitrogen gas cylinder.
- 2) Use a copper pipe to direct the piping material, and attach a flow-meter to the cylinder.
- 3) Apply a seal onto the clearance between the piping material and inserted copper pipe for Nitrogen in order to prevent backflow of the Nitrogen gas.
- 4) When the Nitrogen gas is flowing, be sure to keep the piping end open.
- 5) Adjust the flow rate of Nitrogen gas so that it is lower than 0.05 m³/Hr or 0.02 MPa (0.2kgf/cm²) by means of the reducing valve.
- 6) After performing the steps above, keep the Nitrogen gas flowing until the pipe cools down to a certain extent (temperature at which pipes are touchable with hands).
- 7) Remove the flux completely after brazing.

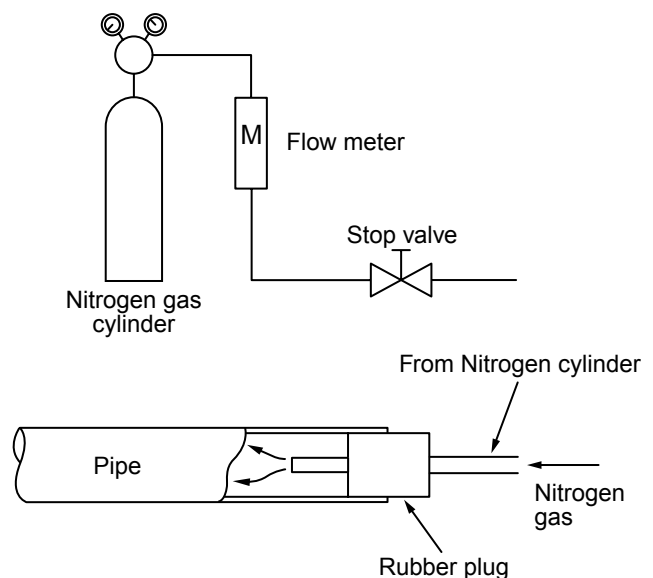
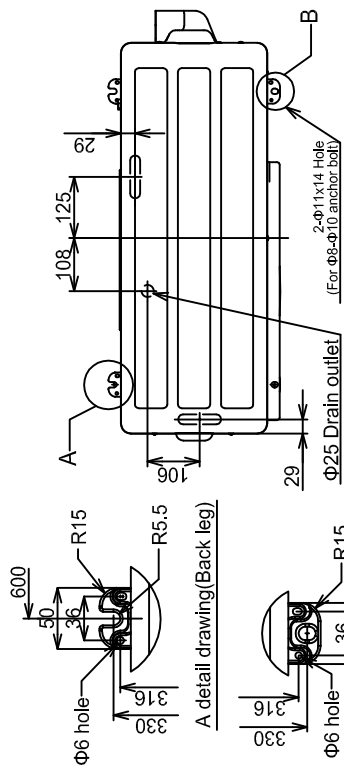


Fig. 3-5-1 Prevention of oxidation during brazing

4. CONSTRUCTION VIEWS

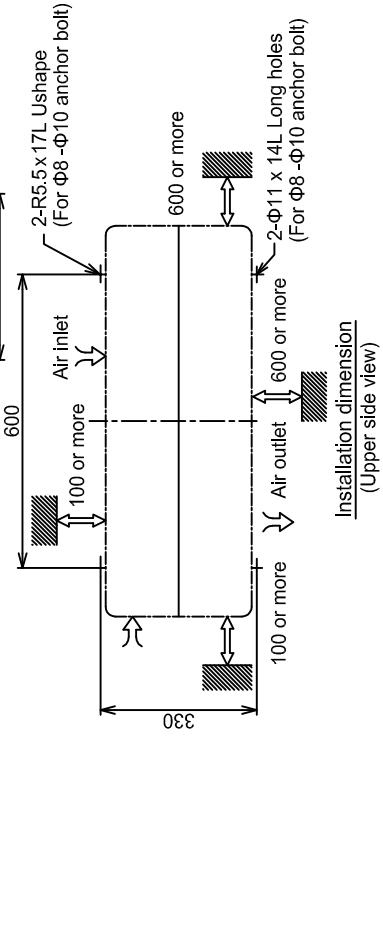
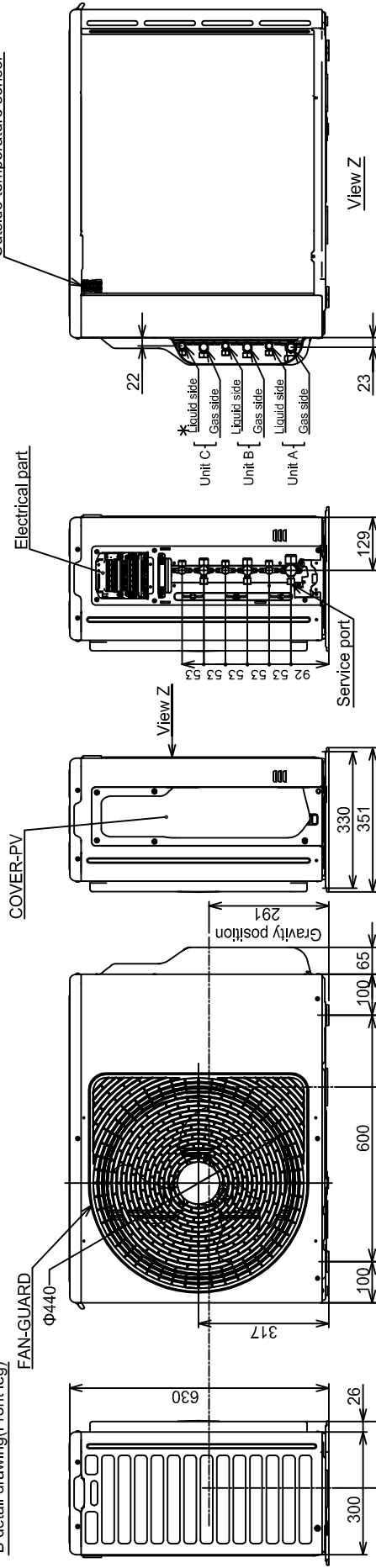
4-1. Outdoor Unit

* Diameter of pipe connecting port	Unit C	Liquid side	Φ 6.35	Model name RAS-3M18U2AVG-E RAS-3M18U2AVG-TR RAS-2M14U2AVG-E RAS-2M14U2AVG-TR RAS-2M18U2AVG-E RAS-2M18U2AVG-TR
	Unit B	Gas side	Φ 9.52	
		Liquid side	Φ 6.35	
	Unit A	Gas side	Φ 9.52	
		Liquid side	Φ 6.35	
		Gas side	Φ 12.7	



A detail drawing (Back leg)

B detail drawing (Front leg)



Installation dimension (Upper side view)

(Unit : mm)

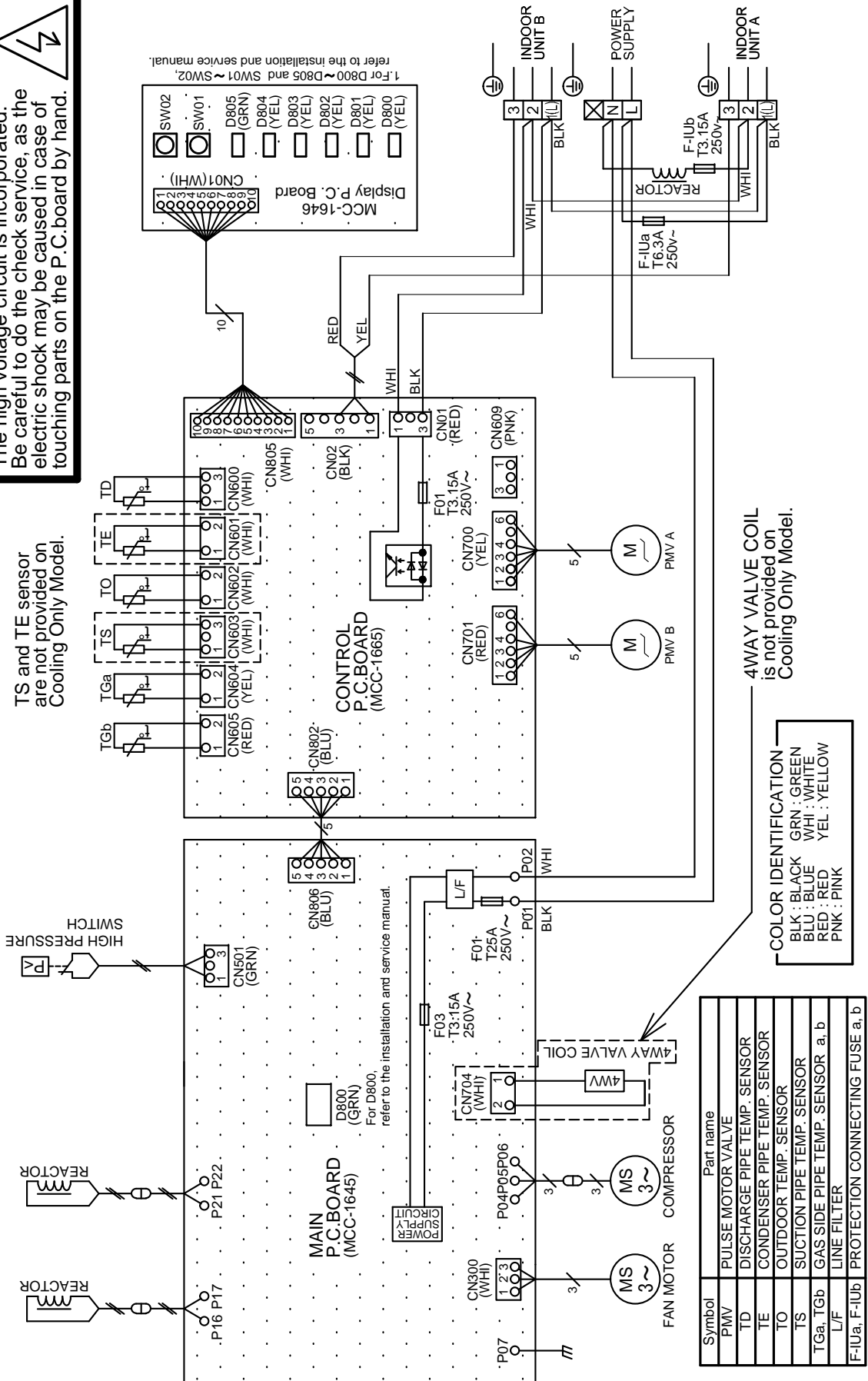
5. WIRING DIAGRAM

5-1. Outdoor Unit

RAS-2M14U2AVG-E,-TR

CAUTION : HIGH VOLTAGE

The high voltage circuit is incorporated. Be careful to do the check service, as the electric shock may be caused in case of touching parts on the P.C. board by hand.

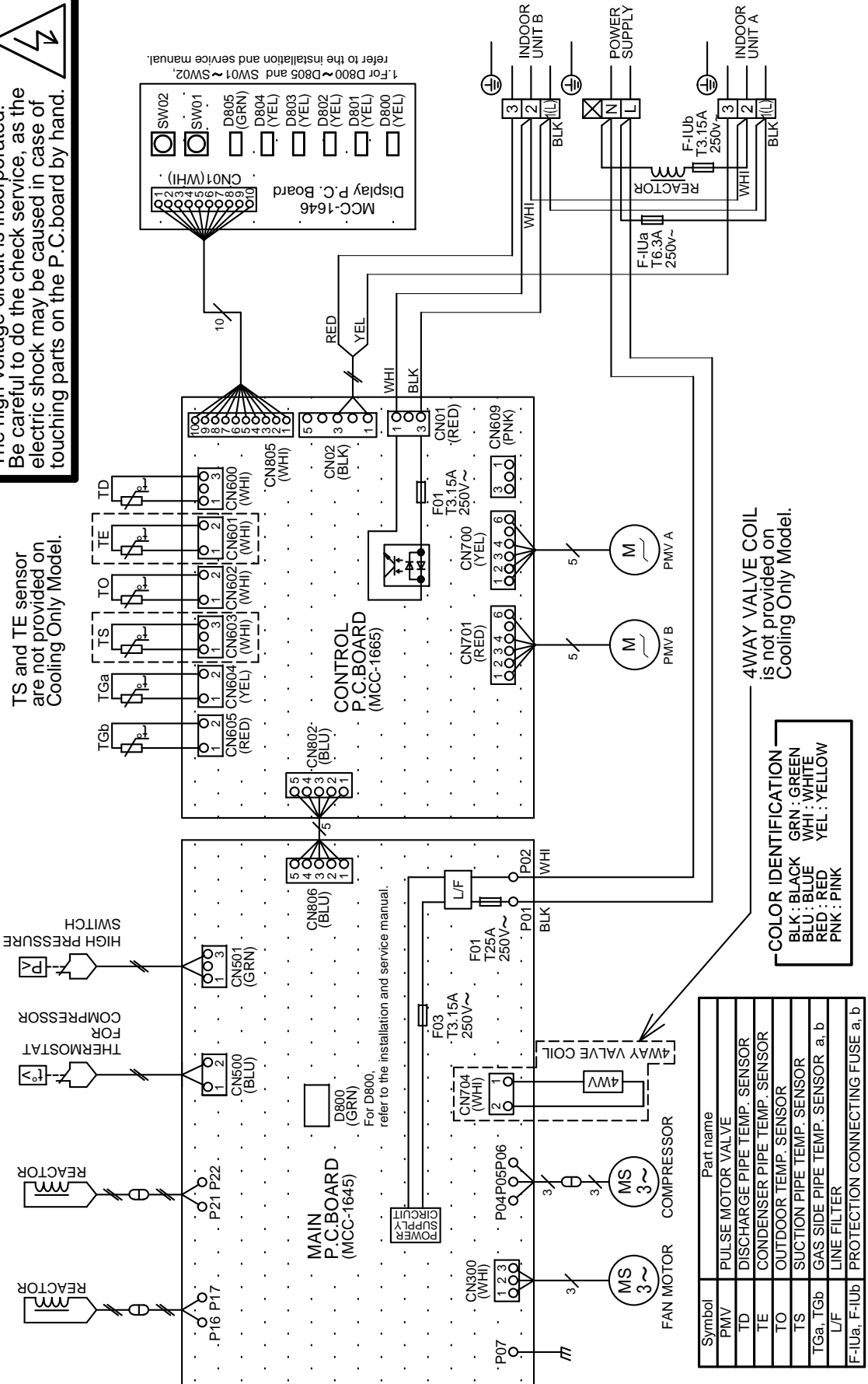
Symbol	Part name
PMV	PULSE MOTOR VALVE
TD	DISCHARGE PIPE TEMP. SENSOR
TE	CONDENSER PIPE TEMP. SENSOR
TO	OUTDOOR TEMP. SENSOR
TGa, TGb	SUCTION PIPE TEMP. SENSOR
L/F	GAS SIDE PIPE TEMP. SENSOR. a, b
F-IUa, F-IUb	LINE FILTER
	PROTECTION CONNECTING FUSE a, b

5.2 Outdoor Unit

RAS-2M18U2AVG-E,-TR

CAUTION : HIGH VOLTAGE

The high voltage circuit is incorporated. Be careful to do the check service, as the electric shock may be caused in case of touching parts on the P.C.board by hand.

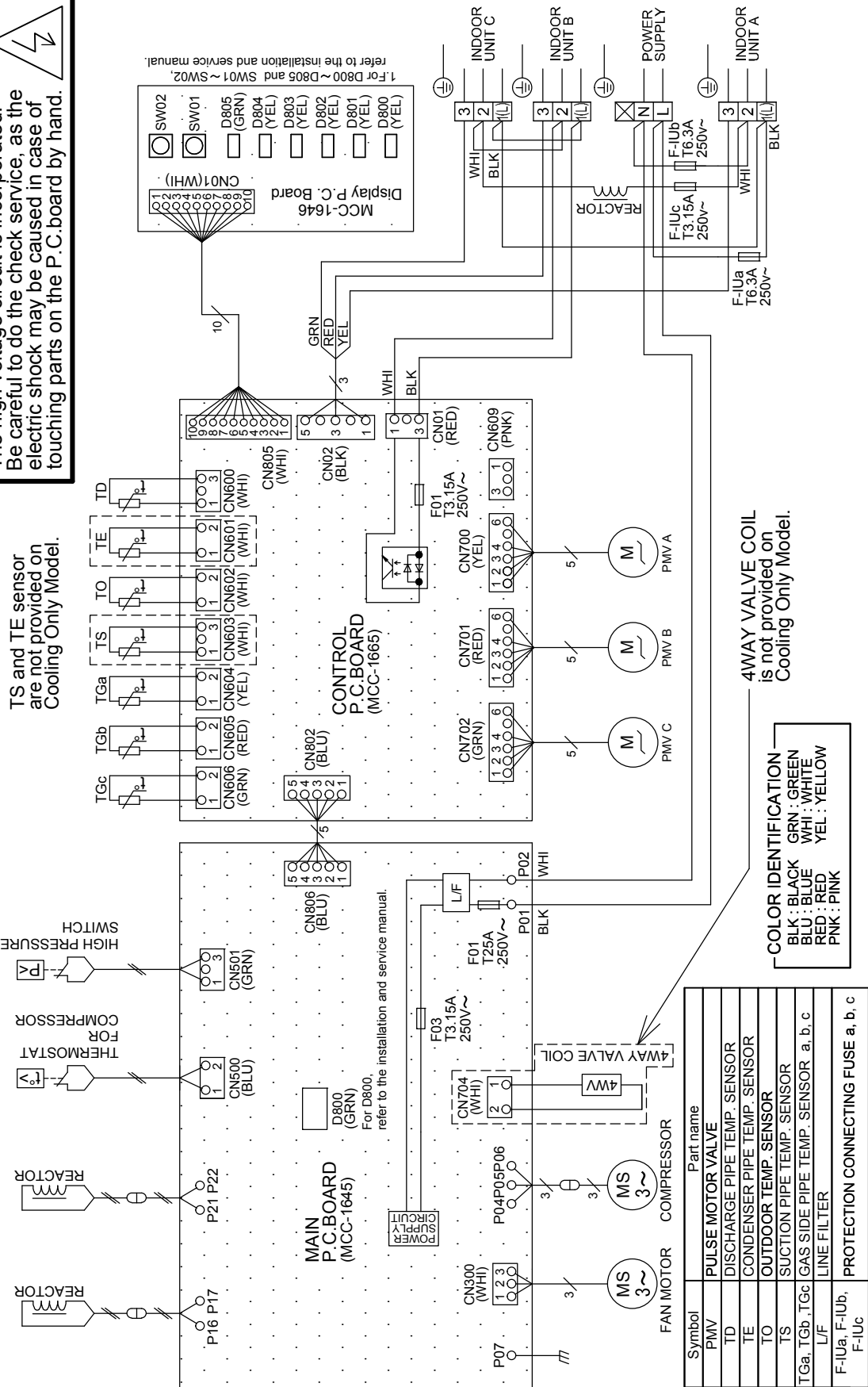



5.3 Outdoor Unit

RAS-3M18U2AVG-E,-TR

CAUTION : HIGH VOLTAGE

The high voltage circuit is incorporated. Be careful to do the check service, as the electric shock may be caused in case of touching parts on the P.C board by hand.



6. SPECIFICATIONS OF ELECTRICAL PARTS

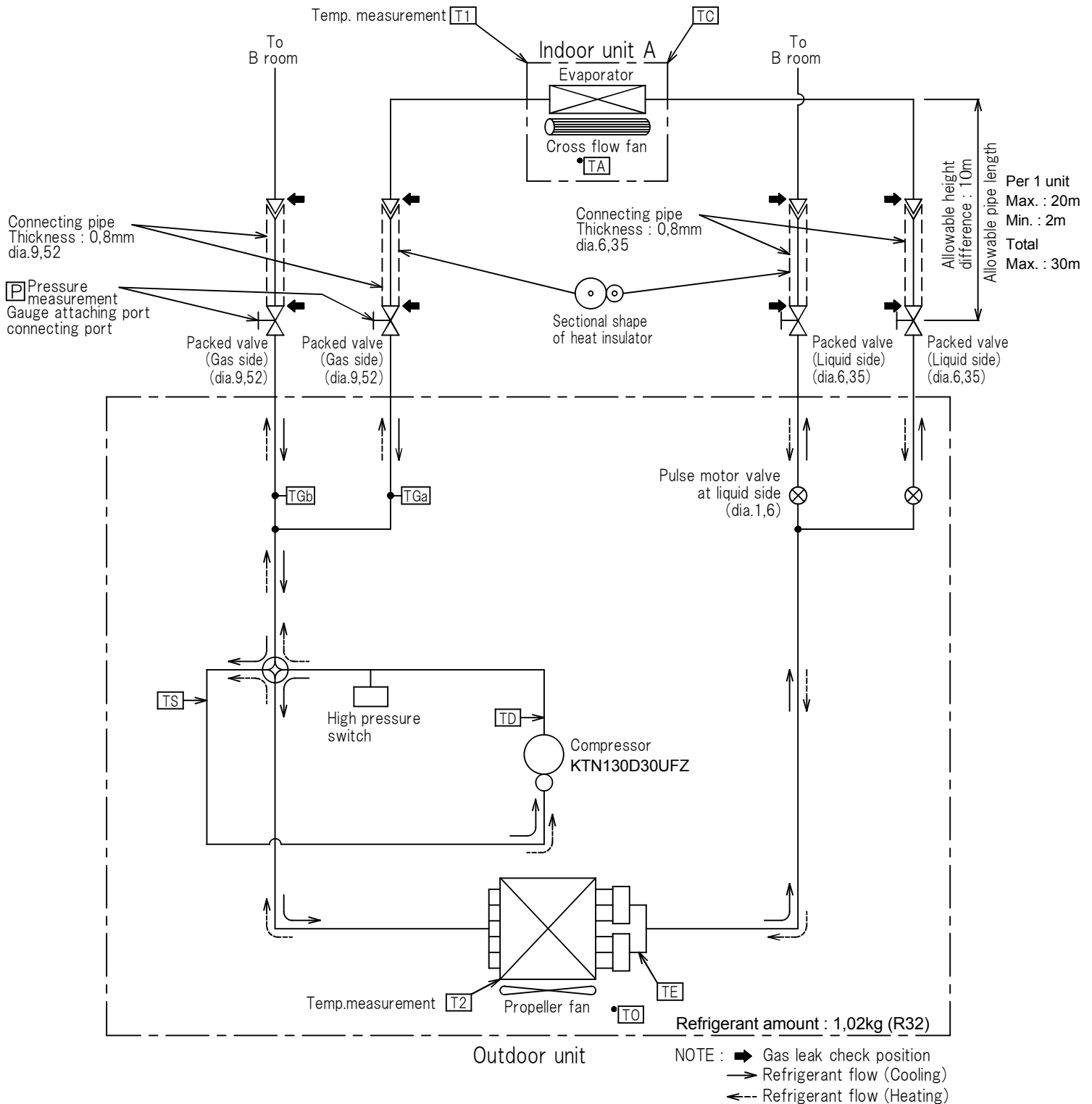
6-1. Outdoor Unit

No.	Parts name	Model name	Rating
1	Compressor	2M14	3-Phases (6-Poles) ; 1075W
		2M18	3-Phases (4-Poles) ; 1100W
		3M18	
2	Outdoor fan motor	WDF-340-A43-1	Output 43W
3	Reactor	CH-57	10mH、16A
4	Reactor	CH-76	9.9mH、1A
5	4-way valve coil	SQ-D27012-000752	DC12V
6	PMV coil	PQ-M10012-000313	DC12V
7	P. C. board (Main PCB)	MCC-1645	AC220-240V
8	P. C. board (Control PCB)	MCC-1665	AC220-240V
9	P. C. board (Display PCB)	MCC-1646	AC220-240V
10	Fuse (Mounted on P. C. board MCC-1645)	—	AC250V、25A
11	Fuse	—	AC250V、3.15A、6.3A
12	Fuse (Mounted on P. C. board MCC-1645、MCC-1665)	—	AC250V、3.15A
13	Outdoor temp. sensor (T0 sensor)	—	10k Ω (25 $^{\circ}$ C)
14	Evaporator temp. sensor (Te sensor)	—	10k Ω (25 $^{\circ}$ C)
15	Discharge temp. sensor (Td sensor)	—	50k Ω (25 $^{\circ}$ C)
16	Suction temp. sensor (Ts sensor)	—	10k Ω (25 $^{\circ}$ C)
17	Temp. sensor at A room gas side (TGA-sensor)	—	10k Ω (25 $^{\circ}$ C)
18	Temp. sensor at B room gas side (TGB-sensor)	—	10k Ω (25 $^{\circ}$ C)
19	Temp. sensor at C room gas side (TGC-sensor) *only 3M series)	—	10k Ω (25 $^{\circ}$ C)
20	Compressor thermo. *only 3M18 and 2M18	CS-12AL	ON:90 $^{\circ}$ C、OFF:125 $^{\circ}$ C
21	Terminal block (6P)	—	AC250V、20A
22	Terminal block (3P) *only 2M series)	—	AC250V、20A
23	High-pressure SW	ACB-4UB83W	OFF:4.15MPa

7. REFRIGERANT CYCLE DIAGRAM

7-1. Refrigerant cycle diagram

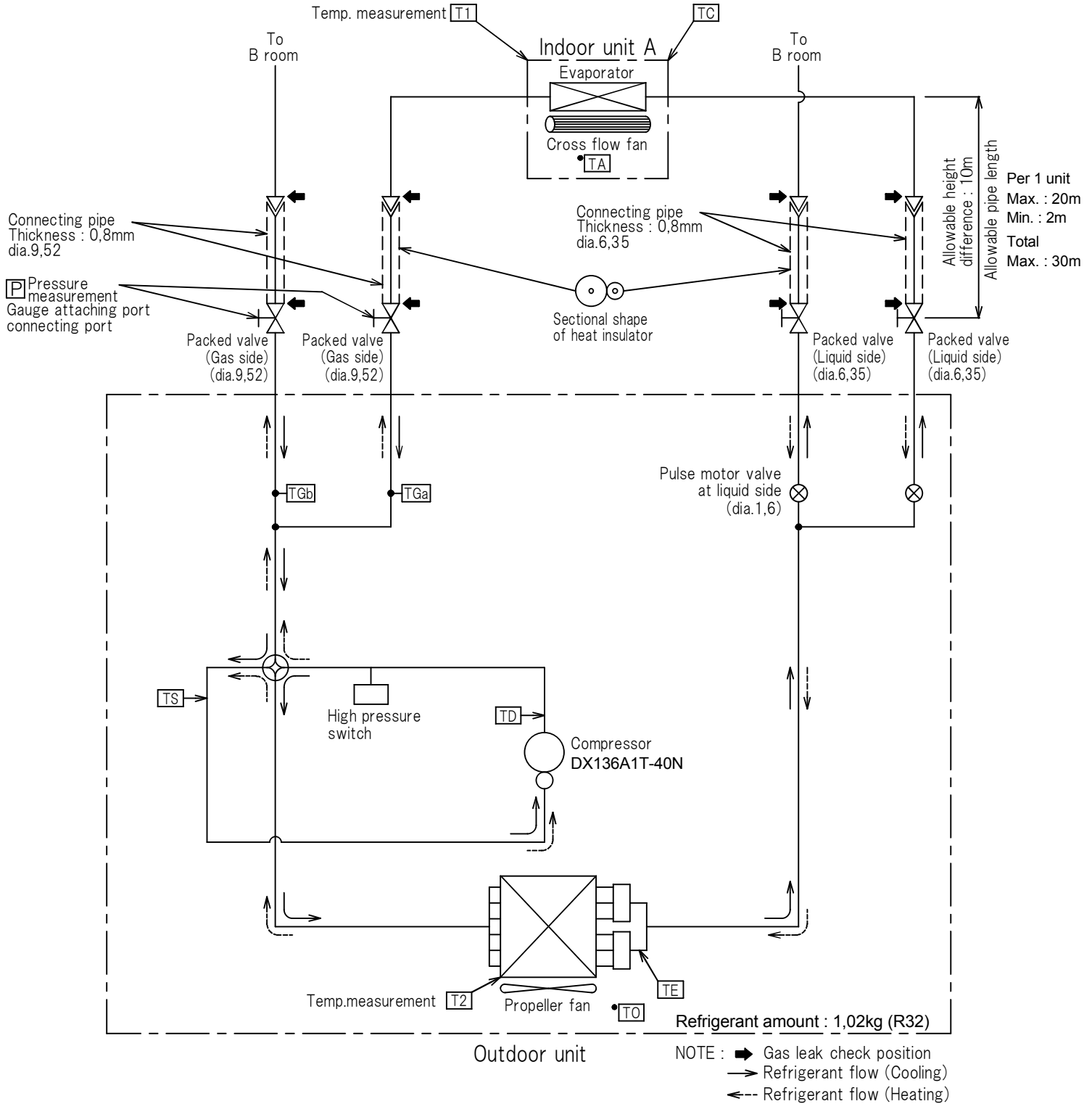
·RAS-2M14U2AVG-E,-TR



NOTE :

- You need not add refrigerant if the piping length is 30m or less.
- Connection of only one indoor unit is unavailable. Two indoor units should be connected.

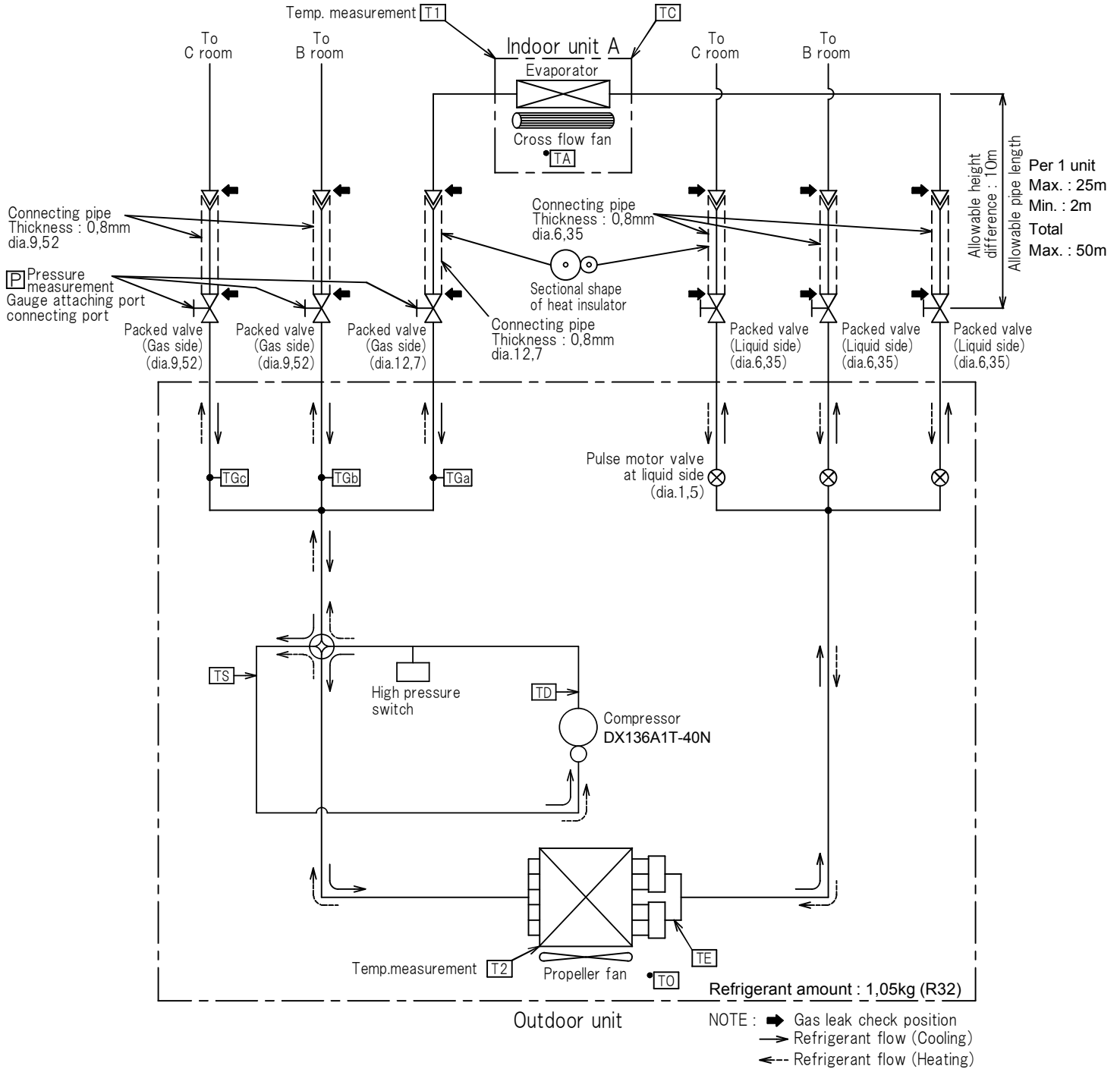
·RAS-2M18U2AVG-E,-TR



NOTE :

- You need not add refrigerant if the piping length is 30m or less.
- Connection of only one indoor unit is unavailable. Two indoor units should be connected.

·RAS-3M18U2AVG-E,-TR



NOTE :

- You need not add refrigerant if the piping length is 50m or less.
- Connection of only one indoor unit is unavailable. Two or more indoor units should be connected.

7-2. Operation data

Outdoor Unit : RAS-2M14U2AVG-E, -TR

< Cooling >

Temperature Condition		No. of operating units	Indoor unit			Standard pressure		Heat exchanger pipe temperature			Indoor fan	Compressor revolution (rps)				
Indoor	Outdoor		A	B	C	P (MPa)		T1 (°C)		T2 (°C)						
27/19	35/-	1 unit	05	-	-	1.0	to	1.2	14	to	16	38	to	40	High	21
			07	-	-	1.0	to	1.2	14	to	16	39	to	41	High	23
			10	-	-	0.8	to	1.0	10	to	12	41	to	43	High	36
			13	-	-	0.7	to	0.9	7	to	9	43	to	45	High	57
		2 Units	05	05	-	0.8	to	1.0	11	to	13	42	to	44	High	48
			07	05	-	0.7	to	0.9	9	to	11	43	to	45	High	48
			10	05	-	0.7	to	0.9	9	to	11	45	to	47	High	48
			13	05	-	0.7	to	0.9	9	to	11	46	to	48	High	47
			07	07	-	0.9	to	1.1	12	to	14	43	to	45	High	48
			10	07	-	0.8	to	1.0	10	to	12	45	to	47	High	47
			13	07	-	0.8	to	1.0	10	to	12	46	to	48	High	46
			10	10	-	0.8	to	1.0	10	to	12	46	to	48	High	46
			13	10	-	0.8	to	1.0	10	to	12	46	to	48	High	46
			13	13	-	0.8	to	1.0	11	to	13	46	to	48	High	45

Outdoor Unit : RAS-2M14U2AVG-E, -TR

< Heating >

Temperature Condition		No. of operating units	Indoor unit			Standard pressure		Heat exchanger pipe temperature			Indoor fan	Compressor revolution (rps)				
Indoor	Outdoor		A	B	C	P (MPa)		T1 (°C)		T2 (°C)						
27/19	35/-	1 unit	05	-	-	2.2	to	2.4	36	to	38	3	to	5	High	34
			07	-	-	2.2	to	2.4	37	to	39	3	to	5	High	37
			10	-	-	2.8	to	3.0	46	to	48	2	to	4	High	55
			13	-	-	2.9	to	3.1	47	to	49	2	to	4	High	60
		2 Units	05	05	-	2.2	to	2.4	34	to	36	2	to	4	High	55
			07	05	-	2.2	to	2.4	34	to	36	2	to	4	High	56
			10	05	-	2.1	to	2.3	35	to	37	2	to	4	High	56
			13	05	-	2.1	to	2.3	34	to	36	2	to	4	High	56
			07	07	-	2.1	to	2.3	35	to	37	2	to	4	High	56
			10	07	-	2.0	to	2.2	34	to	36	2	to	4	High	56
			13	07	-	2.0	to	2.2	33	to	35	2	to	4	High	56
			10	10	-	2.0	to	2.2	34	to	36	2	to	4	High	56
			13	10	-	1.9	to	2.1	33	to	35	1	to	3	High	56
			13	13	-	1.9	to	2.1	32	to	34	1	to	3	High	56

NOTES :

- 1.Measure surface temperature of heat exchanger pipe around of heat exchanger path U bent.(Thermistor thermometer)
- 2.Connecting piping condition : 5 meters × 2 units(5m/each indoor unit)

Outdoor Unit : RAS-2M18U2AVG-E, -TR

< Cooling >

Temperature Condition		No. of operating units	Indoor unit			Standard pressure			Heat exchanger pipe temperature				Indoor fan	Compressor revolution (rps)		
Indoor	Outdoor		A	B	C	P (MPa)			T1 (°C)		T2 (°C)					
27/19	35/-	1 unit	05	-	-	0.9	to	1.1	15	to	17	38	to	40	High	21
			07	-	-	1.0	to	1.2	14	to	16	39	to	41	High	23
			10	-	-	0.8	to	1.0	10	to	12	41	to	43	High	36
			13	-	-	0.7	to	0.9	7	to	9	43	to	45	High	57
			16	-	-	0.7	to	0.9	7	to	9	45	to	47	High	69
		2 Units	05	05	-	0.8	to	1.0	11	to	13	42	to	44	High	38
			07	05	-	0.7	to	0.9	9	to	11	43	to	45	High	42
			10	05	-	0.7	to	0.9	9	to	11	44	to	46	High	48
			13	05	-	0.7	to	0.9	9	to	11	45	to	47	High	42
			16	05	-	0.8	to	1.0	11	to	13	45	to	47	High	71
			07	07	-	0.9	to	1.1	12	to	14	43	to	45	High	48
			10	07	-	0.8	to	1.0	10	to	12	45	to	47	High	62
			13	07	-	0.8	to	1.0	10	to	12	46	to	48	High	70
			16	07	-	0.9	to	1.1	12	to	14	45	to	47	High	66
			10	10	-	0.8	to	1.0	10	to	12	46	to	48	High	71
			13	10	-	0.8	to	1.0	10	to	12	46	to	48	High	69
			16	10	-	0.9	to	1.1	12	to	14	45	to	47	High	65
			13	13	-	0.8	to	1.0	11	to	13	46	to	48	High	68
			16	13	-	0.9	to	1.1	12	to	14	45	to	47	High	64
			16	16	-	1.0	to	1.2	14	to	16	45	to	47	High	62

Outdoor Unit : RAS-2M18U2AVG-E, -TR

< Heating >

Temperature Condition		No. of operating units	Indoor unit			Standard pressure			Heat exchanger pipe temperature				Indoor fan	Compressor revolution (rps)		
Indoor	Outdoor		A	B	C	P (MPa)			T1 (°C)		T2 (°C)					
27/19	35/-	1 unit	05	-	-	2.2	to	2.4	39	to	41	3	to	5	High	33
			07	-	-	2.2	to	2.4	39	to	41	3	to	5	High	37
			10	-	-	2.9	to	3.1	48	to	50	2	to	4	High	55
			13	-	-	3.3	to	3.5	52	to	54	1	to	3	High	67
			16	-	-	3.2	to	3.4	51	to	53	1	to	3	High	73
		2 Units	05	05	-	2.5	to	2.7	39	to	41	0	to	2	High	60
			07	05	-	2.5	to	2.7	39	to	41	0	to	2	High	71
			10	05	-	2.5	to	2.7	41	to	43	0	to	2	High	75
			13	05	-	2.4	to	2.6	39	to	41	0	to	2	High	74
			16	05	-	2.2	to	2.4	36	to	38	0	to	2	High	73
			07	07	-	2.4	to	2.6	40	to	42	0	to	2	High	71
			10	07	-	2.4	to	2.6	40	to	42	0	to	2	High	74
			13	07	-	2.3	to	2.5	38	to	40	0	to	2	High	73
			16	07	-	2.1	to	2.3	35	to	37	0	to	2	High	72
			10	10	-	2.3	to	2.5	39	to	41	0	to	2	High	73
			13	10	-	2.2	to	2.4	37	to	39	0	to	2	High	73
			16	10	-	2.1	to	2.3	35	to	37	0	to	2	High	72
			13	13	-	2.2	to	2.4	36	to	38	0	to	2	High	73
			16	13	-	2.0	to	2.2	34	to	36	0	to	2	High	72
			16	16	-	1.9	to	2.1	32	to	34	0	to	2	High	72

NOTES :

- 1.Measure surface temperature of heat exchanger pipe around of heat exchanger path U bent.(Thermistor thermometer)
- 2.Connecting piping condition : 5 meters × 2 units(5m/each indoor unit)

Outdoor Unit : RAS-3M18U2AVG-E, -TR

< Cooling >

Temperature Condition		No. of operating units	Indoor unit			Standard pressure			Heat exchanger pipe temperature			Indoor fan	Compressor revolution (rps)			
Indoor	Outdoor		A	B	C	P (MPa)			T1 (°C)		T2 (°C)					
27/19	35/-	1 unit	05	-	-	0.9	to	1.1	15	to	17	38	to	40	High	21
			07	-	-	1.0	to	1.2	14	to	16	39	to	41	High	23
			10	-	-	0.8	to	1.0	10	to	12	41	to	43	High	36
			13	-	-	0.7	to	0.9	7	to	9	43	to	45	High	57
			16	-	-	0.7	to	0.9	7	to	9	45	to	47	High	69
		2 Units	05	05	-	0.8	to	1.0	11	to	13	42	to	44	High	38
			07	05	-	0.7	to	0.9	9	to	11	43	to	45	High	42
			10	05	-	0.7	to	0.9	9	to	11	44	to	46	High	48
			13	05		0.7	to	0.9	9	to	11	45	to	47	High	42
			16	05		0.8	to	1.0	11	to	13	45	to	47	High	71
			07	07	-	0.9	to	1.1	12	to	14	43	to	45	High	48
			10	07	-	0.8	to	1.0	10	to	12	45	to	47	High	62
			13	07		0.8	to	1.0	10	to	12	46	to	48	High	70
			16	07		0.9	to	1.1	12	to	14	45	to	47	High	66
			10	10		0.8	to	1.0	10	to	12	46	to	48	High	71
			13	10		0.8	to	1.0	10	to	12	46	to	48	High	69
			16	10		0.9	to	1.1	12	to	14	45	to	47	High	65
			13	13	-	0.8	to	1.0	11	to	13	46	to	48	High	68
			16	13		0.9	to	1.1	12	to	14	45	to	47	High	64
			16	16	-	1.0	to	1.2	14	to	16	45	to	47	High	62
		3 Units	05	05	05	0.9	to	1.1	13	to	15	45	to	47	High	62
			07	05	05	0.9	to	1.1	13	to	15	45	to	47	High	61
			10	05	05	0.9	to	1.1	13	to	15	45	to	47	High	61
			13	05	05	0.9	to	1.1	14	to	16	45	to	47	High	61
			16	05	05	1.0	to	1.2	15	to	17	45	to	47	High	61
			07	07	07	1.0	to	1.2	14	to	16	45	to	47	High	60
			10	07	07	1.0	to	1.2	14	to	16	45	to	47	High	60
			13	07	07	1.0	to	1.2	15	to	17	45	to	47	High	60
			16	07	07	1.1	to	1.3	16	to	18	45	to	47	High	59
			10	10	07	1.0	to	1.2	15	to	17	45	to	47	High	60
			13	10	07	1.0	to	1.2	15	to	17	45	to	47	High	60
			16	10	07	1.1	to	1.3	16	to	18	45	to	47	High	59
			13	13	07	1.0	to	1.2	15	to	17	45	to	47	High	59
16	13	07	1.1	to	1.3	16	to	18	45	to	47	High	59			
10	10	10	1.0	to	1.2	15	to	17	45	to	47	High	60			
13	10	10	1.0	to	1.2	15	to	17	45	to	47	High	60			
16	10	10	1.1	to	1.3	16	to	18	45	to	47	High	59			
13	13	10	1.1	to	1.3	16	to	18	45	to	47	High	59			

NOTES:

- 1.Measure surface temperature of heat exchanger pipe around of heat exchanger path U bent.(Thermistor thermometer)
- 2.Connecting piping condition : 5 meters × 3 units(5m/each indoor unit)

Outdoor Unit : RAS-3M18U2AVG-E, -TR

< Heating >

Temperature Condition		No. of operating units	Indoor unit			Standard pressure		Heat exchanger pipe temperature					Indoor fan	Compressor revolution (rps)		
Indoor	Outdoor		A	B	C	P (MPa)		T1 (°C)		T2 (°C)						
27/19	35/-	1 unit	05	-	-	2.2	to	2.4	39	to	41	3	to	5	High	33
			07	-	-	2.2	to	2.4	39	to	41	3	to	5	High	37
			10	-	-	2.9	to	3.1	48	to	50	2	to	4	High	55
			13	-	-	3.3	to	3.5	52	to	54	1	to	3	High	67
			16	-	-	3.2	to	3.4	51	to	53	1	to	3	High	73
		2 Units	05	05	-	2.9	to	3.1	40	to	42	3	to	5	High	35
			07	05	-	2.9	to	3.1	46	to	48	3	to	5	High	37
			10	05	-	3.0	to	3.2	46	to	48	2	to	4	High	55
			13	05	-	2.9	to	3.1	44	to	46	1	to	3	High	67
			16	05	-	2.6	to	2.8	41	to	43	1	to	3	High	73
			07	07	-	2.5	to	2.7	41	to	43	0	to	2	High	71
			10	07	-	2.9	to	3.1	47	to	49	-1	to	1	High	90
			13	07	-	2.8	to	3.0	45	to	47	-1	to	1	High	91
			16	07	-	2.5	to	2.7	42	to	44	-1	to	1	High	91
			10	10	-	2.8	to	3.0	46	to	48	-1	to	1	High	91
			13	10	-	2.7	to	2.9	44	to	46	-1	to	1	High	91
			16	10	-	2.4	to	2.6	41	to	43	-1	to	1	High	91
			13	13	-	2.6	to	2.8	43	to	45	-1	to	1	High	91
			16	13	-	2.3	to	2.5	39	to	41	-1	to	1	High	90
			16	16	-	2.1	to	2.3	37	to	39	-1	to	1	High	90
		3 Units	05	05	05	2.2	to	2.4	37	to	39	-1	to	1	High	93
			07	05	05	2.3	to	2.5	36	to	38	-1	to	1	High	93
			10	05	05	2.2	to	2.4	36	to	38	-1	to	1	High	93
			13	05	05	2.1	to	2.3	36	to	38	-1	to	1	High	93
			16	05	05	2.0	to	2.2	34	to	36	-1	to	1	High	93
			07	07	07	2.1	to	2.3	36	to	38	-1	to	1	High	93
			10	07	07	2.1	to	2.3	35	to	37	-1	to	1	High	93
			13	07	07	2.0	to	2.2	35	to	37	-1	to	1	High	93
			16	07	07	1.9	to	2.1	33	to	35	-1	to	1	High	93
			10	10	07	2.0	to	2.2	35	to	37	-1	to	1	High	93
			13	10	07	2.0	to	2.2	34	to	36	-1	to	1	High	93
			16	10	07	1.9	to	2.1	33	to	35	-1	to	1	High	93
			13	13	07	1.9	to	2.1	33	to	35	-1	to	1	High	93
			16	13	07	1.9	to	2.1	32	to	34	-1	to	1	High	93
			10	10	10	2.0	to	2.2	34	to	36	-1	to	1	High	93
			13	10	10	2.0	to	2.2	34	to	36	-1	to	1	High	93
16	10	10	1.9	to	2.1	32	to	34	-1	to	1	High	93			
13	13	10	1.9	to	2.1	33	to	35	-1	to	1	High	93			

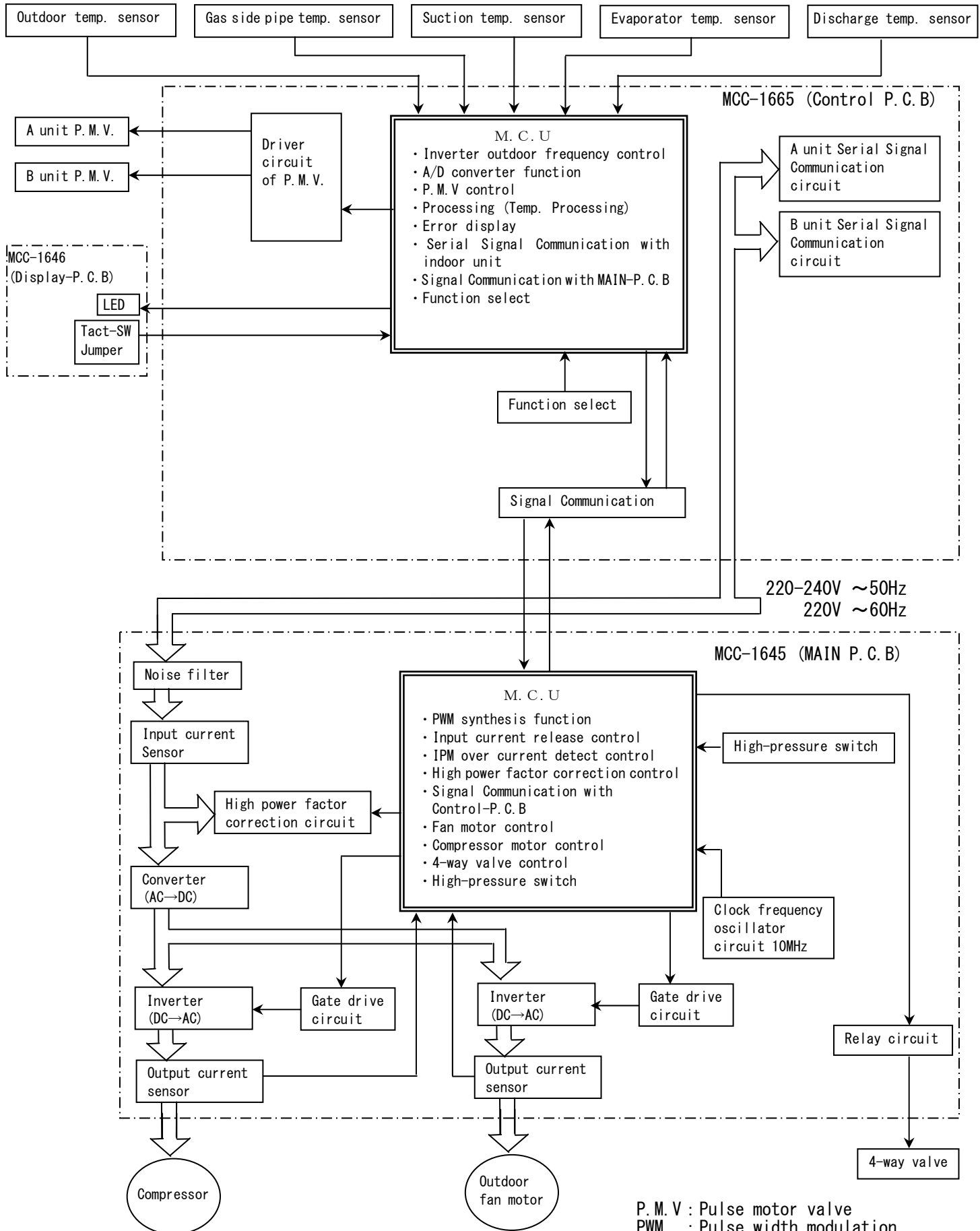
NOTES :

- 1.Measure surface temperature of heat exchanger pipe around of heat exchanger path U bent.(Thermistor thermometer)
- 2.Connecting piping condition : 5 meters × 2 units(5m/each indoor unit)

8. CONTROL BLOCK DIAGRAM

8-1. Outdoor Unit (Inverter Assembly)

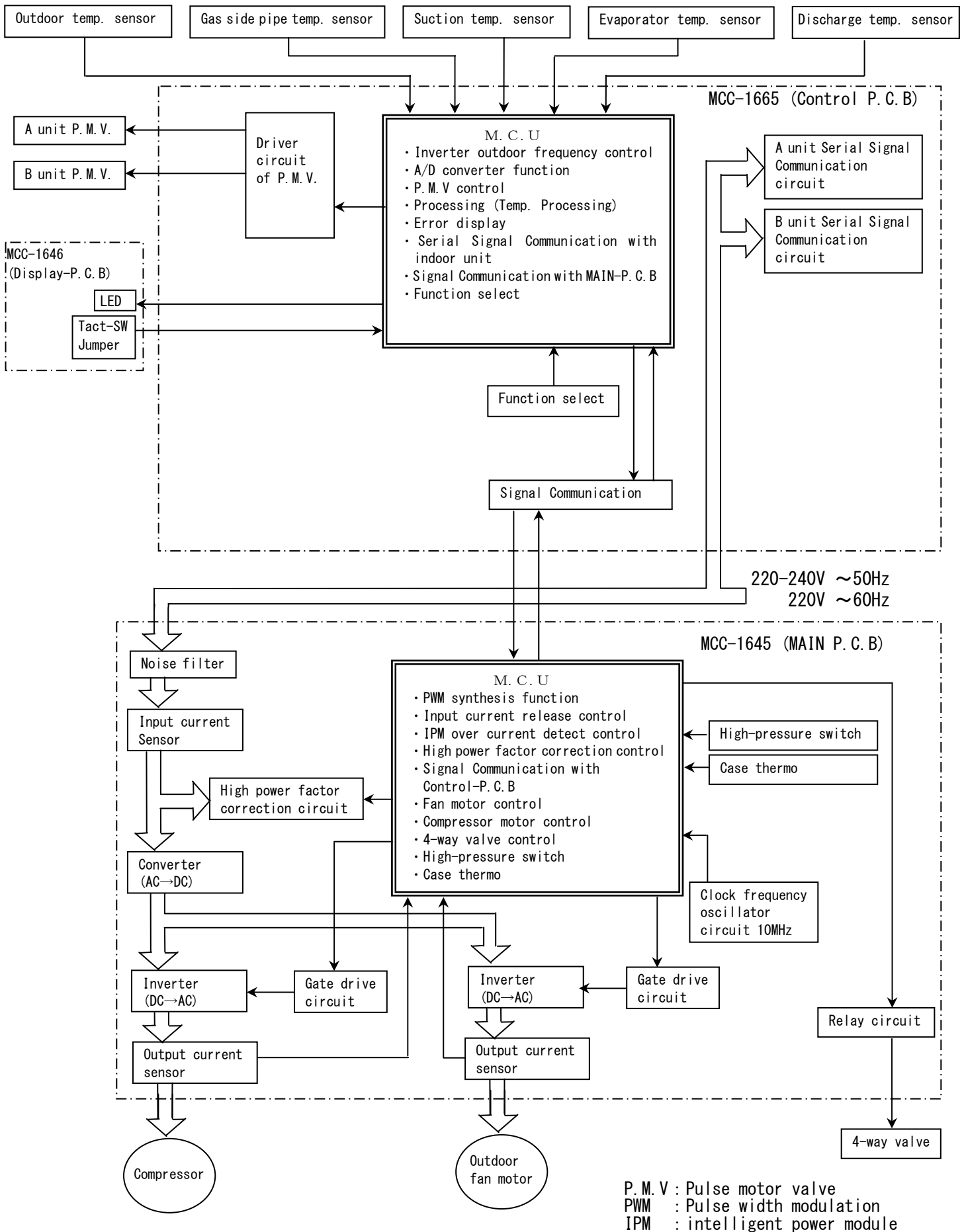
RAS-2M14U2AVG-E, -TR



P. M. V : Pulse motor valve
 PWM : Pulse width modulation
 IPM : intelligent power module

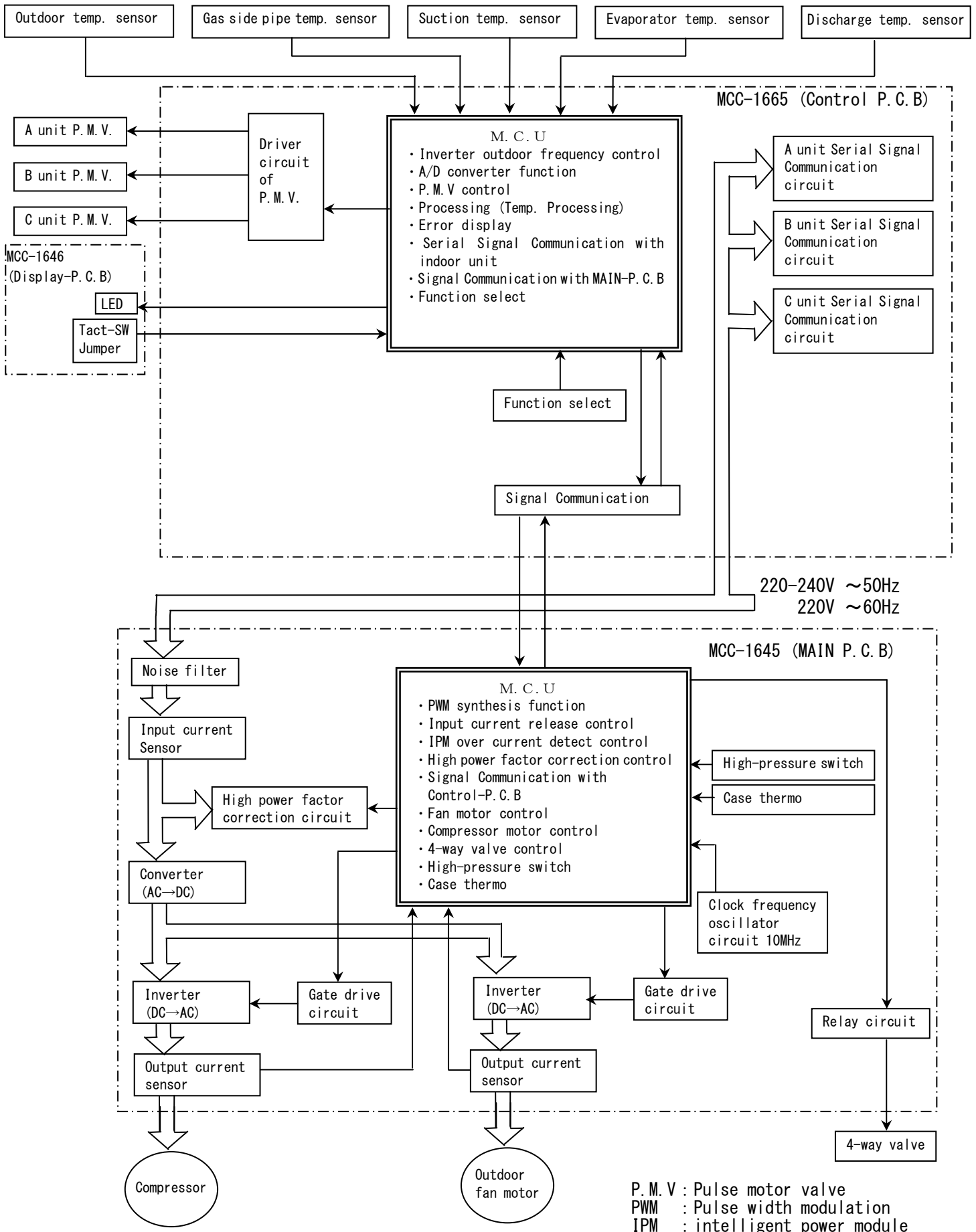
8-2. Outdoor Unit (Inverter Assembly)

RAS-2M18U2AVG-E, -TR



8-3. Outdoor Unit (Inverter Assembly)

RAS-3M18U2AVG-E, -TR



9. OPERATION DESCRIPTION

9-1. Outline of Air Conditioner Control

This air conditioner is a capacity-variable type air conditioner, which uses DC motor for the indoor fan motor and the outdoor fan motor. And the capacity-proportional control compressor which can change the motor speed in the range from 13 to 110 rps is mounted. The DC motor drive circuit is mounted to the indoor unit. The compressor and the inverter to control fan motor are mounted to the outdoor unit.

The entire air conditioner is mainly controlled by the indoor unit controller.

The indoor unit controller drives the indoor fan motor based upon command sent from the remote controller, and transfers the operation command to the outdoor unit controller.

The outdoor unit controller receives operation command from the indoor unit side, and controls the outdoor fan and the pulse motor valve. (PMV) Besides, detecting revolution position of the compressor motor, the outdoor unit controller controls speed of the compressor motor by controlling output voltage of the inverter and switching timing of the supply power (current transfer timing) so that motors drive according to the operation command. And then, the outdoor unit controller transfers reversely the operating status information of the outdoor unit to control the indoor unit controller.

As the compressor adopts four-pole brushless DC motor, the frequency of the supply power from inverter to compressor is two-times cycles of the actual number of revolution.

1. Role of indoor unit controller

The indoor unit controller judges the operation commands from the remote controller and assumes the following functions.

- Judgment of suction air temperature of the indoor heat exchanger by using the indoor temp. sensor. (TA sensor)
- Judgment of the indoor heat exchanger temperature by using heat exchanger sensor (TC sensor) (Prevent-freezing control, etc.)
- Louver motor control
- Indoor fan motor operation control
- LED (Light Emitting Diode) display control
- Transferring of operation command signal (Serial signal) to the outdoor unit
- Reception of information of operation status (Serial signal including outside temp. data) to the outdoor unit and judgment/display of error
- Air purifier operation control

2. Role of outdoor unit controller

Receiving the operation command signal (Serial signal) from the indoor unit controller, the outdoor unit performs its role.

- Compressor operation control
 - Operation control of outdoor fan motor
 - P.M.V. control
 - 4-way valve control
- } Operations followed to judgment of serial signal from indoor side.

- Detection of inverter input current and current release operation
- Over-current detection and prevention operation to IGBT module (Compressor stop function)
- Compressor and outdoor fan stop function when serial signal is off (when the serial signal does not reach the board assembly of outdoor control by trouble of the signal system)
- Transferring of operation information (Serial signal) from outdoor unit controller to indoor unit controller
- Detection of outdoor temperature and operation revolution control
- Defrost control in heating operation (Temp. measurement by outdoor heat exchanger and control for 4-way valve and outdoor fan)

3. Contents of operation command signal (Serial signal) from indoor unit controller to outdoor unit controller

The following three types of signals are sent from the indoor unit controller.

- Operation mode set on the remote controller
- Compressor revolution command signal defined by indoor temperature and set temperature (Correction along with variation of room temperature and correction of indoor heat exchanger temperature are added.)
- Temperature of indoor heat exchanger
- For these signals ([Operation mode] and [Compressor revolution] indoor heat exchanger temperature), the outdoor unit controller monitors the input current to the inverter, and performs the followed operation within the range that current does not exceed the allowable value.

4. Contents of operation command signal (Serial signal) from outdoor unit controller to indoor unit controller

The following signals are sent from the outdoor unit controller.

- The current operation mode
 - The current compressor revolution
 - Outdoor temperature
 - Existence of protective circuit operation
- For transferring of these signals, the indoor unit controller monitors the contents of signals, and judges existence of trouble occurrence. Contents of judgment are described below.
- Whether distinction of the current operation status meets to the operation command signal
 - Whether protective circuit operates
- When no signal is received from the outdoor unit controller, it is assumed as a trouble.

9-2. Operation Description

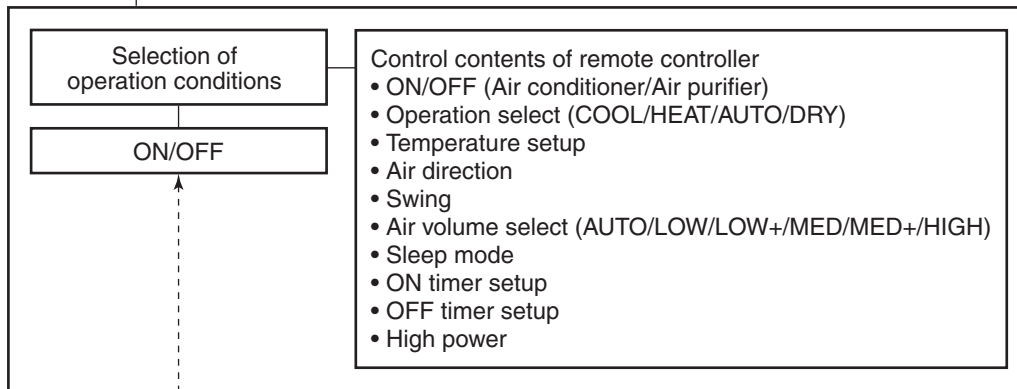
1. Basic operation	58
1. Operation control	58
2. Operating mode selection when performing 2-room operation	59
3. Cooling/Heating operation	59
2. Outdoor fan motor control	60
3. Capacity control	61
4. Current release control	∧ 2
5. Winding/Coil heating control	∧ 3
6. Defrost control (Only in heating operation)	∧ 3
7. Compressor protective control	∧ 3
8. Discharge temperature control	∧ 4
9. Pulse motor valve (PMV) control	∧ 4
10. High-pressure switch/Compressor case thermostat control	∧ 4

**9-3. Intermittent Operation Control for Indoor Fans of the Indoor Unit
at Thermo-off Side in Heating Operation..... * 5**

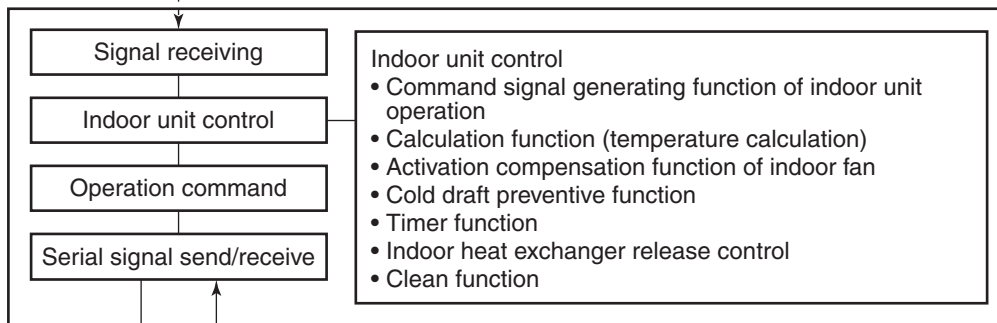
9-4. Service switch (SW01, SW02) operation * 5

Item	Operation flow and applicable data, etc.	Description
<p>1. Basic operation</p>	<p>1. Operation control</p> <p>Receiving the user's operation condition setup, the operation statuses of indoor/outdoor units are controlled.</p> <ol style="list-style-type: none"> 1) The operation conditions are selected by the remote controller as shown in the below. 2) A signal is sent by ON button of the remote controller. 3) The signal is received by a sensor of the indoor unit and processed by the indoor controllers as shown in the below. 4) The indoor controller controls the indoor fan motor and louver motor. 5) The indoor controller sends the operation command to the outdoor controller, and sends/receives the control status with a serial signal. 6) The outdoor controller controls the operation as shown in the below, and also controls the compressor, outdoor fan motor, 4-way valve and pulse motor valve. 	

Remote controller

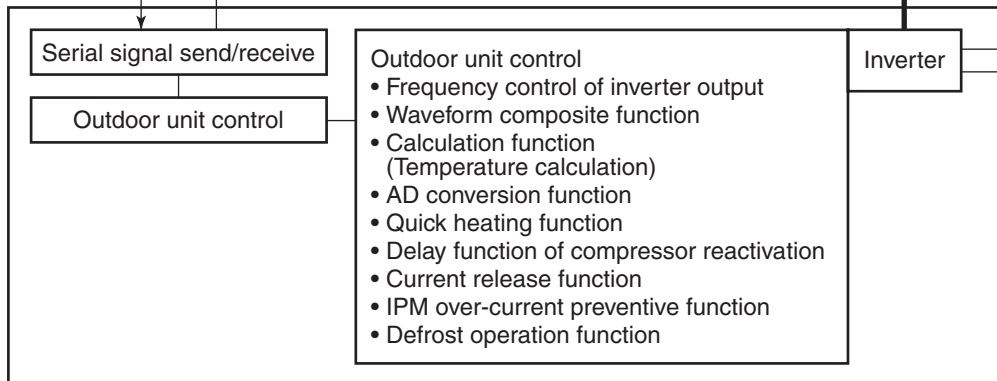


Indoor unit

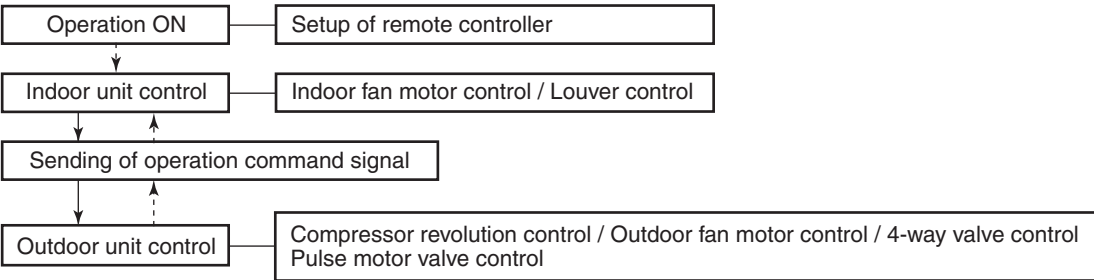


- Indoor fan motor
- Louver motor
- Moving panel motor
- Air purifier

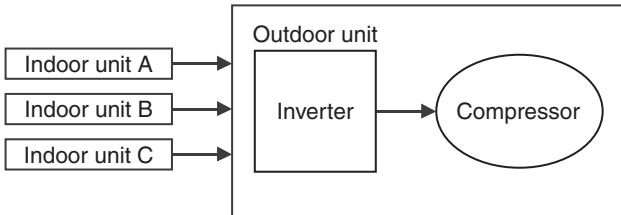
Outdoor unit



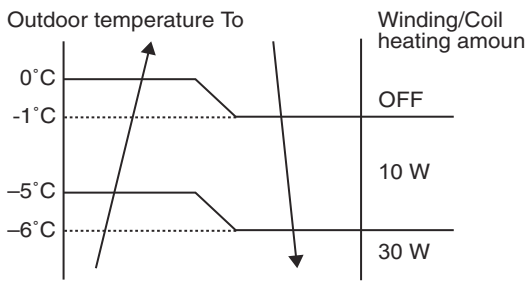
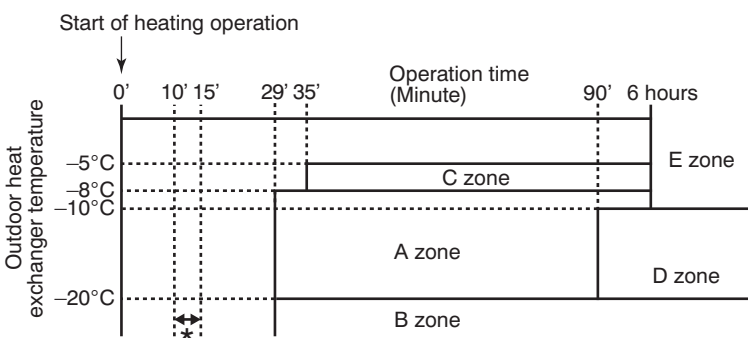
- Compressor
- Outdoor fan motor
- 4-way valve
- Pulse motor valve (P.M.V.)

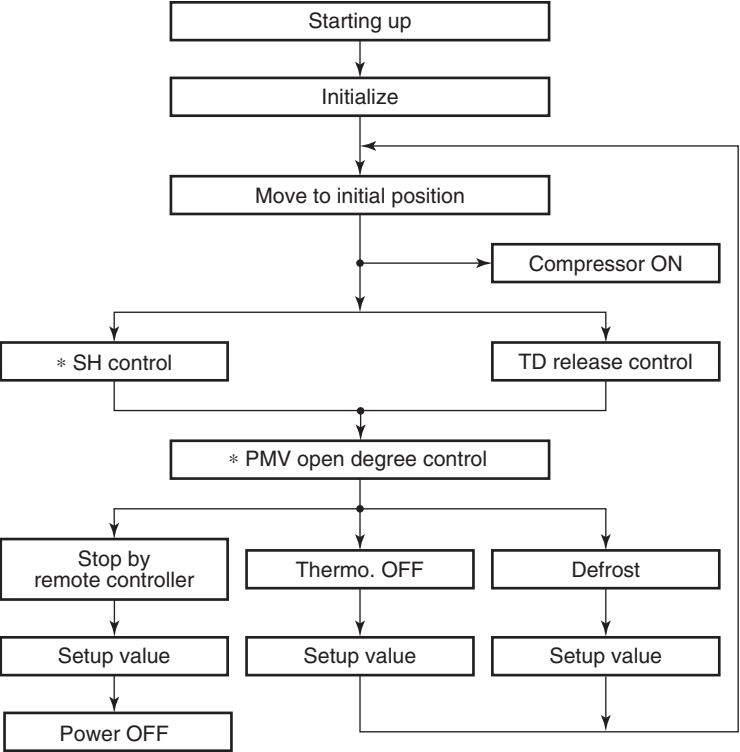
Item	Operation flow and applicable data, etc.	Description																																																																																																																																					
1. Basic operation	<p>2. Operating mode selection when performing 2-room operation</p> <p>1) The outdoor unit operating mode conforms to the instructions of the indoor unit that was pushed first.</p> <p>2) When combined operation consisting of cooling (dry) and heating, fan (air purification) and heating, or cleaning operation and heating is performed, operation conforms to the instructions of the indoor unit that was pushed first as shown in the following table.</p> <p>3) The indoor fan stops for the indoor unit that was pushed last and which instructions are ignored.</p> <p>4) When three or four indoor units are operated concurrently, the priority is also given to operating mode of the indoor unit which was pushed first as same as the case when two indoor units are operated concurrently.</p> <table border="1" data-bbox="331 504 1428 1413"> <thead> <tr> <th>No.</th> <th>Indoor unit</th> <th>Set operating mode</th> <th>Actual indoor unit operation</th> <th>Actual outdoor unit operation</th> </tr> </thead> <tbody> <tr> <td rowspan="2">1</td> <td>Pushed first</td> <td>Cooling (dry)</td> <td>Cooling (dry)</td> <td rowspan="2">Cooling</td> </tr> <tr> <td>Pushed last</td> <td>Cooling (dry)</td> <td>Cooling (dry)</td> </tr> <tr> <td rowspan="2">2</td> <td>Pushed first</td> <td>Heating</td> <td>Heating</td> <td rowspan="2">Heating</td> </tr> <tr> <td>Pushed last</td> <td>Heating</td> <td>Heating</td> </tr> <tr> <td rowspan="2">3</td> <td>Pushed first</td> <td>Fan (solo air purification)</td> <td>Fan (solo air purification)</td> <td rowspan="2">Stopped</td> </tr> <tr> <td>Pushed last</td> <td>Fan (solo air purification)</td> <td>Fan (solo air purification)</td> </tr> <tr> <td rowspan="2">4</td> <td>Pushed first</td> <td>Fan (solo air purification)</td> <td>Fan (solo air purification)</td> <td rowspan="2">Cooling</td> </tr> <tr> <td>Pushed last</td> <td>Cooling (dry)</td> <td>Cooling (dry)</td> </tr> <tr> <td rowspan="2">5</td> <td>Pushed first</td> <td>Cooling (dry)</td> <td>Cooling (dry)</td> <td rowspan="2">Cooling</td> </tr> <tr> <td>Pushed last</td> <td>Fan (solo air purification)</td> <td>Fan (solo air purification)</td> </tr> <tr> <td rowspan="2">6</td> <td>Pushed first</td> <td>Cooling (dry)</td> <td>Cooling (dry)</td> <td rowspan="2">Cooling</td> </tr> <tr> <td>Pushed last</td> <td>Heating</td> <td>Fan stopped</td> </tr> <tr> <td rowspan="2">7</td> <td>Pushed first</td> <td>Heating</td> <td>Heating</td> <td rowspan="2">Heating</td> </tr> <tr> <td>Pushed last</td> <td>Cooling (dry)</td> <td>Fan stopped</td> </tr> <tr> <td rowspan="2">8</td> <td>Pushed first</td> <td>Fan (solo air purification)</td> <td>Fan (solo air purification)</td> <td rowspan="2">Stopped</td> </tr> <tr> <td>Pushed last</td> <td>Heating</td> <td>Fan stopped</td> </tr> <tr> <td rowspan="2">9</td> <td>Pushed first</td> <td>Heating</td> <td>Heating</td> <td rowspan="2">Heating</td> </tr> <tr> <td>Pushed last</td> <td>Fan (solo air purification)</td> <td>Fan stopped</td> </tr> <tr> <td rowspan="2">10</td> <td>Pushed first</td> <td>Cleaning operation</td> <td>Cleaning operation</td> <td rowspan="2">Stopped</td> </tr> <tr> <td>Pushed last</td> <td>Cleaning operation</td> <td>Cleaning operation</td> </tr> <tr> <td rowspan="2">11</td> <td>Pushed first</td> <td>Cleaning operation</td> <td>Cleaning operation</td> <td rowspan="2">Cooling</td> </tr> <tr> <td>Pushed last</td> <td>Cooling (dry)</td> <td>Cooling (dry)</td> </tr> <tr> <td rowspan="2">12</td> <td>Pushed first</td> <td>Cooling (dry)</td> <td>Cooling (dry)</td> <td rowspan="2">Cooling</td> </tr> <tr> <td>Pushed last</td> <td>Cleaning operation</td> <td>Cleaning operation</td> </tr> <tr> <td rowspan="2">13</td> <td>Pushed first</td> <td>Cleaning operation</td> <td>Cleaning operation</td> <td rowspan="2">Stopped</td> </tr> <tr> <td>Pushed last</td> <td>Fan (solo air purification)</td> <td>Fan (solo air purification)</td> </tr> <tr> <td rowspan="2">14</td> <td>Pushed first</td> <td>Fan (solo air purification)</td> <td>Fan (solo air purification)</td> <td rowspan="2">Stopped</td> </tr> <tr> <td>Pushed last</td> <td>Cleaning operation</td> <td>Cleaning operation</td> </tr> <tr> <td rowspan="2">15</td> <td>Pushed first</td> <td>Cleaning operation</td> <td>Cleaning operation</td> <td rowspan="2">Stopped</td> </tr> <tr> <td>Pushed last</td> <td>Heating</td> <td>Fan stopped</td> </tr> <tr> <td rowspan="2">16</td> <td>Pushed first</td> <td>Heating</td> <td>Heating</td> <td rowspan="2">Heating</td> </tr> <tr> <td>Pushed last</td> <td>Cleaning operation</td> <td>Fan stopped</td> </tr> </tbody> </table>	No.	Indoor unit	Set operating mode	Actual indoor unit operation	Actual outdoor unit operation	1	Pushed first	Cooling (dry)	Cooling (dry)	Cooling	Pushed last	Cooling (dry)	Cooling (dry)	2	Pushed first	Heating	Heating	Heating	Pushed last	Heating	Heating	3	Pushed first	Fan (solo air purification)	Fan (solo air purification)	Stopped	Pushed last	Fan (solo air purification)	Fan (solo air purification)	4	Pushed first	Fan (solo air purification)	Fan (solo air purification)	Cooling	Pushed last	Cooling (dry)	Cooling (dry)	5	Pushed first	Cooling (dry)	Cooling (dry)	Cooling	Pushed last	Fan (solo air purification)	Fan (solo air purification)	6	Pushed first	Cooling (dry)	Cooling (dry)	Cooling	Pushed last	Heating	Fan stopped	7	Pushed first	Heating	Heating	Heating	Pushed last	Cooling (dry)	Fan stopped	8	Pushed first	Fan (solo air purification)	Fan (solo air purification)	Stopped	Pushed last	Heating	Fan stopped	9	Pushed first	Heating	Heating	Heating	Pushed last	Fan (solo air purification)	Fan stopped	10	Pushed first	Cleaning operation	Cleaning operation	Stopped	Pushed last	Cleaning operation	Cleaning operation	11	Pushed first	Cleaning operation	Cleaning operation	Cooling	Pushed last	Cooling (dry)	Cooling (dry)	12	Pushed first	Cooling (dry)	Cooling (dry)	Cooling	Pushed last	Cleaning operation	Cleaning operation	13	Pushed first	Cleaning operation	Cleaning operation	Stopped	Pushed last	Fan (solo air purification)	Fan (solo air purification)	14	Pushed first	Fan (solo air purification)	Fan (solo air purification)	Stopped	Pushed last	Cleaning operation	Cleaning operation	15	Pushed first	Cleaning operation	Cleaning operation	Stopped	Pushed last	Heating	Fan stopped	16	Pushed first	Heating	Heating	Heating	Pushed last	Cleaning operation	Fan stopped	
No.	Indoor unit	Set operating mode	Actual indoor unit operation	Actual outdoor unit operation																																																																																																																																			
1	Pushed first	Cooling (dry)	Cooling (dry)	Cooling																																																																																																																																			
	Pushed last	Cooling (dry)	Cooling (dry)																																																																																																																																				
2	Pushed first	Heating	Heating	Heating																																																																																																																																			
	Pushed last	Heating	Heating																																																																																																																																				
3	Pushed first	Fan (solo air purification)	Fan (solo air purification)	Stopped																																																																																																																																			
	Pushed last	Fan (solo air purification)	Fan (solo air purification)																																																																																																																																				
4	Pushed first	Fan (solo air purification)	Fan (solo air purification)	Cooling																																																																																																																																			
	Pushed last	Cooling (dry)	Cooling (dry)																																																																																																																																				
5	Pushed first	Cooling (dry)	Cooling (dry)	Cooling																																																																																																																																			
	Pushed last	Fan (solo air purification)	Fan (solo air purification)																																																																																																																																				
6	Pushed first	Cooling (dry)	Cooling (dry)	Cooling																																																																																																																																			
	Pushed last	Heating	Fan stopped																																																																																																																																				
7	Pushed first	Heating	Heating	Heating																																																																																																																																			
	Pushed last	Cooling (dry)	Fan stopped																																																																																																																																				
8	Pushed first	Fan (solo air purification)	Fan (solo air purification)	Stopped																																																																																																																																			
	Pushed last	Heating	Fan stopped																																																																																																																																				
9	Pushed first	Heating	Heating	Heating																																																																																																																																			
	Pushed last	Fan (solo air purification)	Fan stopped																																																																																																																																				
10	Pushed first	Cleaning operation	Cleaning operation	Stopped																																																																																																																																			
	Pushed last	Cleaning operation	Cleaning operation																																																																																																																																				
11	Pushed first	Cleaning operation	Cleaning operation	Cooling																																																																																																																																			
	Pushed last	Cooling (dry)	Cooling (dry)																																																																																																																																				
12	Pushed first	Cooling (dry)	Cooling (dry)	Cooling																																																																																																																																			
	Pushed last	Cleaning operation	Cleaning operation																																																																																																																																				
13	Pushed first	Cleaning operation	Cleaning operation	Stopped																																																																																																																																			
	Pushed last	Fan (solo air purification)	Fan (solo air purification)																																																																																																																																				
14	Pushed first	Fan (solo air purification)	Fan (solo air purification)	Stopped																																																																																																																																			
	Pushed last	Cleaning operation	Cleaning operation																																																																																																																																				
15	Pushed first	Cleaning operation	Cleaning operation	Stopped																																																																																																																																			
	Pushed last	Heating	Fan stopped																																																																																																																																				
16	Pushed first	Heating	Heating	Heating																																																																																																																																			
	Pushed last	Cleaning operation	Fan stopped																																																																																																																																				
	<p>3. Cooling/Heating operation</p> <p>The operations are performed in the following parts by controls according to cooling/heating conditions.</p> <p>1) Receiving the operation ON signal of the remote controller, the cooling or heating operation signal starts being transferred from the indoor controller to the outdoor unit.</p> <p>2) At the indoor unit side, the indoor fan is operated according to the contents of “2. Indoor fan motor control” and the louver according to the contents of “10. Louver control”, respectively.</p> <p>3) The outdoor unit controls the outdoor fan motor, compressor, pulse motor valve (PMV) and 4-way valve according to the operation signal sent from the indoor unit.</p> <p>*1. The relay of 4-way valve is turned on, for a few seconds when 4-way valve is driven.</p>  <pre> graph TD A[Operation ON] --> B[Indoor unit control] C[Setup of remote controller] --- B B --> D[Sending of operation command signal] D --> E[Outdoor unit control] E --> D F[Indoor fan motor control / Louver control] --- B G[Compressor revolution control / Outdoor fan motor control / 4-way valve control / Pulse motor valve control] --- E </pre>																																																																																																																																						

Item	Operation flow and applicable data, etc.	Description																																																												
<p>2. Outdoor fan motor control</p>	<p>The blowing air volume at the outdoor unit side is controlled. Receiving the operation command from the controller of indoor unit, the controller of outdoor unit controls fan speed.</p> <p>* For the fan motor, a DC motor with non-stage variable speed system is used. However, it is limited to 8 stages for reasons of controlling.</p> <pre> graph TD A[Air conditioner ON (Remote controller)] --> B[Indoor unit controller] B --> C[1) Outdoor unit operation command (Outdoor fan control)] C --> D{2) Fan speed ≥ 400 when the motor stopped.} D -- YES --> E[OFF status of fan motor continues.] D -- NO --> F[Fan motor ON] F --> G{3) Fan lock} G -- YES --> H[Air conditioner OFF] H --> I[Alarm display] G -- NO --> J[4) Motor operates as shown in the table below.] </pre>	<p>1) The operation command sent from the remote controller is processed by the indoor unit controller and transferred to the controller of the outdoor unit.</p> <p>2) When strong wind blows at outdoor side, the operation of air conditioner continues with the fan motor stopped.</p> <p>3) Whether the fan is locked or not is detected, and the operation of air conditioner stops and an alarm is displayed if the fan is locked.</p> <p>4) According to each operation mode, by the conditions of outdoor temperature (To) and compressor revolution, the speed of the outdoor fan shown in the table is selected.</p>																																																												
<p>Cooling operation, dry operation</p>																																																														
<p>RAS-2M14U2AVG-E,-TR</p>																																																														
<table border="1"> <thead> <tr> <th colspan="2">Compressor revolution (rps)</th> <th>~20</th> <th>~42</th> <th>~55</th> <th>56~</th> </tr> </thead> <tbody> <tr> <td rowspan="8">Outdoor temp. sensor To</td> <td rowspan="7">Normal operation</td> <td>To ≥ 38°C</td> <td>350</td> <td>630</td> <td>700</td> <td>800</td> </tr> <tr> <td>28 ≤ To < 38°C</td> <td>350</td> <td>550</td> <td>630</td> <td>700</td> </tr> <tr> <td>15 ≤ To < 28°C</td> <td>300</td> <td>550</td> <td>550</td> <td>630</td> </tr> <tr> <td>10 ≤ To < 15°C</td> <td>300</td> <td>470</td> <td>470</td> <td>550</td> </tr> <tr> <td>5 ≤ To < 10°C</td> <td>300</td> <td>350</td> <td>350</td> <td>470</td> </tr> <tr> <td>0 ≤ To < 5°C</td> <td>300</td> <td>300</td> <td>300</td> <td>350</td> </tr> <tr> <td>To < 0°C</td> <td>0</td> <td>0~300</td> <td>0~300</td> <td>0~300</td> </tr> <tr> <td>Sleep or quiet operation</td> <td>To ≥ 38°C</td> <td>350*</td> <td>550*</td> <td>630*</td> <td>700*</td> </tr> <tr> <td>To < 38°C</td> <td>300*</td> <td>470*</td> <td>550*</td> <td>630*</td> </tr> <tr> <td colspan="2">To is abnormal</td> <td>300~350</td> <td>300~550</td> <td>300~630</td> <td>300~700</td> </tr> </tbody> </table>			Compressor revolution (rps)		~20	~42	~55	56~	Outdoor temp. sensor To	Normal operation	To ≥ 38°C	350	630	700	800	28 ≤ To < 38°C	350	550	630	700	15 ≤ To < 28°C	300	550	550	630	10 ≤ To < 15°C	300	470	470	550	5 ≤ To < 10°C	300	350	350	470	0 ≤ To < 5°C	300	300	300	350	To < 0°C	0	0~300	0~300	0~300	Sleep or quiet operation	To ≥ 38°C	350*	550*	630*	700*	To < 38°C	300*	470*	550*	630*	To is abnormal		300~350	300~550	300~630	300~700
Compressor revolution (rps)		~20	~42	~55	56~																																																									
Outdoor temp. sensor To	Normal operation	To ≥ 38°C	350	630	700	800																																																								
		28 ≤ To < 38°C	350	550	630	700																																																								
		15 ≤ To < 28°C	300	550	550	630																																																								
		10 ≤ To < 15°C	300	470	470	550																																																								
		5 ≤ To < 10°C	300	350	350	470																																																								
		0 ≤ To < 5°C	300	300	300	350																																																								
		To < 0°C	0	0~300	0~300	0~300																																																								
	Sleep or quiet operation	To ≥ 38°C	350*	550*	630*	700*																																																								
To < 38°C	300*	470*	550*	630*																																																										
To is abnormal		300~350	300~550	300~630	300~700																																																									
<p>*Maximum revolution To : Outdoor temp. sensor</p>																																																														
<p>RAS-2M18U2AVG-E,-TR</p>																																																														
<table border="1"> <thead> <tr> <th colspan="2">Compressor revolution (rps)</th> <th>~20</th> <th>~50</th> <th>~55</th> <th>56~</th> </tr> </thead> <tbody> <tr> <td rowspan="8">Outdoor temp. sensor To</td> <td rowspan="7">Normal operation</td> <td>To ≥ 38°C</td> <td>350</td> <td>630</td> <td>700</td> <td>800</td> </tr> <tr> <td>28 ≤ To < 38°C</td> <td>350</td> <td>550</td> <td>630</td> <td>700</td> </tr> <tr> <td>15 ≤ To < 28°C</td> <td>300</td> <td>550</td> <td>550</td> <td>630</td> </tr> <tr> <td>10 ≤ To < 15°C</td> <td>300</td> <td>470</td> <td>470</td> <td>550</td> </tr> <tr> <td>5 ≤ To < 10°C</td> <td>300</td> <td>350</td> <td>350</td> <td>470</td> </tr> <tr> <td>0 ≤ To < 5°C</td> <td>300</td> <td>300</td> <td>300</td> <td>350</td> </tr> <tr> <td>To < 0°C</td> <td>0</td> <td>0~300</td> <td>0~300</td> <td>0~300</td> </tr> <tr> <td>Sleep or quiet operation</td> <td>To ≥ 38°C</td> <td>350*</td> <td>550*</td> <td>630*</td> <td>700*</td> </tr> <tr> <td>To < 38°C</td> <td>300*</td> <td>470*</td> <td>550*</td> <td>630*</td> </tr> <tr> <td colspan="2">To is abnormal</td> <td>300~350</td> <td>300~550</td> <td>300~630</td> <td>300~700</td> </tr> </tbody> </table>			Compressor revolution (rps)		~20	~50	~55	56~	Outdoor temp. sensor To	Normal operation	To ≥ 38°C	350	630	700	800	28 ≤ To < 38°C	350	550	630	700	15 ≤ To < 28°C	300	550	550	630	10 ≤ To < 15°C	300	470	470	550	5 ≤ To < 10°C	300	350	350	470	0 ≤ To < 5°C	300	300	300	350	To < 0°C	0	0~300	0~300	0~300	Sleep or quiet operation	To ≥ 38°C	350*	550*	630*	700*	To < 38°C	300*	470*	550*	630*	To is abnormal		300~350	300~550	300~630	300~700
Compressor revolution (rps)		~20	~50	~55	56~																																																									
Outdoor temp. sensor To	Normal operation	To ≥ 38°C	350	630	700	800																																																								
		28 ≤ To < 38°C	350	550	630	700																																																								
		15 ≤ To < 28°C	300	550	550	630																																																								
		10 ≤ To < 15°C	300	470	470	550																																																								
		5 ≤ To < 10°C	300	350	350	470																																																								
		0 ≤ To < 5°C	300	300	300	350																																																								
		To < 0°C	0	0~300	0~300	0~300																																																								
	Sleep or quiet operation	To ≥ 38°C	350*	550*	630*	700*																																																								
To < 38°C	300*	470*	550*	630*																																																										
To is abnormal		300~350	300~550	300~630	300~700																																																									
<p>*Maximum revolution To : Outdoor temp. sensor</p>																																																														
<p>RAS-3M18U2AVG-E,-TR</p>																																																														
<table border="1"> <thead> <tr> <th colspan="2">Compressor revolution (rps)</th> <th>~20</th> <th>~50</th> <th>~55</th> <th>56~</th> </tr> </thead> <tbody> <tr> <td rowspan="8">Outdoor temp. sensor To</td> <td rowspan="7">Normal operation</td> <td>To ≥ 38°C</td> <td>350</td> <td>630</td> <td>720</td> <td>800</td> </tr> <tr> <td>28 ≤ To < 38°C</td> <td>350</td> <td>550</td> <td>630</td> <td>720</td> </tr> <tr> <td>15 ≤ To < 28°C</td> <td>300</td> <td>550</td> <td>550</td> <td>630</td> </tr> <tr> <td>10 ≤ To < 15°C</td> <td>300</td> <td>470</td> <td>470</td> <td>550</td> </tr> <tr> <td>5 ≤ To < 10°C</td> <td>300</td> <td>350</td> <td>350</td> <td>470</td> </tr> <tr> <td>0 ≤ To < 5°C</td> <td>300</td> <td>300</td> <td>300</td> <td>350</td> </tr> <tr> <td>To < 0°C</td> <td>0</td> <td>0~300</td> <td>0~300</td> <td>0~300</td> </tr> <tr> <td>Sleep or quiet operation</td> <td>To ≥ 38°C</td> <td>350*</td> <td>550*</td> <td>630*</td> <td>720*</td> </tr> <tr> <td>To < 38°C</td> <td>300*</td> <td>470*</td> <td>550*</td> <td>630*</td> </tr> <tr> <td colspan="2">To is abnormal</td> <td>300~350</td> <td>300~550</td> <td>300~630</td> <td>300~720</td> </tr> </tbody> </table>			Compressor revolution (rps)		~20	~50	~55	56~	Outdoor temp. sensor To	Normal operation	To ≥ 38°C	350	630	720	800	28 ≤ To < 38°C	350	550	630	720	15 ≤ To < 28°C	300	550	550	630	10 ≤ To < 15°C	300	470	470	550	5 ≤ To < 10°C	300	350	350	470	0 ≤ To < 5°C	300	300	300	350	To < 0°C	0	0~300	0~300	0~300	Sleep or quiet operation	To ≥ 38°C	350*	550*	630*	720*	To < 38°C	300*	470*	550*	630*	To is abnormal		300~350	300~550	300~630	300~720
Compressor revolution (rps)		~20	~50	~55	56~																																																									
Outdoor temp. sensor To	Normal operation	To ≥ 38°C	350	630	720	800																																																								
		28 ≤ To < 38°C	350	550	630	720																																																								
		15 ≤ To < 28°C	300	550	550	630																																																								
		10 ≤ To < 15°C	300	470	470	550																																																								
		5 ≤ To < 10°C	300	350	350	470																																																								
		0 ≤ To < 5°C	300	300	300	350																																																								
		To < 0°C	0	0~300	0~300	0~300																																																								
	Sleep or quiet operation	To ≥ 38°C	350*	550*	630*	720*																																																								
To < 38°C	300*	470*	550*	630*																																																										
To is abnormal		300~350	300~550	300~630	300~720																																																									
<p>*Maximum revolution To : Outdoor temp. sensor</p>																																																														

Item	Operation flow and applicable data, etc.				Description			
2. Outdoor fan motor control	Heating operation RAS-2M14U2AVG-E,-							
	Compressor revolution (rps)			~31	~46	47~		
	Outdoor temp. sensor To	Normal operation	To ≥ 10°C	420	470	550		
			0 ≤ To < 10°C	470	550	630		
			-5 ≤ To < 0°C	680	680	680		
			To < -5°C	680	680	680		
		Sleep or quiet operation	To ≥ 10°C	420*	420*	470*		
			0 ≤ To < 10°C	470*	470*	550*		
			-5 ≤ To < 0°C	550*	550*	550*		
			To < -5°C	550*	550*	550*		
	To is abnormal			550	550	630		
	*Maximum revolution To : Outdoor temp. sensor							
RAS-2M18U2AVG-E,-TR								
Compressor revolution (rps)			~31	~46	47~			
Outdoor temp. sensor To	Normal operation	To ≥ 10°C	420	470	550			
		0 ≤ To < 10°C	470	550	680			
		-5 ≤ To < 0°C	680	680	730			
		To < -5°C	680	680	730			
	Sleep or quiet operation	To ≥ 10°C	420*	420*	470*			
		0 ≤ To < 10°C	470*	470*	550*			
		-5 ≤ To < 0°C	550*	550*	550*			
		To < -5°C	550*	550*	550*			
To is abnormal			550	550	680			
*Maximum revolution To : Outdoor temp. sensor								
RAS-3M18U2AVG-E,-TR								
Compressor revolution (rps)			~31	~46	47~			
Outdoor temp. sensor To	Normal operation	To ≥ 10°C	420	470	550			
		0 ≤ To < 10°C	470	550	700			
		-5 ≤ To < 0°C	700	700	730			
		To < -5°C	700	700	730			
	Sleep or quiet operation	To ≥ 10°C	420*	420*	470*			
		0 ≤ To < 10°C	470*	470*	550*			
		-5 ≤ To < 0°C	550*	550*	550*			
		To < -5°C	550*	550*	550*			
To is abnormal			550	550	700			
*Maximum revolution To : Outdoor temp. sensor								
3. Capacity control	1) Four indoor units from A to E determine the respective instruction revolutions from the difference between the remote controller setting temperature (Ts) and the indoor temperature (Ta), and transmit this to the outdoor unit. 2) The outdoor unit receives the instructions from the indoor units, and the inverter operates the compressor at the calculated revolutions. 3) The compressor operation range in each operating mode is shown in the left table.							
	 <pre> graph LR IA[Indoor unit A] --> OU[Outdoor unit] IB[Indoor unit B] --> OU IC[Indoor unit C] --> OU subgraph OU [Outdoor unit] Inverter --> Compressor end </pre>							
	RAS-2M14U2AVG-E,-TR							
Operation mode	No. of operating unit	Combination of indoor units (kBTU)	Compressor revolution (rps)	Operation mode	No. of operating unit	Combination of indoor units (kBTU)	Compressor revolution (rps)	
COOL	1 unit	07	13~46	HEAT	1 unit	07	13~62	
		10	13~46			10	13~62	
		13	13~58			13	13~66	
	2 units	*	15~59			2 units	*	15~71
	Sleep or quiet operation	-	~33			Sleep or quiet operation	-	~38
	* In case that any multiple indoor units are combined.							

Item	Operation flow and applicable data, etc.				Description																																															
3. Capacity control	RAS-2M18U2AVG-E,-TR																																																			
	<table border="1"> <thead> <tr> <th>Operation mode</th> <th>No. of operating unit</th> <th>Combination of indoor units (kBTU)</th> <th>Compressor revolution (rps)</th> <th>Operation mode</th> <th>No. of operating unit</th> <th>Combination of indoor units (kBTU)</th> <th>Compressor revolution (rps)</th> </tr> </thead> <tbody> <tr> <td rowspan="5">COOL</td> <td rowspan="4">1 unit</td> <td>07</td> <td>13~46</td> <td rowspan="5">HEAT</td> <td rowspan="4">1 unit</td> <td>07</td> <td>13~68</td> </tr> <tr> <td>10</td> <td>13~46</td> <td>10</td> <td>13~68</td> </tr> <tr> <td>13</td> <td>13~70</td> <td>13</td> <td>13~74</td> </tr> <tr> <td>16</td> <td>13~79</td> <td>16</td> <td>13~89</td> </tr> <tr> <td>2 units</td> <td>*</td> <td>15~83</td> <td>2 units</td> <td>*</td> <td>15~101</td> </tr> <tr> <td>Sleep or quiet operation</td> <td>-</td> <td>-</td> <td>~43</td> <td>Sleep or quiet operation</td> <td>-</td> <td>-</td> <td>~48</td> </tr> </tbody> </table>	Operation mode	No. of operating unit	Combination of indoor units (kBTU)	Compressor revolution (rps)	Operation mode	No. of operating unit	Combination of indoor units (kBTU)	Compressor revolution (rps)	COOL	1 unit	07	13~46	HEAT	1 unit	07	13~68	10	13~46	10	13~68	13	13~70	13	13~74	16	13~79	16	13~89	2 units	*	15~83	2 units	*	15~101	Sleep or quiet operation	-	-	~43	Sleep or quiet operation	-	-	~48	* In case that any multiple indoor units are combined.								
Operation mode	No. of operating unit	Combination of indoor units (kBTU)	Compressor revolution (rps)	Operation mode	No. of operating unit	Combination of indoor units (kBTU)	Compressor revolution (rps)																																													
COOL	1 unit	07	13~46	HEAT	1 unit	07	13~68																																													
		10	13~46			10	13~68																																													
		13	13~70			13	13~74																																													
		16	13~79			16	13~89																																													
	2 units	*	15~83		2 units	*	15~101																																													
Sleep or quiet operation	-	-	~43	Sleep or quiet operation	-	-	~48																																													
RAS-3M18U2AVG-E,-TR																																																				
<table border="1"> <thead> <tr> <th>Operation mode</th> <th>No. of operating unit</th> <th>Combination of indoor units (kBTU)</th> <th>Compressor revolution (rps)</th> <th>Operation mode</th> <th>No. of operating unit</th> <th>Combination of indoor units (kBTU)</th> <th>Compressor revolution (rps)</th> </tr> </thead> <tbody> <tr> <td rowspan="6">COOL</td> <td rowspan="4">1 unit</td> <td>07</td> <td>15~46</td> <td rowspan="6">HEAT</td> <td rowspan="4">1 unit</td> <td>07</td> <td>15~68</td> </tr> <tr> <td>10</td> <td>15~46</td> <td>10</td> <td>15~68</td> </tr> <tr> <td>13</td> <td>15~70</td> <td>13</td> <td>15~74</td> </tr> <tr> <td>16</td> <td>15~78</td> <td>16</td> <td>15~78</td> </tr> <tr> <td>2 units</td> <td>*</td> <td>25~83</td> <td>2 units</td> <td>*</td> <td>25~101</td> </tr> <tr> <td>3 units</td> <td>*</td> <td>25~86</td> <td>3 units</td> <td>*</td> <td>25~110</td> </tr> <tr> <td>Sleep or quiet operation</td> <td>-</td> <td>-</td> <td>~38</td> <td>Sleep or quiet operation</td> <td>-</td> <td>-</td> <td>~57</td> </tr> </tbody> </table>	Operation mode	No. of operating unit	Combination of indoor units (kBTU)	Compressor revolution (rps)	Operation mode	No. of operating unit	Combination of indoor units (kBTU)	Compressor revolution (rps)	COOL	1 unit	07	15~46	HEAT	1 unit	07	15~68	10	15~46	10	15~68	13	15~70	13	15~74	16	15~78	16	15~78	2 units	*	25~83	2 units	*	25~101	3 units	*	25~86	3 units	*	25~110	Sleep or quiet operation	-	-	~38	Sleep or quiet operation	-	-	~57	* In case that any multiple indoor units are combined.			
Operation mode	No. of operating unit	Combination of indoor units (kBTU)	Compressor revolution (rps)	Operation mode	No. of operating unit	Combination of indoor units (kBTU)	Compressor revolution (rps)																																													
COOL	1 unit	07	15~46	HEAT	1 unit	07	15~68																																													
		10	15~46			10	15~68																																													
		13	15~70			13	15~74																																													
		16	15~78			16	15~78																																													
	2 units	*	25~83		2 units	*	25~101																																													
	3 units	*	25~86		3 units	*	25~110																																													
Sleep or quiet operation	-	-	~38	Sleep or quiet operation	-	-	~57																																													
4. Current release control	This function prevents troubles on the electronic parts of the compressor driving inverter. This function also controls drive circuit of the compressor speed so that electric power of the compressor drive circuit does not exceed the specified value.				<ol style="list-style-type: none"> The input current of the outdoor unit is detected in the inverter section of the outdoor unit. According to the detected outdoor temperature, the specified value of the current is selected. Whether the current value exceeds the specified value or not is judged. If the current value exceeds the specified value, this function reduces the compressor speed and controls speed up to the closest one commanded from the indoor unit within the range which does not exceed the specified value. 																																															
<pre> graph TD A[Outdoor unit inverter main circuit control current] --> B{Operating current ≤ Setup value} C[Outdoor temp. To] --> D[Setup of current release point] D --> B B -- High --> E[Reduce compressor speed] E --> F{Current decrease} F --> B B -- Low --> G[Capacity control continues.] </pre>																																																				
<table border="1"> <thead> <tr> <th>Outdoor temp.</th> <th>Cooling current release value</th> <th>Heating current release value</th> </tr> </thead> <tbody> <tr> <td>45°C</td> <td rowspan="2">8.5 A</td> <td rowspan="4">11.5 A</td> </tr> <tr> <td>40°C</td> </tr> <tr> <td>16°C</td> <td>8.5 A</td> </tr> <tr> <td>11°C</td> <td rowspan="2">10.5 A</td> </tr> <tr> <td>10.5°C</td> <td>11.5 A</td> </tr> <tr> <td></td> <td></td> <td>11.5 A</td> </tr> </tbody> </table>								Outdoor temp.	Cooling current release value	Heating current release value	45°C	8.5 A	11.5 A	40°C	16°C	8.5 A	11°C	10.5 A	10.5°C	11.5 A			11.5 A																													
Outdoor temp.	Cooling current release value	Heating current release value																																																		
45°C	8.5 A	11.5 A																																																		
40°C																																																				
16°C	8.5 A																																																			
11°C	10.5 A																																																			
10.5°C		11.5 A																																																		
		11.5 A																																																		

Item	Operation flow and applicable data, etc.	Description										
<p>5. Winding/Coil heating control</p>	<p>When the outdoor temperature is low, the windings/ coils are heated to ensure compressor reliability.</p> 	<p>Winding/Coil heating is performed when the following conditions are met.</p> <p>Condition 1 : When the discharge sensor temperature (Td) is less than 30°C.</p> <p>Condition 2 : When the outdoor sensor temperature (To) is as shown in the left figure.</p>										
<p>6. Defrost control (Only in heating operation)</p>	<p>(This function removes frost adhered to the outdoor heat exchanger.)</p> <p>The temperature sensor of the outdoor heat exchanger (Te sensor) judges the frosting status of the outdoor heat exchanger and the defrost operation is performed with 4-way valve reverse defrost system.</p>  <p>* The minimum value of Te sensor 10 to 15 minutes after start of operation is stored in memory as Te0 and Te1. (-10°C < Te1 ≤ 10°C)</p> <p style="text-align: center;">Table 1</p> <table border="1" data-bbox="167 1377 933 1724"> <tr> <td>A zone</td> <td>When Te0 - TE ≥ 2.5 continued for 2 minutes in A zone, defrost operation starts.</td> </tr> <tr> <td>B zone</td> <td>When the operation continued for 2 minutes in B zone, defrost operation starts.</td> </tr> <tr> <td>C zone</td> <td>When Te0 - TE ≥ 3 continued for 2 minutes in C zone, defrost operation starts.</td> </tr> <tr> <td>D zone</td> <td>When the operation continued for 2 minutes in D zone, defrost operation starts.</td> </tr> <tr> <td>E zone</td> <td>When Te1 - TE ≥ 1 continued for 2 minutes in E zone, defrost operation starts.</td> </tr> </table>	A zone	When Te0 - TE ≥ 2.5 continued for 2 minutes in A zone, defrost operation starts.	B zone	When the operation continued for 2 minutes in B zone, defrost operation starts.	C zone	When Te0 - TE ≥ 3 continued for 2 minutes in C zone, defrost operation starts.	D zone	When the operation continued for 2 minutes in D zone, defrost operation starts.	E zone	When Te1 - TE ≥ 1 continued for 2 minutes in E zone, defrost operation starts.	<p>The necessity of defrost operation is detected by the outdoor heat exchanger temperature. The conditions to detect the necessity of defrost operation differ in A, B, C, D or E zone each. (Table 1)</p> <p><Defrost operation></p> <ul style="list-style-type: none"> Defrost operation in A to E zones <ol style="list-style-type: none"> Stop operation of the compressor for 30 seconds. Invert (OFF) 4-way valve 10 seconds after stop of the compressor. The outdoor fan stops at the same time when the compressor stops. When temperature of the indoor heat exchanger becomes 38°C or lower, stop the indoor fan. <p><Finish of defrost operation></p> <ul style="list-style-type: none"> Returning conditions from defrost operation to heating operation <ol style="list-style-type: none"> Temperature of outdoor heat exchanger rises to +8°C or higher. Temperature of outdoor heat exchanger is kept at +5°C or higher for 80 seconds. Defrost operation continues for 10 minutes. <p><Returning from defrost operation></p> <ol style="list-style-type: none"> Stop operation of the compressor for approx. 60 seconds. Invert (ON) 4-way valve approx. 40 seconds after stop of the compressor. The outdoor fan starts rotating at the same time when the compressor starts.
A zone	When Te0 - TE ≥ 2.5 continued for 2 minutes in A zone, defrost operation starts.											
B zone	When the operation continued for 2 minutes in B zone, defrost operation starts.											
C zone	When Te0 - TE ≥ 3 continued for 2 minutes in C zone, defrost operation starts.											
D zone	When the operation continued for 2 minutes in D zone, defrost operation starts.											
E zone	When Te1 - TE ≥ 1 continued for 2 minutes in E zone, defrost operation starts.											
<p>7. Compressor protective control</p>	<ol style="list-style-type: none"> This control purposes to raise the operation frequency until 45Hz for 2 minutes in order to protect the compressor (Prevention of oil accumulation in the refrigerating cycle) when the status that the operation frequency is 45Hz or less has continued for 10 hours was calculated. <p>The operation frequency follows the normal indoor command after controlling.</p> <ol style="list-style-type: none"> Although the compressor may stop by THERMO-OFF control when the room temperature varies and then attains the set temperature by this control, it is not abnormal. During this control works, it stopping the operation by the remote controller, the operation does not continue. 											

Item	Operation flow and applicable data, etc.	Description														
<p>8. Discharge temperature control</p> <table border="1" data-bbox="172 331 914 667"> <thead> <tr> <th>Td value</th> <th>Control operation</th> </tr> </thead> <tbody> <tr> <td>120°C</td> <td>Judges as an error and stops the compressor.</td> </tr> <tr> <td>115°C</td> <td>Reduce the compressor speed.</td> </tr> <tr> <td>111°C</td> <td>Reduce slowly compressor speed.</td> </tr> <tr> <td>108°C</td> <td>Keeps the compressor speed.</td> </tr> <tr> <td>101°C</td> <td>If the operation is performed with lower speed than one commanded by the serial signal, speed is slowly raised up to the commanded speed.</td> </tr> <tr> <td></td> <td>Operates with speed commanded by the serial signal.</td> </tr> </tbody> </table>	Td value	Control operation	120°C	Judges as an error and stops the compressor.	115°C	Reduce the compressor speed.	111°C	Reduce slowly compressor speed.	108°C	Keeps the compressor speed.	101°C	If the operation is performed with lower speed than one commanded by the serial signal, speed is slowly raised up to the commanded speed.		Operates with speed commanded by the serial signal.		<p>1. Purpose This function detects error on the refrigerating cycle or error on the compressor, and performs protective control.</p> <p>2. Operation</p> <ul style="list-style-type: none"> Control of the compressor speed The speed control is performed as described in the left table based upon the discharge temperature.
Td value	Control operation															
120°C	Judges as an error and stops the compressor.															
115°C	Reduce the compressor speed.															
111°C	Reduce slowly compressor speed.															
108°C	Keeps the compressor speed.															
101°C	If the operation is performed with lower speed than one commanded by the serial signal, speed is slowly raised up to the commanded speed.															
	Operates with speed commanded by the serial signal.															
<p>9. Pulse motor valve (PMV) control</p>  <p>* SH (Super Heat amount) = Ts (Temperature of suction pipe of the compressor) – Tc or Te (Heat exchanger temperature at evaporation side)</p> <p>* PMV: Pulse Motor Valve</p>	<p>This function controls throttle amount of the refrigerant in the refrigerating cycle. According to operating status of the air conditioner, this function also controls the open degree of valve with an expansion valve with pulse motor.</p>	<ol style="list-style-type: none"> When starting the operation, move the valve once until it fits to the stopper. (Initialize) * In this time, "Click" sound may be heard. Adjust the open degree of valve by super heat amount. (SH control) If the discharge temperature was excessively up, adjust the open degree of valve so that it is in the range of set temperature. (Discharge temp. control) When defrost operation is performed, the open degree of PMV is adjusted according to each setup conditions during preparation for defrost and during defrost operation (4-way valve is inverted.). When turning off the compressor by thermo. OFF or STOP by remote controller, the open degree of the PMV is adjusted to the setup value. 														
<p>10. High-pressure switch/ Compressor case thermostat control</p>	<ol style="list-style-type: none"> When the high-pressure switch or the compressor case thermostat operates, the operation of the compressor is terminated. The compressor restarts after 2 minutes 30 seconds using [1] as an error count. After restart, the error count is cleared when operation continues for 10 minutes or more. An error is confirmed with the error count [10]. For the indicated contents of error, confirm using the check code table. 															

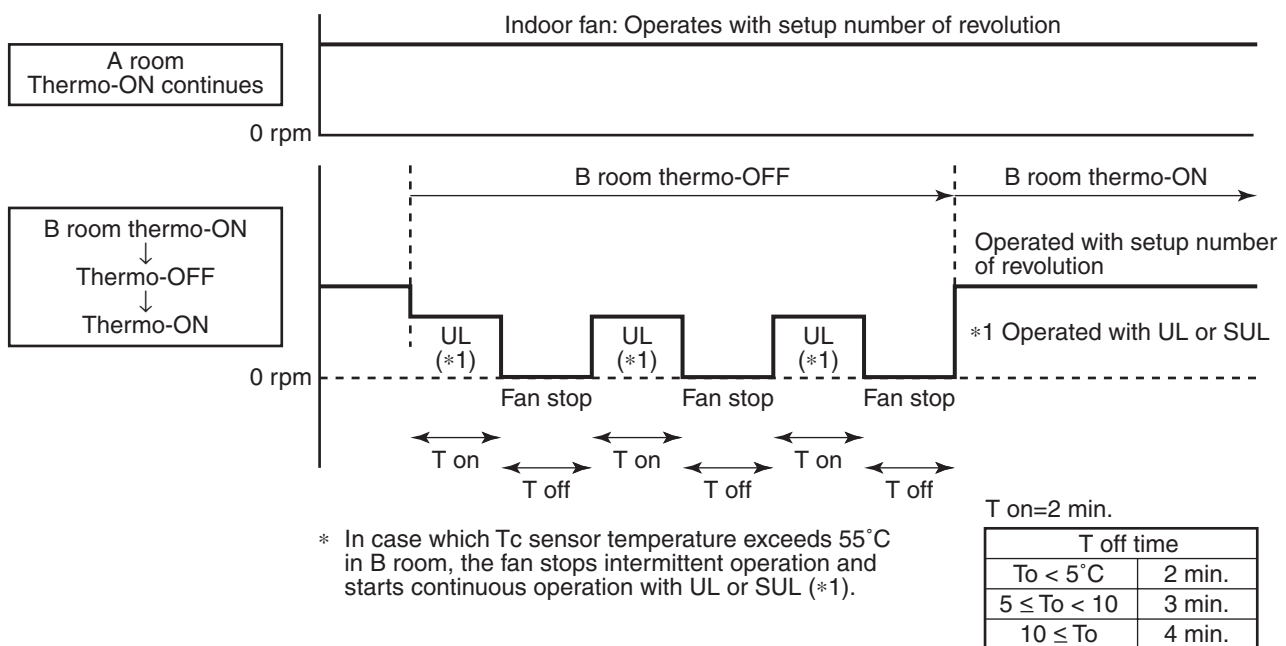
9-3. Intermittent Operation Control for Indoor Fans of the Indoor Unit at Thermo-off Side in Heating Operation

While heating operation is executed in two rooms, if room temperature reached the setup temperature in one room and thermo-off occurred, the following operations start. (Refer to the figure below.)

1. The indoor unit of the room (A room) in which thermo-off did not occur starts a continuous operation with the setup number of revolution.
2. The indoor unit of the room (B room) in which thermo-off occurred starts intermittent operation of the indoor fan. The indoor fan operates with number of revolution of UL or SUL. Fan-ON time is 2 minutes and Fan-OFF time is 2 to 4 minutes.

However if temperature of the indoor heat exchanger becomes over 55°C or more in B room, the indoor fan stops the intermittent operation and starts continuous operation.

While heating operation is executed in 2 rooms, if room temperature reached the setup temperature in both rooms and thermo-off occurred, both indoor units start intermittent operation of the indoor fan.



9-4. Service switch (SW01, SW02) operations

Various displays and various operations are enabled by push buttons (service) switches and LED on the outdoor control P.C. board.

9-4-1. LED display

5 patterns are provided for LED display.

○:ON (○*:3 sec ON/0.5 sec OFF), ●:OFF, ⊙:Rapid Flashing(5 times/sec), ◇:Slow Flashing(1 time/sec)

D800 (Yellow)	D801 (Yellow)	D802 (Yellow)	D803 (Yellow)	D804 (Yellow)	D805 (Green)
●/○(*)/⊙	●/○(*)/⊙	●/○(*)/⊙	●/○(*)/⊙	●/○(*)/⊙/◇	●/○/⊙/◇

In the initial status of LED display, D805 is ON as below.

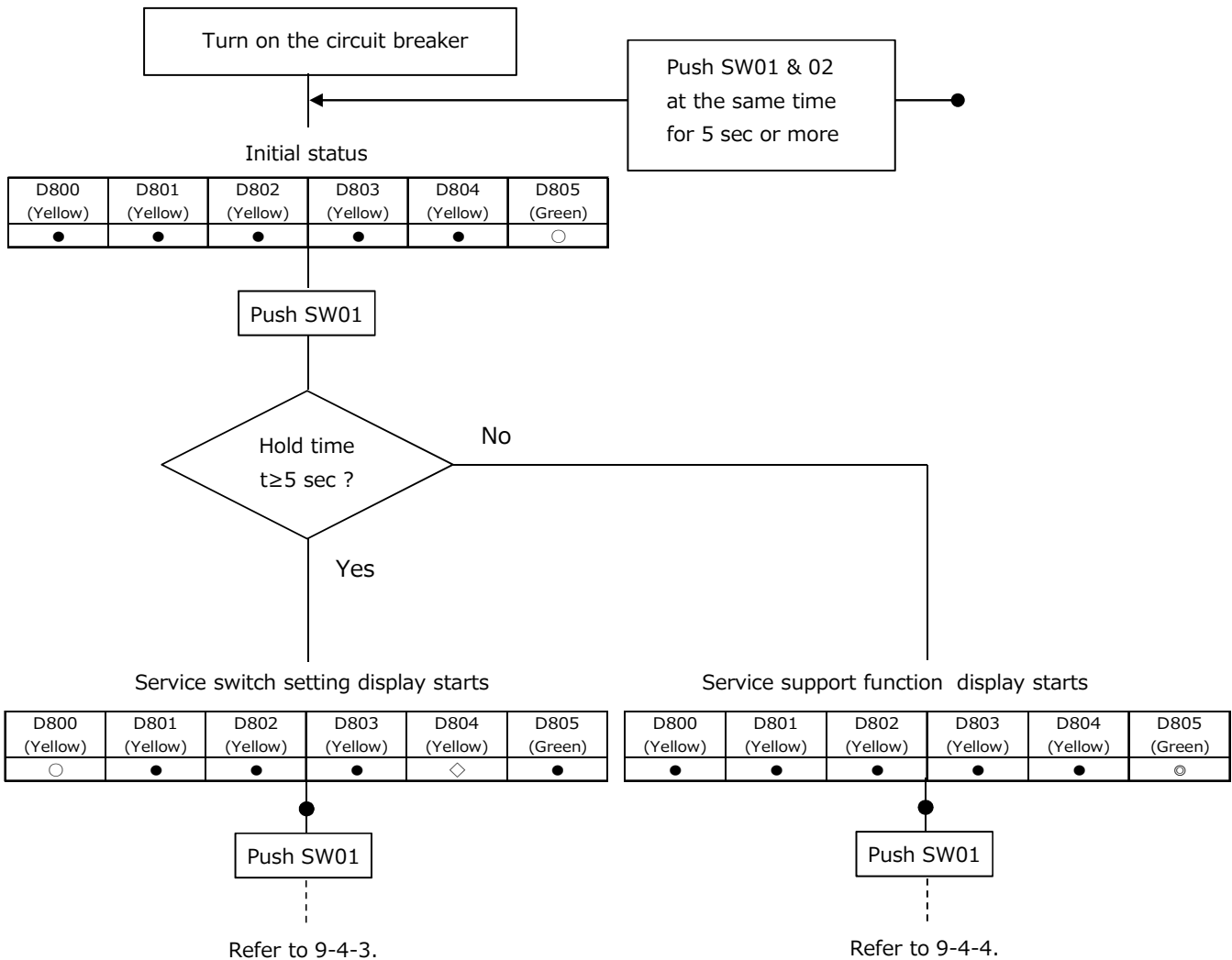
Normal						Error occurring					
D800 (Yellow)	D801 (Yellow)	D802 (Yellow)	D803 (Yellow)	D804 (Yellow)	D805 (Green)	D800 (Yellow)	D801 (Yellow)	D802 (Yellow)	D803 (Yellow)	D804 (Yellow)	D805 (Green)
●	●	●	●	●	○	●/○*	●/○*	●/○*	●/○*	●/○*	○
○:ON ●:OFF						○:ON ○*:3 sec ON/0.5 sec OFF ●:OFF					

When the initial status does not appear (in case of flashing of D804 or D805), LED display can be returned to the initial status by pushing and holding the service switches SW01 and SW02 for 5 seconds or more simultaneously.

9-4-2. Service switch setting and service support function

You can choose service switch setting and service support function.

Operating method is as below.



9-4-3. Service switch setting

Various settings are available by setting service switches.

[Operating method]

- 1) Check LED display is the initial status. If it is not so, set the initial status.
- 2) Push and hold SW01 for 5 seconds or more and then check D804 flashes slowly (1 times/sec).
- 3) Push SW01 several times and then stop it at the LED display of function item to be set up.
- 4) Push SW02 and then D805 will flash rapidly (5 times/sec). (D805 is turned off by pressing the SW02 again.)
- 5) Push and hold SW02 for 5 seconds or more. D804 changes to slow flashing, D805 changes to lighting and then various settings are validated.
- 6) When you want to continue the settings, moreover repeat items from 3) to 5).
- 7) To invalidate various settings, execute items 1) to 3), push SW02 and then D805 will turn off.
- 8) Push and hold SW02 for 5 seconds or more. D804 changes to slow flashing, D805 is turned off and then various settings are invalidated.

* If an unknown point generated on the way of the operation, push and hold SW01 and SW02 for 5 seconds or more simultaneously. You can return to the item 1).

[Confirmation method of various settings]

You can confirm that various settings are validated.

- 1) Check LED displays are in the initial status. If it are not so, return them to the initial status.
- 2) Push and hold SW01 for 5 seconds or more. D804 changes to slow flashing.
- 3) Push SW01 several times and then stop it at the point where LED display (D800 to D804) to be checked. If the setting became valid, D804 and D805 flash rapidly. (When the setup was invalid, D804 flashes rapidly and D805 goes off.)
- 4) Push SW01 and SW02 for 5 seconds or more simultaneously to return LED display to the initial status.

No.	Display					Item	Control contents																								
	D800 (YL)	D801 (YL)	D802 (YL)	D803 (YL)	D804 (YL)			D805 (GN)																							
1	○	●	●	●		Refrigerant collection operation At shipment from factory (default) D805 (Green) ●	<p>○: ON (○*: 3 sec ON/0.5 sec OFF) ●: OFF ◎: Rapid Flashing(5 times/sec) ◇: Slow Flashing(1 time/sec)</p> <p>The outdoor unit performs cooling operation. As the indoor unit does not operate by this switch setting only, carry out the operation beforehand. (Before switch setting, you have to operate in cooling mode of all indoor units.) During the check, the display is kept as below. *Operation is up to 10 minutes. *After the collection is finished, promptly stop the operation of all the indoor unit. (There are cases that the compressor restarts.)</p> <table border="1"> <tr> <td>D800 (Yellow)</td> <td>D801 (Yellow)</td> <td>D802 (Yellow)</td> <td>D803 (Yellow)</td> <td>D804 (Yellow)</td> <td>D805 (Green)</td> </tr> <tr> <td>○</td> <td>●</td> <td>●</td> <td>●</td> <td>◇</td> <td>○</td> </tr> </table>	D800 (Yellow)	D801 (Yellow)	D802 (Yellow)	D803 (Yellow)	D804 (Yellow)	D805 (Green)	○	●	●	●	◇	○												
D800 (Yellow)	D801 (Yellow)	D802 (Yellow)	D803 (Yellow)	D804 (Yellow)	D805 (Green)																										
○	●	●	●	◇	○																										
2	●	●	○	●		Miswiring (mispiping) check At shipment from factory (default) D805 (Green) ●	<p>The outdoor unit performs cooling operation. As the indoor unit does not operate by this switch setting only, carry out the operation beforehand. (Before switch setting, you have to operate in cooling mode of all indoor units.) During the check, the display is kept as below. *Operation is up to 30 minutes. *You cannot check wiring/piping when the external temperature is 5°C or less. *During the check, the compressor and the fan of the outdoor/indoor unit repeat ON/OFF.</p> <table border="1"> <tr> <td>D800 (Yellow)</td> <td>D801 (Yellow)</td> <td>D802 (Yellow)</td> <td>D803 (Yellow)</td> <td>D804 (Yellow)</td> <td>D805 (Green)</td> </tr> <tr> <td>●</td> <td>●</td> <td>○</td> <td>●</td> <td>◇</td> <td>○</td> </tr> </table>	D800 (Yellow)	D801 (Yellow)	D802 (Yellow)	D803 (Yellow)	D804 (Yellow)	D805 (Green)	●	●	○	●	◇	○												
D800 (Yellow)	D801 (Yellow)	D802 (Yellow)	D803 (Yellow)	D804 (Yellow)	D805 (Green)																										
●	●	○	●	◇	○																										
3	○	●	○	●		Fan motor operation check At shipment from factory (default) D805 (Green) ●	<p>Operate the fan motor forcedly. The motor rotates at 500rpm and operation is 2 minutes. During the check, the display is kept as below.</p> <table border="1"> <tr> <td>D800 (Yellow)</td> <td>D801 (Yellow)</td> <td>D802 (Yellow)</td> <td>D803 (Yellow)</td> <td>D804 (Yellow)</td> <td>D805 (Green)</td> </tr> <tr> <td>○</td> <td>●</td> <td>○</td> <td>●</td> <td>◇</td> <td>○</td> </tr> </table>	D800 (Yellow)	D801 (Yellow)	D802 (Yellow)	D803 (Yellow)	D804 (Yellow)	D805 (Green)	○	●	○	●	◇	○												
D800 (Yellow)	D801 (Yellow)	D802 (Yellow)	D803 (Yellow)	D804 (Yellow)	D805 (Green)																										
○	●	○	●	◇	○																										
4	●	○	○	●	◇*1 or ◎*2	PMV operation check At shipment from factory (default) D805 (Green) ●	<p>PMV is initialized to order from unit A. (only one time) Checking its operation sound and you can see that it is operating. During the check, the display is kept as below.</p> <table border="1"> <tr> <td>D800 (Yellow)</td> <td>D801 (Yellow)</td> <td>D802 (Yellow)</td> <td>D803 (Yellow)</td> <td>D804 (Yellow)</td> <td>D805 (Green)</td> </tr> <tr> <td>●</td> <td>○</td> <td>○</td> <td>●</td> <td>◇</td> <td>○</td> </tr> </table>	D800 (Yellow)	D801 (Yellow)	D802 (Yellow)	D803 (Yellow)	D804 (Yellow)	D805 (Green)	●	○	○	●	◇	○												
D800 (Yellow)	D801 (Yellow)	D802 (Yellow)	D803 (Yellow)	D804 (Yellow)	D805 (Green)																										
●	○	○	●	◇	○																										
5	○	○	○	●		Cooling only setting At shipment from factory (default) D805 (Green) ●	<p>When using the air conditioner as a cooling-only conditioner, set the switch. (If the heating mode is selected by remote controll, outdoor unit will remain stop. If mixed with indoor unit cooling and heating, outdoor unit performs cooling operation.) When the setting is finished, the display is as below.</p> <table border="1"> <tr> <td>D800 (Yellow)</td> <td>D801 (Yellow)</td> <td>D802 (Yellow)</td> <td>D803 (Yellow)</td> <td>D804 (Yellow)</td> <td>D805 (Green)</td> </tr> <tr> <td>○</td> <td>○</td> <td>○</td> <td>●</td> <td>◇</td> <td>○</td> </tr> </table>	D800 (Yellow)	D801 (Yellow)	D802 (Yellow)	D803 (Yellow)	D804 (Yellow)	D805 (Green)	○	○	○	●	◇	○												
D800 (Yellow)	D801 (Yellow)	D802 (Yellow)	D803 (Yellow)	D804 (Yellow)	D805 (Green)																										
○	○	○	●	◇	○																										
6	●	●	●	○		Heating only setting At shipment from factory (default) D805 (Green) ●	<p>When using the air conditioner as a heating-only conditioner, set the switch. (If the cooling mode is selected by remote controll, outdoor unit will remain stop. If mixed with indoor unit cooling and heating, outdoor unit performs heating operation.) When the setting is finished, the display is as below.</p> <table border="1"> <tr> <td>D800 (Yellow)</td> <td>D801 (Yellow)</td> <td>D802 (Yellow)</td> <td>D803 (Yellow)</td> <td>D804 (Yellow)</td> <td>D805 (Green)</td> </tr> <tr> <td>●</td> <td>●</td> <td>●</td> <td>○</td> <td>◇</td> <td>○</td> </tr> </table>	D800 (Yellow)	D801 (Yellow)	D802 (Yellow)	D803 (Yellow)	D804 (Yellow)	D805 (Green)	●	●	●	○	◇	○												
D800 (Yellow)	D801 (Yellow)	D802 (Yellow)	D803 (Yellow)	D804 (Yellow)	D805 (Green)																										
●	●	●	○	◇	○																										
7	●	○	●	○		Power save function At shipment from factory (default) D805 (Green) ●	<p>When using the power save function, set the switch. The current limit is enabled. When the setting is finished, the display is as below.</p> <table border="1"> <tr> <td>D800 (Yellow)</td> <td>D801 (Yellow)</td> <td>D802 (Yellow)</td> <td>D803 (Yellow)</td> <td>D804 (Yellow)</td> <td>D805 (Green)</td> </tr> <tr> <td>●</td> <td>○</td> <td>●</td> <td>○</td> <td>◇</td> <td>○</td> </tr> </table>	D800 (Yellow)	D801 (Yellow)	D802 (Yellow)	D803 (Yellow)	D804 (Yellow)	D805 (Green)	●	○	●	○	◇	○												
D800 (Yellow)	D801 (Yellow)	D802 (Yellow)	D803 (Yellow)	D804 (Yellow)	D805 (Green)																										
●	○	●	○	◇	○																										
8	○	○	●	○		Select current limit At shipment from factory (default) D805 (Green) ●	<p>If you enabled the power save function, you have to choose two of the current limit value. When the setting is finished, the display is as below.</p> <p>(1)8.5A</p> <table border="1"> <tr> <td>D800 (Yellow)</td> <td>D801 (Yellow)</td> <td>D802 (Yellow)</td> <td>D803 (Yellow)</td> <td>D804 (Yellow)</td> <td>D805 (Green)</td> </tr> <tr> <td>○</td> <td>○</td> <td>●</td> <td>○</td> <td>◇</td> <td>○</td> </tr> </table> <p>(2)11.0A</p> <table border="1"> <tr> <td>D800 (Yellow)</td> <td>D801 (Yellow)</td> <td>D802 (Yellow)</td> <td>D803 (Yellow)</td> <td>D804 (Yellow)</td> <td>D805 (Green)</td> </tr> <tr> <td>○</td> <td>○</td> <td>●</td> <td>○</td> <td>◇</td> <td>●</td> </tr> </table>	D800 (Yellow)	D801 (Yellow)	D802 (Yellow)	D803 (Yellow)	D804 (Yellow)	D805 (Green)	○	○	●	○	◇	○	D800 (Yellow)	D801 (Yellow)	D802 (Yellow)	D803 (Yellow)	D804 (Yellow)	D805 (Green)	○	○	●	○	◇	●
D800 (Yellow)	D801 (Yellow)	D802 (Yellow)	D803 (Yellow)	D804 (Yellow)	D805 (Green)																										
○	○	●	○	◇	○																										
D800 (Yellow)	D801 (Yellow)	D802 (Yellow)	D803 (Yellow)	D804 (Yellow)	D805 (Green)																										
○	○	●	○	◇	●																										

*1. Item and setting is displaying.
*2. Item and setting is selecting.

9-4-4. Service support function

Various displays are available by setting service switches.

[Operating method]

- 1) Check LED display is the initial status. If it is not so, set the initial status.
- 2) Push SW01 several times and stop it at the item that you want to check.

No.	Display					D805 (GN)	Item	Description
	D800 (YL)	D801 (YL)	D802 (YL)	D803 (YL)	D804 (YL)			
0	●	●	●	●	●		Error display (Error which is occurring at present)	The error which is occurring at present is displayed. LED goes off while an error does not occur. (Refer to table A)
1	○	●	●	●	●		Error display (The latest error: The latest error including this moment)	After error status was eliminated, if you want to check the error which occurred before, call this setting and check it. (Even after turning off the power supply once, you can recheck it.) * This error display displays only the errors related to compressor stop. * In the case that an error occurred at present, the same contents as that at present is displayed. (Refer to table B)
2	●	○	●	●	●		Miswiring (mispiping) display	You can check the room judged as error by operating the miswiring (mispiping) check. (Refer to table C)
3	○	○	●	●	●		Discharge temperature sensor (TD) display	The detected value of the discharge temperature (TD) is displayed. (Refer to table C)
4	●	●	○	●	●		Outdoor heat exchanger temperature sensor (TE) display	The detected value of the outdoor heat exchanger temperature sensor (TE) is displayed. (Refer to table C)
5	○	●	○	●	●		Suction temperature sensor (TS) display	The detected value of the suction temperature sensor (TS) is displayed. (Refer to table C)
6	●	○	○	●	●		Outside temperature sensor (TO) display	The detected value of the outside temperature sensor (TO) is displayed. (Refer to table C)
7	○	○	○	●	●		Current display	The current value which flows to the outdoor unit is displayed. (Refer to table C)
8	●	●	●	○	●		Compressor operation frequency display	The operation frequency of the compressor is displayed. (Refer to table C)
9	○	●	●	○	●		PMV opening display (unit A)	The opening of PMV (Electronic expansion valve) is displayed. (Refer to table C)
10	●	○	●	○	●		PMV opening display (unitB)	The opening of PMV (Electronic expansion valve) is displayed. (Refer to table C)
11	○	○	●	○	●	◎	PMV opening display (unit C)	The opening of PMV (Electronic expansion valve) is displayed. (Refer to table C)
12	●	○	○	○	●		Gas temperature sensor (TG) display (unit A)	The detected value of the gas temperature sensor (TG) is displayed. (Refer to table C)
13	○	○	○	○	●		Gas temperature sensor (TG) display (unit B)	The detected value of the gas temperature sensor (TG) is displayed. (Refer to table C)
14	●	●	●	●	○		Gas temperature sensor (TG) display (unit C)	The detected value of the gas temperature sensor (TG) is displayed. (Refer to table C)
15	○	○	●	●	○		Indoor suction temperature sensor (TA) display (unit A)	The detected value of the indoor suction temperature sensor (TA) is displayed. (Refer to table C)
16	●	●	○	●	○		Indoor suction temperature sensor (TA) display (unit B)	The detected value of the indoor suction temperature sensor (TA) is displayed. (Refer to table C)
17	○	●	○	●	○		Indoor suction temperature sensor (TA) display (unit C)	The detected value of the indoor suction temperature sensor (TA) is displayed. (Refer to table C)
18	●	●	●	○	○		Indoor heat exchanger temperature sensor (TC/TCJ) display (unit A)	The detected value of the indoor heat exchanger temperature sensor (TC) is displayed. Only while you press the SW02, the detected value of the indoor heat exchanger temperature sensor (TCJ) is displayed. (Refer to table C)
19	○	●	●	○	○		Indoor heat exchanger temperature sensor (TC/TCJ) display (unit B)	The detected value of the indoor heat exchanger temperature sensor (TC) is displayed. Only while you press the SW02, the detected value of the indoor heat exchanger temperature sensor (TCJ) is displayed. (Refer to table C)
20	●	○	●	○	○		Indoor heat exchanger temperature sensor (TC/TCJ) display (unit C)	The detected value of the indoor heat exchanger temperature sensor (TC) is displayed. Only while you press the SW02, the detected value of the indoor heat exchanger temperature sensor (TCJ) is displayed. (Refer to table C)

- 3) Pushing SW02, the display changes to next item. To see other display contents, repeat that.
- 4) To finish LED display, be sure to execute item 1) to return LED to the initial status (error display of current occurrence) and then finish LED display.

[Error display]

The error which is occurring at present and the latest error (including error that is occurring now) can be confirmed by checking display on the outdoor control P.C. board.

A. Error display which occurs at present

○:ON (○*:3 sec ON/0.5 sec OFF)●:OFF
 ◎:Rapid Flashing(5 times/sec) ◇:Slow Flashing(1 time/sec)

Display						Indoor check code	Description
D800 (YL)	D801 (YL)	D802 (YL)	D803 (YL)	D804 (YL)	D805 (GN)		
●	●	●	●	●		-	Normal operation (no error)
○*	●	●	●	●		1C	Compressor case thermostat error
●	○*	●	●	●		21	High pressure switch error
○*	○*	●	●	●		1C	Compressor system error
●	●	○*	●	●		1D	Compressor lock
○*	●	○*	●	●		1F	Compressor breakdown
●	○*	○*	●	●		14	Driving element short circuit
○*	○*	○*	●	●		16	Position detection circuit error
●	●	●	○*	●		17	Current detection circuit error
○*	●	●	○*	●		1C	Communication error between MCU
●	○*	●	○*	●		1A	Fan system error
○*	○*	●	○*	●	○	1E	Discharge temperature error
●	●	○*	○*	●		19	Discharge temperature sensor (TD) error
1 ○	●	○*	○*	●		1B	Outdoor air temperature sensor (TO) error
●	○*	○*	○*	●		18	Suction temperature sensor (TS) error
○*	○*	○*	○*	●		18	Heat exchanger temperature sensor (TE) error
2 ●	●	●	●	○		1C	Gas pipe (unit A) temperature sensor (TGa) error
2 ○	●	●	●	○*		1C	Gas pipe (unit B) temperature sensor (TGb) error
2 ●	○	●	●	○*		1C	Gas pipe (unit C) temperature sensor (TGc) error
○*	●	○*	●	○*		-	PMV error (SH≥20)
●	○*	○*	●	○*		-	PMV error (SH≤-8)
●	●	●	○*	○*		20	PMV leakage error (unit A)
○*	●	●	○*	○*		20	PMV leakage error (unit B)
●	○*	●	○*	○*		20	PMV leakage error (unit C)
○*	●	○*	○*	○*		-	Miswiring (mispiping) check error

*1: Back-up operation is performed without error display of the indoor unit.

*2: Operated normally when the air conditioners in other rooms are driven.

B. Error display of the latest error (including error which occurs at present)

○:ON (*:3 sec ON/0.5 sec OFF)●:OFF
 ◎:Rapid Flashing(5 times/sec) ◇:Slow Flashing(1 time/sec)

Display						Indoor check code	Description
D800 (YL)	D801 (YL)	D802 (YL)	D803 (YL)	D804 (YL)	D805 (GN)		
●	●	●	●	●		-	Normal operation (no error)
◎	●	●	●	●		1C	Compressor case thermostat error
●	◎	●	●	●		21	High pressure switch error
◎	◎	●	●	●		1C	Compressor system error
●	●	◎	●	●		1D	Compressor lock
◎	●	◎	●	●		1F	Compressor breakdown
●	◎	◎	●	●		14	Driving element short circuit
◎	◎	◎	●	●		16	Position detection circuit error
●	●	●	◎	●		17	Current detection circuit error
◎	●	●	◎	●		1C	Communication error between MCU
●	◎	●	◎	●		1A	Fan system error
◎	◎	●	◎	●	◇	1E	Discharge temperature error
●	●	◎	◎	●		19	Discharge temperature sensor (TD) error
◎	●	◎	◎	●		1B	Outdoor air temperature sensor (TO) error
●	◎	◎	◎	●		18	Suction temperature sensor (TS) error
◎	◎	◎	◎	●		18	Heat exchanger temperature sensor (TE) error
●	●	●	●	◎		1C	Gas pipe (unit A) temperature sensor (TGa) error
◎	●	●	●	◎		1C	Gas pipe (unit B) temperature sensor (TGb) error
●	◎	●	●	◎		1C	Gas pipe (unit C) temperature sensor (TGc) error
◎	●	◎	●	◎		-	PMV error (SH≥20)
●	◎	◎	●	◎		-	PMV error (SH≤-8)
●	●	●	◎	◎		20	PMV leakage error (unit A)
◎	●	●	◎	◎		20	PMV leakage error (unit B)
●	◎	●	◎	◎		20	PMV leakage error (unit C)
◎	●	◎	◎	◎		-	Miswiring (mispiping) check error

C. Sensor, current, compressor operation frequency, PMV opening, Miswiring (mispiping) check display

Using the service display function, you can check a variety of information.

○:ON (○*:3 sec ON/0.5 sec OFF)●:OFF

◎:Rapid Flashing(5 times/sec)◇:Slow Flashing(1 time/sec)

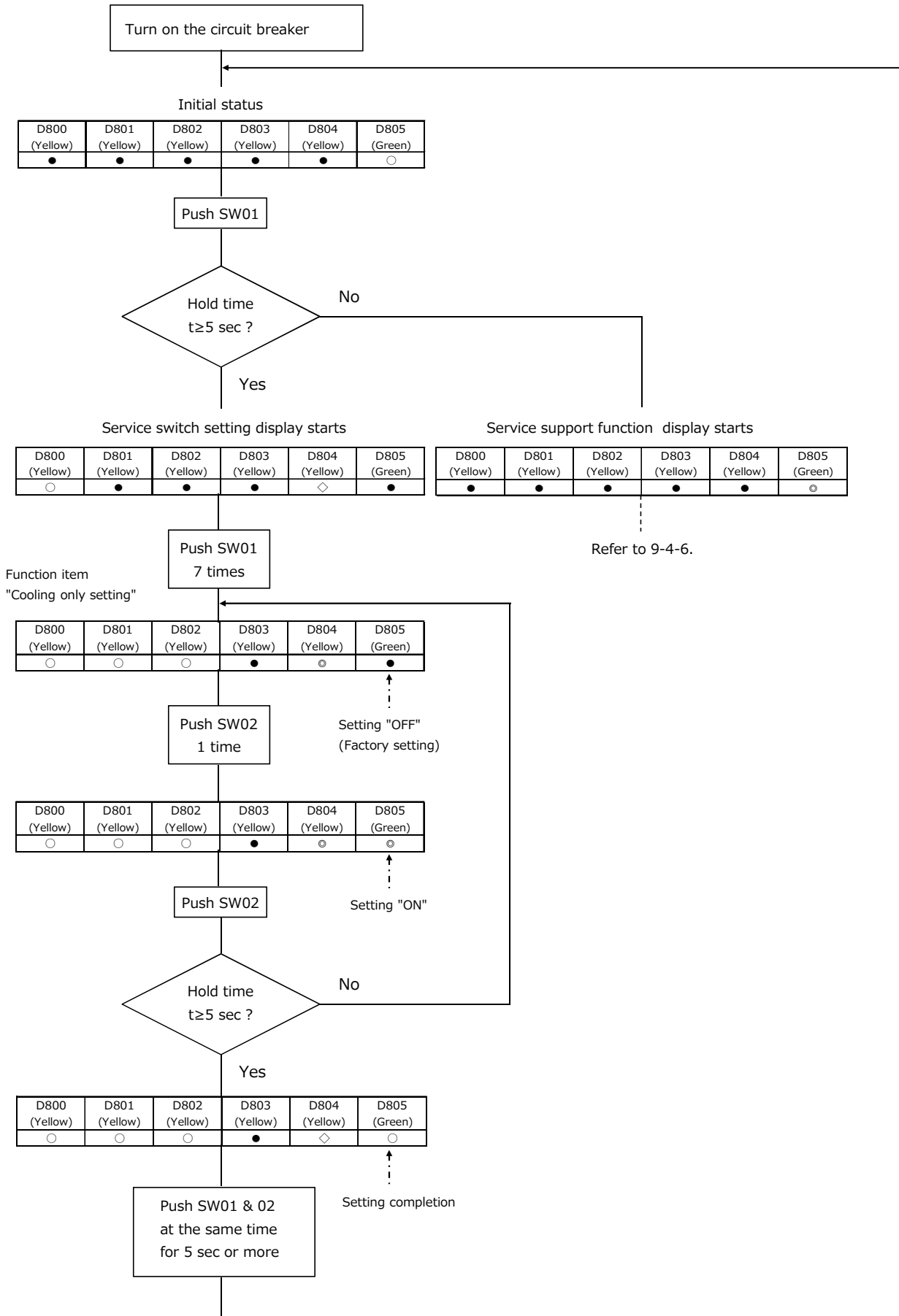
No.	display					D805 (GN)	Contents				
	D800 (YL)	D801 (YL)	D802 (YL)	D803 (YL)	D804 (YL)		Temp. sensor (°C)	Current (A)	Compressor frequency (rps)	PMV opening (pls)	Miswiring (mispiping) check
0	●	●	●	●	●		-26 or less	0~0.9	0~4.9	0~19	No error
1	○	●	●	●	●		-25~-21	1~1.9	5~9.9	20~39	Trouble in unit A
2	●	○	●	●	●		-20~-16	2~2.9	10~14.9	40~59	Trouble in unit B
3	○	○	●	●	●		-15~-11	3~3.9	15~19.9	60~79	Trouble in unit A and B
4	●	●	○	●	●		-10~-6	4~4.9	20~24.9	80~99	Trouble in unit C
5	○	●	○	●	●		-5~-1	5~5.9	25~29.9	100~119	Trouble in unit A and C
6	●	○	○	●	●		0~4	6~6.9	30~34.9	120~139	Trouble in unit B and C
7	○	○	○	●	●		5~9	7~7.9	35~39.9	140~159	Trouble in unit A,B and C
8	●	●	●	○	●		10~14	8~8.9	40~44.9	160~179	-
9	○	●	●	○	●		15~19	9~9.9	45~49.9	180~199	-
10	●	○	●	○	●		20~24	10~10.9	50~54.9	200~219	-
11	○	○	●	○	●		25~29	11~11.9	55~59.9	220~239	-
12	●	●	○	○	●		30~34	12~12.9	60~64.9	240~259	-
13	○	●	○	○	●		35~39	13~13.9	65~69.9	260~279	-
14	●	○	○	○	●		40~44	14~14.9	70~74.9	280~299	-
15	○	○	○	○	●	◇	45~49	15~15.9	75~79.9	300~319	-
16	●	●	●	●	○		50~54	16~16.9	80~84.9	320~339	-
17	○	●	●	●	○		55~59	17~17.9	85~89.9	340~359	-
18	●	○	●	●	○		60~64	18~18.9	90~94.9	360~379	-
19	○	○	●	●	○		65~69	19~19.9	95~99.9	380~399	-
20	●	●	○	●	○		70~74	20~20.9	100~104.9	400~419	-
21	○	●	○	●	○		75~79	21~21.9	105~109.9	420~439	-
22	●	○	○	●	○		80~84	22~22.9	110~114.9	440~459	-
23	○	○	○	●	○		85~89	23~23.9	115~119.9	460~479	-
24	●	●	●	○	○		90~94	24~24.9	120~124.9	480~499	-
25	○	●	●	○	○		95~99	25~25.9	125~129.9	500	-
26	●	○	●	○	○		100~104	26~26.9	130~134.9	-	-
27	○	○	●	○	○		105~109	27~27.9	135~139.9	-	-
28	●	●	○	○	○		110~114	28~28.9	140~144.9	-	-
29	○	●	○	○	○		115~119	29~29.9	145~149.9	-	-
30	●	○	○	○	○		120 or more	30~30.9	150~154.9	-	-
31	○	○	○	○	○		Sensor error	31 or more	155~ or more	-	-

(Note 1) Basically carry out the service switch settings while the machine stops. If carry out during the operation, the pressure may change suddenly and a danger may grow.

9-4-5. How to set the SERVICE SWITCH SETTING.

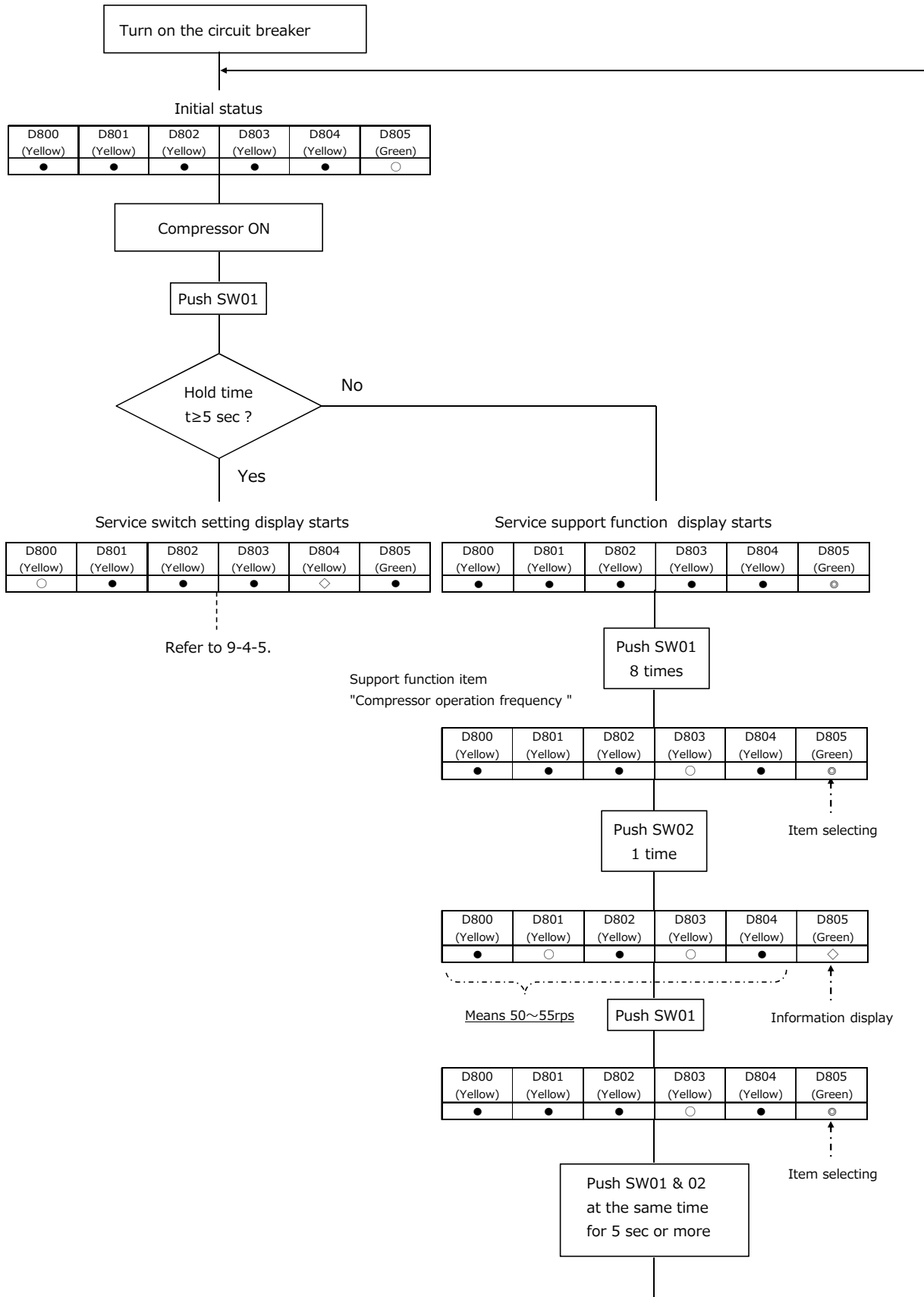
If you want to set the "COOLING ONLY SETTING OFF ⇒ ON" .

○:ON, ●:OFF, ⊙:Rapid Flashing(5 times/sec), ◇:Slow Flashing(1 time/sec)



9-4-6. How to set the SERVICE SUPPORT FUNCTION.
 If you want to check the "COMPRESSOR FREQUENCY" .

○:ON, ●:OFF, ◎:Rapid Flashing(5 times/sec), ◇:Slow Flashing(1 time/sec)



%"Á-BGH5 @@SHCB`DFC798I F9








%"!%" -bghU`Ujcb#GYfj]Wjb[Hcc`g

7\ Ub[Yg]b`h YdfcXi WiUbX`Wta dcbYbrg

QÁ@Á&æ^Á-ÁæÁ&áÁ } áãá } ^!Á•á * ÁÜHG&Á Á!á^!Á Á!^ç^ } óæ ^ Á @!Á^+á^!æ } óÁ[{ Á^á * Á&æ * ^áÁ
æ&á^ } çá^ Á@Á!ç&Á Á! [!óáæ ^ç!Á-Á@Á ^ çá[!Á] á& } d[!Áç^Á&æÁ^ } Á&æ * ^áÁ Á&æÁ^ Á&æÁ
@^áá•Á!Á& @

• QÁ!á^!Á Á& Á^æ^Á@Á!^••!^Á^•áç * Áç^ } çá^ Á@Á^+á^!æ } óÁá * Á&æÁ! | &••á * Á&æ ^ç!Áæ áÁ
• á^Á-Á]] [• á^Áæ^Á-Áæ^Á ^ Á&æÁ^ } Á&æ * ^áÁ Á&æÁ!]] ^!Áá^•Á çá[{ áç^Á^ } •á } • Á&æ áÁ Á&æ

New tools for R32 (R410A)

New tools for R32 (R410A)	Applicable to R22 model		Changes
Gauge manifold	×		As pressure is high, it is impossible to measure by means of conventional gauge. In order to prevent any other refrigerant from being charged, each port diameter has been changed.
Charge hose	×		In order to increase pressure resisting strength, hose materials and port size have been changed (to 1/2 UNF 20 threads per inch). When purchasing a charge hose, be sure to confirm the port size.
Electronic balance for refrigerant charging	○		As pressure is high and gasification speed is fast, it is difficult to read the indicated value by means of charging cylinder, as air bubbles occur.
Torque wrench (nominal diam. 1/2, 5/8)	×		The size of opposite sides of flare nuts have been increased. Incidentally, a common wrench is used for nominal diameters 1/4 and 3/8.
Flare tool (clutch type)	○		By increasing the clamp bar's receiving hole, strength of spring in the tool has been improved.
Gauge for projection adjustment	—	—	Used when flare is made by using conventional flare tool.
Vacuum pump adapter	○		Connected to conventional vacuum pump. It is necessary to use an adapter to prevent vacuum pump oil from flowing back to the charge hose. The charge hose connecting part has two ports-one for conventional refrigerant (7/16 UNF 20 threads per inch) and one for R32 (R410A). If the vacuum pump oil (mineral) mixes with R32 (R410A) a sludge may occur and damage the equipment.
Gas leakage detector	×		Exclusive for HFC refrigerant.


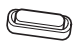




- Incidentally, the “refrigerant cylinder” comes with the refrigerant designation R32 (R410A) and protector coating in the U. S.’s ARI specified rose color (ARI color code: PMS 507).
- Also, the “charge port and packing for refrigerant cylinder” require 1/2 UNF 20 threads per inch corresponding to the charge hose’s port size.

⚠ CAUTION

- Incorrect wiring connection may cause electrical parts to burn out.
- Be sure to comply with local regulations/codes when running the wire from outdoor unit to indoor unit. (Size of wire and wiring method etc.)
- Every wire must be securely connected.
- If incorrect or incomplete wiring is carried out, fire or smoke may result.
- Prepare the power supply for the exclusive use of the air conditioner.

10-2. Outdoor Unit

10-2-1. Accessory and Installation Parts

Installation manual	1		Rubber cap (Water-proof)	2		CD-ROM (Installation manual) *1	1	
F-GAS label	1		Drain nipple	1		Product specification	1	

*1 Part that do not exist in RAS-2M14U2AVG-TR, RAS-2M18U2AVG-TR, RAS-3M18U2AVG-TR

10-2-2. Refrigerant Piping

- Piping kit used for the conventional refrigerant cannot be used.
- **Use copper pipe with 0.8 mm or more thickness.**
- Flare nut and flare works are also different from those of the conventional refrigerant. Take out the flare nut attached to the main unit of the air conditioner, and use it.

10-2-3. Installation Place

- A place which provides the spaces around the outdoor unit.
- A place where the operation noise and discharged air do not disturb your neighbors.
- A place which is not exposed to a strong wind.
- A place which does not block a passageway.
- When the outdoor unit is to be installed in an elevated position, be sure to secure its feet.
- There must be sufficient spaces for carrying the unit into and out of the site.
- A place where the drain water does not raise any problem.
- A place which can bear the weight of the outdoor unit and does not allow an increase in noise level and vibration.

10-2-4. Installation Parts (Local Supply)

Parts name	Parts name			Q'ty
	Indoor unit (abbreviation)	Liquid side (O.D.)	Gas side (O.D.)	
Refrigerant piping *1	07, 10, 13	6.35 mm	9.52 mm	1 ea.
	16	6.35 mm	12.7 mm	
	Putty, PVC tapes			

*1 Refrigerant piping covered with insulating material (Polyethylene form, 6 mm thick).

When duct-type or cassette-type unit is to be installed, it shall be covered with thicker insulating material (Polyethylene form, 10 mm thick).

* Example of indoor unit class: RAS-B10PKVSG-E is abbreviated as "10".

Indoor unit class	Standard connecting pipe diameter		
	2M14	2M18	3M18
Unit C	07 or 10 or 13	—	6.35, 9.52 mm
Unit B	07 or 10 or 13 or 16	6.35, 9.52 mm	6.35, 9.52 mm ³
Unit A	07 or 10 or 13 or 16	6.35, 9.52 mm	6.35, 9.52 mm ³
Total	26 (2M14)	—	
	32 (2M18)		
	36 (3M18)		

All combinations that do not exceed the "Total" number can be installed.

2 or more indoor units must be connected to an outdoor unit.

When 2 indoor units are connected to an outdoor unit, note that some combinations of indoor units are not compatible.

For the further details, refer to the catalogue.

*2 Need the reducer (07, 10, 13 class 12.7 to 9.52 mm).

*3 Need the expander (16 class 9.52 to 12.7 mm).

- Locally procured.

10-2-5. Installation

■ Installation Location

- A place which can bear the weight of the outdoor unit and does not cause an increase in noise level and vibration.
- A place where the operation noise and air discharge do not disturb neighbours.
- A place which is not exposed to strong wind.
- A place free of combustible gas.
- A place which does not block a passageway.
- A place where the drain water does not cause any problems.
- A place where there are no obstructions near its air intake or air discharge.

Installation in the following places may result in trouble:

- A place with a lot of machine oil.
 - A place with saline-rich atmosphere such as a coastal area.
 - A place with high level of sulfide gas.
 - A place where high-frequency waves are likely to be generated, such as from audio equipment, welders, or medical equipment.
- Do not install the unit in such places.

⚠ CAUTION

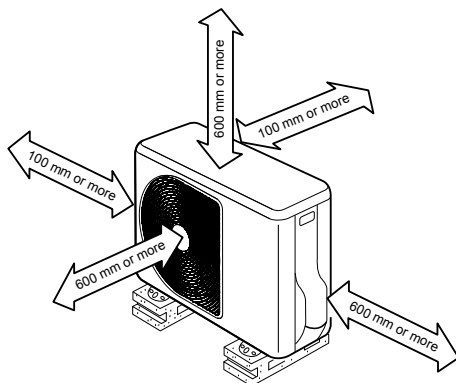
When the outdoor unit is installed in a place where the drain water might cause any problems, Seal the water leakage point tightly using a silicone adhesive or caulking compound.

■ Precautions for Installation

- When the outdoor unit is to be installed in an elevated position, be sure to secure its feet.
- If the outdoor unit is to be mounted on a wall, make sure the base plate supporting it is sturdy enough.
- The base plate should be designed and manufactured to maintain its strength over a long period of time, and sufficient consideration should be given to ensure that the outdoor unit will not fall.
- When the outdoor unit is installed in a place that is always exposed to strong wind such as a coastal area or on a high story of a building, secure the normal fan operation using a duct or a wind shield.
- Especially in windy areas, install the unit in such a way as to prevent the admission of wind.
- When the outdoor unit is to be mounted high on a wall, take particular care to ensure that parts do not fall, and that the installer is protected.
- When doing installation work at ground level, it is usual to make wiring and pipe connections to the indoor units first, and then to make connections to the outdoor units.
However, if outdoor work is difficult, you can change the procedure. For example, by making adjustments to the wiring and piping lengths on the inside (rather than the outside).
- When using an air conditioner under low outdoor temperature conditions (Outside temp: -5 °C or lower) In COOL mode, prepare a duct or wind shield so that it is not affected by the wind.

Necessary Space for Installation

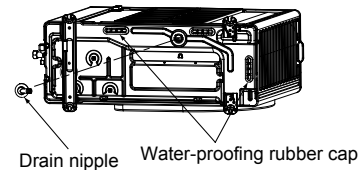
If you need to install the outdoor unit in a location where there are some obstructions or a wall, secure sufficient space as shown in the figure below. The cooling/heating effect may be reduced by 10%.



Draining Off the Water from the Outdoor Unit

Install 2 waterproof rubber caps and the drain nipple to drain off the water from the outdoor unit.

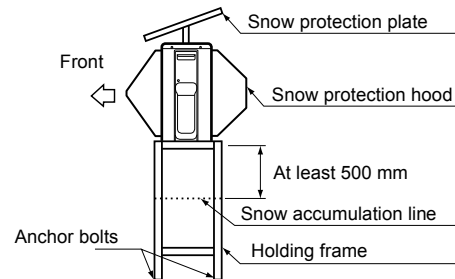
- Seal the knock-out holes and screw/thread areas tightly using a silicon adhesive or a caulking compound.
- Use a drain pan to apply a centralized drain.



Installation in Regions with Snowfall and Cold Temperatures

Do not use waterproof rubber caps or a drain nipple.

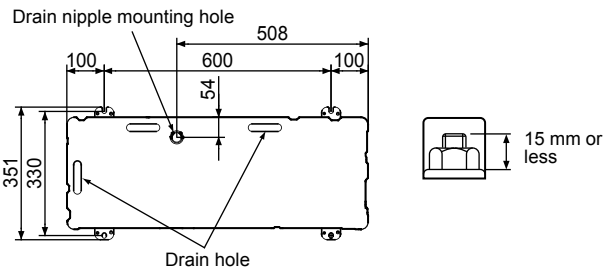
- If you need to install the outdoor unit in a location where there is a possibility of the drain freezing, pay close attention so that the drain does not become frozen.
- To protect the outdoor unit from snow, install the outdoor unit on a holding frame, and attach a snow protection hood and plate.
- Keep the outdoor unit at least 500 mm above the snow accumulation line.



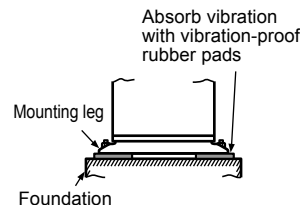
Fixing the Outdoor Unit

Fix the outdoor unit using attachment bolts.

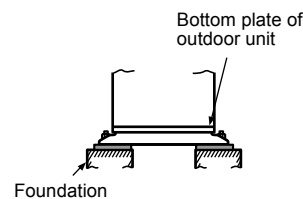
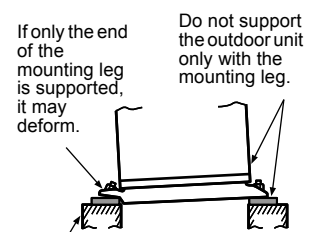
- Use 8 mm or 10 mm anchor bolts and nuts.
- Do not allow the attachment bolts to protrude by more than 15 mm.
- Install the outdoor unit at ground level.
- Attach the vibration-proof rubber pads under the fixing legs.



GOOD



BAD



Support the bottom surface of the mounting leg that is in contact with and underneath the bottom plate of the outdoor unit.

◆ Refrigerant piping

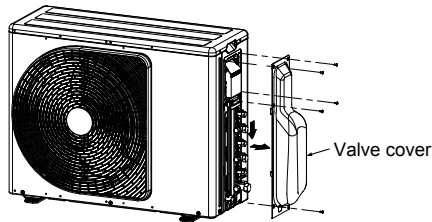
⚠ CAUTION

Install in rooms that are 5 m³ or larger. If a leak of refrigerant gas occurs inside the room, an oxygen deficiency may occur.

■ Detaching the Valve cover

Remove the 5 screws.

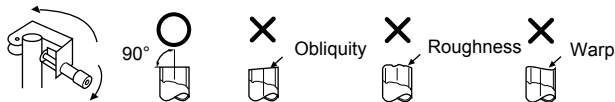
- Pull the valve cover in the direction of the arrow, and remove it.



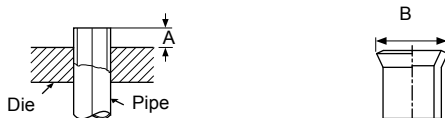
■ Refrigerant Piping Connection

Flaring

1. Cut the pipe with a pipe cutter.



2. Remove the burr inside of the pipe.
When removing the burr, be careful so that chips do not fall into the pipe.
3. Remove the flare nuts attached to the outdoor/indoor unit, then insert them into each of the pipes.
4. Flare the pipes.
See the following table for the projection margin (A) and flaring size (B).



Pipe		A		B	Flare Nut		
Outside diameter	Thickness	Rigid (clutch type) R32 tool	Imperial (wing nut type) R32 tool		Width across flat	Tighten torque	
mm	mm	mm	mm	mm	mm	N•m	kgf•m
6.35	0.8	0 to 0.5	1.5 to 2.0	9.1	17	14 to 18	1.4 to 1.8
9.52	0.8	0 to 0.5	1.5 to 2.0	13.2	22	33 to 42	3.3 to 4.2
12.7	0.8	0 to 0.5	2.0 to 2.5	16.6	26	50 to 62	5.0 to 6.2

⚠ CAUTION

- Do not scratch the inner surface of the flared part when removing burrs.
- Flare processing under the condition of scratches on the inner surface of flare processing part will cause refrigerant gas leak.

Pipe connection

1. Make wire and pipe connections for each indoor unit separately.
2. Align the centres of the connecting pipes and tighten the flare nut as much as possible with your fingers, then tighten the nut using a torque wrench. Be sure to tighten the nut at the specified torque value.
 - If you use one outdoor unit for several indoor units of a different class, connect the largest one first A, then connect the rest in the order B to C.
 - Do not remove the flare nuts for any ports you are not going to use for connection.
 - Do not leave the flare nut unattached for a long period of time.
 - Use a different-diameter joint if the diameters of the connection port and connection piping are different.
 - Mount the different-diameter joint on the connection port of the outdoor unit.

⚠ CAUTION

• KEEP IMPORTANT 6 POINTS FOR PIPING WORK.

- (1) Take away dust and moisture (inside of the connecting pipes).
- (2) Tighten the connections (between pipes and unit).
- (3) Evacuate the air in the connecting pipes using a VACUUM PUMP.
- (4) Check gas leak (connected points).
- (5) Be sure to fully open the packed valves before operation.
- (6) Reusable mechanical connectors and flared joints are not allowed indoors. When mechanical connectors are reused indoors, sealing parts shall be renewed. When flared joints are reused indoors, the flare part shall be refabricated.

■ Air Purge

From the sake of environmental protection, use a vacuum pump to extract the air during installation.

* Prepare a 4 mm hexagon wrench.

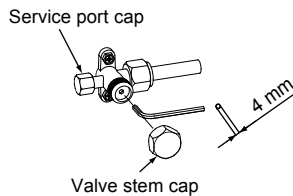
1. Connect a charge hose.
 - Make sure that the Handle Hi of the gauge manifold valve is closed fully.
 - Connect the port of the gauge manifold valve and the service port (Valve core (Setting Pin)) using the charge hose.

NOTE

If a control valve or charge valve is attached to the charge hose, leak of R32 refrigerant can be avoided.

2. Open the Handle Low of the gauge manifold valve fully, then operate the vacuum pump.
 - Loosen the flare nut of the at the gas end a little to make sure that air is taken in, then tighten the nut.
 - If you find air is not taken in, make sure that the charge hose is connected to the port(s) securely.
 - Perform extraction for about 15 or more minutes and make sure that the compound pressure gauge reading is -101 kPa (-76 cmHg).
 - If the compound pressure gauge reading is not -101 kPa (-76 cmHg), there is a possibility air is being taken in from the port(s).
 - Make sure that the charge hose is connected to the port(s) securely.
3. Close the Handle Low of the gauge manifold valve fully, then stop operating the vacuum pump.
 - Leave the gauge and pump as they are for 1 or 2 minutes, then make sure that the compound pressure gauge reading stays at -101 kPa (-76 cmHg).
 - You need not add refrigerant.
4. Disconnect the charge hose from the service port, then open the valve stem fully using a 4 mm hexagon wrench.

Hexagon wrench is required.



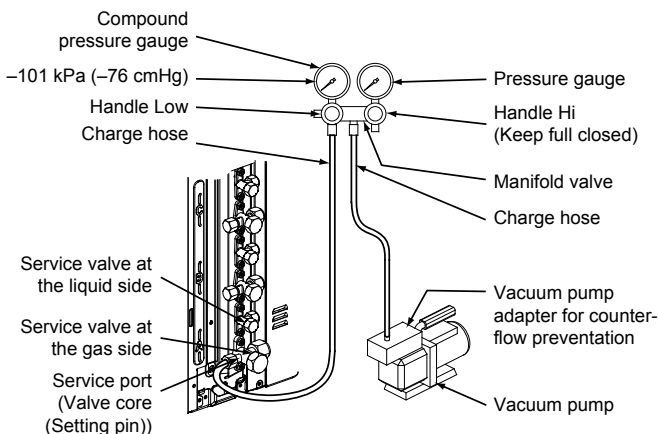
5. Tighten the service valve stem cap and service port cap securely.

⚠ CAUTION

Use a torque wrench and tighten the nut at the specified torque value.

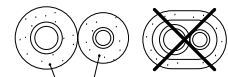
6. Tighten all the caps on the valves securely, then perform a gas leak inspection.

Service valve		Tighten torque			
		Valve stem cap		Service port cap	
Type	mm	N•m	kgf•m	N•m	kgf•m
Liquid side	6.35	14 to 18	1.4 to 1.8	—	—
Gas side	9.52	14 to 18	1.4 to 1.8	14 to 18	1.4 to 1.8
	12.7	33 to 42	3.3 to 4.2	14 to 18	1.4 to 1.8



■ Insulation of the Refrigerant Pipes

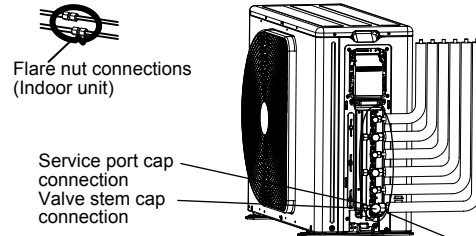
- Insulate the refrigerant pipes for liquid and gas separately.



Heat-proof bubble polyethylene

■ Gas Leak Inspection

- Perform a gas leak inspection for the flarenutconnections, valve stem connection, and service port cap without fail.
- Use a leak detector exclusively manufactured for R32.



* Check point example (RAS-3M18U2AVG-E) Flare nut connections (Outdoor unit)

■ Performing Additional Installation of an Indoor Unit

1. Collect refrigerant from the outdoor unit.
2. Turn off the circuit breaker.
3. Perform additional installation referring to the procedure from "Refrigerant Piping Connection" on the previous page.

Electrical work

⚠ WARNING

- Be sure to comply with local regulations/ codes when running the wire from the outdoor unit to the indoor unit. (Size of wire and wiring method etc.)
- A lack of electrical capacitance or incorrect wiring may cause an electric shock or a fire.
- To make sure that the wiring connection are secure, use designated cables.
- Fix the cables securely so that no external force applied to the cables may effect the terminals.
- If wiring connections are incomplete or cables are not fixed securely, it may cause a fire.
- Be sure to ground the outdoor unit.
- Incomplete grounding may lead to an electric shock.

CAUTION

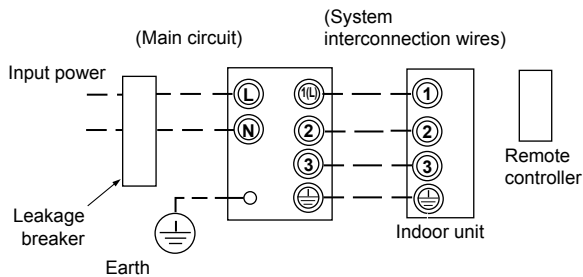
- Incorrect/incomplete wiring will cause electrical fires or smoke.
- Prepare the power source for exclusive use with the air conditioner.
- This product can be connected to the main power.

Fixed wire connections:

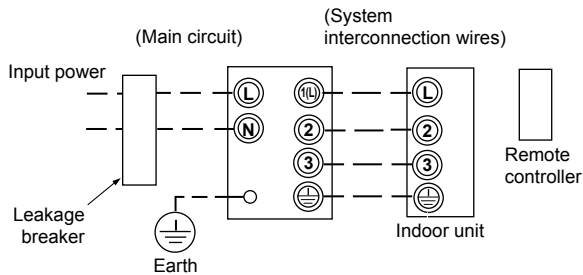
A switch that disconnects all poles and has a contact separation of at least 3 mm must be incorporated into the fixed wiring.

Wire Connection

- The dash lines show on-site wiring.
- For indoor unit RAS-M series.**



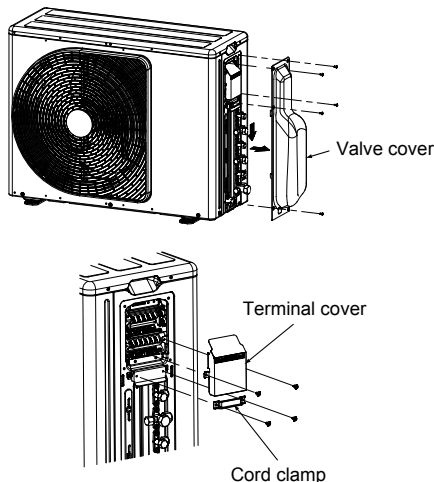
For indoor unit RAS-B series.



- Connect the indoor/outdoor connecting cables to the identical terminal numbers on the terminal block of each unit.
- Incorrect connection may cause a failure.

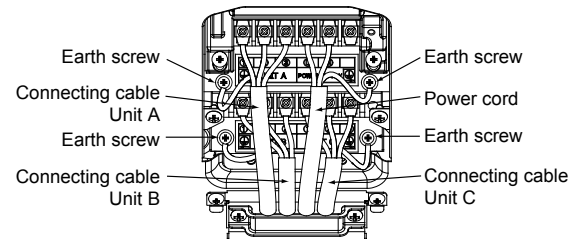
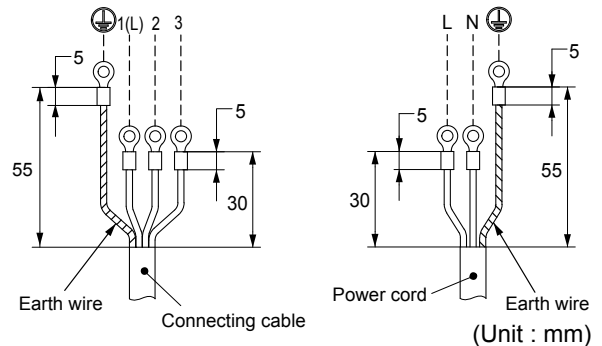
Power supply	1ph, 50Hz, 220-240V
Maximum running current	12.6 A (for 2M14, 2M18), 13.1 A (for 3M18)
Installation fuse rating	15 A (All types can be used)
Power cord	H07RN-F or 60245 IEC 66 3-core 1.5 mm ² or more
Connecting cable	H07RN-F or 60245 IEC 66 4-core 1.0 mm ² or more

1. Remove the valve cover screws.
2. Pull the valve cover in the direction of arrow, and remove it.
3. Remove the cord clamp and the terminal cover.



4. Connect the wires for the power source and each indoor unit.
 - Connect the connecting cable to the terminal as identified by the matching numbers on the terminal block of the indoor and the outdoor unit.
5. Fix the wiring connections for the power source and each indoor unit securely using a cord clamp.
6. Attach the terminal cover and the valve cover.

Stripping Length of connecting cable for outdoor unit



Grounding

This air conditioner must be grounded without fail.

- Grounding is necessary not only to safeguard against the possibility of receiving an electric shock but also to absorb both static, which is generated by high frequencies and held in the surface of the outdoor unit, and noise since the air conditioner incorporates a frequency conversion device (called an inverter) in the outdoor unit.
- If the air conditioner is not grounded, users may receive an electric shock if they touch the surface of the outdoor unit and that unit is charged with static.

Test run

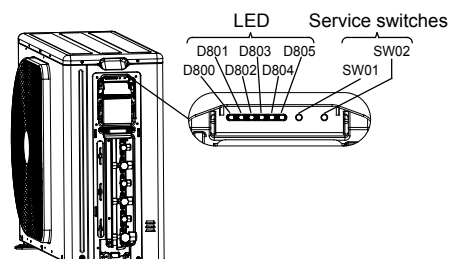
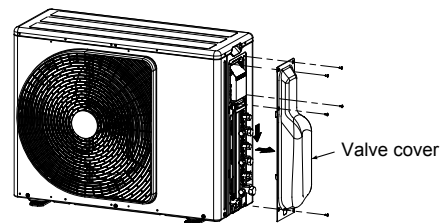
Wiring/Piping Check

CAUTION



Electric current is applied on the control board. Beware of electric shock.

1. Remove the valve cover screws.
2. Pull the valve cover in the direction of arrow, and remove it.



3. Turn on the circuit breaker to supply electricity.
In the initial LED display status, D805 is lighted as below.

○ : ON, ● : OFF, ⊙ : Rapid Flashing (5 times/sec.),
◇ : Slow Flashing (1 time/sec.)

D800	D801	D802	D803	D804	D805
●	●	●	●	●	○

Start running all the indoor units connected to the outdoor unit in the cooling mode.
(The indoor unit in the room that doesn't operate the cooling mode cannot be checked.)

4. After 5 minutes, hold down SW01 for at least 5 seconds, and check that D800 is lighted and D804 light is flashing (1 time/sec.).

D800	D801	D802	D803	D804	D805
○	●	●	●	◇	●

5. Press the SW01 4 times until the LED is displayed as below.

D800	D801	D802	D803	D804	D805
●	●	○	●	⊙	●

6. Press SW02 for 1 times. Then D805 light is flashing (5 times/sec.).

D800	D801	D802	D803	D804	D805
●	●	○	●	⊙	⊙

7. Hold down SW02 for at least 5 seconds. Then the wiring/piping check starts automatically. (The LED display is lighted for a moment.)

D800	D801	D802	D803	D804	D805
●	●	○	●	◇	○

- If no problems are detected, the checking operation returns to the normal operation automatically. The LED is displayed as below.

D800	D801	D802	D803	D804	D805
●	●	●	●	●	○

8. The below is displayed when the error is detected.
(* Repetition of 3 sec ON / 0.5 sec OFF)

D800	D801	D802	D803	D804	D805
○*	○*	○*	○*	○*	○

Press the SW01 3 times until the LED is displayed as below, to check the room judged as error.

D800	D801	D802	D803	D804	D805
●	○	●	●	●	⊙

Incorrect wiring/piping can be checked by pressing SW02. The Led is displayed as below. Turn off the circuit breaker, then check wiring/piping again.

Check result						Description
D800	D801	D802	D803	D804	D805	
●	●	●	●	●	◇	Normal operation (no error)
○	●	●	●	●	◇	Trouble in unit A
●	○	●	●	●	◇	Trouble in unit B
●	●	○	●	●	◇	Trouble in unit C
○	○	●	●	●	◇	Trouble in unit A and B
○	●	○	●	●	◇	Trouble in unit A and C
●	○	○	●	●	◇	Trouble in unit B and C
○	○	○	●	●	◇	Trouble in unit A, B and C

- The D800 LED represents unit A.
- The D801 LED represents unit B.
- The D802 LED represents unit C.

9. When you want to start over the operation of the SW01 and SW02, press the SW01 and the SW02 at the same time for 5 sec. (The procedure will set back to step 3.) However, do not execute the operation during the check. If by any chance the check is stopped by the operation, start over the check after turning off the power once.

10. Notes

- It sometimes takes about 30 minutes maximum for the check.
- During the check, the compressor and the fan of the outdoor/indoor unit repeat ON/OFF.
- You cannot check wiring/piping when the external temperature is 5°C or less. Also, there is a possibility to misjudge if the indoor temperature becomes too low by cooling operation. In that case, execute the cooling operation for per room and check if the connection is normal.

■ Gas Leak Inspection

Refer to the "■ Gas Leak Inspection".

■ Test run

- If you perform the test run in summer, start running in the cooling mode first to decrease the temperature of the room, then run in the heating mode. (Heating mode: Set the temperature to 30°C.)
 - If you perform the test run in winter, start running in the heating mode first to increase the temperature of the room, then run in the cooling mode. (Cooling mode: Set the temperature to 17°C.)
- For the test run, be sure to satisfy the following conditions below:
 - Perform the test run for each indoor unit respectively.
 - Perform the test run for about 10 minutes in both the cooling mode and the heating mode.
 - You can perform the test run in the cooling/heating mode by utilizing the thermo sensor of the indoor unit.
 - Cooling mode: Warm the thermo sensor using an appliance such as a hair dryer.
 - Heating mode: Put a cold towel on the thermo sensor.

■ Instructions for the Customers

- Explain to the customers the proper operation procedure and let them operate the air conditioner along with the supplied instruction manual.
- When multiple indoor units are connected to the outdoor unit, the cooling mode and the heating mode are not available at the same time. When multiple indoor units are running at the same time, the operation mode of the unit which starts running first is applied to the other units.
- When you start running the indoor unit or change the operation mode, the unit starts running after 3 minutes. This is due to the protection function of the unit, not a malfunction.
- When the external temperature becomes low, the pre-heating of the compressor starts to protect it. Keep the circuit breaker on for use. The electricity consumption during pre-heating is about 30 W. If the circuit breaker is turned off, the indoor unit may not start running for about 10 minutes or more.
- Electronic expansion valves are used for the outdoor unit. When you turn on the power, the outdoor unit starts clattering every 1 or 2 months. This clattering is not a malfunction, but occurs when the unit is returning to the default setting for optimized control.
- While an indoor unit is running in the heating mode, the outdoor unit supplies refrigerant to the other indoor units which are not running. Therefore, noise may come from the other indoor units or the exterior of them may become warm.

◆ **Pump-down Operation**

■ **Pump-down Operation (Recovering refrigerant)**

CAUTION

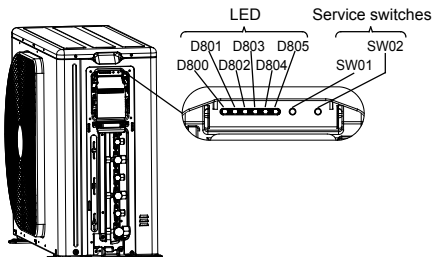
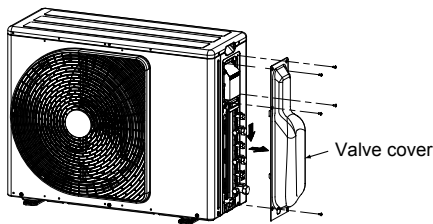
Since the forcible running for collecting refrigerant stops automatically after 10 minutes, finish collecting refrigerant within 10 minutes.

Electric current is applied on the control board. Beware of electric shock.

- **The following must be certainly done during pump down.**
 - **Do not incorporate air into the refrigeration cycle.**
 - **Close the service valves. Stop the compressor and remove the refrigerant pipe.**

If the refrigerant pipe is removed when the compressor is operating and service valves are opened, the refrigerant cycle will inhale unwanted matter such as air and the pressure in the cycle becomes abnormally elevated. It may cause a burst or injury.

1. Remove the valve cover screws.
2. Pull the valve cover in the direction of arrow, and remove it.



3. Turn on the circuit breaker to supply electricity.
In the initial LED display status, D805 is lighted as below.

○ : ON, ● : OFF, ⊗ : Rapid Flashing (5 times/sec.),
◇ : Slow Flashing (1 time/sec.)

D800	D801	D802	D803	D804	D805
●	●	●	●	●	○

Start running all the indoor units connected to the outdoor unit in the cooling mode.
The checking procedure cannot be completed if the cooling mode is not operated in every indoor units.

4. Hold down SW01 for at least 5 seconds, and check that D800 is lighted and D804 light is flashing (1 time/sec.).

D800	D801	D802	D803	D804	D805
○	●	●	●	◇	●

5. Press SW01 for 1 time. Then D804 light is flashing (5 times/sec.).

D800	D801	D802	D803	D804	D805
○	●	●	●	⊗	●

6. Press SW02 for 1 time. Then D805 light is flashing (5 times/sec.).

D800	D801	D802	D803	D804	D805
○	●	●	●	⊗	⊗

7. Hold down SW02 for at least 5 seconds. Then outdoor unit start cooling mode.
(The display is kept during the refrigerants collection operation.)

D800	D801	D802	D803	D804	D805
○	●	●	●	◇	○

8. Close the valve stem of the service valve at the liquid end.
9. Make sure that the compound pressure gauge reading is -101 kPa (-76 cmHg)
10. Close the valve stem of the service valve at the gas end.
11. The refrigerants collection operation is finished in maximum 10 minutes. After the collection is finished, promptly stop the operation of all the indoor unit.
(There are cases that the compressor restarts.)
12. When you want to start over the operation of the SW01 and SW02, press the SW01 and SW02 at the same time for 5 sec. (It back to the initial condition of 3.)
However, do not execute the operation during the refrigerants collection. If by any chance the collection is stopped by the operation, start over the refrigerants collection operation.

11. HOW TO DIAGNOSE THE TROUBLE

The pulse modulating circuits are mounted to both indoor and outdoor units.

Therefore, diagnose troubles according to the trouble diagnosis procedure as described below.

(Refer to the check points in servicing written on the wiring diagrams attached to the indoor/outdoor units.)

Table 11-1

No.	Troubleshooting Procedure	Page
1	First Confirmation	82
2	Primary Judgment	83
3	Judgment by Flashing LED of Indoor Unit	83
4	Self-Diagnosis by Remote Controller (Check Code)	84
5	Judgment of Trouble by Symptom	91
6	Trouble Diagnosis by Outdoor LED	93
7	Inspection of the Main Parts	101
8	How to Simply Judge Whether Outdoor Fan Motor is Good or Bad	102

NOTE

A large-capacity electrolytic capacitor is used in the outdoor unit controller (inverter). Therefore, if the power supply is turned off, charge (charging voltage DC280V to 373V) remains and discharging takes a lot of time (for more than 5 minutes). After turning off the power source, if touching the charging section before discharging, an electrical shock may be caused.

Discharge the electrolytic capacitor completely by using solder iron, etc.

WARNING

The electrolytic capacitor may not normally discharge according to error contents and the voltage may remain. Therefore, be sure to discharge the capacitor.

WARNING

For discharging, never use a screwdriver and others for short-circuiting between + and - electrodes, As the electrolytic capacitor is one with a large capacity, it is very dangerous because a large electric spark will occur.

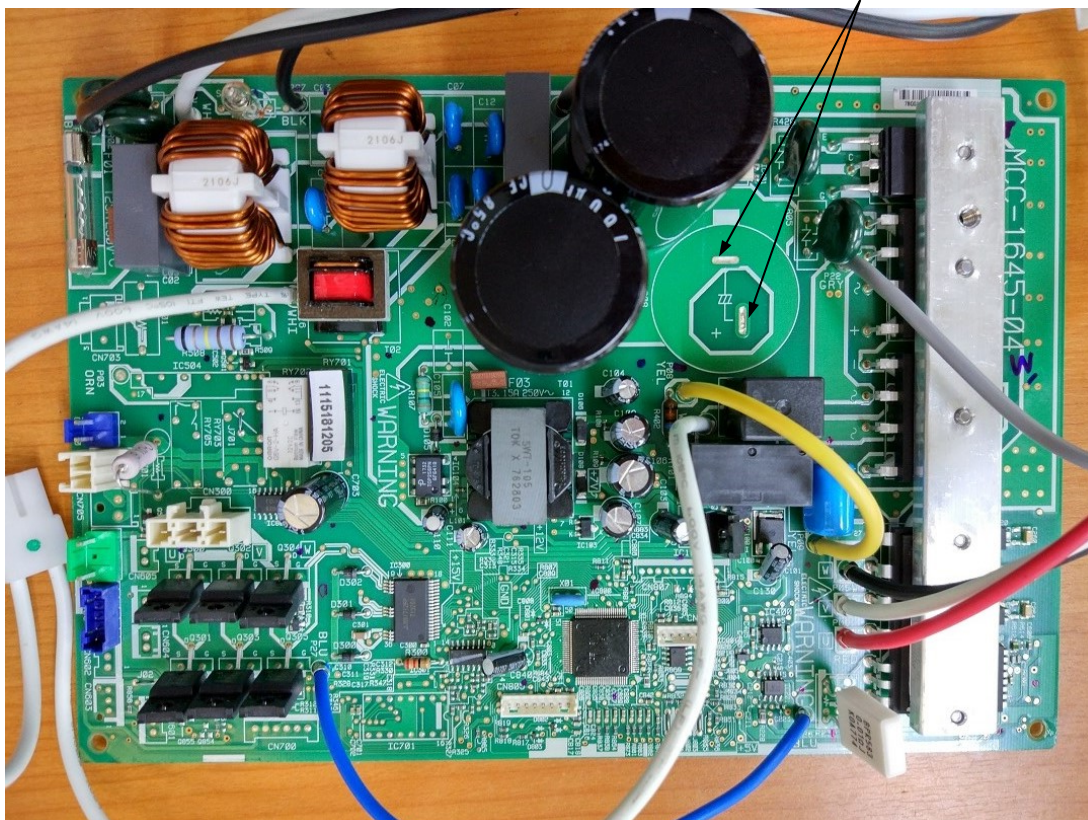
<Discharging method>

Connect the discharge resistance (approx. 100Ω/40W) or plug of the soldering iron to voltage between + and - of C08 on the main P.C. board MCC-1645, and then perform discharging.

Discharge position

+ and - of C08

(Discharging period: 10 seconds or more)



11-1. First Confirmation**11-1-1. Confirmation of Power Supply**

Confirm that the power breaker operates (ON) normally.

11-1-2. Confirmation of Power Voltage

Confirm that power voltage is AC 220–240 \pm 10%.

If power voltage is not in this range, the unit may not operate normally.

11-1-3. Operation Which is not a Trouble (Program Operation)

For controlling the air conditioner, the program operations are built in the microcomputer as described in the following table.

If a claim is made for running operation, check whether or not it meets to the contents in the following table.

When it does, we inform you that it is not trouble of equipment, but it is indispensable for controlling and maintaining of air conditioner.

Table 11-1-1

No.	Operation of air conditioner	Description
1	When power breaker is turned "ON", the operation lamp (Green) of the indoor unit flashes.	The OPERATION lamp of the indoor unit flashes when power source is turned on. If "START/STOP" button is operated once, flashing stops. (Flashes also in power failure)
2	Compressor may not operate even if the room temperature is within range of compressor-ON.	The compressor does not operate while compressor restart delay timer (3-minutes timer) operates. The same phenomenon is found after power source has been turned on because 3-minutes timer operates.
3	In DRY and SLEEP MODE, FAN (air flow) display does not change even though FAN (air flow select) button is operated.	The air flow indication is fixed to [AUTO].
4	Increasing of compressor motor speed stops approx. 30 seconds after operation started, and then compressor motor speed increases again approx. 30 seconds after.	For smooth operation of the compressor, the compressor motor speed is restricted to Max. 33 rps for 2 minutes and Max. 57 rps for 2 minutes to 4 minutes, respectively after the operation has started.
5	The set value of the remote control should be below the room temperature.	If the set value is above the room temperature, Cooling operation is not performed. And check whether battery of the remote control is consumed or not.
6	In AUTO mode, the operation mode is changed.	After selecting Cool or Heat mode, select an operation mode again if the compressor keeps stop status for 15 minutes.
7	In HEAT mode, the compressor motor speed does not increase up to the maximum speed or decreases before the temperature arrives at the set temperature.	The compressor motor speed may decrease by high-temp. release control (Release protective operation by temp.-up of the indoor heat exchanger) or current release control.
8	Cool, Dry, or Heat operation cannot be performed.	When the unit in other room operates previously in different mode, Fan Only operation is performed because of first-push priority control. (Cool operation and Dry operation can be concurrently performed.)

11-2. Primary Judgment

To diagnose the troubles, use the following methods.

- 1) Judgment by flashing LED of indoor unit
- 2) Self-diagnosis by service check remote controller
- 3) Judgment of trouble by every symptom

Firstly use the method (1) for diagnosis. Then, use the method (2) or (3) to diagnose the details of troubles.

For any trouble occurred at the outdoor unit side, detailed diagnosis is possible by 6-serial LED on the Display P.C. board.

11-3. Judgment by Flashing LED of Indoor Unit

While the indoor unit monitors the operation status of the air conditioner, if the protective circuit operates, the contents of self-diagnosis are displayed with block on the indoor unit indication section.

Table 11-3-1

	Item	Check code	Block display	Description for self-diagnosis
<div style="border: 1px solid black; padding: 5px; width: fit-content; margin-bottom: 5px;">Indoor indication lamp flashes.</div> <div style="text-align: center;">↓</div> <div style="border: 1px solid black; padding: 5px; width: fit-content; margin-bottom: 5px;">Which lamp does flash?</div> <div style="text-align: center;">↓</div> <div style="text-align: center;">→</div>	A	—	OPERATION (Green) Flashing display (1 Hz)	Power failure (when power is ON)
	B	00	OPERATION (Green) Flashing display (5 Hz)	Protective circuit operation for indoor P.C. board
	C	01	OPERATION (Green) TIMER (Orange) Flashing display (5 Hz)	Protective circuit operation for connecting cable and serial signal system
	D	02	OPERATION (Green) Flashing display (5 Hz)	Protective circuit operation for outdoor P.C. board
	E	03	OPERATION (Green) TIMER (Orange) Flashing display (5 Hz)	Protective circuit operation for others (including compressor)

NOTE

- The contents of items B and C and a part of item E are displayed when air conditioner operates.
- When item B and C, and item B and a part of item E occur concurrently, priority is given to the block of item B.
- The check codes can be confirmed on the remote controller for servicing.

11-4. Self-Diagnosis by Remote Controller (Check Code)

1. If the lamps are indicated as shown B to E in Table 11-3-1, execute the self-diagnosis by the remote controller.
2. When the remote controller is set to the service mode, the indoor controller diagnoses the operation condition and indicates the information of the self-diagnosis on the display of the remote controller with the check codes. If a fault is detected, all lamps on the indoor unit will flash at 5Hz and it will beep for 10 seconds (Beep, Beep, Beep ...). The timer lamp usually flashes (5Hz) during self-diagnosis.

11-4-1. How to Use Remote Controller in Service Mode

1 Press [CHECK] button with a tip of pencil to set the remote controller to the service mode.

- "88" is indicated on the display of the remote controller.

2 Press [ON ▲] or [OFF ▲] button

If there is no fault with a code, the indoor unit will beep once (Beep) and the display of the remote controller will change as follows :

→ 00 → 01 → 02 ... 1d → 1E → 33 →

- The TIMER indicator of the indoor unit flashes continuously. (5 times per 1 sec.)
- Check the unit with all 52 check codes (00 to 33) as shown in Table-11-4-1.
- Press [ON▼] or [OFF ▼] button to change the check code backward.

If there is a fault, the indoor unit will beep for 10 seconds (Beep, Beep, Beep...).

Note the check code on the display of the remote controller.

- 2-digits alphanumeric will be indicated on the display.
- All indicators on the indoor unit will flash. (5 times per 1 sec.)

3 Press [CLR] button. After service finish for clear service code in memory.

- "7F" is indicated on the display of the remote control.

4 Press [⏻] button to release the service mode.

- The display of the remote controller returns to as it was before service mode was engaged.

Alphanumeric characters are used for the check codes.

5 is 5.	6 is 6.
A is A.	B is B.
C is C.	D is D.

Fig. 11-4-1

11-4-2 Caution at Servicing

1. After using the service mode of remote controller finished, press the [⏻] button to reset the remote controller to normal function.
2. After finished the diagnosis by the remote controller, turn OFF power supply and turn its ON again to reset the air conditioner to normal operation. However, the check codes are not deleted from memory of the microcomputer.
3. After servicing finished, press [CLR] button of remote controller under service mode status to send code "7F" to the indoor unit. The check code stored in memory is cleared.

Table 11-4-2

Block distinction		Operation of diagnosis function				Action and Judgment
Check code	Block	Check code	Cause of operation	Air conditioner status	Display flashing error	
00	Indoor P.C. board.	01	TA sensor ; The room temperature sensor is short-Circuit or disconnection.	Operation continues.	Flashes when error is detected.	1. Check the sensor TA and connection. 2. In case of the sensor and its connection is normal, check the P.C. board.
		02	TC sensor ; The heat exchanger temperature sensor of the indoor unit is out of place, disconnection, short-circuit or migration.	Operation continues.	Flashes when error is detected.	1. Check the sensor TC and connection. 2. In case of the sensor and its connection is normal, check the P.C. board.
		11	Fan motor of the indoor unit is failure, lock-rotor, short-circuit, disconnection, etc. Or its circuit on P.C. board has problem.	All OFF	Flashes when error is detected.	1. Check the fan motor and connection. 2. In case of the motor and its connection is normal, check the P.C. board.
		12	Other trouble on the indoor P.C. board.	Depend on cause of failure.	Depend on cause of failure.	Replace P.C. board.

Block distinction		Operation of diagnosis function				Action and Judgment
Check code	Block	Check code	Cause of operation	Air conditioner status	Display flashing error	
01	Serial signal and connecting cable.	04	1) Defective wiring of the connecting cable or miss-wiring. 2) Operation signal has not send from the indoor unit when operation start. 3) Outdoor unit has not send return signal to the indoor unit when operation started. 4) Return signal from the outdoor unit is stop during operation. <ul style="list-style-type: none"> • Some protector (hardware, if exist) of the outdoor unit open circuit of signal. • Signal circuit of indoor P.C. board or outdoor P.C. board is failure in some period. 	Indoor unit operates continue. Outdoor unit stop.	Flashes when error is detected. Flashing stop and outdoor unit start to operate when the return signal from the outdoor unit is normal.	1) to 3) The outdoor unit never operate. <ul style="list-style-type: none"> • Check connecting cable and correct if defective wiring. • Check 25A fuse of inverter P.C. board. • Check 3.15A fuse of inverter P.C. board. • Check operation signal of the indoor unit by using diode. Measure voltage at terminal block of the indoor unit between No.2 and No.3 (or L2 and S) If signal is varied 15-60V continuously, replace inverter P.C. board. If signal is not varied, replace indoor P.C. board. 4) The outdoor unit abnormal stop at some time. <ul style="list-style-type: none"> • If the other check codes are found concurrently, check them together. • Check protector (hardware) such as Hi-Pressure switch, Thermal-Relay, etc. • Check refrigerant amount or any possibility case which may caused high temperature or high pressure. • Check operation signal of the indoor unit by using diode. Measure voltage at terminal block of the indoor unit between No.2 and No.3 (or L2 and S) If signal is varied 15-60V continuously, replace inverter P.C. board. If signal is not varied, replace indoor P.C. board.

Note : Operation signal of the indoor unit shall be measured in the sending period as picture below.

Sending signal of the indoor unit when have not return signal from the outdoor unit.

* Signal send only 1 minute and stop. Because of return signal from outdoor unit has not received.
 ** Signal resend again after 3 minutes stop. And the signal will send continuously.
 *** 1 minute after resending, the indoor unit display flashes error.

Block distinction		Operation of diagnosis function			Air conditioner status	Display flashing error	Action and Judgment
Check code	Block	Check code	Cause of operation				
02	Outdoor P.C. board	14	Current on inverter circuit is over limit in short time. <ul style="list-style-type: none"> • Inverter P.C. board is failure, IPM shortage, etc. • Compressor current is higher than limitation, lock rotor, etc. 	All OFF	Flashes after error is detected 8 times*.	<ol style="list-style-type: none"> 1. Remove connecting lead wire of the compressor, and operate again. 2. If outdoor fan does not operate or operate but stop after some period, replace the inverter P.C. board. 3. If outdoor fan operates normally, measure 3-Phase output of inverter P.C. board (150-270VAC) at the connecting lead wire of compressor. 4. If 3-Phase output is abnormal, replace inverter P.C.Board. 5. If 3-Phase output is normal, replace compressor. (lock rotor, etc.) 	
		15	Compressor position-detect circuit error or short-circuit between winding of compressor.	All OFF	Flashes after error is detected 8 times*.	<ol style="list-style-type: none"> 1. Remove connecting lead wire of the compressor, and operate again. 2. If outdoor fan does not operate or operation but stop after some period, replace the inverter P.C. board. 3. If outdoor fan operates normally, measure resistance of compressor winding. If circuit is shortage, replace the compressor. 	
		17	Current-detect circuit of inverter P.C. board error.	All OFF	Flashes after error is detected 4 times*.	Even if trying to operate again, all operations stop, replace inverter P.C. board.	
		18	TE sensor ; The heat exchanger temperature sensor of the outdoor unit either TS sensor ; Suction pipe temperature sensor, out of place, disconnection or shortage.	All OFF	Flashes after error is detected 4 times*.	<ol style="list-style-type: none"> 1. Check sensors TE, TS and connection. 2. In case of the sensors and its connection is normal, check the inverter P.C. board. 	
		19	TD sensor ; Discharge pipe temperature sensor is disconnection or shortage.	All OFF	Flashes after error is detected 4 times*.	<ol style="list-style-type: none"> 1. Check sensors TD and connection. 2. In case of the sensor and its connection is normal, check the inverter P.C. board. 	
		1A	Outdoor fan failure or its drive-circuit on the inverter P.C. board failure.	All OFF	Flashes after error is detected 8 times*.	<ol style="list-style-type: none"> 1. Check the motor, measure winding resistance, shortage or lock rotor. 2. Check the inverter P.C. board. 	
		1b	TO sensor ; The outdoor temperature sensor is disconnection or shortage.	Operation continues.	Record error after detected 4 times*. But does not flash display.	<ol style="list-style-type: none"> 1. Check sensors TO and connection. 2. In case of the sensor and its connection is normal, check the inverter P.C. board. 	

Block distinction		Operation of diagnosis function				Action and Judgment
Check code	Block	Check code	Cause of operation	Air conditioner status	Display flashing error	
02	Outdoor P.C. board	11	Compressor drive output error. (Relation of voltage, current and frequency is abnormal) <ul style="list-style-type: none"> • Overloading operation of compressor caused by over-charge refrigerant, P.M.V. failure, etc. • Compressor failure (High current). 	All OFF	Flashes after error is detected 8 times*.	<ol style="list-style-type: none"> 1. Check installation conditions such as packed valve opening, refrigerant amount and power supply (rate $\pm 10\%$, both of operation and non operation condition). 2. Check P.M.V. by measure the resistance of the coil and confirm its operation (sound of initial operation, etc.) 3. Observe any possibility cause which may affect operation load of compressor. 4. Operate again. If compressor operation is failure when 20 seconds passed (count time from operation starting of compressor), replace compressor.
<p>* 4 or 8 times ; When first error is detected, error is count as 1 time, then once operation is stop and re-started.</p> <p>After re-starting operation within 6 minutes, if same error is detected, error count is add (count become 2 times)</p> <p>When error count comes 4, 8, 11 or 18 times, record error to check code. But after re-starting operation, if no error is detected and air conditioner can operate more than 6 minutes, error count is cleared.</p>						
03	The others (including compressor)	07	Return signal of the outdoor unit has been sent when operation start. But after that, signal is stop some time. <ul style="list-style-type: none"> • Instantaneous power failure. • Some protector (hardware) of the outdoor unit open circuit of signal. • Signal circuit of indoor P.C. board or outdoor P.C. board is failure in some period. 	Indoor unit operates continue. Outdoor unit stop.	Flashes when error is detected. Flashing stop and outdoor unit start to operate when the return signal from the outdoor unit is normal.	<ol style="list-style-type: none"> 1. Check power supply (Rate $\pm 10\%$) 2. If the air conditioner repeat operates and stop with interval of approx. 10 to 40 minutes. <ul style="list-style-type: none"> • Check protector (hardware) such as Hi-Pressure switch, Thermal-Relay, etc. • Check refrigerant amount, packed valve opening and any possibility cause which may affect high temperature or high pressure. 3. Check operation signal of the indoor unit by using diode. Measure voltage at terminal block of the indoor unit between No.2 and No.3 (or L2 and S) If signal is varied 15-60V continuously, replace inverter P.C. board. If signal is not varied, replace indoor P.C. board.

Block distinction		Operation of diagnosis function				Action and Judgment
Check code	Block	Check code	Cause of operation	Air conditioner status	Display flashing error	
03	The others (including compressor)	1d	Compressor does not rotate. Because of missed wiring, missed phase or shortage.	All OFF	Flashes after error is detected 8 times*.	<ol style="list-style-type: none"> 1. Remove connecting lead wire of the compressor, and operate again. 2. If outdoor fan does not operate or operation but stop after some period, replace the inverter P.C. board. 3. If outdoor fan operates normally, measure 3-Phase output of inverter P.C. board (150-270VAC) at the connecting lead wire of compressor. 4. If 3-Phase output is abnormal, replace inverter P.C.Board. 5. If 3-Phase output is normal, measure resistance of compressor winding. 6. If winding is shortage, replace the compressor.
		1E	Discharge temperature exceeded 117°C.	All OFF	Flashes after error is detected 4 times*.	<ol style="list-style-type: none"> 1. Check sensors TD. 2. Check refrigerant amount. 3. Check P.M.V. by measure the resistance of the coil and confirm its operation (sound of initial operation, etc.) 4. Observe any possibility cause which may affect high temperature of compressor.
		1F	Compressor is high current though operation Hz is decreased to minimum limit. <ul style="list-style-type: none"> • Installation problem. • Instantaneous power failure. • Refrigeration cycle problem. • Compressor break down. • Compressor failure (High current).operation, etc.) 	All OFF	Flashes after error is detected 8 times*.	<ol style="list-style-type: none"> 1. Check installation conditions such as packed valve opening, refrigerant amount and power supply (rate $\pm 10\%$, both of operation and non operation condition). 2. Check P.M.V. by measure the resistance of the coil and confirm its operation (sound of initial operation, etc.) 3. Observe any possibility cause which may affect high current of compressor. 4. If 1, 2 and 3 are normal, replace compressor.

Block distinction		Operation of diagnosis function				Action and Judgment
Check code	Block	Check code	Cause of operation	Air conditioner status	Display flashing error	
03	The others (including compressor)	21	<p>Return signal of the outdoor unit has been sent when operation start. But after that, signal is stop some time.</p> <ul style="list-style-type: none"> Instantaneous power failure. Some protector (hardware) of the outdoor unit open circuit of signal. Signal circuit of indoor P.C. board or outdoor P.C. board is failure in some period. TE, TC high temperature TE for cooling operation TC for heating operation. 	Indoor unit operates continue. Outdoor unit stop.	<p>Flashes when error is detected 11 times*.</p> <p>Flashing stop and outdoor unit start to operate when the return signal from the outdoor unit is normal.</p>	<ol style="list-style-type: none"> Check power supply (Rate $\pm 10\%$) If the air conditioner repeat operate and stop with interval of approx. 10 to 40 minutes. <ul style="list-style-type: none"> Check protector (hardware) such as Hi-Pressure switch, Thermal-Relay, etc. Check refrigerant amount, packed valve opening and any possibility cause which may affect high temperature or high pressure. Check operation signal of the indoor unit by using diode. Measure voltage at terminal block of the indoor unit between No.2 and No.3 (or L2 and S) If signal is varied 15-60V continuously, replace inverter P.C. board. If signal is not varied, replace indoor P.C. board. Check and clean heat exchanger area Indoor and Outdoor unit.
<p>* 4, 8 or 11 times ; When first error is detected, error is count as 1 time, then once operation is stop and re-started.</p> <p>After re-starting operation within 6 minutes, if same error is detected, error count is add (count become 2 times)</p> <p>When error count comes 4, 8, 11 or 18 times, record error to check code. But after re-starting operation, if no error is detected and air conditioner can operate more than 6 minutes, error count is cleared.</p>						

11-5. Judgment of Trouble by Symptom

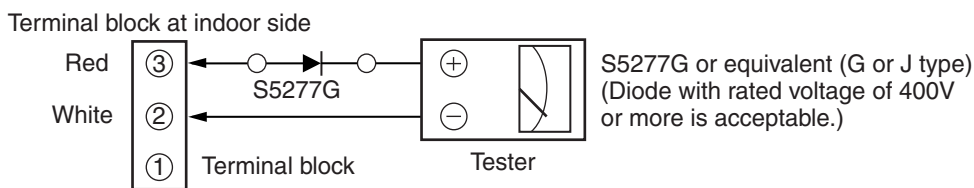
11-5-1. Wiring Failure (Interconnecting and Serial Signal Wire)

(1) Outdoor unit does not operate

- 1) Is the voltage between ② and ③ of the indoor terminal block varied?
- 2) Confirm that transmission from indoor unit to outdoor unit is correctly performed based upon the following diagram.

NOTE

- Measurement should be performed 2 minutes and 30 seconds after starting of the operation.
- Be sure to prepare a diode for judgment.



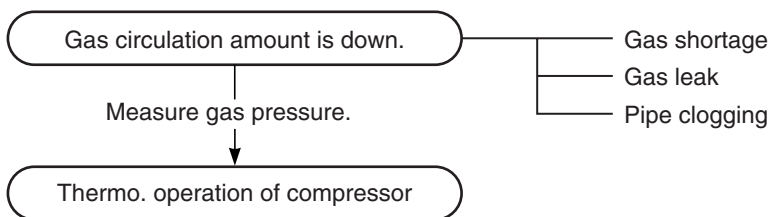
Normal time : Voltage swings between DC15 and 60V. Inverter Assembly check

Abnormal time : Voltage does not vary.

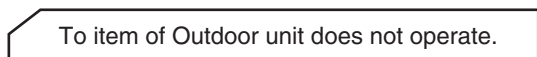
(2) Outdoor unit stops in a little while after operation started

<Check procedure> Select phenomena described below.

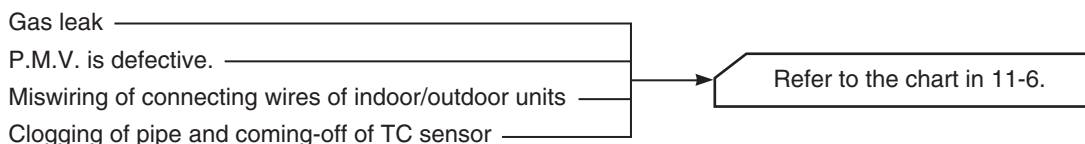
- 1) The outdoor unit stops 10 to 20 minutes after operation started, and 10 minutes or more are required to restart the unit.



- 2) If the unit stops once, it does not operate until the power will be turned on again.



- 3) The outdoor unit stops 10 minutes to 1 hour after operation started, and an alarm is displayed.
(Discharge temp. error check code 03, 1E Sensor temp. error check code 02, 1C)



Service Support Function (LED Display, Switch Operation)

1. Outline

A various setup and operation check can be performed by the pushdown button switches (SW01, 02) on the outdoor P.C. board(Display PCB).

Operation part and Display part on MCC-1646 (Display PCB)

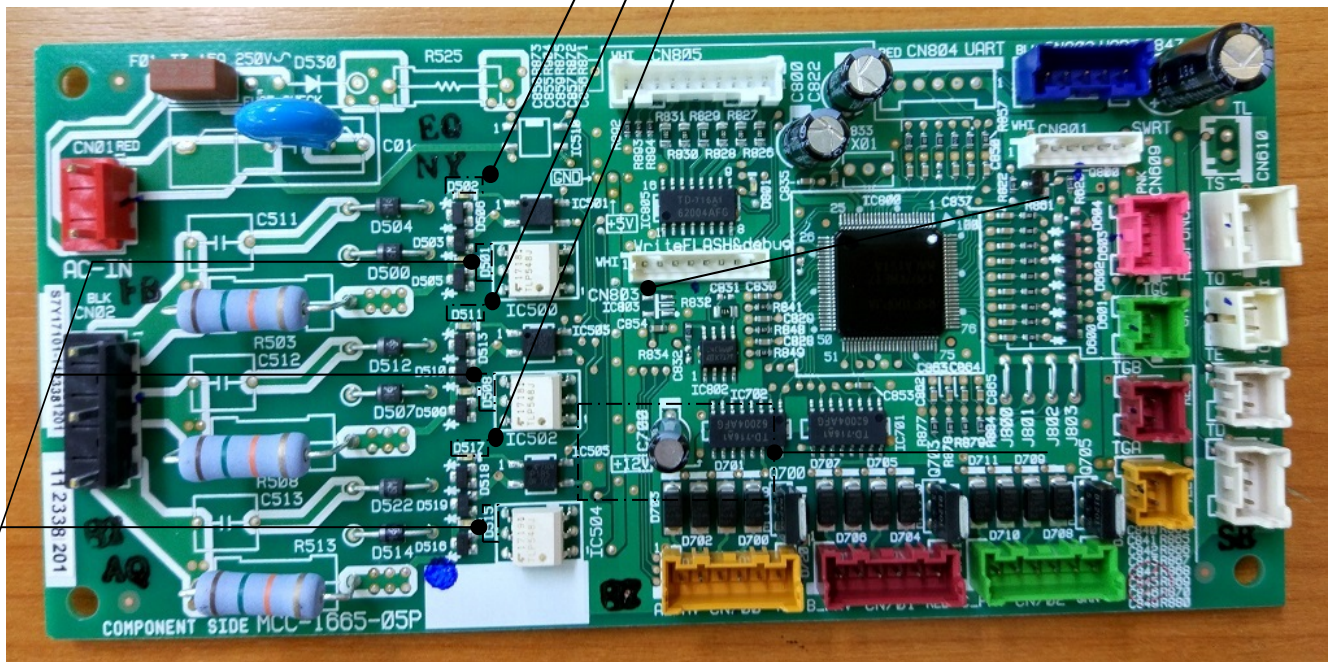
Part No.	Specifications	Operation contents
SW01, 02	Pushdown button switch	Performs the specific operation to check maintenance and various initial settings.
D805	Green LED	(1) Power-ON display When the power of the outdoor unit is turned on, D805 LED goes on.
D801 to D804	Yellow LED	(2) Error display When the outdoor controller detects some errors, some LEDs go on or flash according to the error as described in Error display table. (Refer to ---) (3) Specific operation display When SW01 or SW02 is pushed and a specific operation is operated, some LEDs go on or flash.

Display part on MCC-1665(Control PCB)

Part No.	Specifications	Operation contents
D502, D511, D517	Orange LED	Indoor/Outdoor communication (Serial communication) signal display (Receive signal from indoor signal)
D501, D508, D515	Green LED	Indoor/Outdoor communication (Serial communication) signal display (Send signal from outdoor signal)

* Every LED is colorless when it goes off.

Control P. C. B MCC-1665

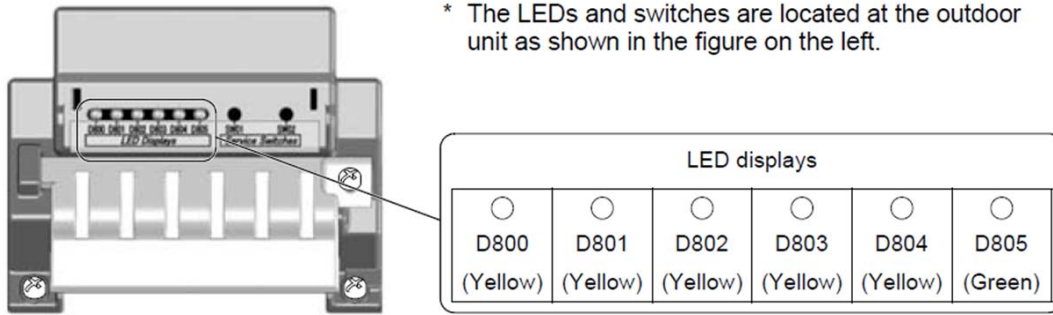


D502, D511, D517 (Orange LED)
:Serial signal (Indoor → Outdoor)

D501, D508, D515 (Green LED)
:Serial signal (Outdoor → Indoor)

11-6. Trouble Diagnosis by Outdoor LED

For the outdoor unit, the self-diagnosis is possible by LED (Green) and five LEDs (Yellow).
Green LED (D805) and Yellow LEDs (D800 to D804) are provided on the display P.C. board MCC-1646.



1. In the initial LED display status, Green LED(D805) is lighted as below.

Normal						Error occurring					
D800 (Yellow)	D801 (Yellow)	D802 (Yellow)	D803 (Yellow)	D804 (Yellow)	D805 (Green)	D800 (Yellow)	D801 (Yellow)	D802 (Yellow)	D803 (Yellow)	D804 (Yellow)	D805 (Green)
●	●	●	●	●	○	●/○*	●/○*	●/○*	●/○*	●/○*	○
○:ON ●:OFF						○:ON ○*:3 sec ON/0.5 sec OFF ●:OFF					

- If there is an error, Yellow LED are lighted according to the error as described in the below table.
- When there are two or more errors, LEDs flash cyclically.
- When D804 or D805 are flashing (rapid or slow), push and hold SW01 and SW02 simultaneously for 5 seconds or more. (Display returns to the error display.)

○:ON (○*:3 sec ON/0.5 sec OFF)●:OFF
◎:Rapid Flashing(5 times/sec) ◇:Slow Flashing(1 time/sec)

	Display					Indoor check code	Description	
	D800 (YL)	D801 (YL)	D802 (YL)	D803 (YL)	D804 (YL)			D805 (GN)
	●	●	●	●	●	-	Normal operation (no error)	
	○*	●	●	●	●	1C	Compressor case thermostat error	
	●	○*	●	●	●	21	High pressure switch error	
	○*	○*	●	●	●	1C	Compressor system error	
	●	●	○*	●	●	1D	Compressor lock	
	○*	●	○*	●	●	1F	Compressor breakdown	
	●	○*	○*	●	●	14	Driving element short circuit	
	○*	○*	○*	●	●	16	Position detection circuit error	
	●	●	●	○*	●	17	Current detection circuit error	
	○*	●	●	○*	●	1C	Communication error between MCU	
	●	○*	●	○*	●	1A	Fan system error	
	○*	○*	●	○*	●	1E	Discharge temperature error	
	●	●	○*	○*	●	○	19	Discharge temperature sensor (TD) error
1	○	●	○*	○*	●	1B	Outdoor air temperature sensor (TO) error	
	●	○*	○*	○*	●	18	Suction temperature sensor (TS) error	
	○*	○*	○*	○*	●	18	Heat exchanger temperature sensor (TE) error	
2	●	●	●	●	○	1C	Gas pipe (unit A) temperature sensor (TGa) error	
2	○	●	●	●	○*	1C	Gas pipe (unit B) temperature sensor (TGb) error	
2	●	○	●	●	○*	1C	Gas pipe (unit C) temperature sensor (TGc) error	
	○*	●	○*	●	○*	-	PMV error (SH≥20)	
	●	○*	○*	●	○*	-	PMV error (SH≤-8)	
	●	●	●	○*	○*	20	PMV leakage error (unit A)	
	○*	●	●	○*	○*	20	PMV leakage error (unit B)	
	●	○*	●	○*	○*	20	PMV leakage error (unit C)	
	○*	●	○*	○*	○*	-	Miswiring (mis piping) check error	

- *1: Back-up operation is performed without error display of the indoor unit.
*2: Operated normally when the air conditioners in other rooms are driven.

○:ON (○*:3 sec ON / 0.5 sec OFF) ●:OFF

Check code	Outdoor LED display	Check and troubleshooting (Item without special mention indicates part of outdoor unit.)
[1C]	○*●●●●○	<p>[Case thermo operation, Power supply error]</p>
[14]	●○*○*●●○	<p>[Short-circuit of compressor drive element]</p>
[16]	○*○*○*●●○	<p>[Position detection circuit error]</p> <p>Check outdoor P.C.B MCC-1645. Defect → Replace.</p>
[17]	●●●○*●○	<p>[Current detection circuit error]</p> <p>Check outdoor P.C.B MCC-1645. Defect → Replace.</p>

○:ON (○*:3 sec ON / 0.5 sec OFF) ●:OFF

Check code	Outdoor LED display	Check and troubleshooting (Item without special mention indicates part of outdoor unit.)
[18]	<p>●○*○*○*●○</p> <p>○*○*○*○*●○</p>	<p>* There is a possibility that it is one of the following errors. Confirm LED on display P.C. board (MCC-1646) to judge which error it is. Heat exchanger temp. sensor (TE) error, Suction temp. sensor (TS) error</p> <p>[Suction temp. sensor (TS) error]</p> <p>Is connection of CN603 on P.C.B MCC-1665 correct? Is resistance value of TS sensor correct?</p> <p>NO → Correct connector. Sensor error → Replace.</p> <p>YES → Check outdoor P.C.B MCC-1665 Defect → Replace.</p> <p>[Heat exchanger temp. sensor (TE) error]</p> <p>Is connection of CN601 on P.C.B MCC-1665 correct? Is resistance value of TE sensor correct?</p> <p>NO → Correct connector. Sensor error → Replace.</p> <p>YES → Check outdoor P.C.B MCC-1665 Defect → Replace.</p>
[19]	●●○*○*●○	<p>[Discharge temp. sensor (TD) error]</p> <p>Is connection of CN600 on P.C.B MCC-1665 correct? Is resistance value of TD sensor correct?</p> <p>NO → Correct connector. Sensor error → Replace.</p> <p>YES → Check outdoor P.C.B MCC-1665 Defect → Replace.</p>
[1A]	●○*●○*●○	<p>[Fan system error]</p> <p>Is AC mains voltage correct? (198 to 264V)</p> <p>NO → Check wiring construction. Ask repair of power supply.</p> <p>YES → Rotate shaft of the fan motor by hands during power-OFF, Can it rotate smoothly? Is coil resistance of fan motor correct? Between red and white lead wire :12 to 20Ω. Between white and black lead wire :12 to 20Ω. Between black and red lead wire :12 to 20Ω.</p> <p>NO → Replace fan motor.</p> <p>NO → Check outdoor P.C.B MCC-1645 Defect → Replace.</p>
[1B]	○*●○*○*●○	<p>[Outside temp. sensor (TO) error]</p> <p>Is connection of CN602 on P.C.B MCC-1665 correct? Is resistance value of TO sensor correct?</p> <p>NO → Correct connector. Sensor error → Replace.</p> <p>YES → Check outdoor P.C.B MCC-1665 Defect → Replace.</p>

○:ON (○*:3 sec ON / 0.5 sec OFF) ●:OFF

Check code	Outdoor LED display	Check and troubleshooting (Item without special mention indicates part of outdoor unit.)
[1C]	○*○*●●●○	<p>* There is a possibility that it is one of the following errors. Confirm LED on display P.C. board (MCC-1646) to judge which error it is. Compressor system error, Compressor lock, Gas side temp. sensor (TGa to TGc) error, Gas leakage, PMV error</p> <p>[Compressor system error, Compressor lock]</p> <pre> graph TD Q1{{Is AC mains voltage correct? (198 to 264V)}} -- NO --> A1[Check wiring construction. Ask repair of power supply.] Q1 -- YES --> Q2{{Is wire connection correct? Compressor lead (Board side, Compressor Side), Reactor lead, Power supply lead.}} Q2 -- NO --> A2[Check wire connection and correct it.] Q2 -- YES --> Q3{{Is compressor under correct condition?}} Q3 -- YES --> S1((1)) Q3 -- NO --> Q4{{Is there refrigerant stagnation?}} Q4 -- NO --> A3[Compressor lock -> Replace.] Q4 -- YES --> Q5{{Does PMV correctly operate?}} Q5 -- NO --> A4[Check TE, TS sensor and PMV. Detect -> Replace..] Q5 -- YES --> S2((1)) S1 --> S2 S2 --> Q6{{Are the power devices on P.C. board MCC-1645 screwed without looseness? (Rear sides of IC200, Q404, DB01, DB02) Are radiation grease properly applied these?}} Q6 -- NO --> A5[Apply radiation grease to objective parts. Retightening of screws.] Q6 -- YES --> Q7{{Does something block the ventilation around the heat sink? Does something air flow from the fan?}} Q7 -- YES --> A6[Remove blocking matter. Correct short-circuit.] Q7 -- NO --> A7[Check outdoor P.C.B MCC-1645 and MCC-1665. Defect -> Replace] </pre>

○:ON (○*:3 sec ON / 0.5 sec OFF) ●:OFF

Check code	Outdoor LED display	Check and troubleshooting (Item without special mention indicates part of outdoor unit.)
[1C] (Continued)	●●●●○*○	<p>[A room gas side temp. sensor (TGa) error]</p>
	○*●●●○*○	<p>[B room gas side temp. sensor (TGb) error]</p>
	●○*●●○*○	<p>[C room gas side temp. sensor (TGc) error]</p>
	○*●●○*●○	<p>Communication error between MCUs</p>
[1D]	●●○*●●○	<p>[Compressor lock]</p>

○:ON (○*:3 sec ON / 0.5 sec OFF) ●:OFF

Check code	Outdoor LED display	Check and troubleshooting (Item without special mention indicates part of outdoor unit.)
[1E]	○*○*●○*●○	<p>[Discharge temp. error]</p> <pre> graph TD Q1{{Is there gas leak? Is there refrigerant shortage?}} -- YES --> A1[Repair defective position. Recharge refrigerant.] Q1 -- NO --> Q2{{Is PMV under correct conditions?}} Q2 -- NO --> A2[Repair defective position. Replace defective part.] Q2 -- YES --> Q3{{Does an abnormal overload happen?}} Q3 -- YES --> A3[Remove and improve the cause of overload.] Q3 -- NO --> Q4{{Is connection of CN600 on P.C.B. MCC-1665? Is resistance value of TD sensor correct?}} Q4 -- NO --> A4[Correct connector. Sensor error -> Replace.] Q4 -- YES --> A5[Check outdoor P.C.B MCC-1665. Defect -> Replace.] </pre>
[1F]	○*●○*●●○	<p>[Compressor break down]</p> <pre> graph TD Q1{{Is AC mains voltage correct? (198 to 264V)}} -- NO --> A1[Check wiring construction. Ask repair of power supply.] Q1 -- YES --> Q2{{Is wire connection correct? Compressor lead (Board side, Compressor Side), Reactor lead, Power supply lead.}} Q2 -- NO --> A2[Check wire connection and correct it.] Q2 -- YES --> Q3{{Does an abnormal overload happen?}} Q3 -- YES --> A3[Remove and improve the cause of overload.] Q3 -- NO --> A4[Check outdoor P.C.B MCC-1645. Defect -> Replace.] </pre>

○:ON (○*:3 sec ON / 0.5 sec OFF) ●:OFF

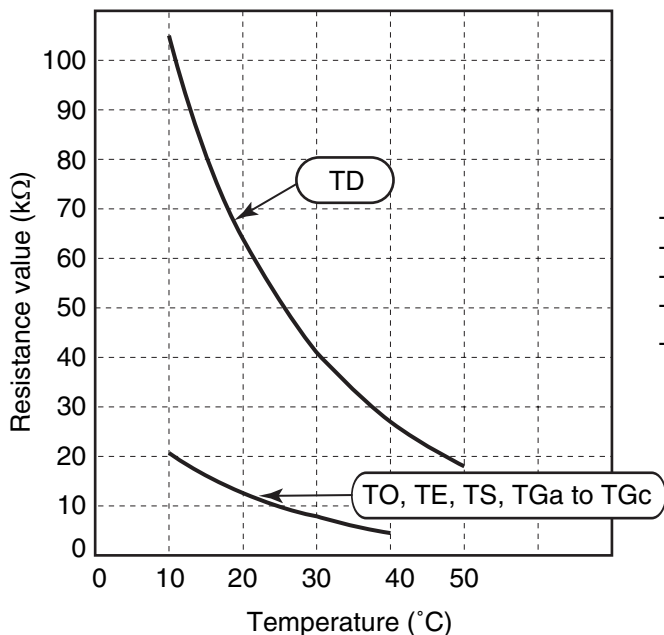
Check code	Outdoor LED display	Check and troubleshooting (Item without special mention indicates part of outdoor unit.)
[20]	●●●○*○*○	<p>* There is a possibility that it is one of the following errors. Confirm LED on display P.C. board (MCC-1646) to judge which error it is. PMV error for A room, B room, C room, D room, E room.</p> <p>[PMV error for A room]</p> <pre> graph TD Q1{{Is PMV under correct conditions?}} -- NO --> A1[Repair defective position. Replace defective part.] Q1 -- YES --> Q2{{Check temp. sensor of A room indoor unit? TA sensor, TC sensor}} Q2 -- Error --> A2[Correct connector. Sensor error -> Replace.] Q2 -- OK --> A3[Check outdoor P.C.B. MCC-1665 and indoor A room P.C. board. Defect -> Replace.] </pre>
	○*●●○*○*○	<p>[PMV error for B room]</p> <pre> graph TD Q1{{Is PMV under correct conditions?}} -- NO --> A1[Repair defective position. Replace defective part.] Q1 -- YES --> Q2{{Check temp. sensor of B room indoor unit? TA sensor, TC sensor}} Q2 -- Error --> A2[Correct connector. Sensor error -> Replace.] Q2 -- OK --> A3[Check outdoor P.C.B. MCC-1665 and indoor B room P.C. board. Defect -> Replace.] </pre>
	●○*●○*○*○	<p>[PMV error for C room]</p> <pre> graph TD Q1{{Is PMV under correct conditions?}} -- NO --> A1[Repair defective position. Replace defective part.] Q1 -- YES --> Q2{{Check temp. sensor of C room indoor unit? TA sensor, TC sensor}} Q2 -- Error --> A2[Correct connector. Sensor error -> Replace.] Q2 -- OK --> A3[Check outdoor P.C.B. MCC-1665 and indoor C room P.C. board. Defect -> Replace.] </pre>

○:ON (○*:3 sec ON / 0.5 sec OFF) ●:OFF

Check code	Outdoor LED display	Check and troubleshooting (Item without special mention indicates part of outdoor unit.)
[21]	* There is a possibility that it is one of the following errors. Confirm LED on display P.C. board (MCC-1646) to judge which error it is. (1) high-pressure SW system error, (2) power supply error (Vdc), (3) high-pressure protective operation, (4) case thermo operation. ● ○ * ● ● ● ○	<p>[High pressure SW system error] High pressure protective operation.</p> <pre> graph TD Q1{{Doesn't high pressure switch operate?}} -- YES --> Q2{{Are parts of high pressure switch normal?}} Q1 -- NO --> Q3{{Is circuit wiring normal?}} Q2 -- YES --> Q4{{Is service valve fully opened?}} Q2 -- NO --> R1[Parts check Defective -> Replace] Q4 -- YES --> R2[Reset the power supply and then do a trial operation according to the season.] Q4 -- NO --> R3[Open service valve fully.] R2 --> B[ⓑ Cooling operation.] R2 --> C[ⓒ Heating operation.] B --> Q5{{Does cooling outdoor fan normally operate?}} Q5 -- YES --> Q6{{Is there any element which blocks heat exchanger of the outdoor unit?}} Q5 -- NO --> Q7{{Is there no fan breakage or coming-off?}} Q6 -- YES --> R4[Elimination of blocking element] Q6 -- NO --> R5[Overcharge of refrigerant/ Clogging/Pipe breakage/ Abnormal overload] Q7 -- YES --> R6[Repair defective position. Connection of connectors, IPDU, Fan motor, Wiring.] Q7 -- NO --> R7[Wiring check, Correct.] C --> Q8{{Does the heating indoor fan normally operate?}} Q8 -- YES --> Q9{{Is there any element which blocks indoor heat exchanger?}} Q8 -- NO --> Q10{{Are connections of connectors, capacitors and fan motor normal?}} Q9 -- YES --> R8[Elimination of blocking element] Q9 -- NO --> R9[Clogging by refrigerant overcharge/Pipe breakage/ Abnormal overload] Q10 -- YES --> Q11{{Are characteristics of TC and TCJ sensor resistance value normal?}} Q10 -- NO --> R10[Repair defective position.] Q11 -- YES --> R11[Check indoor P.C. board Defective -> Replace] Q11 -- NO --> R12[Replace TC or TCJ sensor.] </pre>

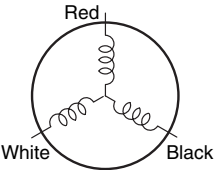
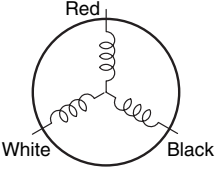
11-7. Inspection of the Main Parts

[1] Sensor characteristic table



TD : Discharge temp. sensor
 TO : Outdoor temp. sensor
 TE : Outdoor heat exchanger temp. sensor
 TS : Suction temp. sensor
 TGa to TGc : Gas side temp. sensor

Outdoor Unit

No.	Part name	Checking procedure																													
1	Compressor RAS-2M14U2AVG-E,-TR (Model : KTN130D30UFZ) RAS-2M18U2AVG-E,-TR RAS-3M18U2AVG-E,-TR (Model : DX136A1T-40N)	Measure the resistance value of each winding by using the tester.  <table border="1" style="display: inline-table; vertical-align: middle;"> <thead> <tr> <th rowspan="2">Position</th> <th colspan="2">Resistance value</th> </tr> <tr> <th>KTN130D30UFZ</th> <th>DX136A1T-40N</th> </tr> </thead> <tbody> <tr> <td>Red - White</td> <td rowspan="3" style="text-align: center; vertical-align: middle;">3.19Ω</td> <td rowspan="3" style="text-align: center; vertical-align: middle;">0.68Ω</td> </tr> <tr> <td>White - Black</td> </tr> <tr> <td>Black - Red</td> </tr> </tbody> </table> <p style="text-align: right;">Under 20°C</p>	Position	Resistance value		KTN130D30UFZ	DX136A1T-40N	Red - White	3.19Ω	0.68Ω	White - Black	Black - Red																			
Position	Resistance value																														
	KTN130D30UFZ	DX136A1T-40N																													
Red - White	3.19Ω	0.68Ω																													
White - Black																															
Black - Red																															
2	Outdoor fan motor (Model : WDF-340-A43-1)	Measure the resistance value of winding by using the tester.  <table border="1" style="display: inline-table; vertical-align: middle;"> <thead> <tr> <th>Position</th> <th>Resistance value</th> </tr> </thead> <tbody> <tr> <td>Red - White</td> <td rowspan="3" style="text-align: center; vertical-align: middle;">33 ± 1.7Ω</td> </tr> <tr> <td>White - Black</td> </tr> <tr> <td>Black - Red</td> </tr> </tbody> </table> <p style="text-align: right;">For details, refer to Section 11-8.</p>	Position	Resistance value	Red - White	33 ± 1.7Ω	White - Black	Black - Red																							
Position	Resistance value																														
Red - White	33 ± 1.7Ω																														
White - Black																															
Black - Red																															
3	Compressor thermo. Bimetal type (Model : CS-12AL) For RAS-2M18U2AVG-E,-TR RAS-3M18U2AVG-E,-TR	Check conduction by using the tester.																													
4	High pressure switch (Model : ACB-4UB83W)	Check conduction by using the tester.																													
5	Outdoor temperature sensor (TO), pipe temperature sensor (TGa, TGb, TGc), discharge temperature sensor (TD), suction temperature sensor (TS), evaporator temperature sensor (TE),	Disconnect the connector, and measure resistance value with the tester.(Normal temperature) <table border="1" style="display: inline-table; vertical-align: middle;"> <thead> <tr> <th rowspan="2">Sensor</th> <th colspan="5">Temperature</th> </tr> <tr> <th>10°C</th> <th>20°C</th> <th>25°C</th> <th>40°C</th> <th>50°C</th> </tr> </thead> <tbody> <tr> <td>TD (kΩ)</td> <td>105</td> <td>64</td> <td>51</td> <td>27</td> <td>18</td> </tr> <tr> <td>TO, TE, TS (kΩ)</td> <td>20.6</td> <td>12.6</td> <td>10.0</td> <td>5.1</td> <td>3.4</td> </tr> <tr> <td>TGa to TGc (kΩ)</td> <td>20.0</td> <td>12.5</td> <td>10.0</td> <td>5.3</td> <td>3.6</td> </tr> </tbody> </table>	Sensor	Temperature					10°C	20°C	25°C	40°C	50°C	TD (kΩ)	105	64	51	27	18	TO, TE, TS (kΩ)	20.6	12.6	10.0	5.1	3.4	TGa to TGc (kΩ)	20.0	12.5	10.0	5.3	3.6
Sensor	Temperature																														
	10°C	20°C	25°C	40°C	50°C																										
TD (kΩ)	105	64	51	27	18																										
TO, TE, TS (kΩ)	20.6	12.6	10.0	5.1	3.4																										
TGa to TGc (kΩ)	20.0	12.5	10.0	5.3	3.6																										

11-8. How to Simply Judge Whether Outdoor Fan Motor is Good or Bad

1. Symptom

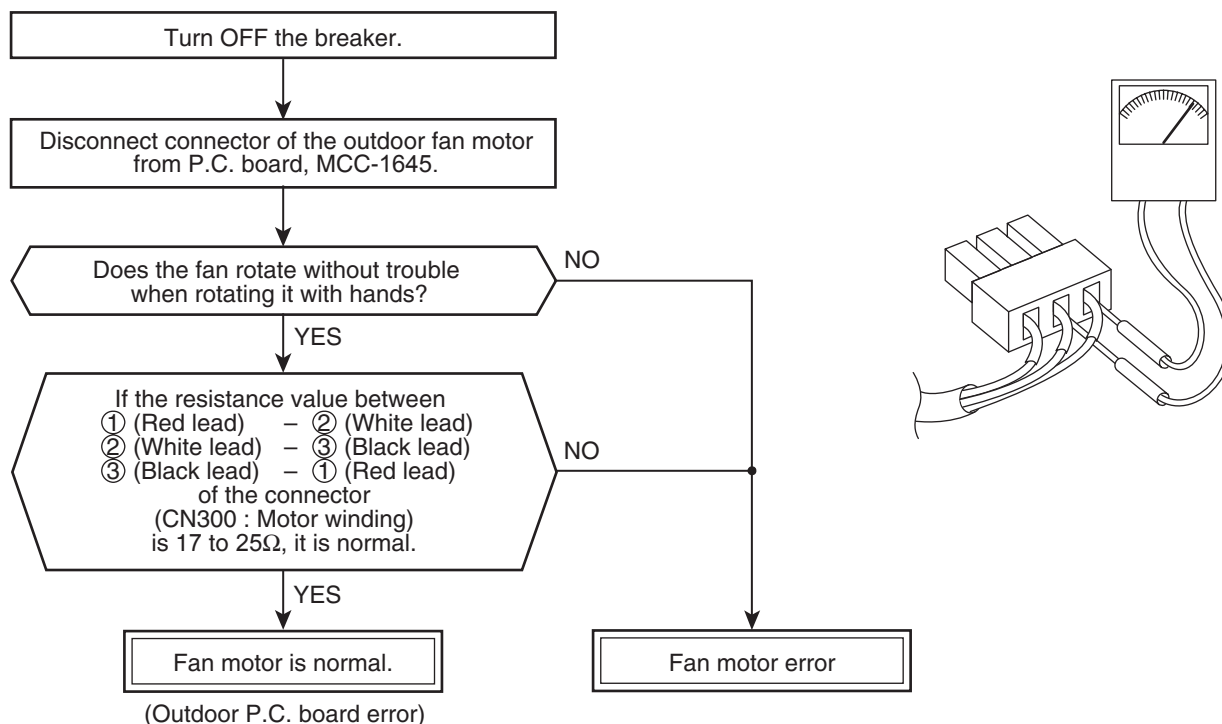
- Outdoor fan motor does not rotate.
 - Outdoor fan motor stops within several tens seconds though it started rotating.
 - Outdoor fan motor rotates or does not rotate according to the position where the fan stopped, etc.
- Remote controller check code "02 : Outdoor block, 1A : Outdoor fan drive system error"

2. Cause

The following causes are considered when the outdoor fan motor does not normally rotate.

- 1) Mechanical lock of the outdoor fan motor
- 2) Winding error of the outdoor fan motor
- 3) Position-detect circuit error inside of the outdoor fan motor
- 4) Motor drive circuit error of the outdoor P.C. board

3. How to simply judge whether outdoor fan motor is good or bad



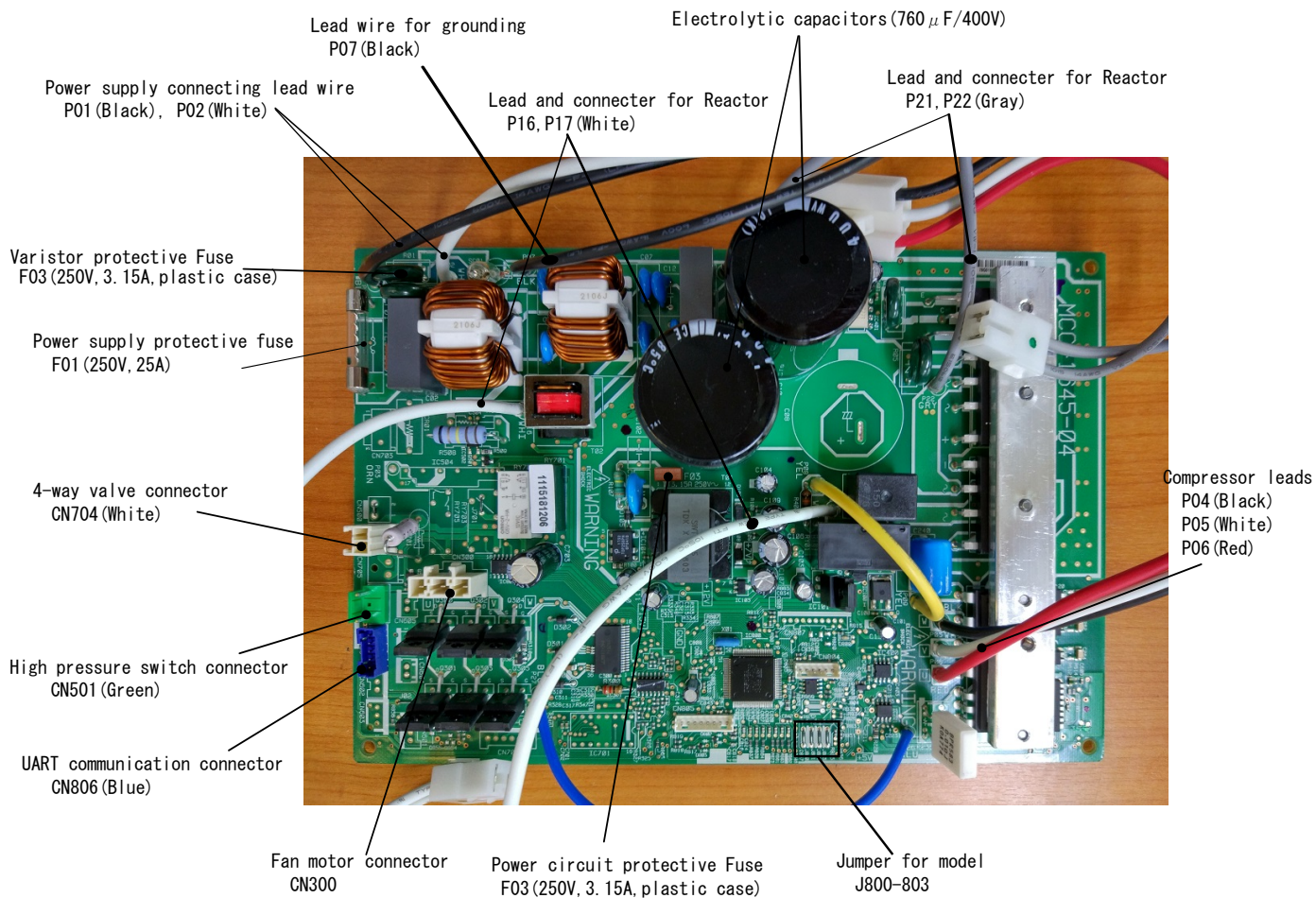
NOTE

However, GND circuit error inside of the motor may be accepted in some cases when the above check is performed.

When the fan motor does not become normal even if P.C. board is replaced, replace the outdoor fan motor.

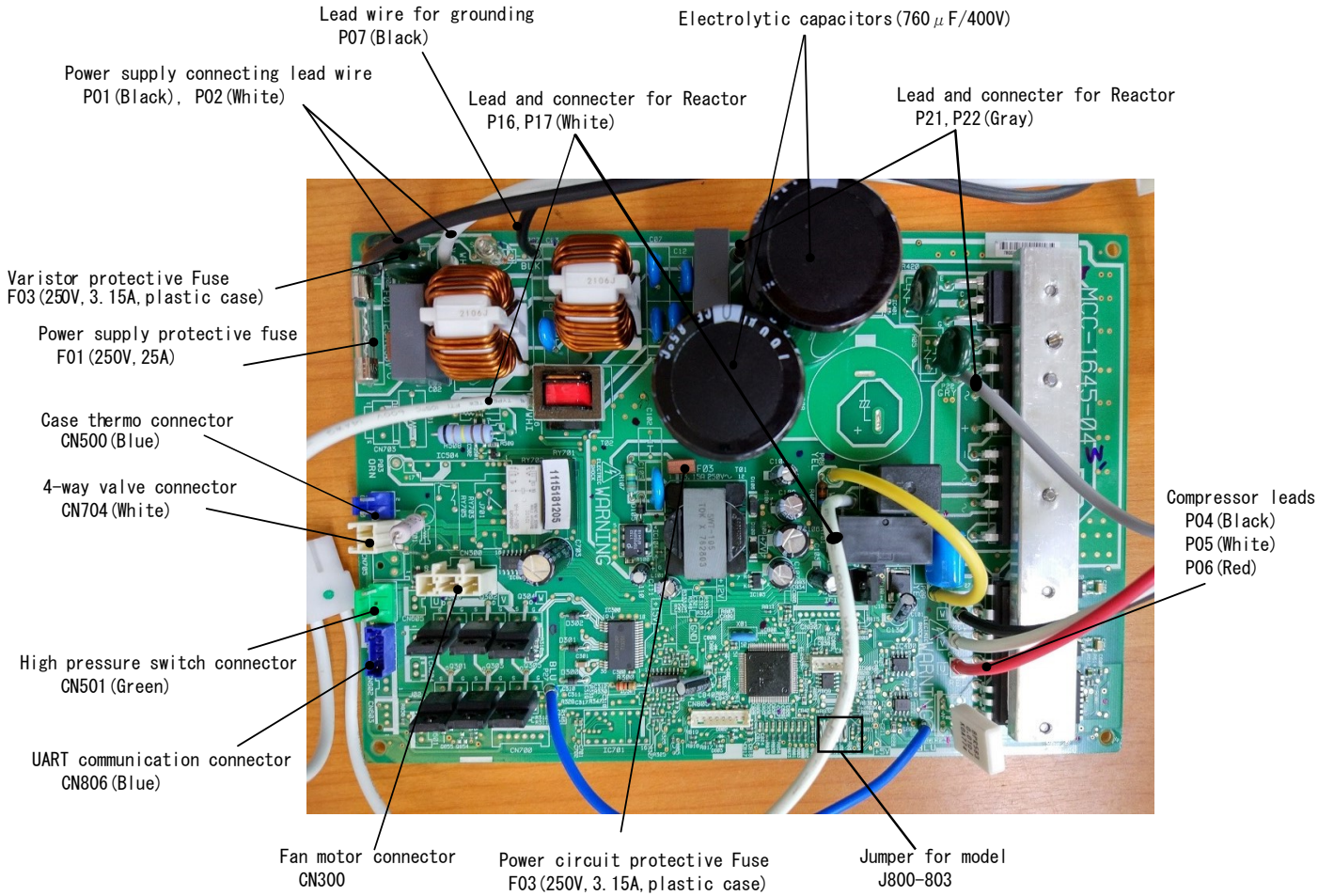
<MCC-1645>

RAS-2M14U2AVG-E, -TR



<MCC-1645>

RAS-2M18U2AVG-E, -TR
 RAS-3M18U2AVG-E, -TR



<MCC-1665>

RAS-2M14U2AVG-E, -TR
 RAS-2M18U2AVG-E, -TR

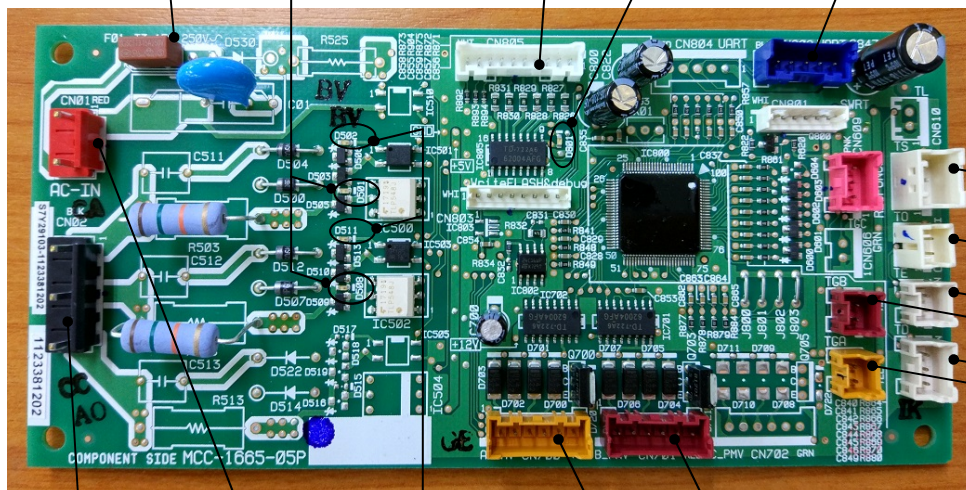
Indoor/Outdoor communication
 wire protective Fuse
 F03 (250V, 3.15A, plastic case)

Power, Alarm display LED
 D801 (Red)

Indoor/Outdoor communication signal
 LED D501, D508 (Green, Outdoor→Indoor)

UART communication connector
 CN802 (Blue)

Connector for display
 CN805 (White)



Temp. sensor connector
 TS CN603 (White)
 TO CN602 (White)
 TE CN601 (White)
 TD CN600 (White)

TGB CN605 (Red)
 TGA CN604 (Yellow)

Power supply connecting
 connector
 CN01 (Red)

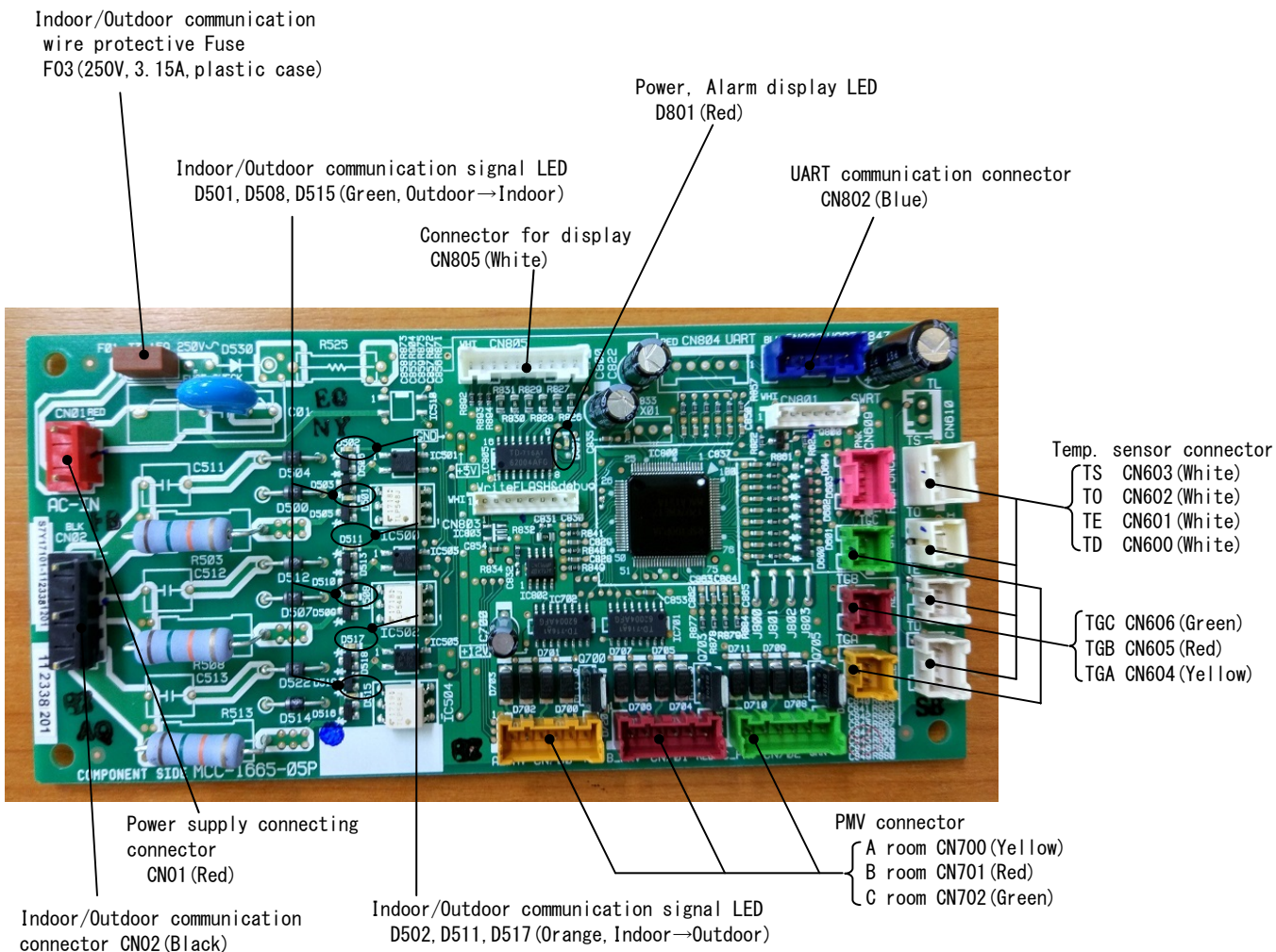
PMV connector
 A room CN700 (Yellow)
 B room CN701 (Red)

Indoor/Outdoor communication
 connector CN02 (Black)

Indoor/Outdoor communication signal LED
 D502, D511 Orange, Indoor→Outdoor)

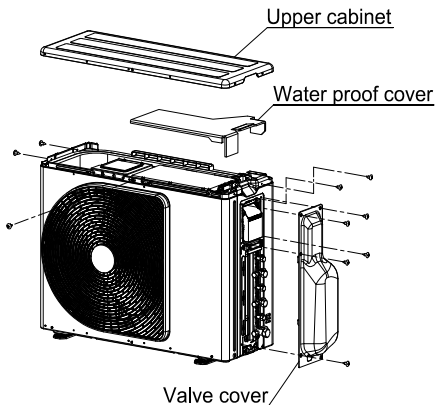
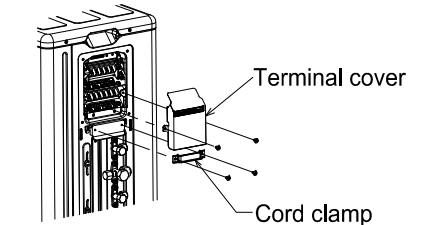
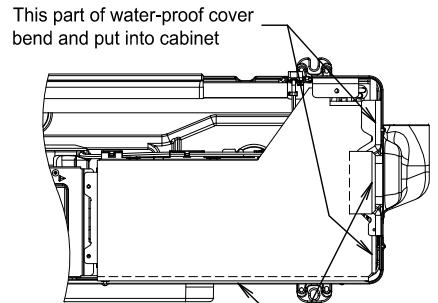
<MCC-1665>

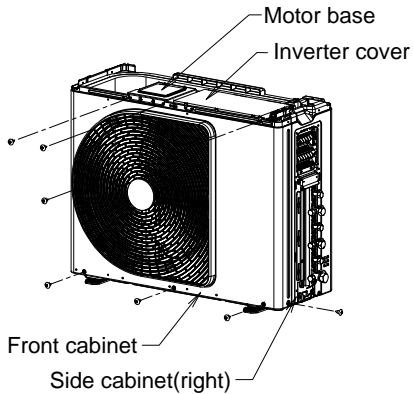
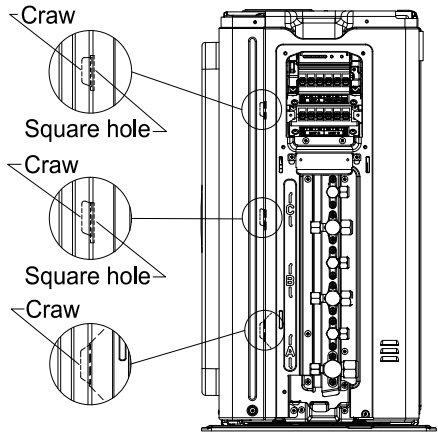
RAS-3M18U2AVG-E, -TR

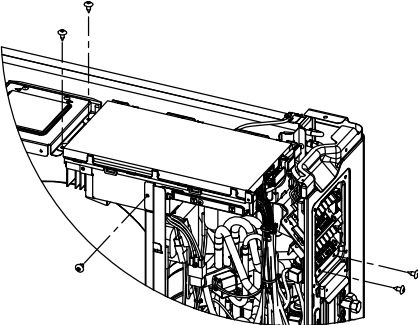
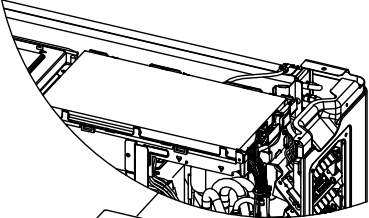
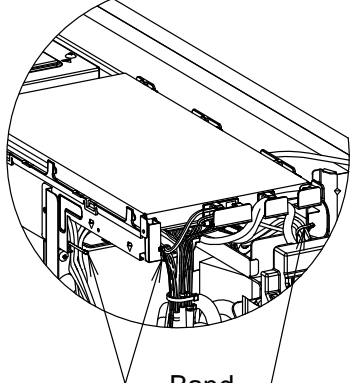
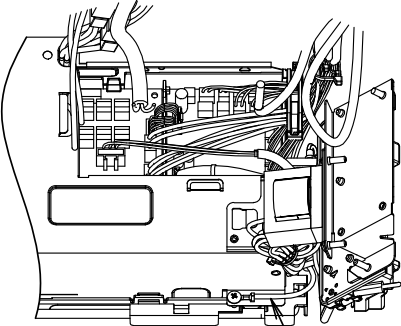
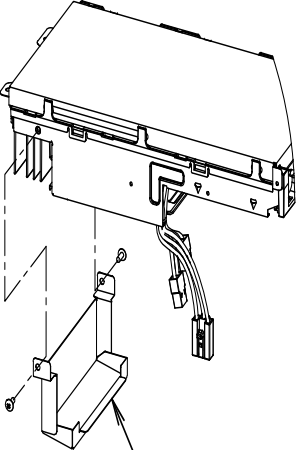
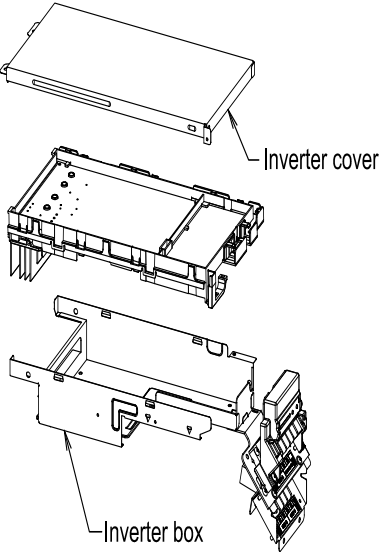


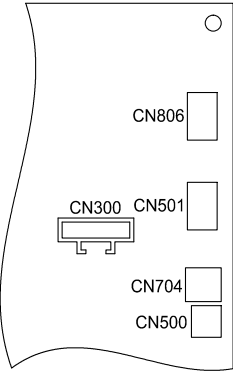
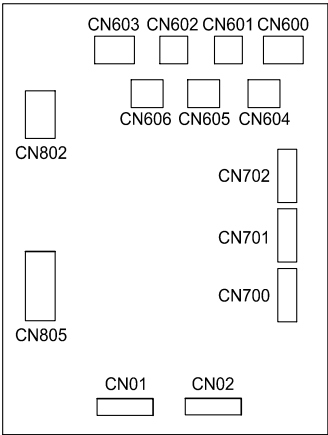
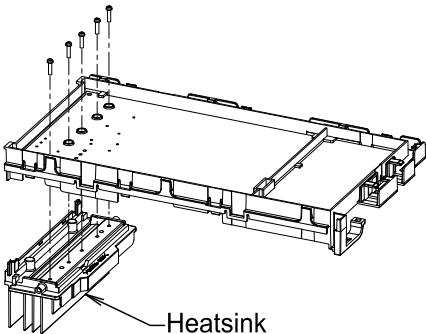
12. HOW TO REPLACE THE MAIN PARTS

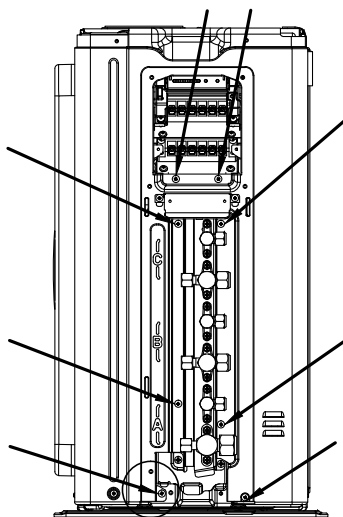
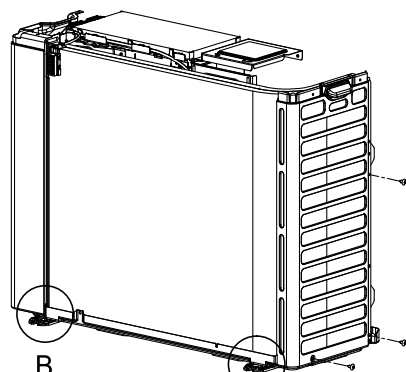
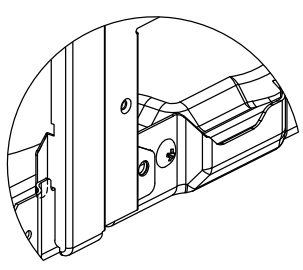
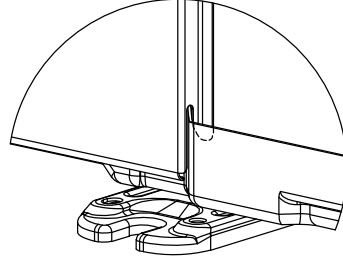
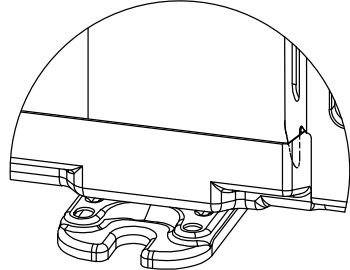
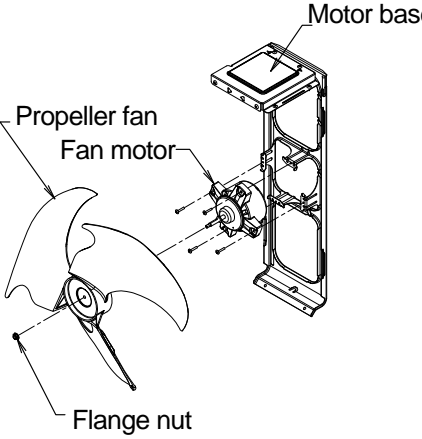
12-1. Outdoor Unit

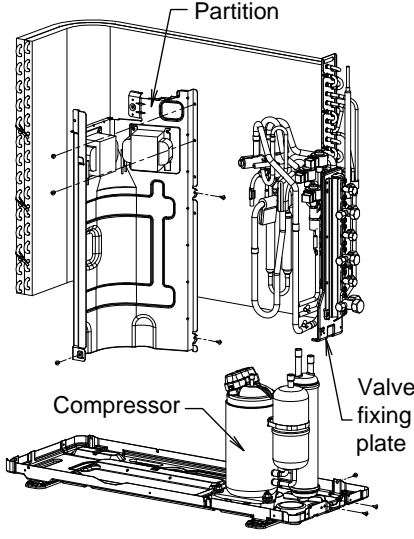
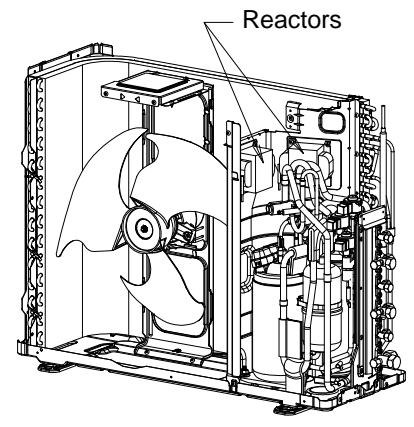
No.	Part name	Procedure	Remarks
①	Common procedure	<p>⚠ CAUTION</p> <hr/> <p>Never forget to put on the gloves at working time; otherwise an injury will be caused by the parts etc.</p> <hr/> <p>1. Detachment</p> <ol style="list-style-type: none"> 1) Stop operation of the air conditioner, and turn off the main switch of the breaker for air conditioner. 2) Remove the valve cover. (ST1T04×10L 5pcs.) <ul style="list-style-type: none"> • After removing screw, remove the valve cover pulling it downward. 3) Remove the upper cabinet. (ST1T04×10L 5pcs.) <ul style="list-style-type: none"> • After removing screws, remove the upper cabinet pulling it upward. 4) Remove the terminal cover. (ST1T04×10L 2pcs.) 5) Remove the cord clamp. (ST2T04×10L 2pcs.) 6) Remove the power supply cord and the indoor/outdoor connecting cable from terminal. <p>2. Attachment</p> <ol style="list-style-type: none"> 1) Attach the power supply cord and the indoor/outdoor connecting cable to terminal. 2) Attach the cord clamp. (ST2T04×10L 2pcs.) 3) Attach the terminal cover. (ST1T04×10L 2pcs.) 4) Attach the water-proof cover. <p>NOTE)</p> <hr/> <p>The water-proof cover must be attached without fail in order to prevent rain water, etc. from entering inside the outdoor unit.</p> <hr/> <ol style="list-style-type: none"> 5) Attach the upper cabinet. (ST1T04×10L 5pcs.) 6) Attach the valve cover. (ST1T04×10L 5pcs.) <ul style="list-style-type: none"> • Set hook claws of the valve cover to square holes (at 3 positions) of the main unit, and attach it pushing upward. 	 <p>Upper cabinet Water proof cover Valve cover</p>  <p>Terminal cover Cord clamp</p>  <p>This part of water-proof cover bend and put into cabinet</p> <p>This part of water-proof cover cover cabinet</p> <div style="border: 1px solid black; padding: 5px; width: fit-content; margin-top: 10px;"> <p>How to mount the water-proof cover</p> </div>

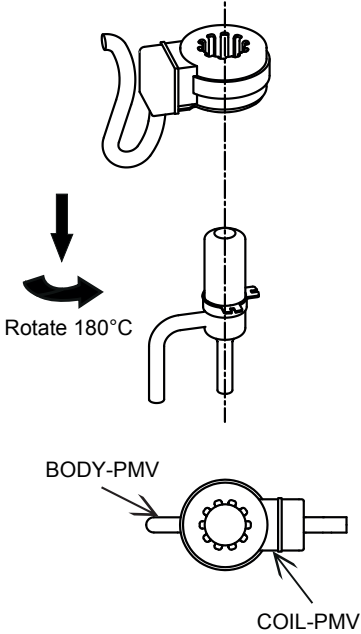
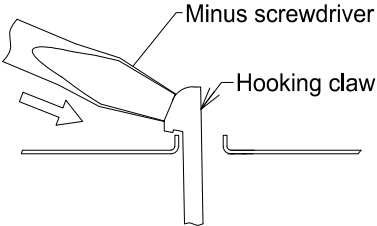
No.	Part name	Procedure	Remarks
②	Front cabinet	<p>1. Detachment</p> <ol style="list-style-type: none"> 1) Perform work 1 of ①. 2) Remove the front cabinet. (ST1TØ4×10L 2pcs. : fix to motor base) (ST1TØ4×10L 1pc. : fix to inverter cover) (ST1TØ4×10L 4pcs. : fix to base plate) <ul style="list-style-type: none"> • The front cabinet is fitted into the side cabinet (left) at the front left side so pull up the top of the front cabinet to remove it. <p>2. Attachment</p> <ol style="list-style-type: none"> 1) Insert the claw on the front left side into the side into the side cabinet (left). 2) Hook the bottom part of the front right side onto the concave section of the base plate. Insert the claw of the side cabinet (right) into the square hole in the front cabinet. 3) Return the screws that were removed above to their original positions, and attach them. 	 

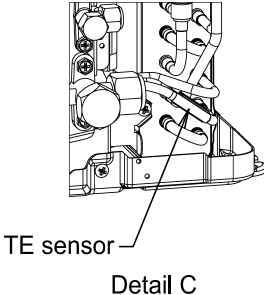
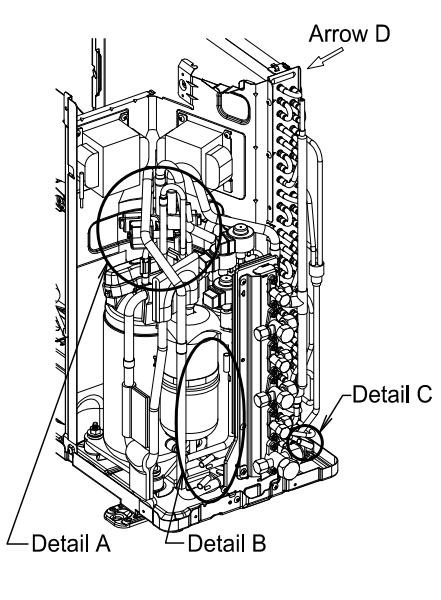
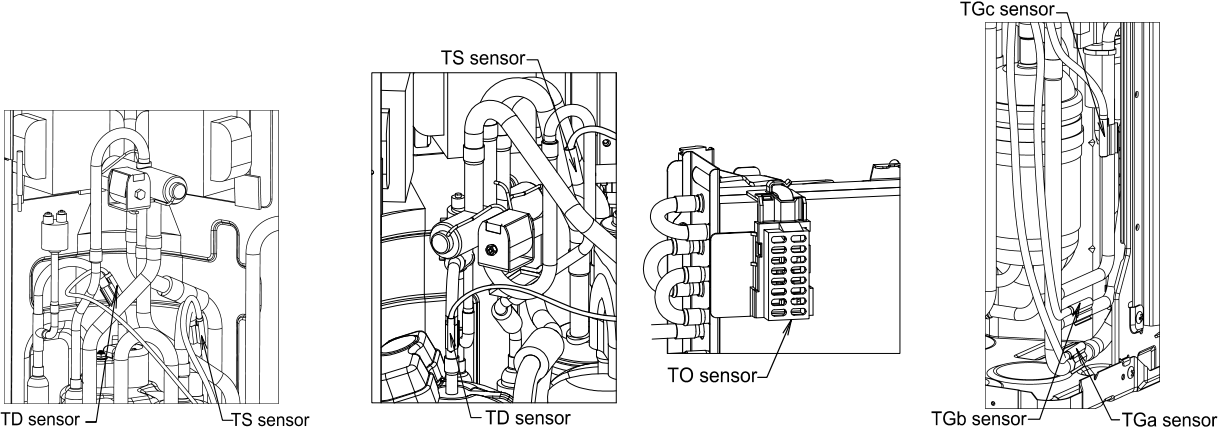
No.	Part name	Procedure	Remarks
③	Inverter assembly	<p>1) Perform works 1 of ① and ②.</p> <p>⚠ WARNING</p> <hr/> <p>Never disassemble the inverter until 1 minute after the power supply was turned off because there is a fear that an electric shock may occur.</p> <hr/> <p>NOTE)</p> <hr/> <p>When working, be sure to use the insulate tools and put on the insulated gloves.</p> <hr/> <p>2) Remove screws. (ST1TØ4×10L 2pcs. : fix to side cabinet (right)) (ST1TØ4×10L 2pcs. : fix to motor base) (ST1TØ4×10L 1pc. : fix to partition)</p> <p>3) Remove the cover under inverter box. (ST1TØ4×10L 1pc.)</p> <p>4) Disconnect the leads connected to the other parts from the inverter assembly. • Lead connected to compressor (3P : white) • Lead connected to reactor (2P×2 : white)</p> <p>5) Cut the banding band (3pcs.)</p> <p>6) Remove the black color lead wire. (ST2TØ4×8L 1pc.)</p> <p>7) Remove the duct cover of inverter box. (ST1TØ4×10L 2pcs.)</p> <p>8) Remove the inverter box and inverter cover.</p> <p>9) Remove the power supply cable from the power supply terminal block. • Power supply lead L : black • Power supply lead N : white</p>	  <p>Cover under inverter box</p>  <p>Band</p>  <p>Black color lead wire</p>
 <p>Duct cover</p>		 <p>Inverter cover</p> <p>Inverter box</p>	

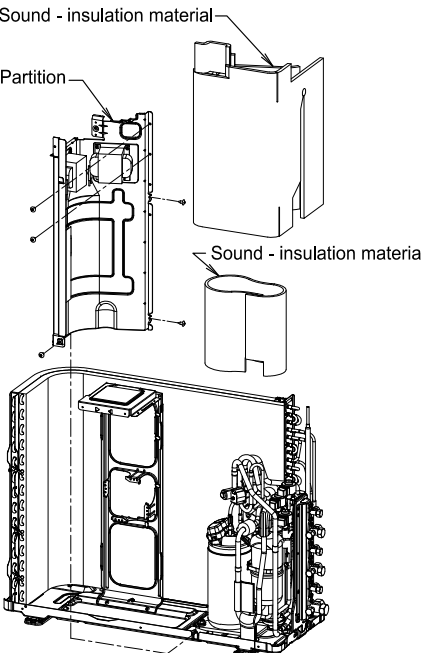

No.	Part name	Procedure	Remarks
③	Inverter assembly (continued)	<p>10) Disconnect the leads connected to the other parts from the P.C. assembly.</p> <p>NOTE)</p> <hr/> <p>These connectors have the lock. The lock must be released before they are disconnected.</p> <hr/> <p>Main P.C. board CN300 : Outdoor fan motor (3P : white) CN500 : Thermostat for compressor (2P : blue) *only 3M18 and 2M18 CN501 : High pressure switch (3P : green) CN704 : 4 way valve coil (2P : white)</p> <p>Control P.C. board CN01 : AC-IN (2P : Red) CN02 : Serial communication (3P : Black) CN600 : TD sensor (3P : white) CN601 : TE sensor (2P : white) CN602 : TO sensor (2P : white) CN603 : TS sensor (3P : white) CN604 : TGa sensor (2P : yellow) CN605 : TGb sensor (2P : red) CN606 : TGc sensor (2P : green) *only 3M series CN700 : PMV A (6P : yellow) CN701 : PMV B (6P : red) CN702 : PMV C (6P : green) *only 3M series CN805 : Display P.C. board (10P : white)</p> <p>Connected connector of main and control CN806 and CN802 (5P : blue)</p> <p>11) Remove the heatsink. (ST2TØ3×12L 5pcs.)</p> <p>12) Remove the PCB base.</p> <p>NOTE)</p> <hr/> <p>When mounting the new control board assembly, ensure that the P.C. board is inserted properly into the P.C. board support groove.</p> <hr/>	 <p style="text-align: center;">Main P.C. board</p>  <p style="text-align: center;">Control P.C. board</p>  <p style="text-align: right;">Heatsink</p>

No.	Part name	Procedure	Remarks	
④	Side cabinet	<p>1.Side cabinet (right) 1) Perform works 1 of ① and ②. 2) Remove screws. (ST1T04×10L 2pcs. : fix to inverter assembly) (ST1T04×10L 4pcs. : fix to valve plate) (ST1T04×10L 2pcs. : fix to base plate)</p> <p>2.Side cabinet (left) 1) Perform works 1 of ① and ②. 2) Remove screws. (ST1T04×10L 2pcs. : fix to heat exchanger) (ST1T04×10L 1pc. : fix to base plate)</p>	 <p>A</p>  <p>B</p> <p>C</p>	
				
Detail A	Detail B	Detail C		
⑤	Fan motor	<p>1) Perform works 1 of ① and ②. 2) Remove the flange nut and the propeller fan. • Flange nut is loosened by turning clockwise. (To tighten the flange nut, turn counterclockwise.) 3) Disconnect the connector of fan motor from the inverter. 4) Remove screws. (ST2T04×20L 4pcs.) • Hold by hands so that the motor does not fall.</p> <p>• <u>Precautions when assembling the propeller fan.</u> Tighten the flange nut using a tightening torque of 4.9 N•m.</p>		

No.	Part name	Procedure	Remarks
⑥	Compressor	<p>1) Perform works from ① to ⑤.</p> <p>2) Recover the refrigerant gas from the outdoor unit.</p> <p>3) Remove partition. (ST1T04×10L 5pcs.)</p> <p>4) Remove the sound-insulation material.</p> <p>5) Remove terminal cover of the compressor, and disconnect lead wire of the compressor and the comp. thermo. assembly.</p> <p>6) Remove pipe connected to the compressor with a burner.</p> <ul style="list-style-type: none"> • Take care to keep the 4 way valve away from naked flames. (Otherwise, it may malfunction.) <p>7) Remove screws. (ST1T04×10L 1pc. : fix to heat exchange) (ST1T04×10L 2pcs. : fix to valve fixing plate)</p> <p>8) Pull upward the refrigeration cycle.</p> <p>9) Remove NUT (3 pcs.) fixing the compressor.</p> <p>•<u>Precautions when assembling the compressor.</u> Tighten the compressor nuts using a tightening torque of 9 N•m.</p>	 <p>Partition</p> <p>Compressor</p> <p>Valve fixing plate</p>
⑦	Reactor	<p>1) Perform works from ① to ③.</p> <p>2) Remove reactors. (ST1T04×10L 4pcs.)</p>	 <p>Reactors</p>

No.	Part name	Procedure	Remarks
⑧	Electronic expansion valve coil	<p>1. Detachment</p> <ol style="list-style-type: none"> 1) Perform step 1 in ②, all the steps in ③ and 1 in ④. 2) Turn the coil by 180 degrees then remove by pull it upward. <p>2. Attachment</p> <ol style="list-style-type: none"> 1) Insert the coil at position which perpendicular with pipe of PMV then turn the coil by 180 degrees. <div data-bbox="376 521 879 616" style="border: 1px solid black; padding: 5px; margin: 10px 0;"> <p>Make sure that lead wire of coil is opposite with pipe of PMV</p> </div>	 <p style="text-align: center;">Rotate 180°</p> <p style="text-align: center;">BODY-PMV COIL-PMV</p>
⑨	Fan guard	<p>1. Detachment</p> <ol style="list-style-type: none"> 1) Perform works ① and ②. 2) Remove the front cabinet, and put it down so that fan guard side directs downward. <div data-bbox="367 1167 884 1256" style="border: 1px solid black; padding: 5px; margin: 10px 0;"> <p>Perform work on a corrugated cardboard, cloth, etc. to prevent flaw to the product.</p> </div> <ol style="list-style-type: none"> 3) Remove the hooking claws by pushing minus screwdriver according to the arrow mark in the right figure, and remove the fan guard. <p>2. Attachment</p> <ol style="list-style-type: none"> 1) Insert claws of the fan guard in the holes of the front cabinet. Push the hooking claws (9 positions) by hands and fix the claws. <div data-bbox="359 1621 876 1744" style="border: 1px solid black; padding: 5px; margin: 10px 0;"> <p>All the attaching works have completed. Check that all the hooking claws are fixed to the specified positions.</p> </div> <p><Handling precaution> When handling the parts, do not pull the leads. When removing the coil from the valve body, use your hand to secure the body in order to prevent the pipe from being bent out of shape.</p>	

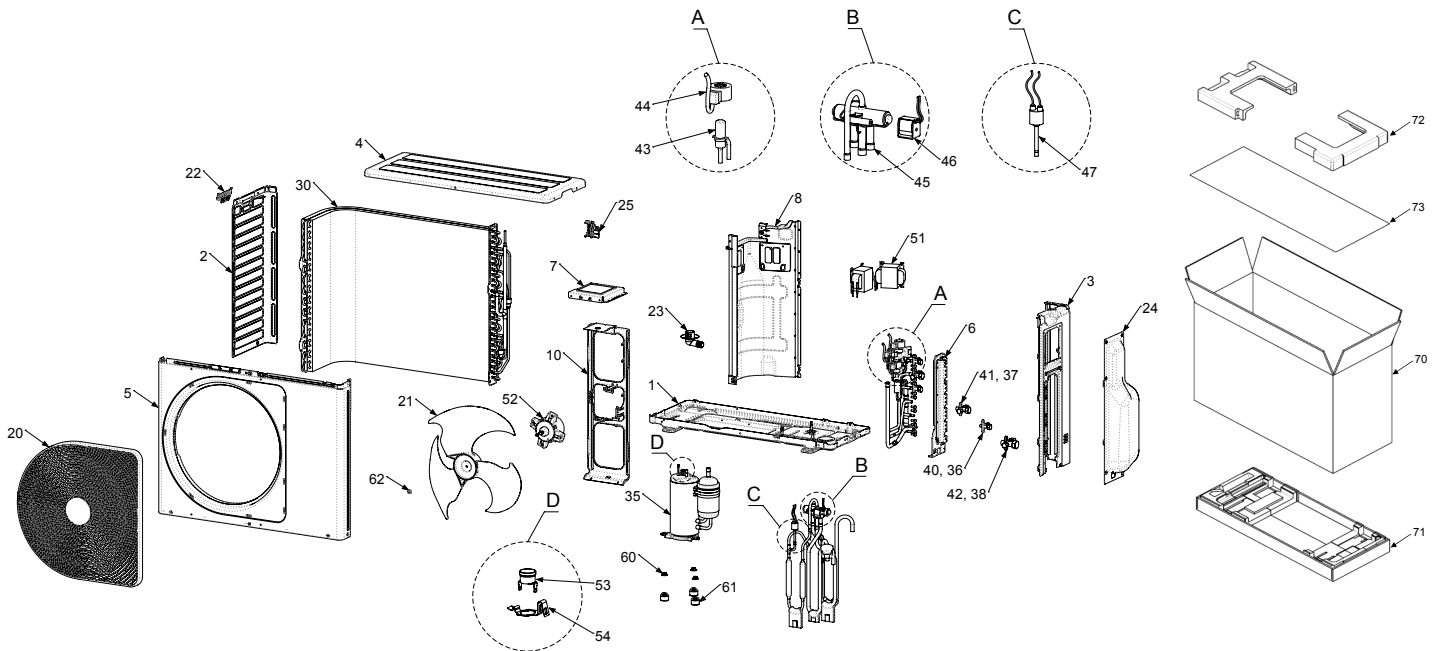
No.	Part name	Procedure	Remarks
⑩	<p>TE sensor (outdoor heat exchanging temperature sensor)</p> <p>• Attachment</p> <p>With the sensor leads pointing in the direction shown in the figure, install the sensor onto the condenser output pipe.</p> 		
⑪	<p>TS sensor (Suction pipe temperature sensor)</p> <p>• Attachment</p> <p>With its leads pointing in the direction shown in the figure and install sensor onto the suction pipe.</p>		
⑫	<p>TD sensor (Discharge pipe temperature sensor)</p> <p>• Attachment</p> <p>With its leads pointed in the direction shown in the figure, install the sensor facing downward onto the vertical straight pipe part of the discharge pipe.</p>		
⑬	<p>TO sensor (Outside air temperature sensor)</p> <p>• Attachment</p> <p>Insert the outdoor air temperature sensor into the holder, and install the holder onto the heat exchanger.</p>		
⑭	<p>TGa/TGb/TGc sensor (Gas side pipe temperature sensor)</p> <p>• Attachment</p> <p>With its leads pointing in the direction shown in the figure, and install the sensor onto the straight pipe part of gas side pipe. Match the sensor protective tube colors with the pipe marking colors and install the sensors. TGa is yellow, TGb is red, and TGc is green.</p> 		
<p>⚠ CAUTION</p> <p>During the installation work (and on its completion), take care not to damage the coverings of the sensor leads on the edges of the metal plates or other parts. It is dangerous for these coverings to be damaged since damage may cause electric shocks and/or a fire.</p> <p>After replacing the parts, check whether the positions where the sensors were installed are the proper positions as instructed. The product will not be controlled properly and trouble will result if the sensors have not been installed in their proper positions.</p>			

No.	Part name	Procedure	Remarks
⑮	High pressure switch	<p>1.Detachment</p> <ol style="list-style-type: none"> 1) Perform work of ①. 2) Recover the refrigerant gas form the outdoor unit. 3) Perform work of ②, ③, ④ and ⑤. 4) Remove the sound-insulation material and partition. 5) Remove the high pressure switch by the burner. <p>NOTE)</p> <hr/> <p>Take care that the electric parts, 4 way valve, butyle, compressor, accum tank, heat exchanger, and etc. are not caught by flame. (Otherwise pperation trouble may occur.)</p> <hr/> <p>1.Attachment</p> <ul style="list-style-type: none"> •Be sure not to burn lead wire of the high pressure switch. <p>NOTE)</p> <hr/> <p>Adjust the temperature of the hight pressure switch to below 100°C during the brazing. Use the wet towel for cooling. Use the protective plate for the brazing.</p> <hr/>	 <p>Sound - insulation material</p> <p>Partition</p> <p>Sound - insulation material</p> <p>Protective plate</p>  <p>High pressure switch</p> <p>Wet towel</p>

13. EXPLODED VIEWS AND PARTS LIST

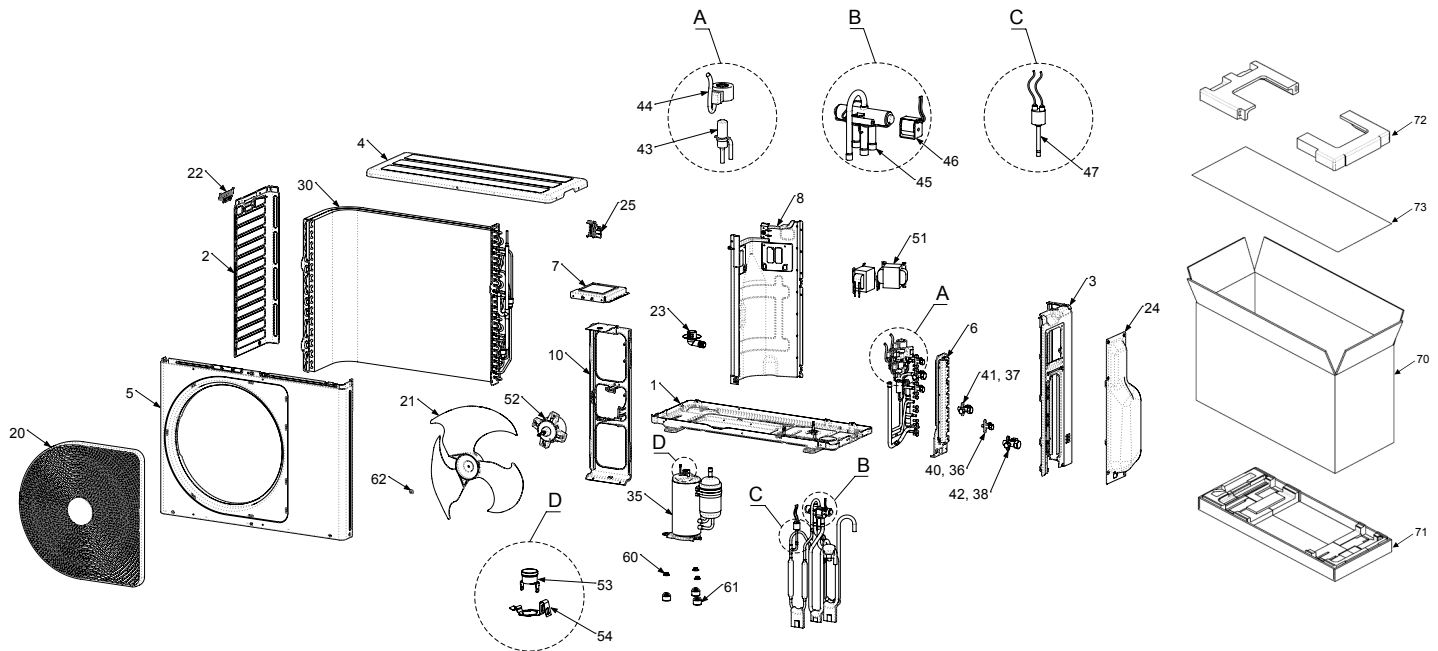
13-1. Outdoor Unit

RAS-2M14U2AVG-E,-TR



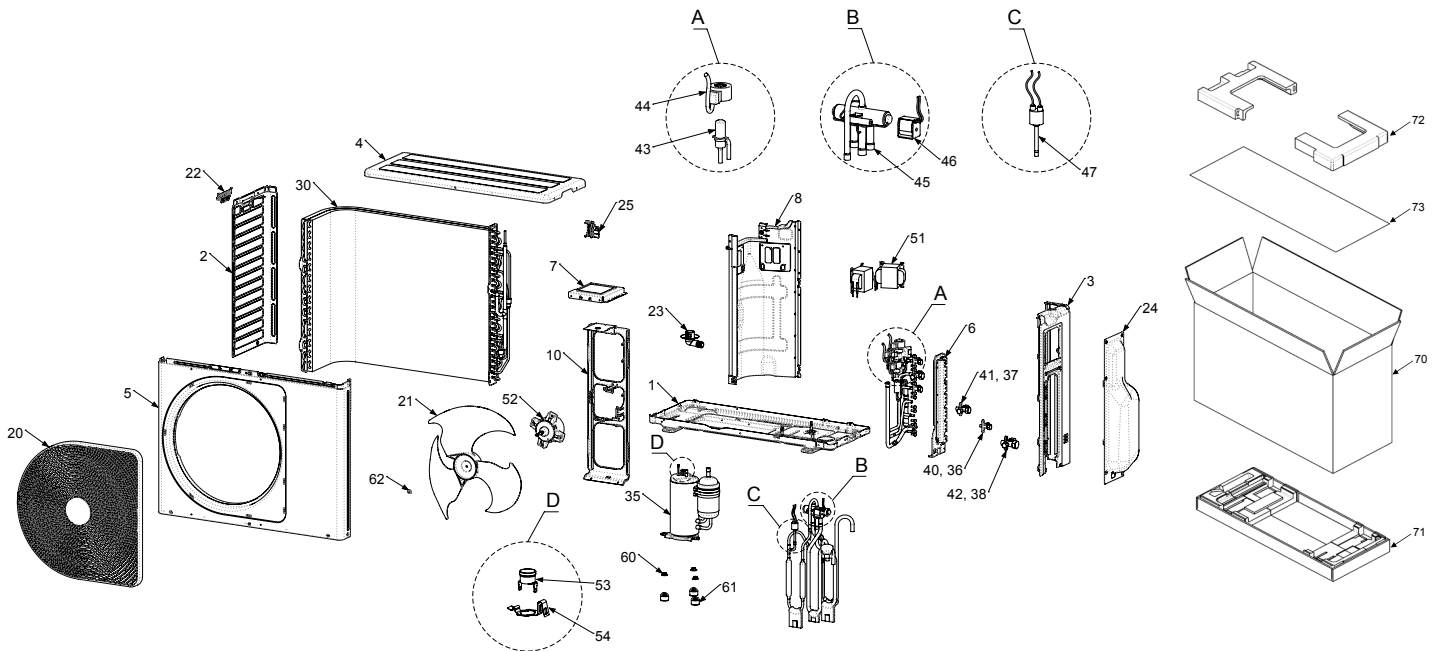
Location No.	Part No.	Description	Location No.	Part No.	Description
1	43T42345	BASE PLATE ASSEMBLY	37	43T47404	BONNET, 9.52 DIA
2	43T00560	LEFT CABINET	40	43T46358	VALVE;PACKED 6.35 DIA
3	43T00672	RIGHT SIDE CABINET ASSEMBLY	41	43T46366	VALVE;PACKED 9.52 DIA
4	43T00561	UPPER CABINET	43	43T46469	BODY PMV
5	43T00718	FRONT CABINET	44	43T63360	COIL PMV
6	43T02303	FIXING PLATE VALVE ASSEMBLY	45	43T46424	4 WAY VALVE
7	43T39363	MOTOR BASE CONNECTION PLATE	46	43046571	COIL-V-3WAY
8	43T04343	PARTITION ASSEMBLY	47	43T63370	SWITCH, PRESSURE
10	43T39374	MOTOR BASE	51	43T58327	REACTOR
20	43T19371	FAN GUARD	52	43T21460	FAN MOTOR
21	43T20331	PROELLER FAN	60	43T97001	NUT
22	43T19350	HANDLE	61	43T49335	RUBBER CUSHION
23	43T79305	DRAIN NIPPLE	62	43T47001	NUT FLANGE
24	43T00673	PACKED VALVE COVER ASSEMBLY	70	43T91336	CARTON-BOX
25	43T63319	HOLDER,SENSOR	71	43T91348	FIBERBOARD UNDER ASSEMBLY
30	43T43583	CONDENSER ASSEMBLY	72	43T91337	CUSHION PACKING UPPER
35	43T41522	COMPRESSOR	73	43T91301	PE SHEET
36	43T47403	BONNET, 6.35 DIA			

13-2. Outdoor Unit
RAS-2M18U2AVG-E,-TR



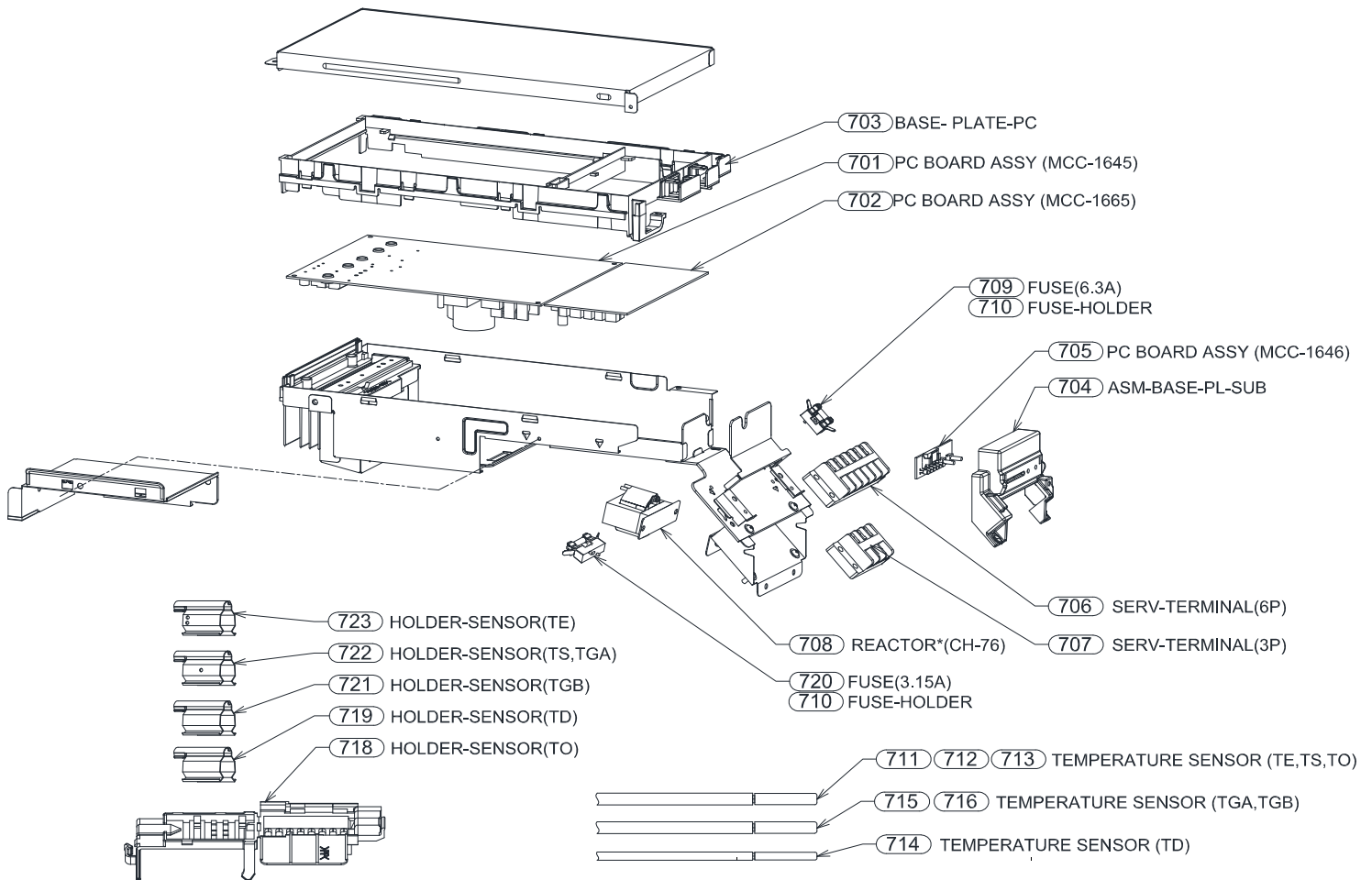
Location No.	Part No.	Description	Location No.	Part No.	Description
1	43T42345	BASE PLATE ASSEMBLY	40	43T46358	VALVE;PACKED 6.35 DIA
2	43T00560	LEFT CABINET	41	43T46366	VALVE;PACKED 9.52 DIA
3	43T00672	RIGHT SIDE CABINET ASSEMBLY	43	43T46469	BODY PMV
4	43T00561	UPPER CABINET	44	43T63360	COIL PMV
5	43T00718	FRONT CABINET	45	43T46424	4 WAY VALVE
6	43T02303	FIXING PLATE VALVE ASSEMBLY	46	43046571	COIL-V-3WAY
7	43T39363	MOTOR BASE CONNECTION PLATE	47	43T63370	SWITCH, PRESSURE
8	43T04343	PARTITION ASSEMBLY	51	43T58327	REACTOR
10	43T39374	MOTOR BASE	52	43T21460	FAN MOTOR
20	43T19371	FAN GUARD	53	43T54319	BIMETAL-THERMO
21	43T20331	PROELLER FAN	54	43T50307	HOLDER-THERMO
22	43T19350	HANDLE	60	43T97001	NUT
23	43T79305	DRAIN NIPPLE	61	43T49335	RUBBER CUSHION
24	43T00673	PACKED VALVE COVER ASSEMBLY	62	43T47001	NUT FLANGE
25	43T63319	HOLDER,SENSOR	70	43T91336	CARTON-BOX
30	43T43583	CONDENSER ASSEMBLY	71	43T91348	FIBERBOARD UNDER ASSEMBLY
35	43T41534	COMPRESSOR	72	43T91337	CUSHION PACKING UPPER
36	43T47403	BONNET, 6.35 DIA	73	43T91301	PE SHEET
37	43T47404	BONNET, 9.52 DIA			

13-3. Outdoor Unit
RAS-3M18U2AVG-E,-TR



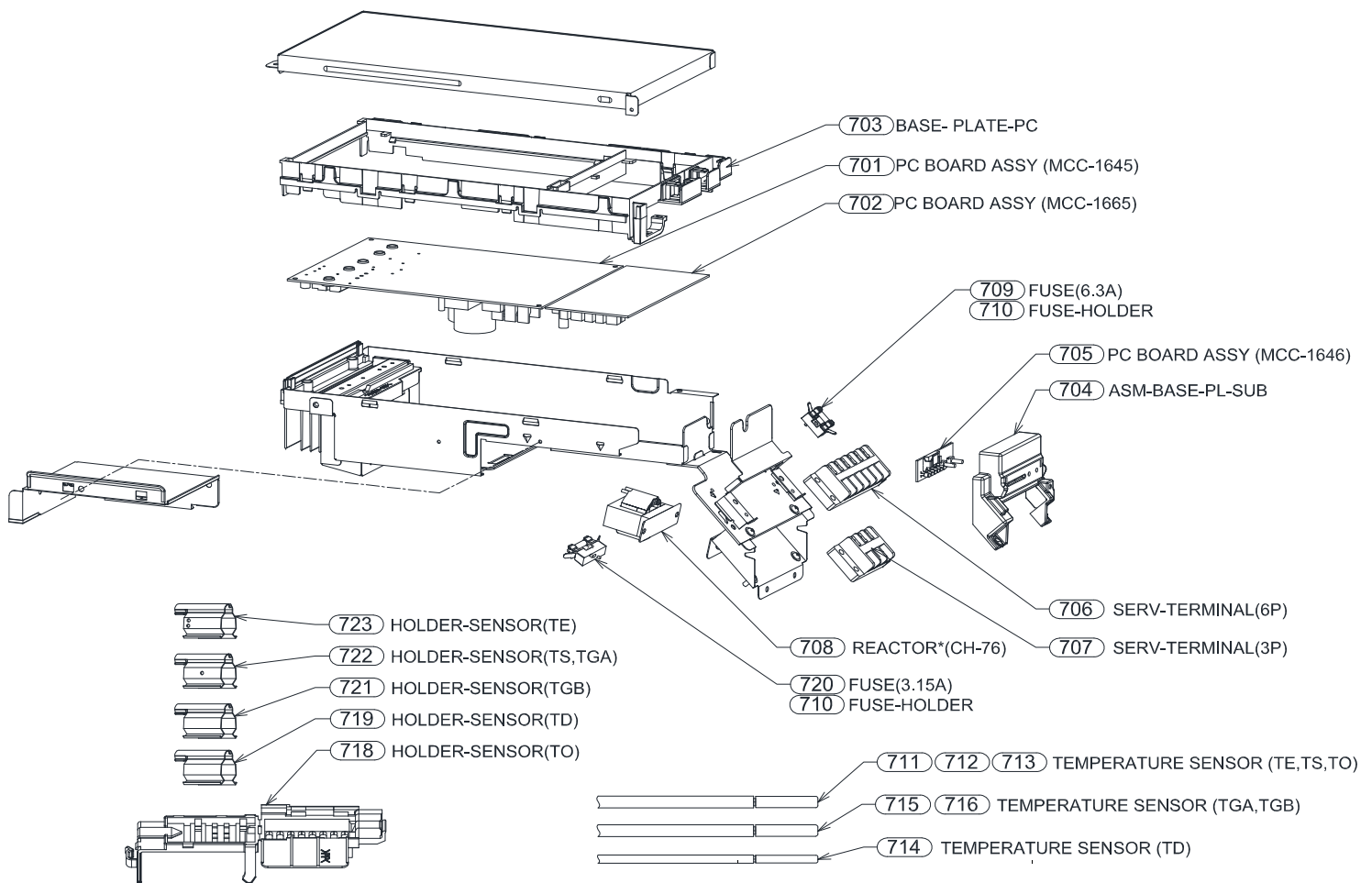
Location No.	Part No.	Description	Location No.	Part No.	Description
1	43T42345	BASE PLATE ASSEMBLY	40	43T46358	VALVE;PACKED 6.35 DIA
2	43T00560	LEFT CABINET	41	43T46366	VALVE;PACKED 9.52 DIA
3	43T00672	RIGHT SIDE CABINET ASSEMBLY	42	43T46374	VALVE;PACKED 12.7DIA(H4)
4	43T00561	UPPER CABINET	43	43T46469	BODY PMV
5	43T00718	FRONT CABINET	44	43T63360	COIL PMV
6	43T02303	FIXING PLATE VALVE ASSEMBLY	45	43T46424	4 WAY VALVE
7	43T39363	MOTOR BASE CONNECTION PLATE	46	43046571	COIL-V-3WAY
8	43T04343	PARTITION ASSEMBLY	47	43T63370	SWITCH, PRESSURE
10	43T39374	MOTOR BASE	51	43T58327	REACTOR
20	43T19371	FAN GUARD	52	43T21460	FAN MOTOR
21	43T20331	PROELLER FAN	53	43T54319	BIMETAL-THERMO
22	43T19350	HANDLE	54	43T50307	HOLDER-THERMO
23	43T79305	DRAIN NIPPLE	60	43T97001	NUT
24	43T00673	PACKED VALVE COVER ASSEMBLY	61	43T49335	RUBBER CUSHION
25	43T63319	HOLDER,SENSOR	62	43T47001	NUT FLANGE
30	43T43583	CONDENSER ASSEMBLY	70	43T91336	CARTON-BOX
35	43T41534	COMPRESSOR	71	43T91348	FIBERBOARD UNDER ASSEMBLY
36	43T47403	BONNET, 6.35 DIA	72	43T91337	CUSHION PACKING UPPER
37	43T47404	BONNET, 9.52 DIA	73	43T91301	PE SHEET
38	43T47405	BONNET, 12.7 DIA			

13-4. Inverter Assembly
RAS-2M14U2AVG-E,-TR



Location No.	Part No.	Description	Location No.	Part No.	Description
701	43T6W305	PCB BOARD ASSY	712	43T50353	TEMPERATURE SENSOR
702	43T6W312	PCB BOARD ASSY	713	43T50360	TC-SENSOR(TO)
703	43T61325	BASE,PC BORAD	714	43T50334	TEMPERATURE SENSOR
704	43T61320	BASE, PC BOARD	715	43T50361	SENSOR-TEMP
705	43T6V418	PC BOARD ASSY(MCC-1646)-LED	716	43T50362	SENSOR-TEMP
706	43T60423	SERV-TERMINAL	718	43T63319	HOLDER,SENSOR
707	43T60427	TERMINAL BLOCK	719	43T63317	HOLDER,SENSOR
708	43T58339	REACTOR	720	43T60361	FUSE
709	43T60426	FUSE	721	43T63316	HOLDER,SENSOR
710	43T60425	FUSE HOLDER	722	43T63323	HOLDER,SENSOR
711	43T50352	TEMPERATURE SENSOR	723	43T63318	HOLDER SENSOR

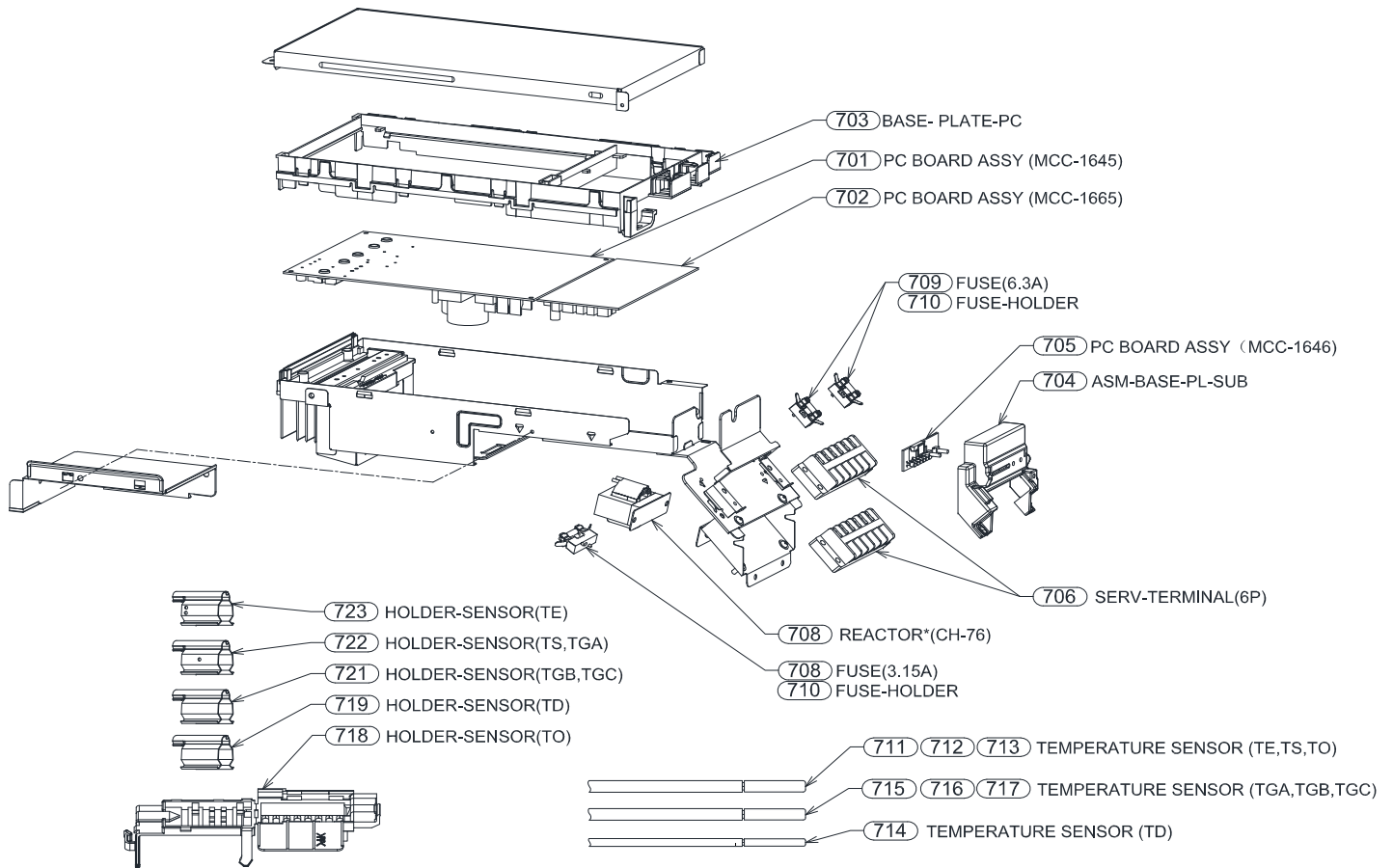
13-5. Inverter Assembly
RAS-2M18U2AVG-E,-TR



Location No.	Part No.	Description	Location No.	Part No.	Description
701	43T6W304	PCB BOARD ASSY	712	43T50353	TEMPERATURE SENSOR
702	43T6W311	PCB BOARD ASSY	713	43T50360	TC-SENSOR
703	43T61325	BASE,PC BORAD	714	43T50334	TEMPERATURE SENSOR
704	43T61320	BASE, PC BOARD	715	43T50361	SENSOR-TEMP
705	43T6V418	PC BOARD ASSY(MCC-1646)-LED	716	43T50362	SENSOR-TEMP
706	43T60423	SERV-TERMINAL	718	43T63319	HOLDER,SENSOR
707	43T60427	TERMINAL BLOCK	719	43T63317	HOLDER,SENSOR
708	43T58339	REACTOR	720	43T60361	FUSE
709	43T60426	FUSE	721	43T63316	HOLDER,SENSOR
710	43T60425	FUSE HOLDER	722	43T63323	HOLDER,SENSOR
711	43T50352	TEMPERATURE SENSOR	723	43T63318	HOLDER SENSOR

13-6. Inverter Assembly

RAS-3M18U2AVG-E,-TR



Location No.	Part No.	Description	Location No.	Part No.	Description
701	43T6W304	PCB BOARD ASSY	713	43T50360	TC-SENSOR(TO)
702	43T6W310	PCB BOARD ASSY	714	43T50334	TEMPERATURE SENSOR
703	43T61325	BASE,PC BORAD	715	43T50361	SENSOR-TEMP
704	43T61320	BASE, PC BOARD	716	43T50362	SENSOR-TEMP
705	43T6V418	PC BOARD ASSY(MCC-1646)-LED	717	43T50363	SENSOR-TEMP
706	43T60423	SERV-TERMINAL	718	43T63319	HOLDER,SENSOR
708	43T58339	REACTOR	719	43T63317	HOLDER,SENSOR
709	43T60426	FUSE	720	43T60361	FUSE
710	43T60425	FUSE HOLDER	721	43T63316	HOLDER,SENSOR
711	43T50352	TEMPERATURE SENSOR	722	43T63323	HOLDER,SENSOR
712	43T50353	TEMPERATURE SENSOR	723	43T63318	HOLDER SENSOR

TOSHIBA CARRIER (THAILAND) CO., LTD.