

Installation guide

# Pressure switch

## KP 15 with goldplated contacts



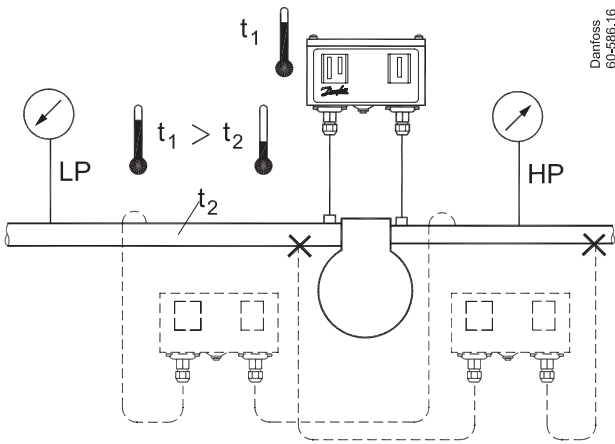
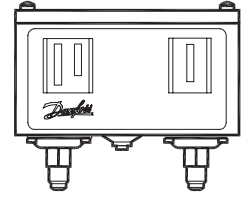
060R9505

060R9505

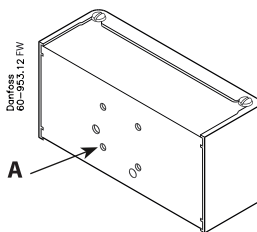
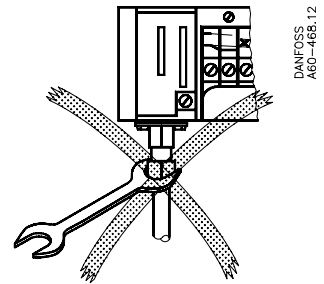
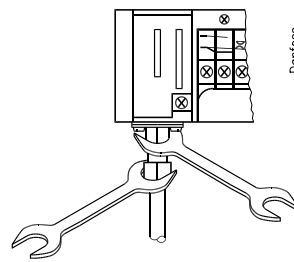
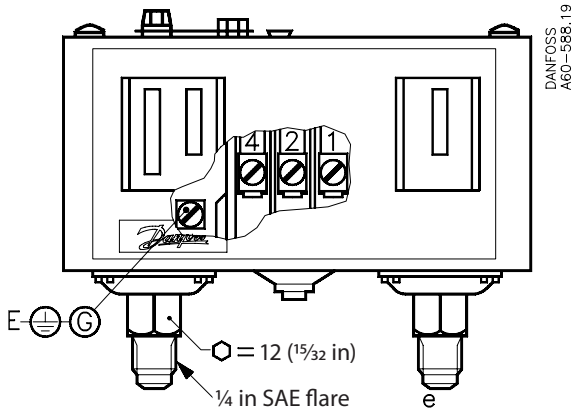
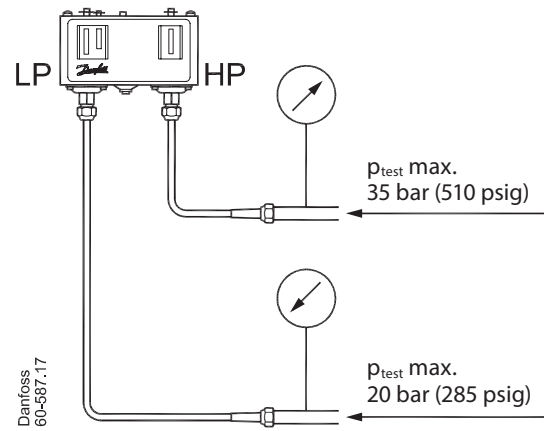
**Refrigerants:**

R22, R134a, R404A, R407A, R407C, R407F, R422B, R422D, R438A, R448A, R449A, R450A, R452A, R507A, R513A

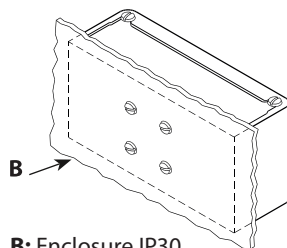
For complete list of approved refrigerants, go to <http://products.danfoss.com/all-products/>



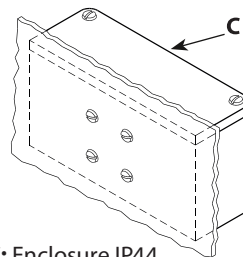
$t_1$  min. KP 15:  $-40\text{ }^{\circ}\text{C}$  ( $-40\text{ }^{\circ}\text{F}$ )  
 $t_1$  max. KP 15:  $65\text{ }^{\circ}\text{C}$  ( $149\text{ }^{\circ}\text{F}$ )



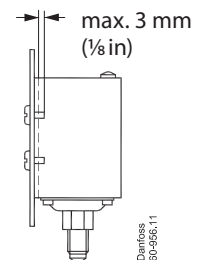
**A:** 8 – 32 UNC (M4)



**B:** Enclosure IP30 (EN 60529)



**C:** Enclosure IP44 (EN 60529)



Імпортер: ТОВ з іі "Данфосс ТОВ" 04080, Київ 80, п/с 168, Україна

Info for UK customers only: Danfoss Ltd., 22 Wycombe End, HP9 1NB, GB

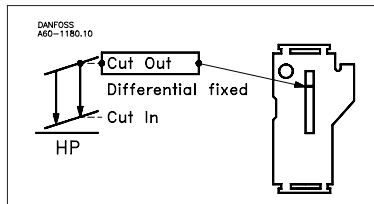
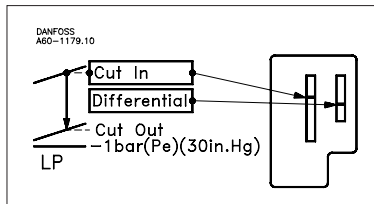
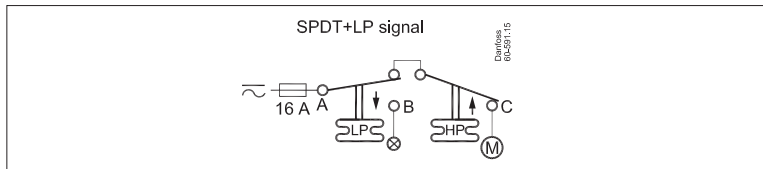


**CAUTION:**

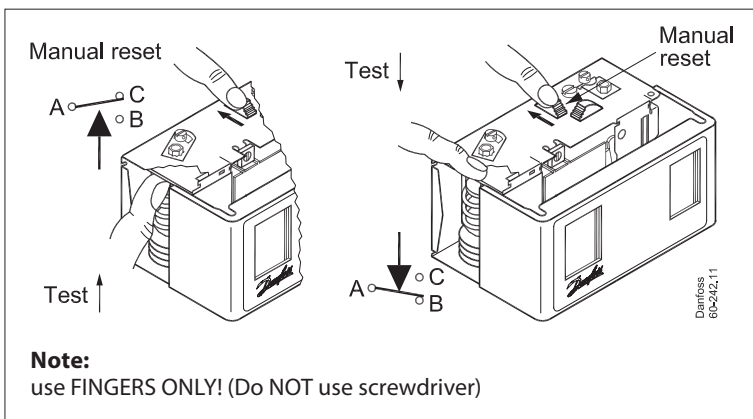
Disconnect power supply before wiring connections are made or service to avoid possible electrical shock or damage to equipment. Do never touch live parts with your fingers or with any tool.

**Contact load**

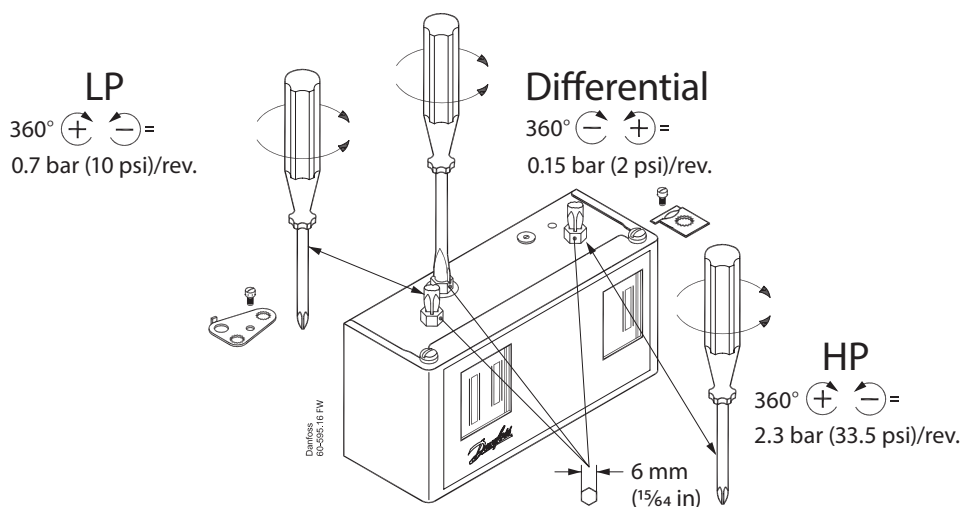
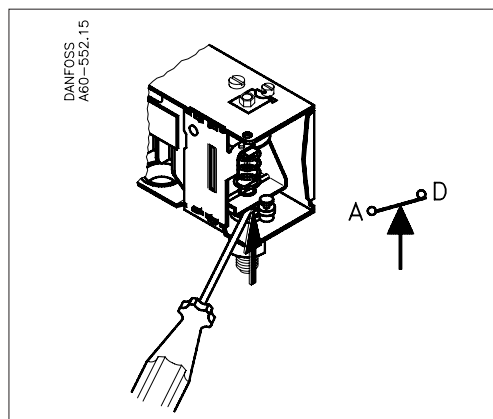
<b>Regulation</b>	Max.: 30 mA/30 V DC Min.: 1 mA/ 5 V DC
<b>Alarm (Au surface is burnt away)</b>	AC1: 10 A, 400 V AC3: 6 A, 400 V AC15: 4 A, 400 V DC13: 12 W, 220 V



**Manual trip function**



**Note:**  
use FINGERS ONLY! (Do NOT use screwdriver)



Type	Range	Max. working pressure PS/MWP
<b>KP 15</b>	LP: -0.2 – 7.5 bar HP: 8 – 32 bar	17 bar/245 psig 32 bar/465 psig
<b>KP 15 Reset</b>	LP: -0.2 – 7.5 bar HP: 8 – 32 bar	17 bar/245 psig 32 bar/465 psig