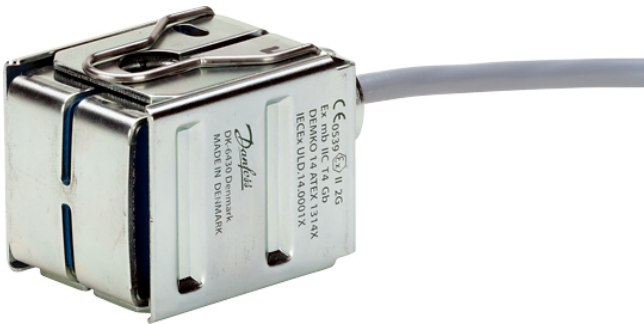


Data Sheet

Solenoid coil

Type BZ

For control in potentially explosive areas



BZ is a solenoid coil with ATEX / IECEx approval, applicable for zone 1 and 2 Ex environments. The coils are designed to be used with Danfoss solenoid valves.

Features

- Embedded coils with long lifetime, even under extreme conditions
- High reliability and long lifetime
- Easy mounting and dismantling
- Covering voltage and frequency:
 - 110 V 50 Hz, 120 V 60 Hz
 - 230 V 50 Hz, 240 V 60 Hz

1 Product specification

1.1 Technical data

Table 1: Technical data

Features	Description																																	
Mode of operation	Type 1 action (EN60730-1)																																	
Protection against electrical shock	Class I (EN60730-1)																																	
Humidity	0 - 100% RH																																	
Enclosure	IP65																																	
Pollution degree	1+2+3 (EN 60730-1)																																	
Max. altitude above sea level	2000 m																																	
Permissible voltage variation	110 / 120 V AC: -10%, +6% 230 / 240 V AC: -10%, +6%																																	
Rated impulse voltage	4 kV																																	
Over voltage category	III (EN60730-1)																																	
Nominal current	<table border="1"> <thead> <tr> <th rowspan="2"></th> <th colspan="2">Power consumption holding</th> <th colspan="2">Inrush current</th> </tr> <tr> <th>[W]</th> <th>[VA]</th> <th>[A]</th> <th>[ms]</th> </tr> </thead> <tbody> <tr> <td>110 V AC 50 Hz</td> <td>8.6</td> <td>16</td> <td>0.46</td> <td>0.034</td> </tr> <tr> <td>120 V AC 60 Hz</td> <td>9.0</td> <td>16</td> <td>0.43</td> <td>0.028</td> </tr> <tr> <td>230 V AC 50 Hz</td> <td>9.5</td> <td>18</td> <td>0.26</td> <td>0.034</td> </tr> <tr> <td>240 V AC 60 Hz</td> <td>9.0</td> <td>16</td> <td>0.26</td> <td>0.034</td> </tr> </tbody> </table>		Power consumption holding		Inrush current		[W]	[VA]	[A]	[ms]	110 V AC 50 Hz	8.6	16	0.46	0.034	120 V AC 60 Hz	9.0	16	0.43	0.028	230 V AC 50 Hz	9.5	18	0.26	0.034	240 V AC 60 Hz	9.0	16	0.26	0.034				
				Power consumption holding		Inrush current																												
	[W]	[VA]		[A]	[ms]																													
	110 V AC 50 Hz	8.6	16	0.46	0.034																													
	120 V AC 60 Hz	9.0	16	0.43	0.028																													
230 V AC 50 Hz	9.5	18	0.26	0.034																														
240 V AC 60 Hz	9.0	16	0.26	0.034																														
Duty rating	100%																																	
Ambient temperature	-40 °C – 45 °C																																	
Media temperature	-40 °C – 70 °C																																	
Insulation of coil windings	CA 200-1																																	
Connection	9 m 3-core flexible cable 3 x 0.75 mm ² (cable length maximum 15 m)																																	
Outside diameter sheet	Ø 6.6 mm																																	
Size of fuse in front of the coil	Thermal fuse 130 °C 110 / 120 V AC: 250 mA 230 / 240 V AC: 150 mA																																	
External earth core	Minimum area > 4 mm ²																																	

Classification EN 60079

Table 2: Classification EN 60079

Features	Description
Media	Gas, vapours and mists
Explosion proof area	Zone 2 and Zone 1
Product group	II
Product category	2G
Product niveau EPL	Gb
Explosion group	IIC
Temperature class	T4
Type of protection	mb
Exposed to SUN/UV light	No
Impact height	Max 0.4 m

NOTE:

Always install a fuse in front of the coil.

- Medium Time Lag
- Size see product label.

Must be protected against ultraviolet sources.

Moist-Clean only. The cable must be protected according to IEC 60079-14.

Solenoid coil, Type BZ

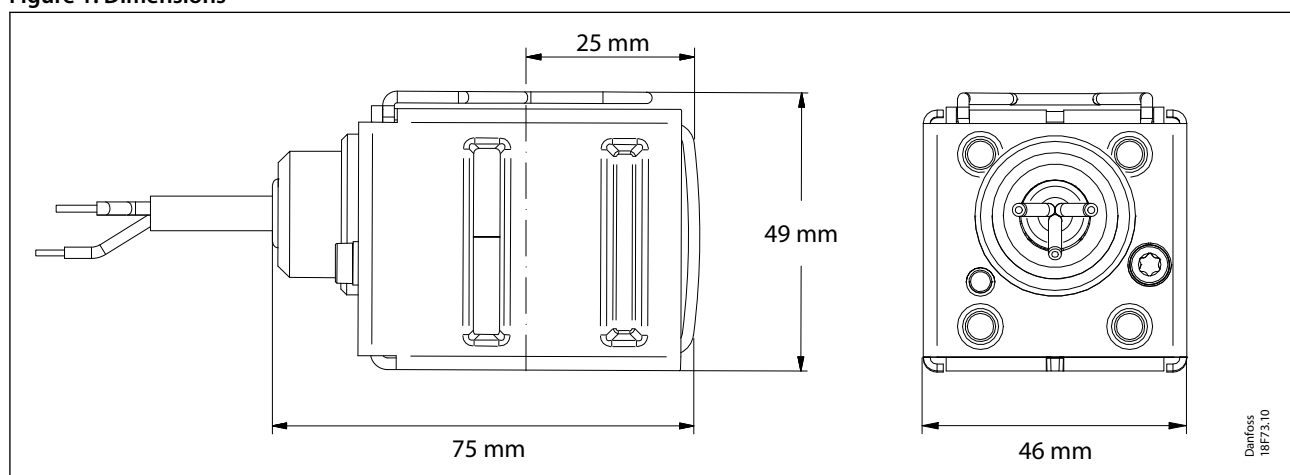
- Use only for system in compliance with ATEX. Ignition risk is evaluated in accordance to ATEX.
- Coil type BZ can be applied on systems with R290, R600, R600a and R1270 as the working fluid.
- For countries where safety standards are not an indispensable part of the safety system Danfoss recommend the installer to get a third party approval of the system containing flammable refrigerant.
- Please follow specific selection criteria stated in the datasheet for these particular refrigerants.

1.2 Installation, operation and maintenance

- Protect the coil against external impact.
- Protect the coil against direct sunlight and other ultraviolet sources.
- Disconnect the power before dismantling the coil.
- Always install a fuse in front of the coil.
 - DIN 41571-2
 - Rated breaking capacity 1500 A
 - Medium Time lag
 - Minimum voltage 250 V for AC and 24 V for DC.
- Install the coil and cable according to EN60079-14.
- The cable supplied with the solenoids must not be handled or flexed, and shall be protected against impact if the ambient temperature is below 0 °C .
- Installation and handling of the cable shall be done at temperature above 0 °C.
- The cable is only for fixed installation and the minimum bending diameter for fixed installation: $r \geq 55$ mm
- The cable jacket material is PVC.
- The cable operating temperature range is -40 - 90 °C.
- The product is provided with a yellow / green PE wire as well as an external earth terminal. These shall not be used simultaneously. If the external earth connection is connected to earth or bonding system, the Y / G earth wire must be cut off, isolated and not connected. If the Y / G wire is connected to earth, the external earth terminal must be left without any connection. For the external earth terminal the size of the earth core shall be minimum 4 mm² and the installer shall use a suitable method e.g. crimp terminal to ensure secureness of the external earth connection. The screw for external PE shall be mounted with 1.2 Nm \pm 0.2. The external earth conductors shall be physically secured close to the coil connection to ensure that the conductors cannot be readily loosened or twisted.
- The end user must ensure the earthing of the coil is maintained.
- Non-detachable cords method Z repairing not allowed. If the coil failed, it must be replaced by a new coil.

1.3 Dimensions and weights

Figure 1: Dimensions



Weight 1.0 kg

2 Ordering

2.1 Part program

Table 3: Ordering

Valve type	Coil type	Max. differential pressure (MOPD)	Supply voltage	Frequency	Code no.
		[bar]	[V]	[Hz]	
EVR 2-25 NC	BZ120C	21	110 120	50 60	018F4703
	BZ240C		230 208-240	50 60	018F4704
EVRA(T) 3-25	BZ120C	21	110 120	50 60	018F4703
	BZ240C		230 208-240	50 60	018F4704
EVR5(T) 3-20	BZ120C	21	110 120	50 60	018F4703
	BZ240C		230 208-240	50 60	018F4704
EVM NC and EVM NO	BZ120C	21	110 120	50 60	018F4703
	BZ240C		230 208-240	50 60	018F4704
EV220B 6-10 NC	BZ120C	20	110 120	50 60	018F4703
	BZ240C		230 208-240	50 60	018F4704
EV220B 12-22 NC	BZ120C	10	110 120	50 60	018F4703
	BZ240C		230 208-240	50 60	018F4704
EV220B 6-10 NO	BZ120C	10	110 120	50 60	018F4703
	BZ240C		230 208-240	50 60	018F4704
EV220B 15-50 NC	BZ120C	16	110 120	50 60	018F4703
	BZ240C		230 208-240	50 60	018F4704
EV250B	BZ120C	10	110 120	50 60	018F4703
	BZ240C		230 208-240	50 60	018F4704
EV224B	BZ120C	25	110 120	50 60	018F4703
	BZ240C		230 208-240	50 60	018F4704
EV227B	BZ120C	5	110 120	50 60	018F4703
	BZ240C		230 208-240	50 60	018F4704

3 Online support

Danfoss offers a wide range of support along with our products, including digital product information, software, mobile apps, and expert guidance. See the possibilities below.

The Danfoss Product Store



The Danfoss Product Store is your one-stop shop for everything product related—no matter where you are in the world or what area of the cooling industry you work in. Get quick access to essential information like product specs, code numbers, technical documentation, certifications, accessories, and more.

Start browsing at store.danfoss.com.

Find technical documentation



Find the technical documentation you need to get your project up and running. Get direct access to our official collection of data sheets, certificates and declarations, manuals and guides, 3D models and drawings, case stories, brochures, and much more.

Start searching now at www.danfoss.com/en/service-and-support/documentation.

Danfoss Learning



Danfoss Learning is a free online learning platform. It features courses and materials specifically designed to help engineers, installers, service technicians, and wholesalers better understand the products, applications, industry topics, and trends that will help you do your job better.

Create your Danfoss Learning account for free at www.danfoss.com/en/service-and-support/learning.

Get local information and support



Local Danfoss websites are the main sources for help and information about our company and products. Find product availability, get the latest regional news, or connect with a nearby expert—all in your own language.

Find your local Danfoss website here: www.danfoss.com/en/choose-region.

Spare Parts



Get access to the Danfoss spare parts and service kit catalog right from your smartphone. The app contains a wide range of components for air conditioning and refrigeration applications, such as valves, strainers, pressure switches, and sensors.

Download the Spare Parts app for free at www.danfoss.com/en/service-and-support/downloads.