

Datasheet

Operator Replacement Series Type **RA / RAV to RA2000**

Selection:



Identifiable mounting:
Large silver threaded nut

RA Series	RA2000	Choose any of the compatible operators below:	
 Valve mounted dial 013-7001 RA-6 013-7101 RA-6 "Armored"	 013G8070 Required adapter (For RA valve to RA2000 operator)	 013G8252	 013G2922
		 013G8564	 013G8562 (6' cap. tube) 013G8565 (16' cap. tube) 013G8568 (26' cap. tube)
RA Series	RA2000	Choose any of the compatible operators below:	
 Remote mounted dial 013-7002 RA33 013-7003 RA-36 013-7004 RA-66	 013G8070 Required adapter (For RA valve to RA2000 operator)	 013G8564	 013G8562 (6' cap. tube) 013G8565 (16' cap. tube) 013G8568 (26' cap. tube)

Identifiable mounting:
Black or grey metal band w/ flat screw holding the operator to the valve

RAV Series	RA2000	Choose any of the compatible operators below:	
 Valve mounted dial/sensor 013U8200 RAV "Built-in" 013U1100 RAVN "Built-in"	 013G8072 Required adapter (For RAV valve to RA2000 operator)	 013G8250	 013G8240 (tamper proof)
RAV Series	RA2000	Choose any of the compatible operators below:	
 Valve mounted dial/sensor 013U8202 RAV "Remote" 013U1102 RAVN "Remote"	 013G8072 Required adapter (For RAV valve to RA2000 operator)	 013G8252 or 013G2922 (tamper proof)	



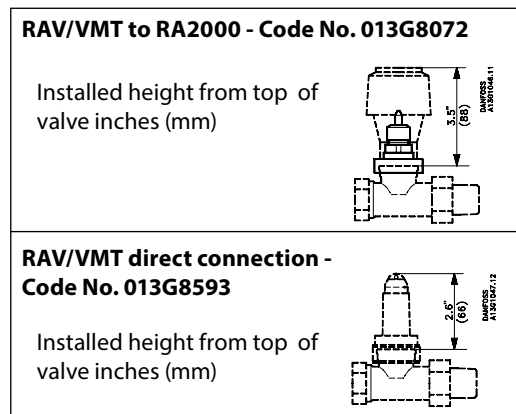
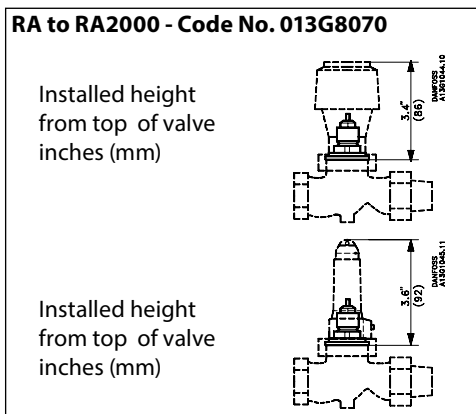
RAV/VMT Series		RA2000	
Separate remote sensor/dial		013G8593 Required adapter (For RAV/VMT valve to RA2000 operator)	013G8564 (6' + 6' cap. tube)
013U2241	013U7151 RAV-33		
013U2211 (BRAVO)	013G8222		
RAV/VMT Series		RA2000	Choose any of the compatible operators below:
Separate remote sensor/dial		013G8593 Required adapter (For RAV/VMT valve to RA2000 operator)	013G8562 (6' cap. tube)
013U2241	013U7151 RAV-33		013G8565 (16' cap. tube)
013U2211 (BRAVO)	013G8222		013G8568 (26' cap. tube)

Ordering Information:

Code No.	Type	Description
013G8070	RA service adapter	RA valve to RA 2000 operator adapter
013G8072	RAV/VMT service adapter	RAV/VMT valve to RA 2000 operator adapter
013G8593	RAV/VMT adapter	RA2000 wall mount RAV/VMT socket adapter

Note: Consult RA2000 Datasheet or website for additional technical information.

Dimensions:



Danfoss

Tel.: 1-888-DANFOSS (326-3677) | Fax: 416-352-5981 | www.heating.danfoss.us

Danfoss can accept no responsibility for possible errors in printed materials and reserves the right to alter its products without notice. All trademarks in this material are property of the respective companies. Danfoss and Danfoss logotype are trademarks of Danfoss A/S. All rights reserved.