

Installation guide

Solenoid valve

Type EV220A

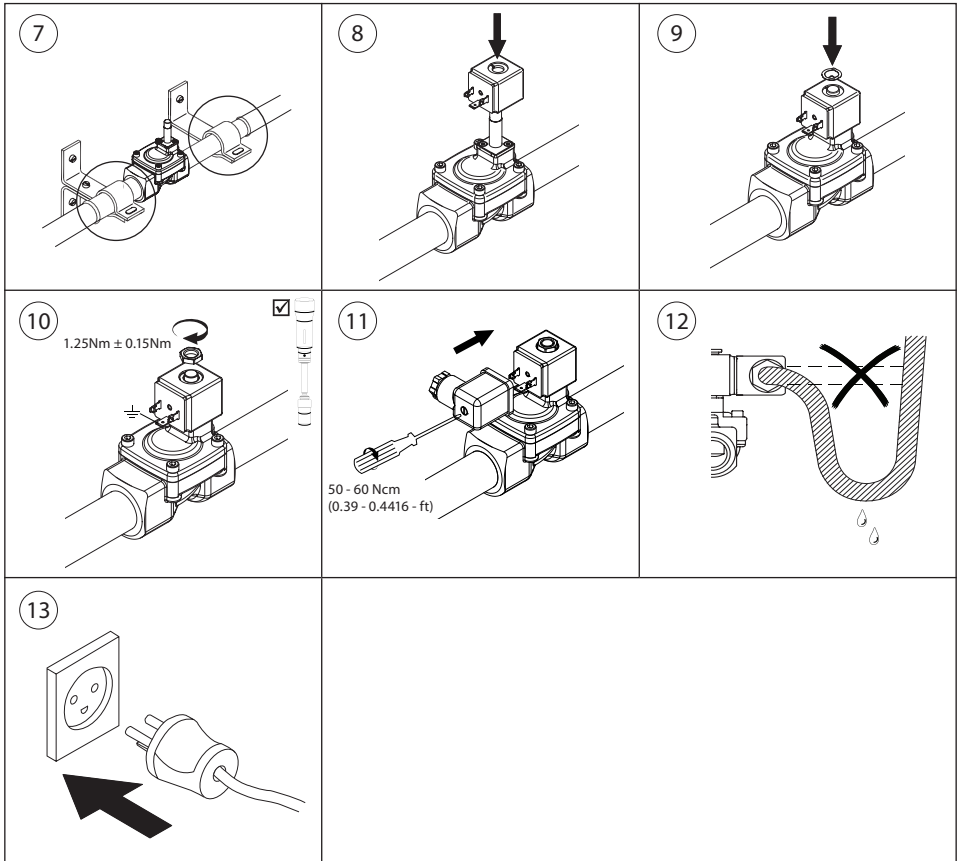
UK
CA

032R9271

032R9271

	<p><input checked="" type="checkbox"/></p> <p>≥ 50 mesh (≤ 297 microns)</p>
	<p><input checked="" type="checkbox"/></p> <p>ON OFF 24h</p>
<p>1</p>	<p>2</p> <p>ID</p>
<p>4</p> <p><input checked="" type="checkbox"/></p> <p>15° 15° Max 90° Max 90°</p>	<p>3</p> <p><input checked="" type="checkbox"/></p> <p>15° 15° Max 90° Max 90°</p>
<p>5</p>	<p>6</p>

Info for UK customers only: Danfoss Ltd, Oxford Road, UB9 4LH Denham, UK



Pressure diagram showing MTP (Max. Test Pressure) in Bar.

DN	Max. working pressure (MWP)	Max. test pressure (MTP)
	[Bar]	[Bar]
6-50	16	24

EN60730-2-8

Visit www.products.danfoss.com for further technical data
 Para más información, visite www.products.danfoss.es
 Rendez-vous sur le site www.products.danfoss.fr pour plus de données techniques