

Read all instructions thoroughly

INSTRUCTIONS

FAN SPEED CONTROLLER

Type RGE

SAGINOMIYA

IMPORTANT

Failure to read and follow all instructions carefully before installing or operating this Fan Speed Controller could cause personal injury and/or property damage. Save these instructions for future use.

NOTES FOR SAFETY

⚠ WARNING

- Before wiring and service, be sure to turn off power supply. Otherwise, may cause electrical shock.
- Before F.V.S. adjusting and operate the Changeover Switch ⑤, be sure to turn off power supply as it may cause electrical shock.

OUTLINE

The RGE controls Fan Motor speed of air cooled condenser of general purpose cold / cooling unit by phase control, and keeps a definite condensing pressure and makes it to drive stably. Further, the RGE has a noise filter, and is suitable to the following Council Directive of European Communities.

ELECTROMAGNETIC COMPATIBILITY & SAFETY FOR ELECTRICAL EQUIPMENT

- As for the RGE, Saginomiya declared for the above directives as follows.
- 1) Electromagnetic Compatibility - Directives : 89/336/EEC, 92/31/EEC, 93/68/EEC
 - Applicable Standards : Emission EN55011(1991) ClassA, Immunity EN50082-2 (1995)
 - 2) Safety for Electrical Equipment - Directives : 73/23/EEC, 93/68/EEC
 - Applicable Standards : IEC61010-1 (1990), A1(1992), A2(1995) [Overvoltage Category 2]

OPERATION (Fig-1)

The pressure of refrigeration system is introduced through Pressure Connector ⑬ to Bellows. By losing forth balance between Bellows and Coil Spring due to change of pressure, Operating Plate will be moved. Accordingly, resistance value of Slide Potentiometer will be changed by displaced Wiper ③, resulting in change of output voltage for Fan Motor by phase control.

MOUNTING (Fig-1, Fig-3)

Set the control Conduit Gland downward and install it in stable place like an unit panel wall. When piping, install the attached Copper Packing between the Flare connection and the connection of cooling unit side.

⚠ CAUTION

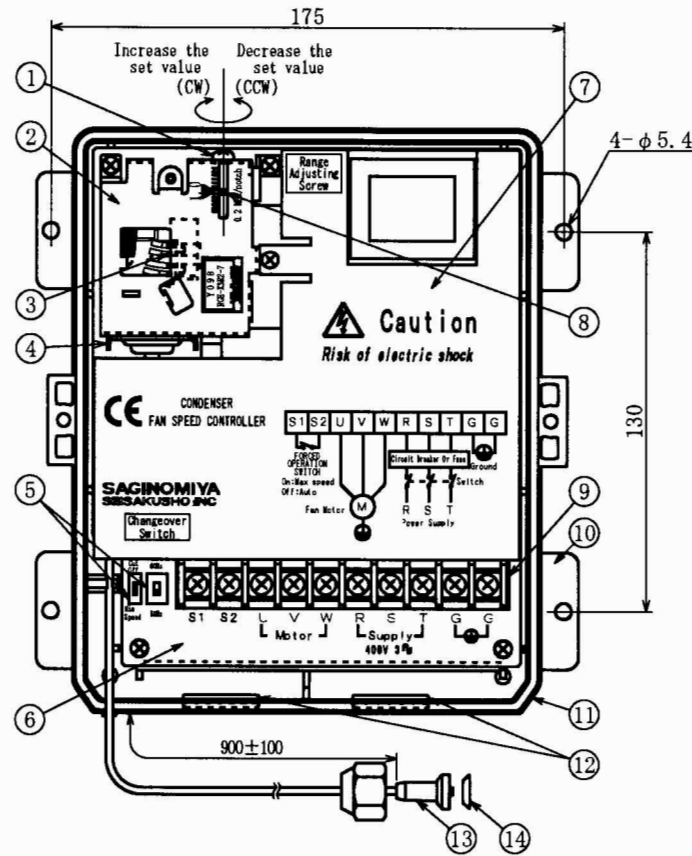
- Do not install at the place to require degrees of protection over IP54 Category 2 enclosures.
- Do not fold or break the Capillary Tube. Keep in large loop for extra length of Capillary Tube.
- Connection is Female Flare with Schrader ⑬. Connect to proper position where it can detect correct high pressure of refrigeration system, like aside of high side service valve. In case of connecting standard Flare Connection, be sure not to attach Schrader portion to Flare surface nor to blind the connector hole.
- Failure to install the Copper Packing at the connection portion cause leak of refrigerant gas.

SPECIFICATIONS

Catalog No.	F.V.S. Setting MPa		E. P. B. MPa	Refrigerants	Electrical Rating	Ambient Temp.	Weight kg	Function
	Factory Set	Adjusting Range Min. Max.						
RGE-Z3R2-7	1.0	0.8 2.8	Fixed 0.4	R134a	200V ₃ 3~	-20 to 50°C	1.4	Min. Speed / Cut Off Fixed approx. 35% 50Hz / 60Hz With Changeover switch Switch position on delivery Min. Speed and 50Hz
RGE-Z3R4-7	1.6			R22, R404A, R407C	0.2 to 5A			
RGE-X3R2-7	1.0			R134a	400V ₃ 3~			
RGE-X3R4-7	1.6			R22, R404A, R407C	0.2 to 5A			

Vibration: 1G or less in normal use. / Shock: 100G or less
 Special specification: F.V.S. Factory setting can be set the different points within the Adjusting Range on demand.

Fig-1 CONSTRUCTION



PARTS NAME

14	Copper Packing
13	1/4 Female Flare with Schrader
12	Bussing
11	Case
10	Bracket with Radiate Heat
9	Terminal Board
8	Range Setting Pointer
7	Protection Cover
6	PC Board
5	Changeover Switch
4	Bellows cap
3	Wiper
2	Main Frame
1	Range Adjusting Screw
No.	Parts Name

(Continued on back)

WIRING (Fig-3, Fig-4)

For wiring, as Terminal Board[®] has 10 terminal screws (M4×0.7×8), connect terminal mark R, S and T to power supply, and mark U, V and W to Fan Motor. Connect Grand terminal to the earth line. Motors that will be controlled by the RGE should not draw more than 5A per phase.

⚠ CAUTION

- Make sure to set the frequency of the frequency change-over switch at the frequency of the power supply.
- Check that the power supply voltage coincides with RGE allowable voltage.
- A Fan motor that will be controlled by the RGE should be a three phase induction motor having matched with three phase power supply, with electrical rating of 0.2 to 5A, with over heat protection thermostat, and to be suitable for phase controls.
- When connect with the power, make sure to use a Circuit Breaker or a Fuse with 5A or less as shown by the Fig-4.
- Wiring to the terminal Board[®] should be fixed properly by using a crimp-style terminal or the like. In case of using stranded wire do not contact to the other terminal. Otherwise it may result in malfunction.
- The Ground Terminal should be connected to the earth.
- When install the main body at a position out of the housing of unit, use a Conduit Pipe or a Wire Cover as shown on Fig-3 preventing human's hand etc from touching the wire.
- Make sure to input no-voltage contact signal to the terminal S1 and S2 after making the changeover switch position at Min.Speed when a forced operation switch is wired with these terminals. (Closecircuit : Full Speed Operation)
- Do not apply voltage, withstand voltage test voltage and insulation test voltage to the terminal S1 and S2.

ADJUSTING (Fig-1, Fig-2)

1) RANGE ADJUSTING

Turn the Range Adjusting Screw^① to clockwise (CW) for increasing the setting value, and to counterclockwise (CCW) for decreasing the setting value. Adjust it seeing the divisions of the Range Setting Pointer^②. (0.2MPa/1notch)

2) MODE CHANGE AT LOW SPEED

It can be selected with Changeover Switch^⑤ position for the following modes:

- Out Off : Fan Motor will be stopped when pressure decrease to value of 35% for R.M.S.
- Min.Speed : Fan Motor will be kept running at 35% for R.M.S. when pressure band increase more than E.P.B.

⚠ CAUTION

- Adjust the Range Setting Pointer^② within the movable range.
- Do not move the screw other than the Range Adjusting Screw and the Terminal Screws.

OPERATION CHECK

Install and calibrate the Product correctly and then check its operation to confirm correct function of the whole system.

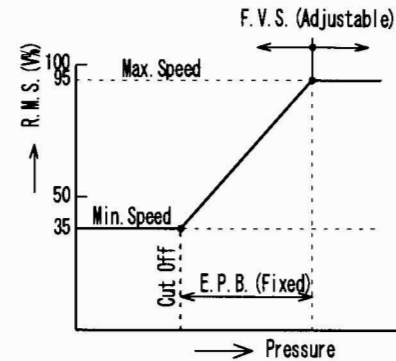
⚠ CAUTION

- It can not be used for ammonia refrigeration system.
- This product is not available for the system which apply pressure more than 4.7MPa because the rated maximum working pressure of this product is 4.7MPa. If the pressure more than the rated maximum working pressure is applied to this product, it causes transformation of characteristics or the destruction.

LIMIT ON APPLICATION

The product is not designed and manufactured for such equipment or system that is intended to be used under such circumstances as to relate to human life. For application requiring specially high reliability, please contact the Company first.

Fig-2 OPERATION CHARACTERISTICS



F.V.S. : FULL VOLTAGE SET POINT

The pressure at which the control delivers 95% out put effective voltage(RMS(V%)).

E.P.B. : EFFECTIVE PROPOTIONAL BAND

The decrease in pressure below the calibration set point required to transmit 35% of effective voltage(RMS(V%)).

Performance depends on the supply voltage, frequency and characteristics of the fan motor.

Fig-3 INSTALLING OUTSIDE OF SYSTEM UNIT HOUSING

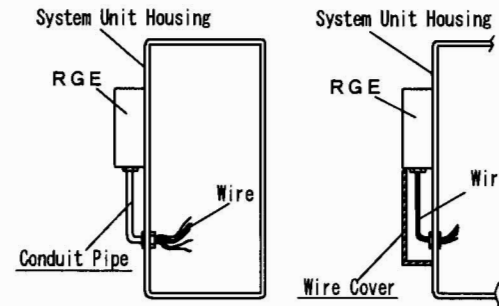
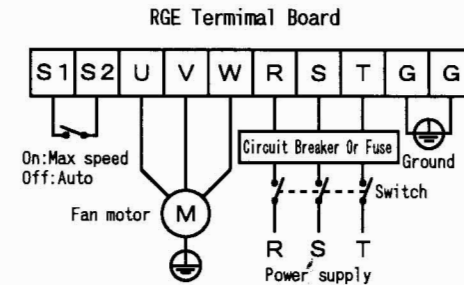


Fig-4 WIRING



SCOPE OF WARRANTY

Unless otherwise agreed by the parties, warranty period of the Product shall be one year after delivery. In case of failure attributable to the Company within such period, the Product shall be repaired or replaced, provided that any one of followings are out of the warranty:

1. Improper handling or application by user.
2. Modification or repair by other than the Company.
3. Any failure to be caused by acts of God, fire, storm or the like, war, riot or the like and other causes beyond the control of the parties concerned.

Warranty described in this paragraph means the warranty for the Product itself and does not include warranty for any consequential damage arising out of or occasioned by a defect or failure of the Product.

SAGINOMIYA
SEISAKUSHO, INC.

55-5, Wakamiya 2 chome, Nakano-ku,
Tokyo 165-8907 Japan
Tel: +81 3 3330-8161 Fax: +81 3 3330-8175
E-mail: inter@saginomiya.co.jp
URL: http://www.saginomiya.co.jp

JUL 2003 GE-31c

ENGLISH

Read all instructions thoroughly

INSTRUCTIONS

FAN SPEED CONTROLLER

Type RGE



IMPORTANT

Failure to read and follow all instructions carefully before installing or operating this Fan Speed Controller could cause personal injury and/or property damage. Save these instructions for future use.

NOTES FOR SAFETY

⚠ WARNING

- Before wiring and service, be sure to turn off power supply. Otherwise, may cause electrical shock.
- Before F.V.S. adjusting and operate the Changeover Switch ⑩, be sure to turn off power supply as it may cause electrical shock.

OUTLINE

The RGE controls Fan Motor speed of air cooled condenser of general purpose cold/cooling unit by phase control, and keeps a definite condensing pressure and makes it to drive stably.

Further, the RGE has a noise filter, and is suitable to the following Council Directive of European Communities.

ELECTROMAGNETIC COMPATIBILITY & SAFETY FOR ELECTRICAL EQUIPMENT

As for the RGE, Saginomiya declared for the above directives as follows.

- 1) Electromagnetic Compatibility
— Directives : 89/336/EEC, 92/31/EEC, 93/68/EEC
- 2) Safety for Electrical Equipment
— Directives : 73/23/EEC, 93/68/EEC

OPERATION (Fig-1)

The pressure of refrigeration system is introduced through Pressure Connector ⑮ to Bellows. By losing forth balance between Bellows and Coil Spring due to change of pressure, Operating Plate will be moved. Accordingly, resistance value of Slide Potentiometer will be changed by displaced Wiper ⑤, resulting in change of output voltage for Fan Motor by phase control.

MOUNTING (Fig-1, Fig-3)

Set the control Conduit Gland downward and install it in stable place like an unit panel wall. When piping, install the attached Copper Packing between the Flare

connection and the connection of cooling unit side.

⚠ CAUTION

- Do not install at the place to require degrees of protection over IP54 Category 2 enclosures.
- Do not fold or break the Caillary Tube. Keep in large loop for extra length of Capillary Tube.
- Connection is Female Flare with Schrader ⑮. Connect to proper position where it can detect correct high pressure of refrigeration system, like aside of high side service valve. In case of connecting standard Flare Connection, be sure not to attach Schrader portion to Flare surface nor to blind the connector hole.
- Failure to install the Copper Packing at the connection portion cause leak of refrigerant gas.

WIRING (Fig-3, Fig-4)

For wiring, as Terminal Board ④ has 5 terminal screws (M4 × 0.7 × 8), connect No.1 and No.2 to power supply, and No.3 and No.4 to Fan Motor. Connect Grand terminal to the earth line. Parallel connection shown in the Fig-4 in dot line is available but do not apply load exceeding rated current.

⚠ CAUTION

- A Fan Motor to be connected should be an induction motor or a shaded pole motor with built-in thermal protection having the electrical rating or less of each RGE model which is suitable for phase control.
- There is a case that the RGE does not control the fan speed of the motor having large angle of its leading current.
- When connect with the power, make sure to use a Circuit Breaker or a Fuse with the rated ampere or less of each RGE model as shown by the Fig-4.
- Wiring to the terminal Board ④ should be fixed properly by using a crimp-style terminal or the like. In case of using stranded wire do not contact to the other terminal. Otherwise it may result in malfunction.
- The Ground Terminal should be connected to the earth.
- When install the main body at a position out of the housing of unit, use a Conduit Pipe or a Wire Cover as shown on Fig-3 preventing human's hand etc from touching the wire.

ADJUSTING (Fig-1, Fig-2)

1) RANGE ADJUSTING

Turn the Range Adjusting Screw ⑦ to clockwise (CW) for increasing the setting value, and to counterclockwise (CCW) for decreasing the setting value.

Adjust it seeing the divisions of the Range Setting Pointer ⑧. (0.2MPa/1notch)

2) MODE CHANGE AT LOW SPEED

It can be selected with Changeover Switch ⑩ position

for the following modes:

- a) CutOff : Fan Motor will be stopped when pressure decrease to value of 45V% for R.M.S.
- b) Min. Speed : Fan Motor will be kept running at 45V% for R.M.S. when pressure band increase more than E.P.B.

⚠ CAUTION

- Adjust the Range setting Pointer ⑧ within the movable range.
- Do not move the screw other than the Range Adjusting Screw ⑦ and the Terminal Screws.

OPERATION CHECK

Install and calibrate the Product correctly and then check its operation to confirm correct function of the whole system.

⚠ CAUTION

- It can not be used for ammonia refrigeration system.
- This product is not available for the system which apply pressure more than 4.7MPa because the rated maximum working pressure of this product is 4.7MPa. If the pressure more than the rated maximum working pressure is applied to this product, it causes transformation of characteristics or the destruction.
- The cover should be placed during operation, otherwise sticking dust at the sliding resister wiper may cause unstable output, and resulted improper control.

LIMIT ON APPLICATION

The product is not designed and manufactured for such

SPECIFICATIONS

Catalog No.	F.V.S. Setting MPa			E.P.B. MPa	Refrigerants	Electrical Rating	Weight Kg	Function		
	Factory Set	Adjusting Range								
		Min.	Max.			Ampere				
RGE-Z1N2-5	1.1	0.8	2.8	Fixed 0.4	R134a	Single phase ~230V ^{+15%} / _{-20%} 50Hz	0.2 to 4A	0.5	Cut Off / Min. Speed Fixed approx. 45V% With Changeover switch	
RGE-Z1N4-5	1.9				R22,R404A,R407C		0.2 to 6A			
RGE-Z1P2-5	1.1				R134a					
RGE-Z1P4-5	1.9				R22,R404A,R407C		0.2 to 8A			
RGE-Z1Q2-5	1.1				R134a					
RGE-Z1Q4-5	1.9				R22,R404A,R407C					
RGE-Z1N2-6	1.1	0.8	2.8	Fixed 0.4	R134a	Single phase ~230V ^{+15%} / _{-20%} 60Hz	0.2 to 4A	0.5		Switch position on delivery Cut Off
RGE-Z1N4-6	1.9				R22,R404A,R407C		0.2 to 6A			
RGE-Z1P2-6	1.1				R134a					
RGE-Z1P4-6	1.9				R22,R404A,R407C		0.2 to 8A			
RGE-Z1Q2-6	1.1				R134a					
RGE-Z1Q4-6	1.9				R22,R404A,R407C					

Ambient Temperature of Fan Speed Controller Housing : - 20 to 55°C

Vibration : 2G or less in normal use. / Shock : 100G or less

Special specification : F. V. S. Factory setting can be set the different points within the Adjusting Range on demand.

equipment or system that is intended to be used under such circumstances as to relate to human life.

For application requiring specially high reliability, please contact the Company first.

SCOPE OF WARRANTY

Unless otherwise agreed by the parties, warranty period of the Product shall be one year after delivery.

In case of failure attributable to the Company within such period, the Product shall be repaired or replaced, provided that any one of followings are out of the warranty:

1. Improper handling or application by user.
2. Modification or repair by other than the Company.
3. Any failure to be caused by acts of God, fire, storm or the like, war, riot or the like and other causes beyond the control of the parties concerned.

Warranty described in this paragraph means the warranty for the Product itself and does not include warranty for any consequential damage arising out of or occasioned by a defect or failure of the Product.

F.V.S. : FULL VOLTAGE SET POINT

The pressure at which the control delivers 95% out put effective voltage. (R.M.S. (V%))

E.P.B. : EFFECTIVE PROPOTIONAL BAND

The decrease in pressure below the calibration set point required to transmit a 45% of effective voltage. (R.M.S. (V%))

Performance depends on the supply voltage, frequency and characteristics of the fan motor.

DEUTSCH

Einbauanleitung genau durchlesen!

Einbauanleitung

RGE

Drehzahlregler

SAGINOMIYA

WICHTIG

Nichtbeachtung oder Nichtbefolgen der Einbauanleitung dieses Drehzahlreglers kann Schaden an Personen und/oder Waren zur Folge haben. Anleitung zur späteren Verwendung aufbewahren.

SICHERHEITSANWEISUNGEN

⚠️ WARNUNG

- **Vor Verdrahtung oder Eingriff im System sicherstellen, dass keine Spannung anliegt. Nichtbeachten kann Elektroschock zur Folge haben.**
- **Vor Einstellung des F.V.S. oder Bedienung des Umschalters (10) sicherstellen, dass keine Spannung am Gerät anliegt. Nichtbeachten kann Elektroschock zur Folge haben.**

Anwendung

Der RGE regelt die Ventilator Drehzahl eines luftgekühlten Kondensators einer Kälte-/Klimaanlage durch Phasenanschnitt und hält dadurch die Kondensationstemperatur in einem eingestellten Bereich stabil. Zudem besitzt der RGE einen Entstörfilter und entspricht den folgenden EC-Direktiven.

Elektromagnetische Verträglichkeit & Sicherheit für elektrische Erzeugnisse

Saginomiya erklärt betreffend obenstehenden Richtlinien folgendes:

- 1) Elektromagnetische Verträglichkeit
— Direktiven : 89/336/EEC, 92/31/EEC, und Revision 93/68/EEC
- 2) Sicherheit für elektrische Erzeugnisse
— Direktive : 73/23/EEC, und Revision 93/68/EEC

Funktion (Fig-1)

Der Kätemittel-Systemdruck wirkt durch den Druckanschluss (15) auf den Balg. Das Gleichgewicht zwischen Balg und Balgfeder wird durch Druckänderung verändert, was zu einer Bewegung des Funktionsmechanismus führt. Dies bewirkt eine Widerstandsänderung des Potentiometers durch die geänderte Lage der Schleifkontakte (5). Dadurch Änderung der Ausgangsspannung für den

Ventilatormotor durch Phasenanschnitt.

Installation (Fig-1, Fig-3)

Kabeldurchführung nach unten montieren. Auf einer stabilen Fläche befestigen. Beim Anschluss der Kätemittelleitung darauf achten, dass die beiliegende Kupferdichtung zwischen den konischen Dichtflächen montiert wird.

⚠️ ACHTUNG

- Nicht an Orten installieren die Feuchtigkeitsschutz über IP54 verlangen.
- Kapillarrohr nicht knicken oder brechen, übergelagerte Länge zu einer grossen Schlaufe binden.
- Der Anschluss kätemittelseitig ist eine Konus-Überwurfmutter mit Schraderdrücker-Einsatz. An geeigneter Stelle hochdruckseitig des Systems anschliessen, es muss immer der anliegende Kondensationsdruck vorhanden sein, z. B. Hochdruck-Serviceventil. Bei einem Anschluss an einen Standardnippel (ohne Schrader) muss sichergestellt werden dass der Schraderdrücker nicht die Anschlussöffnung versperren kann.
- Ohne beiliegend montierte Kupferdichtung ist die Verbindung nicht dicht, Kätemittelverlust wäre die Folge!

Verdrahtung (Fig-3, Fig-4)

Zum Anschluss stehen auf dem Klemmbrett (4) 5 Klemmen (M4 x 0.7 x 8) zur Verfügung, N° 1 und 2 der Netzanschluss, N° 3 und 4 der Ventilatormotor. Es können auch Ventilatoren parallel angeschlossen werden, siehe gestrichelte Linie in Fig-4. Die maximal erlaubte Stromaufnahme darf jedoch nicht überschritten werden!

⚠️ ACHTUNG

- Die anzuschliessenden Motoren sollten Induktions- oder Spaltpolmotoren sein, mit eingebautem Überlastschutz, dessen Auslösung unter der max. Stromaufnahme des entsprechenden RGE Modells liegt, und müssen für Phasenanschnitt geeignet sein.
- In seltenen Fällen können Motoren einen vorverschobenen Phasen-Winkel aufweisen, möglicherweise kann das RGE solche Motoren nicht korrekt steuern.
- Anschluss mit Schutzschalter oder Sicherung mit der entsprechenden Amperezahl gemäss Tabelle 4 vorsehen.
- Die Anschlussdrähte müssen mittels Kabelschuhen oder ähnlichem einwandfrei festgezogen werden. Bei Verwendung von Litzendraht muss sichergestellt sein, dass keine losen Drähte die anderen Klemmen berühren können.
- Die Erdungsklemme muss mit dem Erdungskabel verbunden werden.
- Falls der Regler ausserhalb eines geschützten Schaltkastens montiert wird, ist das Anschlusskabel wie Fig-3 zeigt, vor Berührung zu schützen.

Einregulierung (Fig-1, Fig-2)

1) Bereichseinstellung

Die Einstellschraube (7) nach rechts (CW) gedreht, ergibt Erhöhung des Einstellpunkts, nach links (CCW) ergibt Absenken des Einstellpunkts.

Die Skala (8) erleichtert die Einstellung (1 Strich entspricht 0.2MPa)

2) Umschaltung Min. Drehzahl/ Abschalt

Mit dem Umschalter (10) kann folgende Funktion eingestellt werden:

- a) Min. Drehzahlabeschaltung : Der Ventilator wird abgeschaltet wenn Druck unter 45% R.M.S. fällt.
- b) Min. Drehzahlbegrenzung : Der Ventilator läuft auf 45% R.M.S. wenn Druck unter das E.P.B. fällt.

⚠️ ACHTUNG

- Die Einstellschraube nur innerhalb der Skala (8) verstellen.
- Keine anderen Schrauben als die Einstell- und Klemmschrauben verstellen.

⚠️

FUNKTIONSPRUEFUNG

Nach korrekter Installation und Einstellung des RGE Funktionsprüfung des Systems erforderlich.

⚠️ ACHTUNG

- Das Gerät ist nicht für Systeme mit Ammoniak einsetzbar.
- Das Gerät kann nicht in Systemen mit Drücken über 4.7 MPa eingesetzt werden, da der maximal geprüfte Arbeitsdruck 4.7MPa beträgt. Falls das Gerät mit höherem Druck als der max. Arbeitsdruck betrieben wird, führt dies zu einer Verformung oder Zerstörung des Geräts.
- Der Schutzdeckel muss unbedingt während des Betriebs montiert sein, andernfalls ist es möglich, dass

Spezifikationen

Katalog-N°	F.V.S. Einstellung MPa		E.P.B. MPa	Kätemittel	Elektrische Daten	Gewicht Kg	Funktion
	Werkseinst.	Einstellbereich					
		Min.	Max.		Ampere		
RGE-Z1N2-5	1.1	0.8	2.8	Fix 0.4	Einphasig ~230V ^{+15%} / _{-20%} 50Hz	0.2 to 4A	Abschalt / Min. Drehzahl (ca. 45% fix) mit Umschalter
RGE-Z1N4-5	1.9						
RGE-Z1P2-5	1.1						
RGE-Z1P4-5	1.9						
RGE-Z1Q2-5	1.1						
RGE-Z1Q4-5	1.9	0.8	2.8	Fix 0.4	Einphasig ~230V ^{+15%} / _{-20%} 60Hz	0.2 to 4A	Werkseitige Einstellung Umschalter Abschalt
RGE-Z1N2-6	1.1						
RGE-Z1N4-6	1.9						
RGE-Z1P2-6	1.1						
RGE-Z1P4-6	1.9						
RGE-Z1Q2-6	1.1						
RGE-Z1Q4-6	1.9						

Zulässige Umgebungstemperatur des Reglers : - 20 bis + 55°C

Vibration : 2G max. im Normalbetrieb. Schock : 100Gmax.

Sonderauführung : F.V.S.-Punkt-Werkseinstellung kann auf Anfrage innerhalb des Einstellbereichs gewählt werden.

zur Folge.

EINSATZGRENZEN

Dieses Produkt wurde nicht für Anwendungen entworfen und gebaut von denen menschliches Leben abhängt.

Bei Anwendungen, die besonders hohen Anforderungen stellen, unbedingt zuerst den Hersteller anfragen.

GARANTIEBEDINGUNGEN

Sofort nicht anders vereinbart, beträgt die Garantiezeit 1 Jahr ab Lieferdatum. Bei einem werksseitig verschuldeten Ausfall des Produkts während dieser Zeit kann dieses repariert oder ersetzt werden, ausser:

1. bei falschem Einsatz oder falscher Bedienung des Produkts durch den Anwender.
2. bei Veränderungen oder Reparatur durch andere als das Herstellerwerk.
3. bei Ausfall durch höhere Gewalt, Feuer, Sturm, Krieg, Unruhen oder ähnliche sowie andere ausserhalb der Kontrolle des Herstellers / Anwandlers liegende Ursachen.

Die oben beschriebene Garantie bezieht sich auf die Garantie des Produkts selbst eine Garantie für Folgeschäden durch einen Defekt oder Ausfall des Produkts ist ausgeschlossen.

F.V.S. : Vollspannungs-Einstellpunkt

Der Druck bei welchem der Regler 95% der Nominal-Ausgangs-Spannung abgibt. (R.M.S.(V%))

E.P.B. : Effektiv Proportional-Band

Das E.P.B. ist definiert als Druckabsenkung unter den eingestellten Sollwert der notwendig ist, um dem Motor 45% der Nennspannung zuzuführen. (R.M.S.(V%))

Leistung hängt von der Netzspannung, der Frequenz und der Ventilatorleistung ab.

FRANÇAIS

Lire attentivement les instructions !

Instructions de montage

RGE

Variateur électronique de vitesse

SAGINOMIYA

IMPORTANT

Le non-respect de ces instructions pour le variateur de vitesse peut entraîner des dommages à des personnes ou marchandises. Conserver les instructions pour une utilisation ultérieure.

CONSIGNES DE SECURITE

⚠ AVERTISSEMENT

- S'assurer avant toute intervention ou de câblage que l'appareil n'est pas sous tension. Risque d'électrochoc !
- S'assurer qu'il n'y a pas de tension sur les bornes avant de manipuler le sélecteur (10).

APPLICATION

Le RGE règle la vitesse du ventilateur d'un condenseur à air d'une installation de réfrigération/climatisation par le système de fractionnement de phase, il maintient la température de condensation stable sur un point de consigne.

Le RGE est muni d'un filtre de déparasitage et il correspond aux directives EC suivants:

COMPATIBILITÉ ÉLECTROMAGNÉTIQUE ET SÉCURITÉ POUR PRODUITS ÉLECTRIQUES

Saginomiya décline toute responsabilité concernant les directives mentionnées ci-dessus:

- 1) Compatibilité électromagnétique
 - Directives : 89/336/EEC, 92/31/EEC, 93/68/EEC
- 2) Sécurité pour produits électriques
 - Directives : 73/23/EEC, 93/68/EEC

FONCTIONNEMENT (Fig-1)

La pression du système agit par le raccord de pression (15) sur le soufflet. L'équilibre entre le soufflet et le ressort est stabilisé par la modification de la pression, ce qui entraîne un mouvement du mécanisme de fonction. La résistance du potentiomètre se trouve ainsi modifiée et par la nouvelle position des contacts glissants(5). De cela résulte une modification de la tension de sortie par fraction de phase.

INSTALLATION (Fig-1, Fig-3)

Monter le passage du câble vers le bas. Fixer sur une

surface stable. Faire attention lors du montage du raccord pression que le joint cuivre soit monté entre les surfaces coniques du raccord.

⚠ ATTENTION

- Ne pas monter dans des endroits où une classe de protection supérieure à IP54 est demandée.
- Ne pas plier ou casser le tube capillaire, enrouler le trop en une grande boucle.
- Le raccord côté pression réfrigérant est un écrou conique avec poussoir Schrader intégré. Raccorder à un endroit approprié du système qui se trouve toujours sous pression de condensation, p. ex. vanne de service haute pression. Veillez lors d'un raccordement sur un raccord standard (sans Schrader) que le poussoir ne puisse pas obstruer le passage du raccord.
- Le raccord ne peut pas être étanché sans le montage du joint cuivre, une fuite de réfrigérant en sera la conséquence !

CABLAGE (Fig-3, Fig-4)

5 bornes (M4 x 0.7 x 8) sont disponibles sur le bornier de raccordement (4). N° 1 et 2 l'alimentation du réseau, N° 3 et 4 le moteur ventilateur. Il est possible de raccorder des moteurs en parallèle, voir ligne pointillée e. Ne pas dépasser cependant l'intensité maximale prescrite.

⚠ ATTENTION

- Les moteurs à raccorder seront de préférence du type à induction ou "shaded pole" avec protecteur intégré, n'exécute pas la valeur max. du modèle RGE correspondant, et doivent être admis pour fraction de phase.
- Il existe des rares cas où des moteurs électriques possèdent une avance sur l'angle de la phase, dans ce cas, il est possible que le RGE ne peut pas contrôler ce type de moteur.
- Prévoir l'alimentation avec fusible ou protecteur, puissance selon modèle RGE, voir fig.4.
- Les fils de raccordement doivent être munis de cosses ou semblable pour assurer un bon serrage. Si des fils flexibles sont utilisés, s'assurer qu'aucune partie des fils puisse toucher les autres bornes.
- La borne de terre doit être reliée avec la mise à terre.
- Si le régulateur est monté à l'extérieur, non-protégé, les raccordements doivent être protégés selon fig.3.

RÉ GLAGE (Fig-1, Fig-2)

- 1) Réglage du point de consigne
Tourner la vis de réglage (7) à droite (CW) augmente la valeur de consigne, à gauche (CCW) baisse la valeur de consigne.
L'échelle (8) facilite le réglage (1 trait correspond

à 0.2MPa)

2) Sélecteur vitesse mini / déclenchement

Le sélecteur (10) peut actionner les fonctions suivantes :

- a) Déclenchement à vitesse minimale : Le ventilateur se déclenche si la pression descend en dessous de 45% R.M.S.
- b) Vitesse minimale : Le ventilateur continue à tourner à 45% R.M.S. si la pression descend plus en dessous de E.P.B.

⚠ ATTENTION

ATTENTION

- Déplacer la vis de réglage seulement dans le cadre de l'échelle.
- Ne pas toucher aux autres vis que la vis de réglage et de bornes.

ESSAI

⚠ Il est nécessaire d'effectuer un essai de fonctionnement après s'être installé et le réglage du système.

ATTENTION

- L'appareil n'est pas utilisable avec des systèmes au Ammoniac.
- L'appareil ne peut pas être utilisé dans des systèmes où la pression dépasse 4.7MPa, la pression max. de travail approuvée est de 4.7MPa. Une mise sous pression plus élevée que la pression de travail max. admise aura une déformation, voir la structure de l'appareil comme conséquences.
- Le couvercle de protection doit absolument être monté lorsque l'appareil est en service, sinon la poussière qui se déposera sur les résistances mobiles pourrait

entraîner une malfonction de l'appareil.

N° catalogue	Réglage F.V.S. MPa		E.P.B. MPa	Réfrigérant	Caractéristiques électriques	Poids Kg	Fonction			
	Réglage	Plage de ré								
		Min.	Max.		Ampère					
RGE-Z1N2-5	1.1	0.8	2.8	Fix 0.4	Monophasé ~230V ±20% 50Hz	0.2 to 4A	Déclenchement / vitesse mini. (env. 45% fix) avec sélecteur			
RGE-Z1N4-5	1.9							R22,R404A,R407C		
RGE-Z1P2-5	1.1								R134a	
RGE-Z1P4-5	1.9									R22,R404A,R407C
RGE-Z1Q2-5	1.1									
RGE-Z1Q4-5	1.9	R22,R404A,R407C								
RGE-Z1N2-6	1.1		0.8	2.8	Fix 0.4	Monophasé ~230V ±15% ±20% 60Hz	0.2 to 4A	Positionnement d'usine du sélecteur : Déclenchement		
RGE-Z1N4-6	1.9	R22,R404A,R407C								
RGE-Z1P2-6	1.1								R134a	
RGE-Z1P4-6	1.9									R22,R404A,R407C
RGE-Z1Q2-6	1.1									
RGE-Z1Q4-6	1.9	R22,R404A,R407C								

Température ambiante max. du variateur : - 20 à + 55°C

Vibration : 2G max. dans des conditions normales. Choc 100G max.

Exécution spéciale : Point de consigne F.V.S. réglé en usine dans la plage de réglage admis de l'appareil.

LIMITES DE L'UTILISATION

Ce produit n'a pas été conçu pour des applications liées à des vies humaines.

Consulter obligatoirement le constructeur pour des applications à très hautes exigences.

CONDITIONS DE GARANTIE

Sauf convention spéciale, la durée de la garantie sera 1 an à partir de la date de livraison. Si un défaut d'usine apparaît pendant cette période de garantie, l'usine procédera à la réparation ou à l'échange du produit, sauf si :

1. le produit n'a pas été correctement installé ou utilisé ;
2. le produit a subi des interventions ou modifications par d'autres que le constructeur.
3. le produit a été endommagé par force majeure (feux, tempête, guerres ou semblables) hors de la volonté de l'utilisateur ou du constructeur.

La garantie décrite ci-dessus se limite sur le produit lui-même, tout dommage allant plus loin que le remplacement du produit défectueux est précisément exclu.

F.V.S. : Point de consigne tension max.

La pression où le régulateur atteint 95% de la tension du réseau. (R.M.S. (V%))

E.P.B. : Bande proportionnelle effective

Le E.P.B. est défini en valeur de la baisse de pression en dessous du point de consigne pour alimenter le moteur avec 45% de la tension. (R.M.S. (V%))

Ce point dépend de la tension du réseau, de la fréquence et du moteur.

ITALIANO

Leggere attentamente tutte le istruzioni

ISTRUZIONI E INSTALLAZIONE

Tipo RGE

CONTROLLO VELOCITÀ VENTILATORI

SAGINO MIYA

IMPORTANTE

La mancata lettura e attenta applicazione delle istruzioni prima dell'installazione ed uso di questo controllo di velocità ventilatori, può essere causa di lesioni alle persone e/o danno alle cose.

Conservare queste istruzioni per uso futuro.

NOTE PER LA SICUREZZA

⚠ ATTENZIONE

- Prima di collegare e mettere in funzione, accertarsi di avere tolto tensione posizionando l'interruttore di linea in OFF. Diversamente, potreste essere oggetto di scariche elettriche.
- Prima di regolare il punto di taratura F.V.S. e di commutare il selettore funzioni (10), accertarsi di avere tolto tensione perché potrebbero verificarsi scariche elettriche.

DESCRIZIONE

Il regolatore a controllo di fase RGE, modula la velocità dei ventilatori su unità condensate ad aria e ne mantiene costante la predefinita pressione di condensazione ottimizzandone il funzionamento. Il RGE, è provvisto di filtro antidisturbo per soddisfare le normative della Comunità Europea.

DIRETTIVE COMPATIBILITÀ ELETTROMAGNETICA E BASSA TENSIONE

La SAGINO MIYA dichiara che il regolatore RGE soddisfa le seguenti normative

- 1) Compatibilità elettromagnetica
Direttiva 89/336/EEC-92/31/EEC-93/68/EEC
- 2) Bassa tensione Direttiva 73/23/EEC-93/68/EEC

FUNZIONAMENTO (Fig.1)

La pressione del refrigerante è trasmessa al soffiello tramite il connettore (15). La perdita di equilibrio tra la forza della molla e la pressione al soffiello dovuta ad un cambiamento della pressione, causa il movimento della leva di azionamento. Di conseguenza, il cursore (5) spostandosi sul potenziometro a scorrimento ne modifica il valore della resistenza con relativa variazione della tensione di uscita al motore del ventilatore.

MONTAGGIO (Fig.1, Fig.3)

Posizionare il controllo con il passacavo rivolto verso il basso e fissarlo su una superficie rigida. Inserire la guarnizione in rame tra l'attacco flare e il maschio sull'unità condensante.

⚠ ATTENZIONE

- Non utilizzare il controllo per applicazioni che richiedano una protezione superiore all'IP54.
- Non piegare o rompere il capillare, avvolgere in larghe spire la lunghezza eccedente.
- L'attacco è flare femmina con schrader. Collegarsi in modo da rilevare la corretta pressione del sistema refrigerante; ad esempio sul lato alta pressione del rubinetto di servizio. Nel caso di collegamento a connettore flare standard, accertarsi che lo spillo aprivolva schrader non ostruisca il passaggio del refrigerante.
- Omettere l'impiego della guarnizione in rame ha come conseguenza la perdita del gas refrigerante.

COLLEGAMENTI (Fig.3, Fig.4)

Per i collegamenti elettrici, la morsettiere (4) ha 5 viti terminali (W4 X 0.7 X 8). Collegare l'alimentazione ai morsetti 1 e 2 ed il motore del ventilatore ai morsetti 3 e 4. Collegare il morsetto di terra alla linea di terra. Il collegamento in parallelo mostrato nella figura a sinistra con linea tratteggiata, è possibile purchè il carico applicato non ecceda la portata dichiarata.

⚠ ATTENZIONE

- Il motore del ventilatore, deve essere di tipo ad induzione o a poli schermati con protezione termica incorporata. I valori di targa devono essere uguali o inferiori a quelli del rispettivo regolatore RGE, ed il motore deve essere idoneo al controllo di fase.
- Nel caso il motore abbia eccezionalmente un forte anticipo di corrente, si può verificare un non corretto controllo della velocità.
- Alimentare il regolatore tramite interruttore magneto-termico o fusibile con portata uguale o inferiore al rispettivo modello RGE come indicato in Fig.4.
- Il collegamento alla morsettiere (4) deve essere effettuato in maniera appropriata, accertandosi che non vi siano falsi contatti che potrebbero essere causa di malfunzionamento.
- Il morsetto di terra deve essere collegato alla terra.
- Quando il regolatore è installato all'esterno dell'unità, utilizzare una tubazione o una canalina come illustrato in Fig.3 per prevenire il contatto con i cavi elettrici.

REGOLAZIONI (Fig.1, Fig.2)

1) CAMPO DI REGOLAZIONE

Girare le vite di regolazione (7) in senso orario (CW) per aumentare la taratura, ed in senso antiorario (CCW) per diminuirla.

Tarare riferendosi alle divisioni del campo di taratura

(8) (0.2MPa ogni tacca)

2) SELEZIONE FUNZIONI

Il selettore funzioni permette di optare per uno dei seguenti modi:

- a) Cut Off: Il motore si arresta quando la pressione scende al 45% della tensione effettiva (R.M.S)
- b) Min. Velocità: Il motore continua a girare ad una minima velocità anche se la pressione diminuisce oltre il valore della banda proporzionale

⚠ ATTENZIONE

- Regolare l'indice di puntamento entro il campo di taratura (8)
- Non rimuovere viti che non siano quella di taratura e della morsettiere

VERIFICA DEL FUNZIONAMENTO

Installate e regolate il Prodotto correttamente e successivamente verificatene il suo funzionamento per confermare il corretto andamento dell'intero sistema

⚠ ATTENZIONE

- Non può essere impiegato su macchine o impianti che utilizzino l'ammoniaca come refrigerante.
- La massima pressione di esercizio per il regolatore RGE è di 4.7MPa. Non può pertanto essere utilizzato su unità che operino con pressioni superiori. La non osservanza di quanto sopra modifica le caratteristiche del controllo o ne causa il danneggiamento.
- Accertarsi di riposizionare la copertura per evitare che l'eccesso di polvere sulla resistenza variabile sia causa di errati valori di tensione in uscita con conseguente non corretto funzionamento del regolatore.

SPECIFICHE TECNICHE

Nr. di catalogo	Taratura F.V.S. MPa		E.P.B. MPa	Refrigerante	Portata contatti	Peso Kg	Funzioni		
	Pre taratura	Campo di regolazione							
	Min.	Max.			Ampere				
RGE-Z1N2-5	1.1	0.8	2.8	Fisso 0.4	R134a R22,R404A,R407C	Monofase ~230V ^{+15%} _{-20%} 50Hz	0.2 to 4A 0.2 to 6A 0.2 to 8A	0.5 0.58	Cut Off / Min. Velocità' (Fisso circa 45V%) con Selettore
RGE-Z1N4-5	1.9								
RGE-Z1P2-5	1.1								
RGE-Z1P4-5	1.9								
RGE-Z1Q2-5	1.1								
RGE-Z1Q4-5	1.9								
RGE-Z1N2-6	1.1	0.8	2.8	Fisso 0.4	R134a R22,R404A,R407C	Monofase ~230V ^{+15%} _{-20%} 60Hz	0.2 to 4A 0.2 to 6A 0.2 to 8A	0.5 0.58	Posizione selettore alla consegna: Cut Off
RGE-Z1N4-6	1.9								
RGE-Z1P2-6	1.1								
RGE-Z1P4-6	1.9								
RGE-Z1Q2-6	1.1								
RGE-Z1Q4-6	1.9								

Temperatura ambiente al contenitore: -20 a 55°C

Vibrazioni: 2G o meno in uso normale / Shock: 100G o meno

Richieste speciali: La pretaratura in fabbrica può essere effettuata ai valori desiderati entro il campo di regolazione.

LIMITI APPLICATIVI

Il Prodotto non è progettato e costruito per applicazioni su unità o sistemi che possono essere utilizzati in circostanze tali da mettere in pericolo la vita umana. Per applicazioni che necessitano di una elevata affidabilità, richiedere prima al Costruttore.

VALIDITÀ DELLA GARANZIA

Se non diversamente concordato tra le parti, il termine di garanzia del Prodotto è di un anno dalla data della consegna.

Nel caso in cui entro tale termine si manifestassero difetti attribuibili al Costruttore, il Prodotto sarà riparato o sostituito a meno che non si siano verificate le seguenti condizioni:

- 1 uso o applicazione impropria
- 2 modifiche o riparazioni da parte di terzi
- 3 difetto conseguente a causa di forza maggiore, incendio, temporale, guerra, sommossa o qualsiasi altra causa al di fuori del controllo delle parti interessate.

La garanzia descritta in questo paragrafo si riferisce al Prodotto in se, e non comprende i danni conseguenti al mancato funzionamento del Prodotto.

F.V.S.: PUNTO DI TARATURA

La pressione alla quale il controllo eroga in uscita il 95% della tensione effettiva. (R.M.S. (V%))

E.P.B.: BANDA PROPORZIONALE

La riduzione di pressione al di sotto del punto di taratura: richiesta per fornire in uscita il 45% della tensione effettiva. (R.M.S. (V%))

Le prestazioni del regolatore sono in funzione della tensione d'alimentazione applicata, della frequenza e delle caratteristiche del motore.

ESPAÑOL

LEER TODAS ESTAS INSTRUCCIONES CON ATENCIÓN

Instalación e Instrucciones

Tipo RGE

CONTROLADOR VELOCIDAD VENTILADORES

SAGINOMIYA

IMPORTANTE

Dejar de leer y de seguir cuidadosamente todas estas instrucciones, antes de instalar o hacer funcionar este Controlador de Velocidad Ventiladores, podna causar daños y/o perjuicios adicionales.
Conservar estas instrucciones para necesidades futuras.

NOTAS PARA SEGURIDAD

AVISO

- Antes de cablear y usar, asegurarse de desconectar la tensión de alimentación. De lo contrario, podrían recibirse descargas eléctricas.
- Antes de ajustar F.V.S. y de accionar el Conmutador (10), asegurarse de desconectar la tensión de alimentación, pues podrían recibirse descargas eléctricas.

DESCRIPCIÓN

Los RGE controlan la velocidad de los motores de condensadores enfriados por aire, en unidades enfriadoras de uso general, por medio del control de fase, con lo que se mantiene la presión de condensación determinada, con un funcionamiento estable.
 Además, el RGE tiene un filtro anti-ruido, y cumple con las siguientes Directrices de la Comunidad Europea.

COMPATIBILIDAD ELECTROMAGNÉTICA Y SEGURIDAD PARA EL EQUIPO ELÉCTRICO

- Para el RGE, "SAGINOMIYA" declara lo siguiente en relación a estas directrices:
- 1) Compatibilidad electromagnética
 Directriz apropiada: 89/336/EEC, 92/31/EEC, 93/68/EEC
 - 2) Seguridad para el equipo eléctrico
 Directriz apropiada: 73/23/EEC, y Revisión 93/68/EEC

FUNCIONAMIENTO (Fig-1)

La presión del sistema de refrigeración se introduce a través del conector de presión (15) a los fuelles. La pérdida del equilibrio entre fuelle y muelle, debido a cambio de presión, hará mover la Placa de funcionamiento.
 Por consiguiente, el valor de la resistencia del Potenciómetro cursor variará al desplazarse el Contacto deslizante (5) originándose un cambio en el voltaje de salida para el Motor del Ventilador, por

control de fase.

MONTAJE (Fig-1, Fig-3)

Situar el prensaestopas del control hacia abajo y fijarlo en un sitio estable como con un tablero en la pared.
 △ Después, conectar los tubos, colocando la estopa de cobre que se incluye entre la conexión abocardada y la conexión de la unidad enfriadora.

ADVERTENCIA

- No montarlo en sitios que requieran grados de protección superiores a IP54.
- No doblar o romper el tubo capilar. Evitar curvas cerradas en el tubo capilar, en caso de longitudes extras.
- La conexión es con tuerca hembra abocardada, con depresor. Conectarla adecuadamente, donde pueda detectar la presión de Alta del sistema de refrigeración, como el lado de Alta de una válvula de servicio. Si la conexión es del tipo de Conexión Standard abocardada, asegurarse de no unir el Depresor a la superficie abocardada ni de obstruir el orificio del conector.
- Fallos en la colocación de la estopa de cobre al conector, originará fugas del gas refrigerante.

CABLEADO (Fig-3, Fig-4)

Siendo que la placa de Bornes (4) tiene 5 tornillos terminales (M4 x 0.7 x 8) conectar el N° 1 y 2 a la línea de entrada, y N° 3 y 4 al Motor Ventilador. Conectar también el toma-tierra a la línea de tierra. La conexión en paralelo ilustrada con línea de puntos en la figura de la izquierda es también posible, pero no aplicar una carga superior a la capacidad de los contactos.

ADVERTENCIA

- El motor del Ventilador a conectar, ha de ser un motor de inducción o un motor de polos sombreados (con bobina de arranque), con térmico de protección incorporado y que tenga la capacidad de contactos (o menos) de cada modelo RGE, lo que es adecuado para el control de fase.
- Puede ocurrir que el RGE no controle la velocidad del ventilador, en el caso que éste tenga un gran ángulo de corriente avanzada.
- Al conectar a la corriente, asegurarse de utilizar un Disyuntor o un Fusible con el valor en amperios (o menos) de cada modelo RGE, tal como señalado en la Fig-4
- Las conexiones a la Placa de Bornes (4), se han de fijar convenientemente por medio de un terminal rizado o similar. Si se usa cable trenzado, no hacer contacto con el otro terminal. De otro modo, podría resultar en un mal funcionamiento.
- El borne toma-tierra ha de conectarse a tierra.
- Cuando se instale el cuerpo principal en una posición exterior a la envolvente de la Unidad, usar un tubo Conductor o un Alambre Cubierto, según Fig-3 evitando el contacto de las manos, etc. con el alambre.

AJUSTE (Fig-1, Fig-2)

1) AJUSTE DE ESCALA

Girar el Tornillo de Ajuste de Escala (7) en sentido

igual al de las agujas del reloj (CW), para aumentar el ajuste, y en sentido contrario al de las agujas del reloj (CCW) para disminuir el ajuste. Ajustarlo mirando las divisiones del Indicador de Ajuste de Escala (8). (0.2MPa/1 muesca).

2) MODO DE CAMBIO A VELOCIDAD BAJA

Se puede seleccionar según la posición del Interruptor Conmutador para los modos siguientes:

a) Desconexión: El Motor del Ventilador parará cuando la presión baje a un valor de 45 (V%) para R.M.S.

△ b) Velocidad mínima: El Motor del Ventilador se mantendrá funcionando a 45 (V%) cuando la presión disminuya más que E.P.B.

ADVERTENCIA

- Mover el Indicador de Ajuste de Escala, dentro de la escala móvil.
- No actuar sobre otros tornillos que no sean el Tornillo de Ajuste los Tornillos Terminales.

COMPROBACIÓN DE FUNCIONAMIENTO

△ Después de instalar y calibrar el Aparato correctamente, verificar su funcionamiento, para confirmar el correcto funcionamiento de todo el sistema.

ADVERTENCIA

- No puede ser utilizado en sistemas de Refrigeración de Amoniaco.
- Este aparato no está disponible para sistemas con presiones superiores a 4.7MPa., puesto que la presión máxima de trabajo fijada para este producto es 4.7MPa. Si se aplica una presión superior a la indicada, se producirá cambios en sus características o su destrucción.
- La cubierta o tapa del control debe estar colocada durante el funcionamiento pues si no, el polvo pegado al contacto de la resistencia deslizante, puede producir una salida inestable, con el resultado de control impropio.

ESPECIFICACIONES

Catalog-N°	Ajuste F.V.S. MPa		E.P.B. MPa	Refrigerante	Capacidad de Contactos	Peso Kg	Función
	Regulación en	Escala ajustable					
		Min. Max.			Amperios		
RGE-Z1N2-5	1.1	0.8 2.8	Fijado 0.4	R134a	Single phase ~230V ^{+15%} / _{-20%} 50Hz	0.2 to 4A	Desconectado / Velocidad Min. (Fijado aprox 45%) con interruptor Conmutador Posición del interruptor a la entrega: Desconectado
RGE-Z1N4-5	1.9			R22,R404A,R407C			
RGE-Z1P2-5	1.1			R134a			
RGE-Z1P4-5	1.9			R22,R404A,R407C			
RGE-Z1Q2-5	1.1			R134a			
RGE-Z1Q4-5	1.9	R22,R404A,R407C					
RGE-Z1N2-6	1.1	0.8 2.8	Fijado 0.4	R134a	Single phase ~230V ^{+15%} / _{-20%} 60Hz	0.2 to 4A	
RGE-Z1N4-6	1.9			R22,R404A,R407C			
RGE-Z1P2-6	1.1			R134a			
RGE-Z1P4-6	1.9			R22,R404A,R407C			
RGE-Z1Q2-6	1.1			R134a			
RGE-Z1Q4-6	1.9			R22,R404A,R407C			

Temperatura Ambiente en la caja del Controlador Velocidad Ventiladores: - 20 a 55°C

Vibración: 2G o menos, en uso normal / Choque: 100G o menos.

Característica especial: Bajo demanda, el ajuste en Fábrica F.V.S. puede variarse a diferentes puntos, dentro de la Escala de Ajuste del control.

LÍMITES DE USO

Este aparato no ha sido diseñado y construido para determinado equipo o sistema cuyo propósito sea utilizarlo en circunstancias que afecten la vida humana. En aquellas aplicaciones que requieran alta confiabilidad, ponerse en contacto con la Compañía, primero.

ALCANCE DE GARANTÍA

A menos que haya sido acordado por las partes, el período de garantía será de un año o después de la entrega.

En caso de avería atribuible a la Compañía, dentro de dicho período de tiempo, el Producto será reparado o sustituido, a menos que por alguno de los siguientes factores esté fuera de garantía:

1. Aplicación o manipulación impropia, por el usuario.
2. Modificación o reparación por otros que no la Compañía.
3. Cualquier fallo originado por acción de Dios, fuego, tormentas o similar, guerra, desorden o similar u otras causas fuera del control de las partes involucradas.

La garantía descrita en este párrafo, se refiere sólo a la garantía del propio Producto y no incluye garantía por ningún perjuicio consiguiente que se presente después u ocasionado por un defecto o fallo del Producto.

F.V.S.: PUNTO DE AJUSTE TENSION MAX.

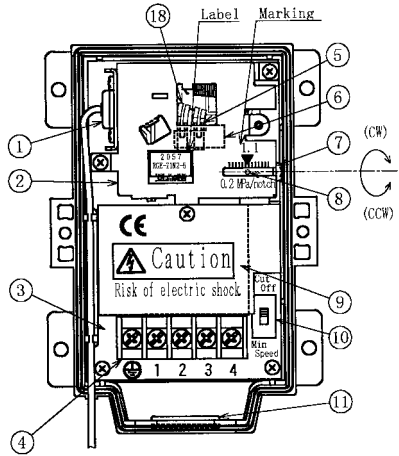
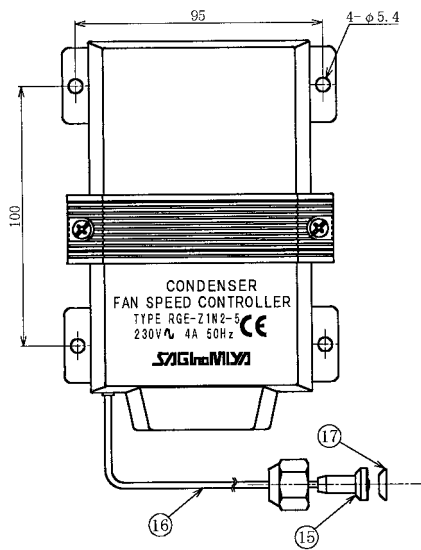
Es la presión con la que el control libera el 95% del voltaje efectivo de salida. (R.M.S. (V%))

E.P.B.: BANDA PROPORCIONAL EFECTIVA

Es la caída de presión, por debajo de la calibración de ajuste necesaria para transmitir un 45% del punto de voltaje efectivo. (R.M.S. (V%))

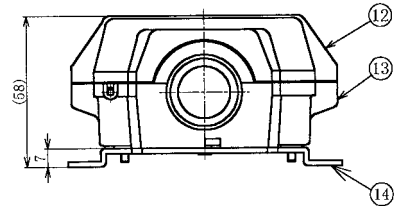
La ejecución depende del voltaje de entrada, de la frecuencia y de las características del motor del ventilador.

Fig-1 Construction / Konstruktion / Construction / Costruzione / Construcción



Inside View (Type RGE-Z1N2-5)
 Innensicht (Modell RGE-Z1N2-5)
 Vue de l'intérieur (modèle RGE-Z1N2-5)
 Vista interna (tipo RGE-Z1N2-5)
 Vista Interior (Modelo RGE-Z1N2-5)

RGE-Z1N...



RGE-Z1P..., RGE-Z1Q...

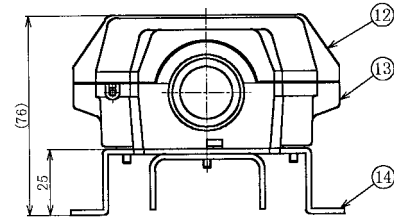
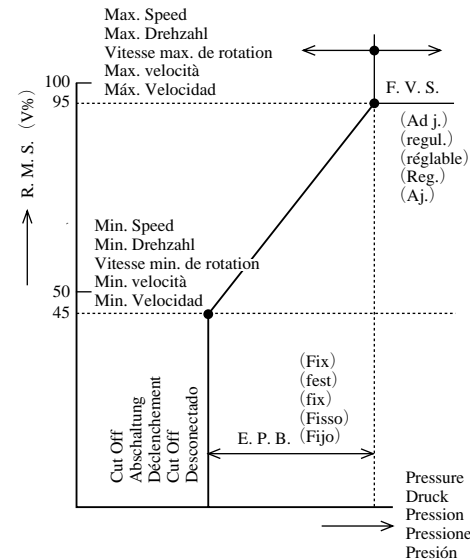


Fig-2 Operation characteristic
 Funktions-Charakteristik
 Caractéristiques de fonctionnement
 Caratteristiche di funzionamento
 Características de Funcionamiento



(CW)	Increase the set value	Erhöht den Einstellwert	Augmente la valeur de consigne	Aumenta il valore della taratura	Aumentar el valor ajustado
(CWW)	Decrease the set value	Senkt den Einstellwert	Abaisse la valeur de consigne	Diminuisce il valore della taratura	Disminuir el valor ajustado
Marking	Marking Factory Set F.V.S. Setting	Markierung Werkseinstellung F.V.S.-Punkt	Marque du pré réglage de l'usine du point F.V.S.	Stampa del valore pre taratura	Marca Ajuste en Fábrica Ajuste F.V.S.
Label	Label Lot. No. Catalog No.	Schild Los-N° Katalog-N°	Etiquelle N° du lot N° de catalogue	Elicetta Lotto Nr. Catalogo Nr.	Etiqueta Lote N° Catálogo logo N°
18	Slide Potentiometer	Gleit-Potentiometer	Potentiomètre	Potenzimetro a scorrimento	Potenciómetro cursor
17	Copper packing	Kupferdichtung	Joint cuivre	Guarnizione in rame	Estopa de cobre
16	Capillary tube 900mm Length	Kapillarrohr Länge 900 mm	Tube capillaire Longueur 900 mm	Tubo capillare lunghezza 900 mm	Tubo capilar 900 mm largo
15	Pressure Connector 1/4 Female Flare with Schrader	Druckanschluss 1/4" Ueberwurfmutter mit Schraderdrücker	Raccord de pression 1/4" à crou avec poussoir schrader	Presse di pressione 1/4" Femmina flare con Schrader	Conector de Presión Tuerca hembra 1/4" con Schrader (depresor)
14	Bracket with Radiate Heat	Halter mit Wärmeleitfunktion	support avec fonction de conducteur de chaleur	Staffa di montaggio con dissipatore di calore	Soporte con calor radiado
13	Case	Gehäuse	boîtier	Contenitore	Caja
12	Cover	Deckel	couvercle	Copertura	Tapa
11	Bushing φ22.5 Conduit Gland	Kabeldurchführung	Passage du cable	Passacavo	Prensaestopas
10	Changeover Switch	Umschalter	Sélecteur	Selettore funzioni	Interruptor Comutador
9	Protection Cover	Schutzdeckel	couvercle de protection	Protezione parti elettriche	Tapa de Protección
8	Range Setting Pointer	Einstell-Anzeiger für Druck	Indice du réglage de pression	Indice di taratura	Indicador de Ajuste de Escala
7	Range Adjusting Screw	Einstellschraube	Vis de réglage	Vite di regolazione	Tomillo de Ajuste de Escala
6	Wiper Holder	Schleifkontakthalter	Support des contacts	Supporto cursore	Sostenedor del Contacto
5	Wiper	Schleifkontakte	Contacts glissants	Cursore	Contacto Deslizante
4	Terminal Board	Anschlussklemmen	Bornes de raccordement	Morsettiera	Placa de Terminales
3	PC Board	Leiterplatte	Circuit imprimé	Circuito stampato	Circuito Impreso
2	Main Frame	Hauptmechanik	Mécanisme principal	Telaio pressostato	Armazón Principal
1	Bellows Cap	Balgdeckel	Fond du soufflet	Soffietto	Fuelle
No.	Parts Name	Bezeichnung	Désignation	Componenti	Componente

Fig-3 Installing outside of System Unit Housing
 Aussenmontage des Geräts
 Montage à l'extérieur
 Installazione all'esterno dell'unità condensante
 Montaje exterior a la Caja del Sistema

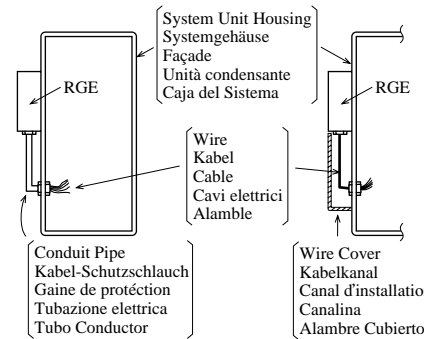
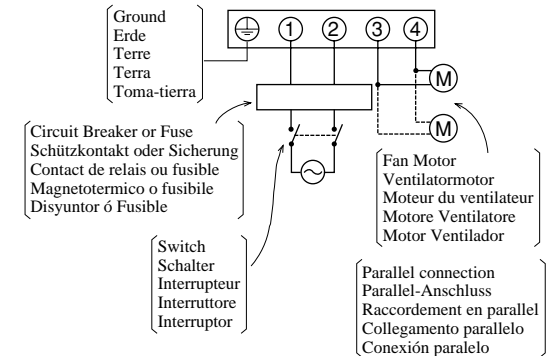


Fig-4 Wiring
 Verdrahtung
 Cablage
 Collegamenti
 Cableado



SAGINOMIYA
 SEISAKUSHO, INC.

55-5, Wakamiya 2 chome, nakano-ku,
 Tokyo 165-8907 Japan
 Tel: +81 3 3330-8161 Fax: +81 3 3330-8175
 E-mail: inter@saginomiya.co.jp
 URL: http://www.saginomiya.co.jp