



SafeWork NSW

CERTIFICATE OF PLANT DESIGN REGISTRATION

Work Health & Safety Act 2011
Work Health & Safety Regulation 2011

ABN: 81 913 830 179
Phone: 13 10 50

Registration No: PV 6-211868/17

Issue Date: 6/04/2017

Registration Holder: DANFOSS A/S

Postal Address: 81 NORBORGVEJ
NORDBORG 6430
DENMARK

Plant Type: Pressure Vessel Original

Model Number/ Trade Name: SCROLL COMPRESSOR SHELL NO.6

Technical Standard : EN 14276-1:2006 + A1:2011

Engineering Principles: No

Design Description:

Hazard Level	C
Contents	Harmful
Chamber 1 Volume (l)	18.0
Chamber 1 Design Pressure (kPa)	0 TO 2500
Chamber 1 Temperature (°C)	-35 TO 54
Chamber 1 Fluid Type	Gas
Drawing Number & Revisions	9850280_810 REV A
Pressure Vessel	Other
Other Type	HERMETIC COMPRESSOR SHELL
Number of Chambers	1

REGISTRATION CONDITIONS

CERTIFICATE AMENDED MAY 2017 TO INDICATE CORRECT DRAWING NUMBER

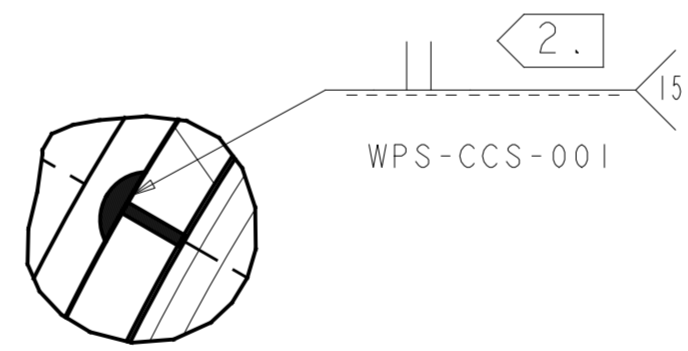
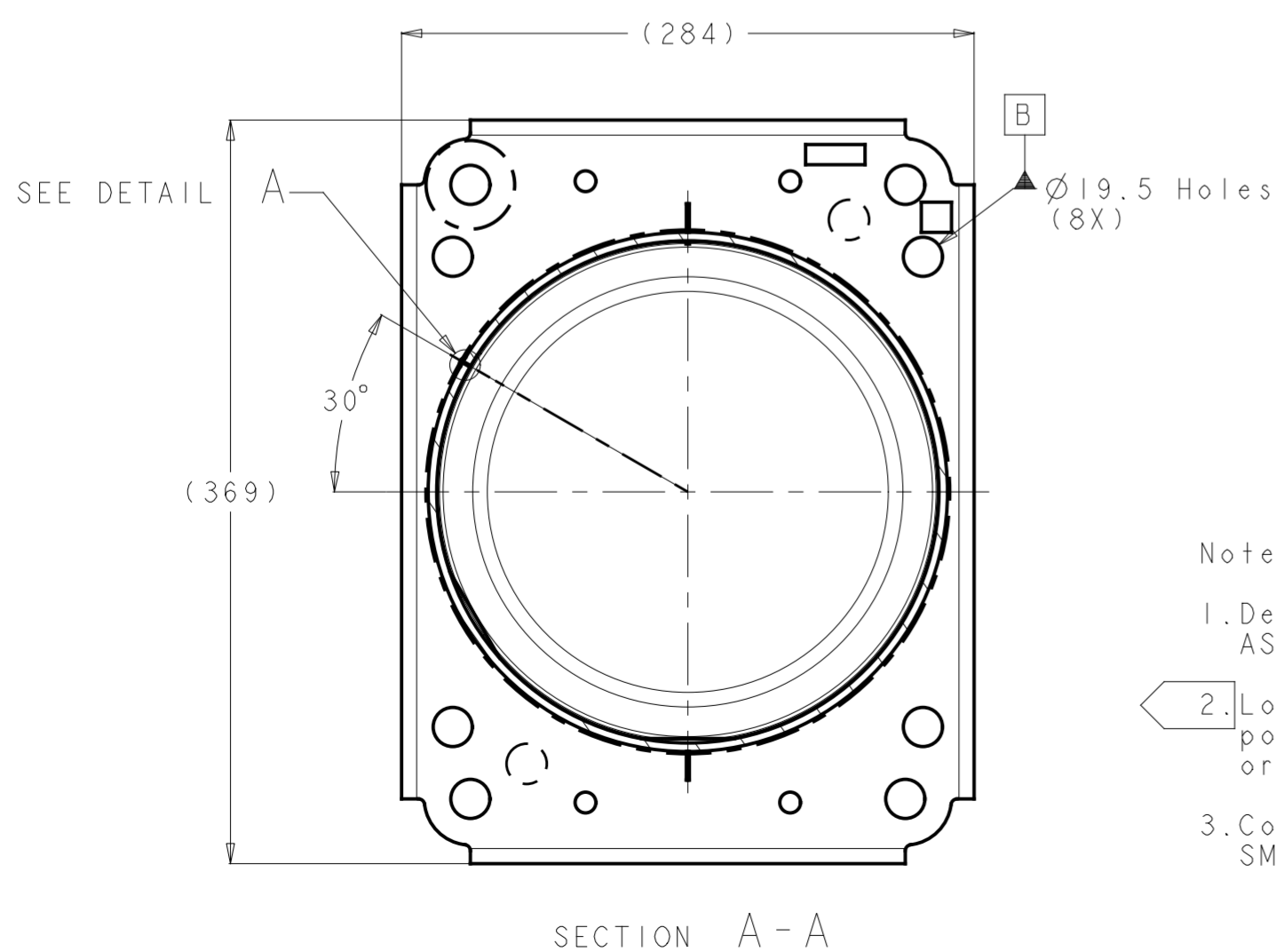
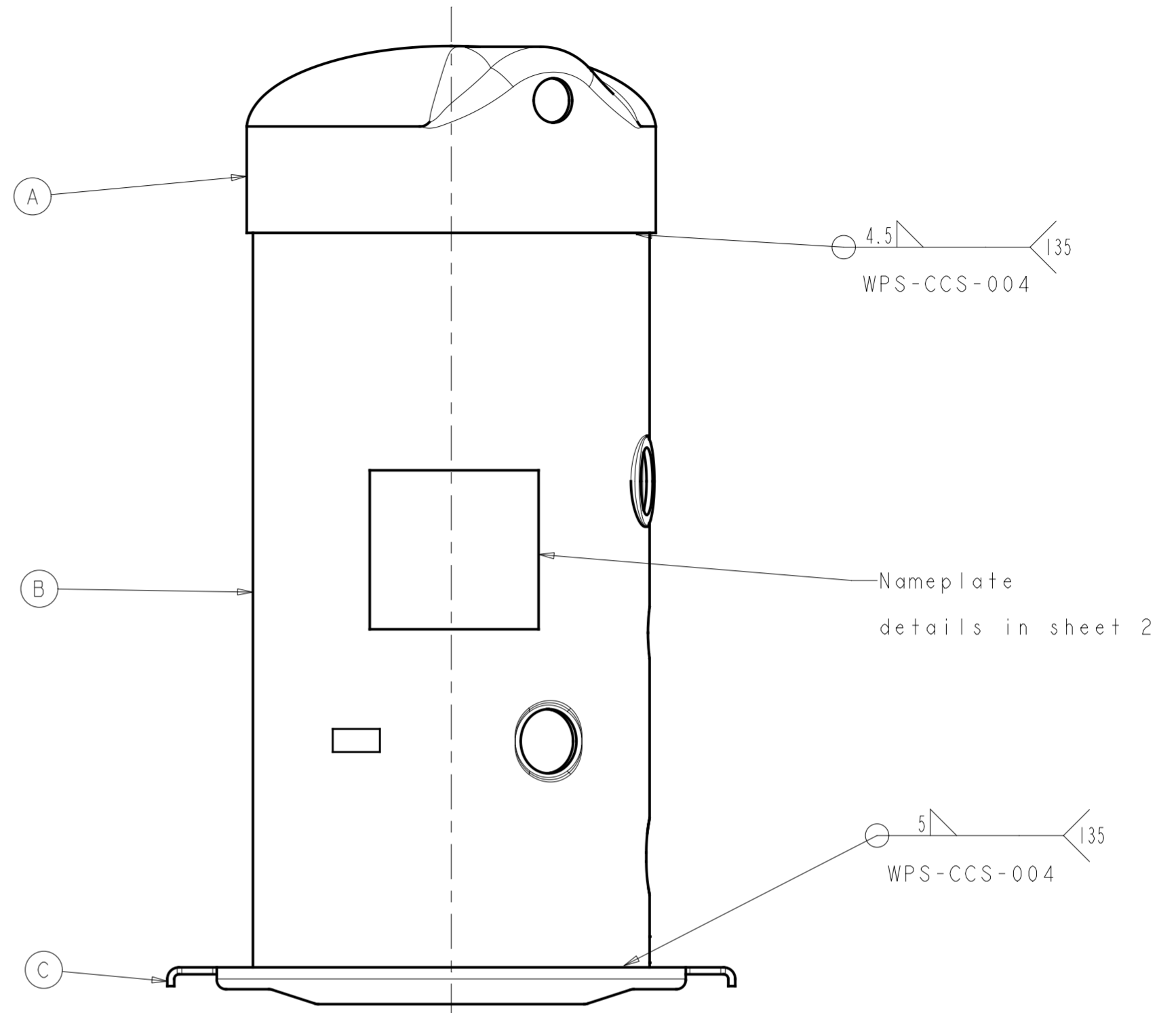
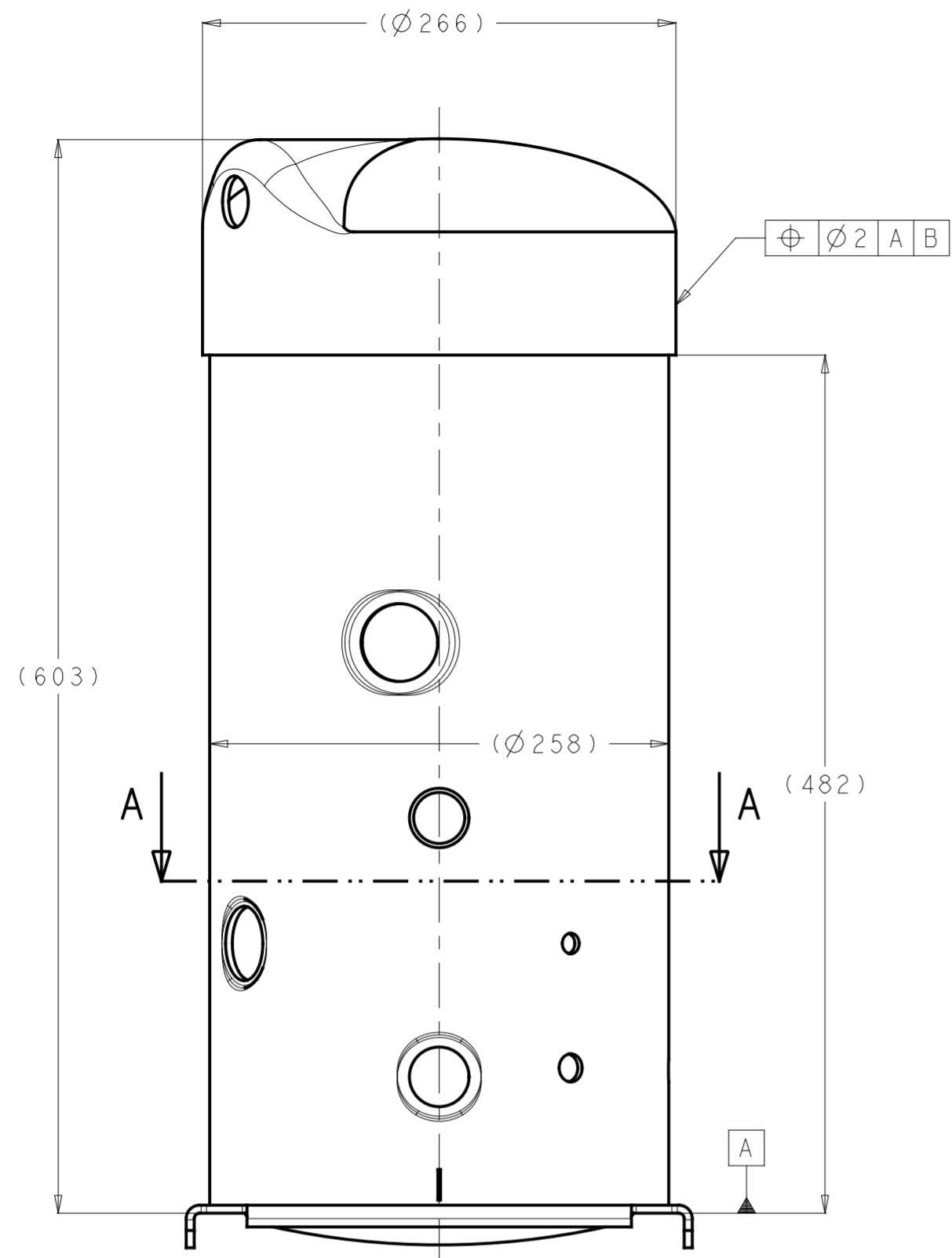
Note: The design of an item of plant registered under the Occupational Health and Safety Regulation immediately before the repeal of that regulation is deemed to have been registered under part 5.3 of the WHS Regulation

This SafeWork NSW certificate is a reissue or amendment of a certificate which may have been originally issued under our former name of WorkCover NSW.

Fee Paid: \$ 272.08

Receipt Date: 31/03/2017

Receipt No: 30-1710



DETAIL A
SCALE 2/1

	Pressure (bars)	Volume(L)	TSMX (°C)	TSMI (°C)
Lower Pressure	25	18.0	54	-35
High Pressure	31.9	2.0	150	-35

Model	Part	description	Drawing No.	Thickness MIN.	CNCC		FRCC	
					Material Grade	Material Standard	Material Grade	Material Standard
SZ160	A	upper shell	5312388	3.4mm	SPHC	Q/BQB 302	DD13	EN 10111
	B	mid shell	5312381	3.0mm	SPHE	Q/BQB 302	DD13	EN 10111
	C	lower shell	5312385	4.0mm	SPHC	Q/BQB 302	DD13	EN 10111

Notes:

- Design code: EN13445, EN14276-1, AS4343: Hazard level C.
- Longitudinal continuous welding, without porosities, with a full penetration or welding with a bead visible inside the shell.
- Compressor Model: SMI60, SZ160

General Tolerances Table	Drawing Status : Preliminary			Key characteristic Critical characteristic According to Danfoss standard 5022024 Material : - Designation Scroll Compressor Shell No.6	
	Surface Area (m2)				
	Estimated Mass (Kg)	Projection	Scale		Size
		1/5	A2		
Roughness (µm)	A	Creation	10-10-2016		
	Revision	ECR Number	Date		
	Designer	Wu Fang			
	Approval	Kong Haili			
ISO 8015 ISO 1101	Confidential: Property of Danfoss Commercial Compressors. Not to be handed over to copied or used by third party. Two or three dimensional reproduction of contents to be authorized by Danfoss CC.			Sheet 1 of 2 A Dwg N° 9850280 810 A	

SECTION A-A

Danfoss
MADE IN CHINA

Model no: SZ160T4CC

Serial no: GH2500000001

Code No: 026-37504-002

M 380-400 V 3 ~ 50 Hz
460 V 3 ~ 60 Hz UL electrical ratings
LR 150 A MAX OPER. 29 A
Thermally protected system
P.E.D. LP side HP side
Marking
PS 25 bar 31.9 bar
TS max 54 °C 150 °C
TS min -35 °C -35 °C
Volume 18.0 L 2.0 L
Lubricant: P.O.E. 160SZ

CE 0062 **RU** US **EAC** 089


2016 Refrigerant: R407C R134a R404A R507
PROTECTED BY DOMESTIC AND FOREIGN PATENTS

⚠ WARNING Installation and servicing shall be performed by trained personnel only. Failure to observe these safety warnings could result in serious injury or death.
ELECTRIC SHOCK HAZARD: Turn off power before servicing. (Discharge all capacitors.)
Keep terminal cover in place and securely fastened whenever power is applied to the compressor. Use this equipment on a grounded system only.
HIGH PRESSURE: System contains refrigerant and oil under pressure. Remove pressure from both the high and low side before servicing, wear safety goggles.
FIRE HAZARD: Use tubing cutter to remove compressor. Do not use torch as oil may catch fire.

⚠ CAUTION Use only manufacturer's approved refrigerants, lubricants and electrical components. Unauthorized refrigerant / lubricant / electrical component could cause fires, explosions, electrical shorting.
For details refer to multi language instructions and technical documentation available on Danfoss website at <http://cc.danfoss.com>

600115P01

Nameplate

General Tolerances Table	Drawing Status : Preliminary				▽ Key characteristic ⊕ Critical characteristic According to Danfoss standard 50220024 Material : - Designation Scroll Compressor Shell No.6
	Surface Area (m2)	Estimated Mass (Kg)	Projection	Scale	
Roughness (µm)	A	Creation	10-10-2016	Size	
	Revision	ECR Number	Date	1/5	
	Designer	Wu Fang		A2	
• ISO 8015 • ISO 1101	Approval	Kong Haili		Sheet 2 of 2 A Dwg N° 9850280 810	A
Confidential: Property of Danfoss Commercial Compressors. Not to be handed over to copied or used by third party. Two or three dimensional reproduction of contents to be authorized by Danfoss CC.					