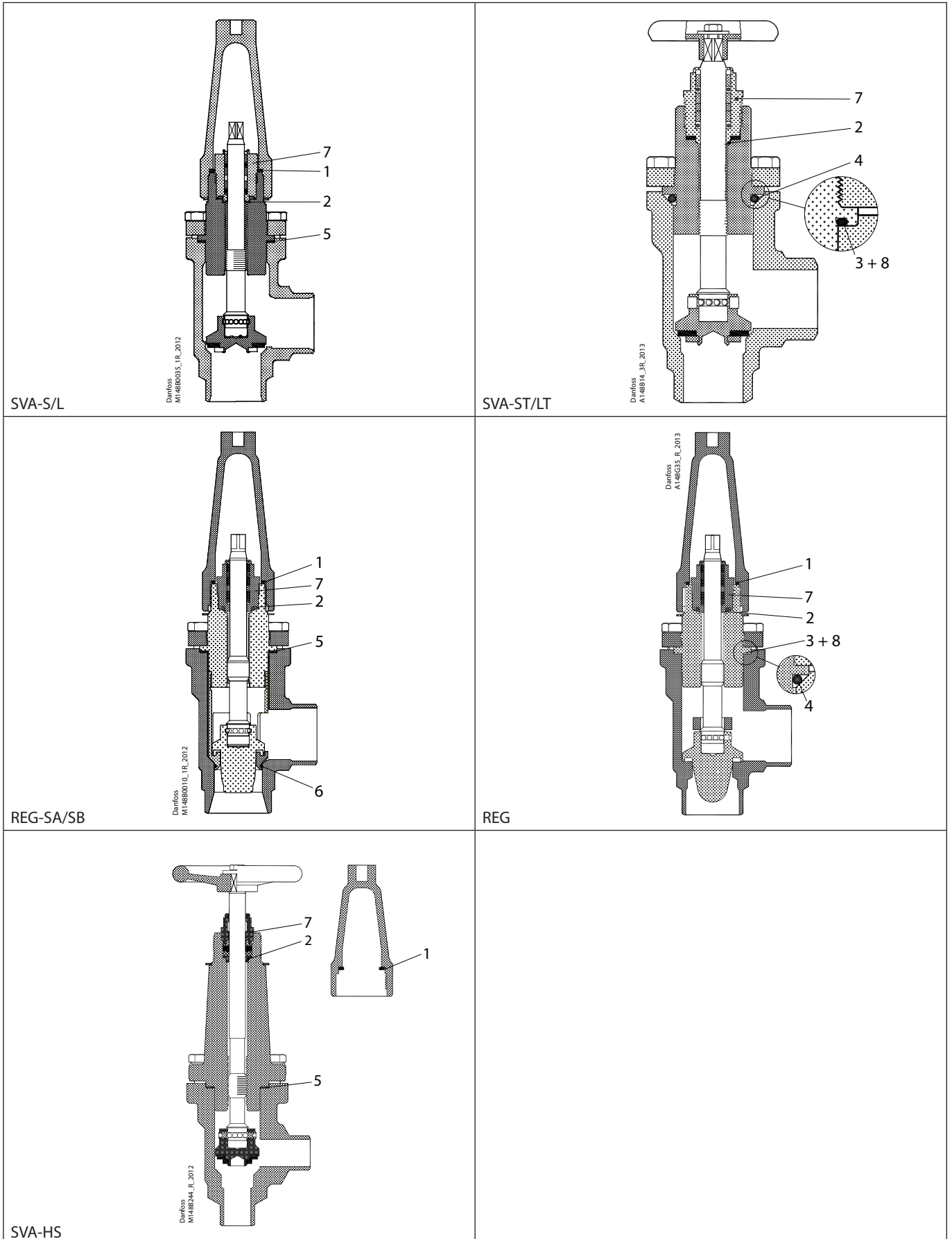
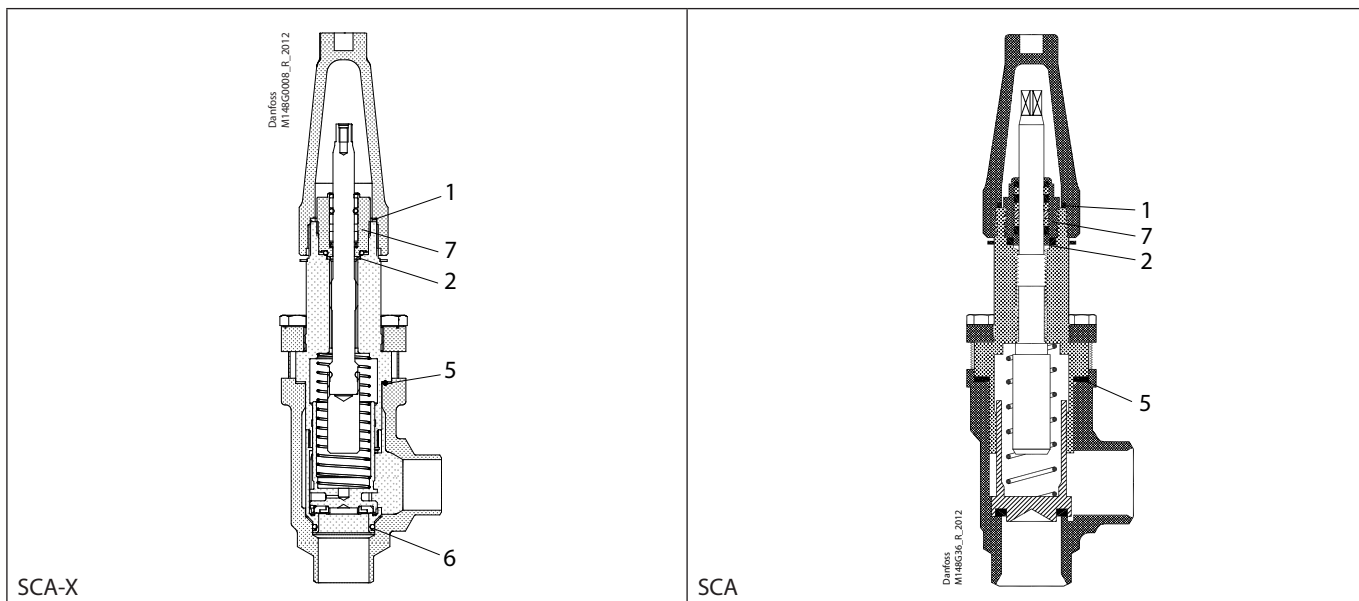


Installation guide – Spare parts and accessories

Repair kit | Code number 148B6062

SVA-S/L, SVA-ST/LT, REG-SA/SB, REG, SVA-HS, SCA/X sizes 25-40





<p><b>1</b></p> <p> = Nylon</p> <p>Total no. = 1</p>	<p><b>2</b></p> <p> = Alu.</p> <p>Total no. = 1</p>	<p><b>3</b></p> <p>Total no. = 1</p>	<p><b>4</b></p> <p>Total no. = 1</p>	<p><b>5</b></p> <p> = Fibre</p> <p>Total no. = 1</p>
<p><b>6</b></p> <p>Total no. = 1</p>	<p><b>7</b></p> <p>Total no. = 1</p>	<p><b>8*</b></p> <p>Total no. = 1</p>		

**NOTE:**

When replacing the packing gland (pos. 7) in SVA-ST, SVA-S/L, SVA-HS, REG, REG-SA/SB, SCA or SCA-X the aluminium gasket (pos. 2) is needed.

\* Only for REG and SVA-ST/LT