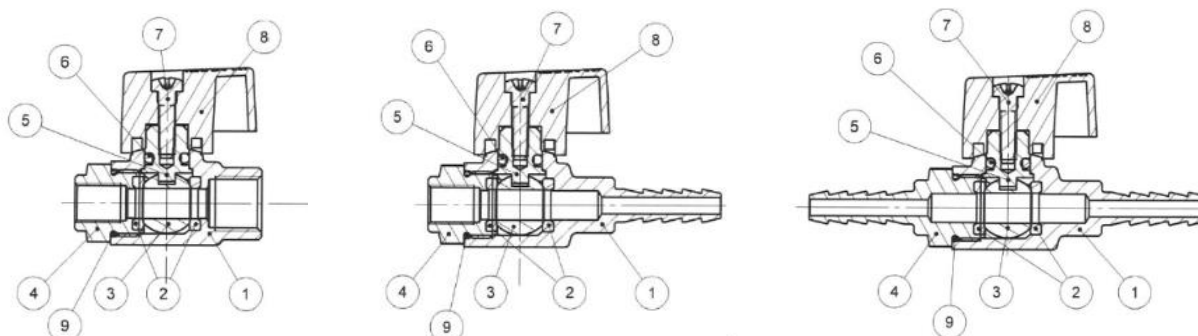


Data sheet for various CA valves (yellow, red, blue) Art. No. (Various item numbers)

Item No.	Description	QTY	Material	Standards
1	Sand blasted nickel plated body (external nickel treatment, unplated machined parts)	1	CW617N	EN12165
2	Body seat	2	PTFE	-
3	Chrome plated ball	1	CW617N	EN12164
4	Sand blasted nickel plated hose end cap (external nickel treatment, unplated machined parts)	1	CW617N	EN12165
5	Unplated stem	1	CW617N	EN12164
6	O-ring	1	HNBR	-
7	Zinc plated screw	1	C10C	EN10263/2
8	Handle – blue (RAL 5017), yellow (RAL 1018) or red (RAL 3000)	1	Nylon – PA 6 30% Glass	-
9	O-ring	1	HNBR	-



Technical specifications

Relevant characteristic	
Operating pressure	60 bar
Operating temperatur	-20°C +80°C
Application	Refrigerants: HCFC (R-22), HFC (R-134a), HFO (R-1234yf), HC (R-600a)

We / 24.10.2019