

Inverter Multi System R32

Outdoor Unit (3 Rooms)

RAS-3M26U2AVG-E

Contents

1 Line up	2
2 Specifications	3
2-1 Outdoor Unit	3
2-2 Combination	4
3 Dimension	16
4 Wiring diagrams	17
5 Refrigerant cycle	18
6 Sound characteristics (NC Curve)	19
7 Capacity table	20

1. Line up

RAS-3M26U2AVG-E

Type	Appearance	Model name	Capacity rank
High wall DSK9		RAS-M10PKVPG-E	10k
		RAS-M13PKVPG-E	13k
		RAS-M16PKVPG-E	16k
High wall SHORAI		RAS-M05PKVSG-E	05k
		RAS-M07PKVSG-E	07k
		RAS-B10PKVSG-E	10k
		RAS-B13PKVSG-E	13k
		RAS-B16PKVSG-E	16k
		RAS-B22PKVSG-E	22k
High wall MIRAI		RAS-B05BKVG-E	05k
		RAS-B07BKVG-E	07k
		RAS-B10BKVG-E	10k
		RAS-B13BKVG-E	13k
		RAS-B16BKVG-E	16k
Ducted		RAS-M07U2DVG-E	07k
		RAS-M10U2DVG-E	10k
		RAS-M13U2DVG-E	13k
		RAS-M16U2DVG-E	16k
		RAS-M22U2DVG-E	22k
		RAS-M24U2DVG-E	24k
Compact 4-way		RAS-M10U2MUVG-E	10k
		RAS-M13U2MUVG-E	13k
		RAS-M16U2MUVG-E	16k
Bi-Flow console		RAS-B10U2FVG-E	10k
		RAS-B13U2FVG-E	13k
		RAS-B18U2FVG-E	18k

2. Specifications

2.1 Outdoor unit ; RAS-3M26U2AVG-E

Unit model		Outdoor	RAS-3M26U2AVG-E			
		Connection indoor unit of this specification	RAS-B16PKVSG-E (x2) + B13PKVSG-E			
Cooling Capacity		(kW)	7.5			
Cooling Capacity range		(kW)	4.1 to 9.0			
Heating Capacity		(kW)	9.0			
Heating Capacity range		(kW)	2.0 to 11.2			
Power supply			220-240V, 1PH, 50Hz			
Electric characteristics	Total	Operation mode		Cooling	Heating	
		Running current	(A)	9.57 / 9.15 / 8.77	10.53 / 10.07 / 9.65	
		Power consumption	(W)	2000	2200	
		Power factor	(%)	95	95	
		Starting current	(A)	9.57		
COP (Cooling/Heating)			3.75 / 4.09			
Operating noise	Outdoor (Cooling/Heating)	Sound pressure level	(dBA)	48 / 49		
		Sound power level	(dBA)	63 / 64		
Outdoor unit	Dimension	Height	(mm)	890		
		Width	(mm)	900		
		Depth	(mm)	320		
	Net weight		(kg)	72		
	Compressor	Motor output		(W)	2000	
		Type			Twin rotary type with DC-inverter variable speed control	
		Model			DX220A2T-20L	
	Fan motor output		(W)	60		
	Air flow rate (Cooling/Heating)		(m ³ /h)	2507 / 2507		
	Type			Flare connection		
Name of refrigerant			R32			
Weight of refrigerant		(kg)	1.92			
Piping connection	Outdoor unit	A unit liquid side/gas side		Ø6.35 / Ø12.7		
		B unit liquid side/gas side		Ø6.35 / Ø12.7		
		C unit liquid side/gas side		Ø6.35 / Ø9.52		
	Maximum length (per unit)		(m)	25		
	Maximum length (total)		(m)	70		
	Maximum chargeless length		(m)	40		
	Maximum height difference		(m)	15		
Wiring connection	Power supply / interconnection		3 Wires : includes earth / 4 Wires : includes earth			
Usable temperature range	Outdoor (Cooling/Heating)		(°C)	-10 to 46°C / -15 to 24°C		

For performance when each indoor unit is combined with other unit, refer to the separate table.
The specifications may be subject to change without notice for purpose of improvement.

• (*1) Rated conditions

Cooling : Capacity test condition, inside : 27 °C (Db) / 19 °C (Wb), outside : 35 °C (Db) / 24 °C (Wb)

Heating : Capacity test condition, inside : 20 °C (Db), outside : 7 °C (Db) / 6°C (Wb)

Piping length : 5 m per Indoor Unit.

2.2 Combination

Operation mode : Cooling

Power supply voltage : 220V

Operating status	Indoor unit					Unit capacity (kW)					Cooling capacity (kW)			Power consumption (W)			Operating current (A)			Power factor (%)			SEER	
	A	B	C	D	E	ΣkBTU	A	B	C	D	E	Min	Rate	Max	Min	Rate	Max	Min	Rate	Max	Min	Rate		Max
1 unit	05	-	-	-	-	5	1.50	-	-	-	-	1.4	1.5	2.0	630	640	650	3.77	3.78	3.48	76	77	85	-
	07	-	-	-	-	7	2.00	-	-	-	-	1.4	2.0	2.5	640	650	700	3.83	3.84	3.74	76	77	85	-
	10	-	-	-	-	10	2.70	-	-	-	-	1.4	2.7	3.2	640	750	950	3.83	4.43	4.64	76	77	93	-
	13	-	-	-	-	13	3.70	-	-	-	-	1.4	3.7	4.4	640	1200	1520	3.68	6.20	7.20	79	88	96	-
	16	-	-	-	-	16	4.50	-	-	-	-	1.4	4.5	5.0	640	1650	2000	3.68	7.98	9.28	79	94	98	-
	18	-	-	-	-	18	5.00	-	-	-	-	1.4	5.0	5.2	640	1950	2100	3.68	9.33	9.74	79	95	98	-
	22	-	-	-	-	22	6.00	-	-	-	-	2.4	6.0	6.8	640	2020	2500	3.68	9.67	11.60	79	95	98	-
	24	-	-	-	-	24	7.10	-	-	-	-	2.4	7.1	7.2	660	2390	2960	3.80	11.44	13.73	79	95	98	-
2 units	05	05	-	-	-	10	1.50	1.50	-	-	-	2.5	3.0	4.0	640	750	1000	3.64	3.59	4.64	80	95	98	5.69
	07	05	-	-	-	12	2.00	1.50	-	-	-	2.5	3.5	4.5	640	850	1200	3.64	4.07	5.57	80	95	98	5.93
	10	05	-	-	-	15	2.70	1.50	-	-	-	2.5	4.2	5.2	640	1100	1550	3.64	5.26	7.19	80	95	98	6.08
	13	05	-	-	-	18	3.70	1.50	-	-	-	2.5	5.2	6.0	640	1450	1950	3.64	6.94	9.04	80	95	98	6.18
	16	05	-	-	-	21	4.35	1.45	-	-	-	2.5	5.8	6.5	640	1700	2200	3.64	8.13	10.20	80	95	98	6.21
	18	05	-	-	-	23	4.54	1.36	-	-	-	2.5	5.9	6.6	640	1740	2250	3.64	8.33	10.44	80	95	98	6.19
	22	05	-	-	-	27	5.04	1.26	-	-	-	2.5	6.3	6.9	640	1900	2400	3.64	9.09	11.13	80	95	98	6.25
	24	05	-	-	-	29	5.20	1.10	-	-	-	2.5	6.3	6.9	640	1900	2400	3.64	9.09	11.13	80	95	98	6.24
	07	07	-	-	-	14	2.00	2.00	-	-	-	2.5	4.0	6.3	640	950	1900	3.64	4.55	8.81	80	95	98	6.14
	10	07	-	-	-	17	2.70	2.00	-	-	-	2.5	4.7	6.3	640	1200	2100	3.64	5.74	9.74	80	95	98	6.25
	13	07	-	-	-	20	3.70	2.00	-	-	-	2.6	5.7	6.5	660	1600	2220	3.75	7.66	10.30	80	95	98	6.27
	16	07	-	-	-	23	4.08	1.82	-	-	-	2.7	5.9	6.6	660	1700	2220	3.75	8.13	10.30	80	95	98	6.22
	18	07	-	-	-	25	4.50	1.80	-	-	-	2.9	6.3	6.9	670	1900	2400	3.81	9.09	11.13	80	95	98	6.22
	22	07	-	-	-	29	4.73	1.58	-	-	-	2.9	6.3	7.1	670	1900	2400	3.81	9.09	11.13	80	95	98	6.25
	24	07	-	-	-	31	5.31	1.49	-	-	-	3.0	6.8	7.4	690	2200	2450	3.92	10.53	11.36	80	95	98	6.30
	10	10	-	-	-	20	2.70	2.70	-	-	-	2.5	5.4	6.3	640	1500	2100	3.64	7.18	9.74	80	95	98	6.28
	13	10	-	-	-	23	3.41	2.49	-	-	-	2.7	5.9	6.6	660	1700	2220	3.75	8.13	10.30	80	95	98	6.24
	16	10	-	-	-	26	3.94	2.36	-	-	-	2.9	6.3	6.9	670	2000	2400	3.81	9.57	11.13	80	95	98	6.11
	18	10	-	-	-	28	4.09	2.21	-	-	-	2.9	6.3	7.1	670	1900	2400	3.81	9.09	11.13	80	95	98	6.22
	22	10	-	-	-	32	4.69	2.11	-	-	-	3.0	6.8	7.4	690	2200	2450	3.92	10.53	11.36	80	95	98	6.30
	24	10	-	-	-	34	5.22	1.98	-	-	-	3.2	7.2	7.8	700	2300	2500	3.98	11.00	11.60	80	95	98	6.35
	13	13	-	-	-	26	3.15	3.15	-	-	-	2.9	6.3	7.1	670	2000	2400	3.81	9.57	11.13	80	95	98	6.11
	16	13	-	-	-	29	3.73	3.07	-	-	-	3.0	6.8	7.4	690	2200	2450	3.92	10.53	11.36	80	95	98	6.02
	18	13	-	-	-	31	3.91	2.89	-	-	-	3.0	6.8	7.4	690	2200	2450	3.92	10.53	11.36	80	95	98	6.27
	22	13	-	-	-	35	4.45	2.75	-	-	-	3.2	7.2	7.8	700	2300	2500	3.98	11.00	11.60	80	95	98	6.36
	24	13	-	-	-	37	4.73	2.47	-	-	-	3.2	7.2	8.4	700	2300	2550	3.98	11.00	11.83	80	95	98	6.35
	16	16	-	-	-	32	3.60	3.60	-	-	-	3.2	7.2	7.8	700	2300	2500	3.98	11.00	11.60	80	95	98	6.36
	18	16	-	-	-	34	3.79	3.41	-	-	-	3.2	7.2	7.8	700	2300	2500	3.98	11.00	11.60	80	95	98	6.33
22	16	-	-	-	38	4.17	3.13	-	-	-	3.2	7.3	8.4	700	2400	2550	3.98	11.48	11.83	80	95	98	6.35	
24	16	-	-	-	40	4.47	2.83	-	-	-	3.2	7.3	8.4	700	2400	2550	3.98	11.48	11.83	80	95	98	6.34	
18	18	-	-	-	36	3.60	3.60	-	-	-	3.2	7.2	8.4	700	2300	2550	3.98	11.00	11.83	80	95	98	6.30	
22	18	-	-	-	40	4.04	3.36	-	-	-	3.2	7.4	8.4	700	2400	2550	3.98	11.48	11.83	80	95	98	6.34	
24	18	-	-	-	42	4.34	3.06	-	-	-	3.2	7.4	8.4	700	2400	2550	3.98	11.48	11.83	80	95	98	6.33	

Specification values are those under the condition as follows ;

Cooling : Capacity test condition, inside : 27 °C (Db) / 19 °C (Wb), outside : 35 °C (Db) / 24 °C (Wb)

Piping length : 5 m. per indoor unit.

Operation mode : Cooling

Power supply voltage : 220V

Operating status	Indoor unit					Unit capacity (kW)					Cooling capacity (kW)			Power consumption (W)			Operating current (A)			Power factor (%)			SEER	
	A	B	C	D	E	ΣkBTU	A	B	C	D	E	Min	Rate	Max	Min	Rate	Max	Min	Rate	Max	Min	Rate		Max
3 units	05	05	05	-	-	15	1.50	1.50	1.50	-	-	3.8	4.5	5.5	950	1070	1390	4.80	5.12	6.45	90	95	98	5.30
	07	05	05	-	-	17	2.00	1.50	1.50	-	-	3.8	5.0	6.0	950	1180	1620	4.80	5.65	7.51	90	95	98	5.44
	10	05	05	-	-	20	2.70	1.50	1.50	-	-	3.8	5.7	6.7	950	1480	1940	4.80	7.08	9.00	90	95	98	5.58
	13	05	05	-	-	23	3.59	1.46	1.46	-	-	3.8	6.5	8.0	950	1585	2540	4.80	7.58	11.78	90	95	98	5.80
	16	05	05	-	-	26	4.32	1.44	1.44	-	-	3.8	7.2	8.4	950	1885	2720	4.80	9.02	12.62	90	95	98	5.91
	18	05	05	-	-	28	4.63	1.39	1.39	-	-	3.8	7.4	8.6	950	1975	2750	4.80	9.45	12.76	90	95	98	5.89
	22	05	05	-	-	32	4.93	1.23	1.23	-	-	3.8	7.4	8.6	950	1975	2750	4.80	9.45	12.76	90	95	98	5.92
	24	05	05	-	-	34	5.20	1.10	1.10	-	-	3.8	7.4	8.6	950	1975	2750	4.80	9.45	12.76	90	95	98	5.91
	07	07	05	-	-	19	2.00	2.00	1.50	-	-	3.8	5.5	6.5	950	1290	1850	4.80	6.17	8.58	90	95	98	5.58
	10	07	05	-	-	22	2.70	2.00	1.50	-	-	3.8	6.2	7.3	950	1480	2220	4.80	7.08	10.30	90	95	98	5.74
	13	07	05	-	-	25	3.55	1.92	1.44	-	-	3.8	6.9	8.4	950	1750	2720	4.80	8.37	12.62	90	95	98	5.88
	16	07	05	-	-	28	4.16	1.85	1.39	-	-	3.8	7.4	8.6	950	1975	2750	4.80	9.45	12.76	90	95	98	5.93
	18	07	05	-	-	30	4.35	1.74	1.31	-	-	3.8	7.4	8.6	950	1975	2750	4.80	9.45	12.76	90	95	98	5.89
	22	07	05	-	-	34	4.67	1.56	1.17	-	-	3.8	7.4	8.8	950	1975	2770	4.80	9.45	12.85	90	95	98	5.92
	24	07	05	-	-	36	4.96	1.40	1.05	-	-	3.8	7.4	8.8	950	1975	2770	4.80	9.45	12.85	90	95	98	5.91
	10	10	05	-	-	25	2.70	2.70	1.50	-	-	3.8	6.9	8.4	950	1750	2720	4.80	8.37	12.62	90	95	98	5.88
	13	10	05	-	-	28	3.47	2.53	1.41	-	-	3.8	7.4	8.6	950	1975	2750	4.80	9.45	12.76	90	95	98	5.93
	16	10	05	-	-	31	3.83	2.30	1.28	-	-	3.8	7.4	8.6	950	1975	2750	4.80	9.45	12.76	90	95	98	5.93
	18	10	05	-	-	33	4.02	2.17	1.21	-	-	3.8	7.4	8.8	950	1975	2770	4.80	9.45	12.85	90	95	98	5.89
	22	10	05	-	-	37	4.35	1.96	1.09	-	-	3.8	7.4	8.8	950	1975	2770	4.80	9.45	12.85	90	95	98	5.92
	24	10	05	-	-	39	4.65	1.77	0.98	-	-	3.8	7.4	8.8	950	1975	2770	4.80	9.45	12.85	90	95	98	5.91
	13	13	05	-	-	31	3.08	3.08	1.25	-	-	3.8	7.4	8.6	950	1975	2750	4.80	9.45	12.76	90	95	98	5.93
	16	13	05	-	-	34	3.43	2.82	1.14	-	-	3.8	7.4	8.8	950	1975	2770	4.80	9.45	12.85	90	95	98	5.93
	18	13	05	-	-	36	3.63	2.68	1.09	-	-	3.8	7.4	8.8	950	1975	2770	4.80	9.45	12.85	90	95	98	5.89
	22	13	05	-	-	40	3.96	2.44	0.99	-	-	3.8	7.4	8.8	950	1975	2770	4.80	9.45	12.85	90	95	98	5.92
	24	13	05	-	-	42	4.27	2.23	0.90	-	-	3.8	7.4	8.8	950	1975	2770	4.80	9.45	12.85	90	95	98	5.91
	16	16	05	-	-	37	3.17	3.17	1.06	-	-	3.8	7.4	8.8	950	1975	2770	4.80	9.45	12.85	90	95	98	5.93
	18	16	05	-	-	39	3.36	3.03	1.01	-	-	3.8	7.4	8.8	950	1975	2770	4.80	9.45	12.85	90	95	98	5.89
	22	16	05	-	-	43	3.70	2.78	0.93	-	-	3.8	7.4	8.8	950	1975	2770	4.80	9.45	12.85	90	95	98	5.92
	24	16	05	-	-	45	4.06	2.58	0.86	-	-	3.8	7.5	9.0	950	2000	2800	4.80	9.57	12.99	90	95	98	5.93
	07	07	07	-	-	21	2.00	2.00	2.00	-	-	3.8	6.0	8.4	950	1400	2720	4.80	6.70	12.62	90	95	98	5.70
	10	07	07	-	-	24	2.70	2.00	2.00	-	-	3.8	6.7	8.4	950	1660	2720	4.80	7.94	12.62	90	95	98	5.86
	13	07	07	-	-	27	3.56	1.92	1.92	-	-	3.9	7.4	8.6	960	1975	2750	4.85	9.45	12.76	90	95	98	5.93
	16	07	07	-	-	30	3.92	1.74	1.74	-	-	3.9	7.4	8.6	960	1975	2750	4.85	9.45	12.76	90	95	98	5.93
	18	07	07	-	-	32	4.11	1.64	1.64	-	-	4.0	7.4	8.8	970	1975	2770	4.90	9.45	12.85	90	95	98	5.89
	22	07	07	-	-	36	4.44	1.48	1.48	-	-	4.0	7.4	8.8	970	1975	2770	4.90	9.45	12.85	90	95	98	6.18
	24	07	07	-	-	38	4.73	1.33	1.33	-	-	4.0	7.4	8.8	970	1975	2770	4.90	9.45	12.85	90	95	98	6.17
	10	10	07	-	-	27	2.70	2.70	2.00	-	-	3.8	7.4	8.4	950	1850	2720	4.80	8.85	12.62	90	95	98	5.97
	13	10	07	-	-	30	3.26	2.38	1.76	-	-	3.9	7.4	8.6	960	1975	2750	4.85	9.45	12.76	90	95	98	5.93
	16	10	07	-	-	33	3.62	2.17	1.61	-	-	4.0	7.4	8.8	970	1975	2770	4.90	9.45	12.85	90	95	98	5.92
	18	10	07	-	-	35	3.81	2.06	1.53	-	-	4.0	7.4	8.8	970	1975	2770	4.90	9.45	12.85	90	95	98	5.89
	22	10	07	-	-	39	4.15	1.87	1.38	-	-	4.0	7.4	8.8	970	1975	2770	4.90	9.45	12.85	90	95	98	6.18
	24	10	07	-	-	41	4.45	1.69	1.25	-	-	4.0	7.4	8.8	970	1975	2770	4.90	9.45	12.85	90	95	98	6.17
	13	13	07	-	-	33	2.91	2.91	1.57	-	-	4.0	7.4	8.8	970	1975	2770	4.90	9.45	12.85	90	95	98	5.92
	16	13	07	-	-	36	3.26	2.68	1.45	-	-	4.0	7.4	8.8	970	1975	2770	4.90	9.45	12.85	90	95	98	5.92
	18	13	07	-	-	38	3.46	2.56	1.38	-	-	4.0	7.4	8.8	970	1975	2770	4.90	9.45	12.85	90	95	98	5.89
	22	13	07	-	-	42	3.79	2.34	1.26	-	-	4.0	7.4	8.8	970	1975	2770	4.90	9.45	12.85	90	95	98	6.18
	24	13	07	-	-	44	4.10	2.14	1.16	-	-	4.0	7.4	8.8	970	1975	2770	4.90	9.45	12.85	90	95	98	6.17
	16	16	07	-	-	39	3.03	3.03	1.35	-	-	4.0	7.4	8.8	970	1975	2770	4.90	9.45	12.85	90	95	98	6.05
	18	16	07	-	-	41	3.22	2.90	1.29	-	-	4.0	7.4	8.8	970	1975	2770	4.90	9.45	12.85	90	95	98	6.15
	22	16	07	-	-	45	3.60	2.70	1.20	-	-	4.1	7.5	9.0	980	2000	2800	4.95	9.57	12.99	90	95	98	6.18
	24	16	07	-	-	47	3.92	2.48	1.10	-	-	4.1	7.5	9.0	980	2000	2800	4.95	9.57	12.99	90	95	98	6.18
	10	10	10	-	-	30	2.47	2.47	2.47	-	-	3.9	7.4	8.6	960	1975	2750	4.85	9.45	12.76	90	95	98	5.93
	13	10	10	-	-	33	3.01	2.20	2.20	-	-	4.0	7.4	8.8	970	1975	2770	4.90	9.45	12.85	90	95	98	5.92
16	10	10	-	-	36	3.36	2.02	2.02	-	-	4.0	7.4	8.8	970	1975	2770	4.90	9.45	12.85	90	95	98	5.92	
18	10	10	-	-	38	3.56	1.92	1.92	-	-	4.0	7.4	8.8	970	1975	2770	4.90	9.45	12.85	90	95	98	5.89	
22	10	10	-	-	42	3.89	1.75	1.75	-	-	4.0	7.4	8.8	970	1975	2770	4.90	9.45	12.85	90	95	98	6.18	
24	10	10	-	-	44	4.20	1.60	1.60	-	-	4.0	7.4	8.8	970	1975	2770	4.90	9.45	12.85	90	95	98	6.17	
13	13	10	-	-	36	2.71	2.71	1.98	-	-	4.0	7.4	8.8	970	1975	2770	4.90	9.45	12.85	90	95	98	5.92	
16	13	10	-	-	39	3.06	2.51	1.83	-	-	4.0	7.4	8.8	970	1975	2770	4.90	9.45	12.85	90	95	98	5.92	
18	13	10	-	-	41	3.25	2.40	1.75	-	-	4.0	7.4	8.8	970	1975	2770	4.90	9.45	12.85	90	95	98	6.03	
22	13	10	-	-	45	3.63	2.24	1.63	-	-	4.1	7.5	9.0	980	2000	2800	4.95	9.57	12.99	90	95	98	6.18	
24	13	10	-	-	47	3.94	2.06	1.50	-	-	4.1	7.5	9.0	980	2000	2800	4.95	9.57	12.99	90	95	98	6.18	
16	16	10	-	-	42	2.85	2.85	1.71	-															

Operation mode : Cooling

Power supply voltage : 230V

Operating status	Indoor unit						Unit capacity (kW)					Cooling capacity (kW)			Power consumption (W)			Operating current (A)			Power factor (%)			SEER
	A	B	C	D	E	ΣKBTU	A	B	C	D	E	Min	Rate	Max	Min	Rate	Max	Min	Rate	Max	Min	Rate	Max	Rate
1 unit	05	-	-	-	-	5	1.50	-	-	-	-	1.4	1.5	2.0	630	640	650	3.60	3.61	3.32	76	77	85	-
	07	-	-	-	-	7	2.00	-	-	-	-	1.4	2.0	2.5	640	650	700	3.66	3.67	3.58	76	77	85	-
	10	-	-	-	-	10	2.70	-	-	-	-	1.4	2.7	3.2	640	750	950	3.66	4.23	4.44	76	77	93	-
	13	-	-	-	-	13	3.70	-	-	-	-	1.4	3.7	4.4	640	1200	1520	3.52	5.93	6.88	79	88	96	-
	16	-	-	-	-	16	4.50	-	-	-	-	1.4	4.5	5.0	640	1650	2000	3.52	7.63	8.87	79	94	98	-
	18	-	-	-	-	18	5.00	-	-	-	-	1.4	5.0	5.2	640	1950	2100	3.52	8.92	9.32	79	95	98	-
	22	-	-	-	-	22	6.00	-	-	-	-	2.4	6.0	6.8	640	2020	2500	3.52	9.24	11.09	79	95	98	-
24	-	-	-	-	24	7.10	-	-	-	-	2.4	7.1	7.2	660	2390	2960	3.63	10.94	13.13	79	95	98	-	
2 units	05	05	-	-	-	10	1.50	1.50	-	-	-	2.5	3.0	4.0	640	750	1000	3.48	3.43	4.44	80	95	98	5.69
	07	05	-	-	-	12	2.00	1.50	-	-	-	2.5	3.5	4.5	640	850	1200	3.48	3.89	5.32	80	95	98	5.93
	10	05	-	-	-	15	2.70	1.50	-	-	-	2.5	4.2	5.2	640	1100	1550	3.48	5.03	6.88	80	95	98	6.08
	13	05	-	-	-	18	3.70	1.50	-	-	-	2.5	5.2	6.0	640	1450	1950	3.48	6.64	8.65	80	95	98	6.18
	16	05	-	-	-	21	4.35	1.45	-	-	-	2.5	5.8	6.5	640	1700	2200	3.48	7.78	9.76	80	95	98	6.21
	18	05	-	-	-	23	4.54	1.36	-	-	-	2.5	5.9	6.6	640	1740	2250	3.48	7.96	9.98	80	95	98	6.19
	22	05	-	-	-	27	5.04	1.26	-	-	-	2.5	6.3	6.9	640	1900	2400	3.48	8.70	10.65	80	95	98	6.25
	24	05	-	-	-	29	5.20	1.10	-	-	-	2.5	6.3	6.9	640	1900	2400	3.48	8.70	10.65	80	95	98	6.24
	07	07	-	-	-	14	2.00	2.00	-	-	-	2.5	4.0	6.3	640	950	1900	3.48	4.35	8.43	80	95	98	6.14
	10	07	-	-	-	17	2.70	2.00	-	-	-	2.5	4.7	6.3	640	1200	2100	3.48	5.49	9.32	80	95	98	6.25
	13	07	-	-	-	20	3.70	2.00	-	-	-	2.6	5.7	6.5	660	1600	2220	3.59	7.32	9.85	80	95	98	6.27
	16	07	-	-	-	23	4.08	1.82	-	-	-	2.7	5.9	6.6	660	1700	2220	3.59	7.78	9.85	80	95	98	6.22
	18	07	-	-	-	25	4.50	1.80	-	-	-	2.9	6.3	6.9	670	1900	2400	3.64	8.70	10.65	80	95	98	6.22
	22	07	-	-	-	29	4.73	1.58	-	-	-	2.9	6.3	7.1	670	1900	2400	3.64	8.70	10.65	80	95	98	6.25
	24	07	-	-	-	31	5.31	1.49	-	-	-	3.0	6.8	7.4	690	2200	2450	3.75	10.07	10.87	80	95	98	6.30
	10	10	-	-	-	20	2.70	2.70	-	-	-	2.5	5.4	6.3	640	1500	2100	3.48	6.86	9.32	80	95	98	6.28
	13	10	-	-	-	23	3.41	2.49	-	-	-	2.7	5.9	6.6	660	1700	2220	3.59	7.78	9.85	80	95	98	6.24
	16	10	-	-	-	26	3.94	2.36	-	-	-	2.9	6.3	6.9	670	2000	2400	3.64	9.15	10.65	80	95	98	6.11
	18	10	-	-	-	28	4.09	2.21	-	-	-	2.9	6.3	7.1	670	1900	2400	3.64	8.70	10.65	80	95	98	6.22
	22	10	-	-	-	32	4.69	2.11	-	-	-	3.0	6.8	7.4	690	2200	2450	3.75	10.07	10.87	80	95	98	6.30
	24	10	-	-	-	34	5.22	1.98	-	-	-	3.2	7.2	7.8	700	2300	2500	3.80	10.53	11.09	80	95	98	6.35
	13	13	-	-	-	26	3.15	3.15	-	-	-	2.9	6.3	7.1	670	2000	2400	3.64	9.15	10.65	80	95	98	6.11
	16	13	-	-	-	29	3.73	3.07	-	-	-	3.0	6.8	7.4	690	2200	2450	3.75	10.07	10.87	80	95	98	6.02
	18	13	-	-	-	31	3.91	2.89	-	-	-	3.0	6.8	7.4	690	2200	2450	3.75	10.07	10.87	80	95	98	6.27
	22	13	-	-	-	35	4.45	2.75	-	-	-	3.2	7.2	7.8	700	2300	2500	3.80	10.53	11.09	80	95	98	6.36
	24	13	-	-	-	37	4.73	2.47	-	-	-	3.2	7.2	8.4	700	2300	2550	3.80	10.53	11.31	80	95	98	6.35
	16	16	-	-	-	32	3.60	3.60	-	-	-	3.2	7.2	7.8	700	2300	2500	3.80	10.53	11.09	80	95	98	6.36
	18	16	-	-	-	34	3.79	3.41	-	-	-	3.2	7.2	7.8	700	2300	2500	3.80	10.53	11.09	80	95	98	6.33
22	16	-	-	-	38	4.17	3.13	-	-	-	3.2	7.3	8.4	700	2400	2550	3.80	10.98	11.31	80	95	98	6.35	
24	16	-	-	-	40	4.47	2.83	-	-	-	3.2	7.3	8.4	700	2400	2550	3.80	10.98	11.31	80	95	98	6.34	
18	18	-	-	-	36	3.60	3.60	-	-	-	3.2	7.2	8.4	700	2300	2550	3.80	10.53	11.31	80	95	98	6.30	
22	18	-	-	-	40	4.04	3.36	-	-	-	3.2	7.4	8.4	700	2400	2550	3.80	10.98	11.31	80	95	98	6.34	
24	18	-	-	-	42	4.34	3.06	-	-	-	3.2	7.4	8.4	700	2400	2550	3.80	10.98	11.31	80	95	98	6.33	

Specification values are those under the condition as follows ;

Cooling : Capacity test condition, inside : 27 °C (Db) / 19 °C (Wb), outside : 35 °C (Db) / 24 °C (Wb)

Piping length : 5 m. per indoor unit.

Operation mode : Cooling

Power supply voltage : 230V

Operating status	Indoor unit					Unit capacity (kW)					Cooling capacity (kW)			Power consumption (W)			Operating current (A)			Power factor (%)			SEER	
	A	B	C	D	E	ΣkBTU	A	B	C	D	E	Min	Rate	Max	Min	Rate	Max	Min	Rate	Max	Min	Rate		Max
3 units	05	05	05	-	-	15	1.50	1.50	1.50	-	-	3.8	4.5	5.5	950	1070	1390	4.59	4.90	6.17	90	95	98	5.30
	07	05	05	-	-	17	2.00	1.50	1.50	-	-	3.8	5.0	6.0	950	1180	1620	4.59	5.40	7.19	90	95	98	5.44
	10	05	05	-	-	20	2.70	1.50	1.50	-	-	3.8	5.7	6.7	950	1480	1940	4.59	6.77	8.61	90	95	98	5.58
	13	05	05	-	-	23	3.59	1.46	1.46	-	-	3.8	6.5	8.0	950	1585	2540	4.59	7.25	11.27	90	95	98	5.80
	16	05	05	-	-	26	4.32	1.44	1.44	-	-	3.8	7.2	8.4	950	1885	2720	4.59	8.63	12.07	90	95	98	5.91
	18	05	05	-	-	28	4.63	1.39	1.39	-	-	3.8	7.4	8.6	950	1975	2750	4.59	9.04	12.20	90	95	98	5.89
	22	05	05	-	-	32	4.93	1.23	1.23	-	-	3.8	7.4	8.6	950	1975	2750	4.59	9.04	12.20	90	95	98	5.92
	24	05	05	-	-	34	5.20	1.10	1.10	-	-	3.8	7.4	8.6	950	1975	2750	4.59	9.04	12.20	90	95	98	5.91
	07	07	05	-	-	19	2.00	2.00	1.50	-	-	3.8	5.5	6.5	950	1290	1850	4.59	5.90	8.21	90	95	98	5.58
	10	07	05	-	-	22	2.70	2.00	1.50	-	-	3.8	6.2	7.3	950	1480	2220	4.59	6.77	9.85	90	95	98	5.74
	13	07	05	-	-	25	3.55	1.92	1.44	-	-	3.8	6.9	8.4	950	1750	2720	4.59	8.01	12.07	90	95	98	5.88
	16	07	05	-	-	28	4.16	1.85	1.39	-	-	3.8	7.4	8.6	950	1975	2750	4.59	9.04	12.20	90	95	98	5.93
	18	07	05	-	-	30	4.35	1.74	1.31	-	-	3.8	7.4	8.6	950	1975	2750	4.59	9.04	12.20	90	95	98	5.89
	22	07	05	-	-	34	4.67	1.56	1.17	-	-	3.8	7.4	8.8	950	1975	2770	4.59	9.04	12.29	90	95	98	5.92
	24	07	05	-	-	36	4.96	1.40	1.05	-	-	3.8	7.4	8.8	950	1975	2770	4.59	9.04	12.29	90	95	98	5.91
	10	10	05	-	-	25	2.70	2.70	1.50	-	-	3.8	6.9	8.4	950	1750	2720	4.59	8.01	12.07	90	95	98	5.88
	13	10	05	-	-	28	3.47	2.53	1.41	-	-	3.8	7.4	8.6	950	1975	2750	4.59	9.04	12.20	90	95	98	5.93
	16	10	05	-	-	31	3.83	2.30	1.28	-	-	3.8	7.4	8.6	950	1975	2750	4.59	9.04	12.20	90	95	98	5.93
	18	10	05	-	-	33	4.02	2.17	1.21	-	-	3.8	7.4	8.8	950	1975	2770	4.59	9.04	12.29	90	95	98	5.89
	22	10	05	-	-	37	4.35	1.96	1.09	-	-	3.8	7.4	8.8	950	1975	2770	4.59	9.04	12.29	90	95	98	5.92
	24	10	05	-	-	39	4.65	1.77	0.98	-	-	3.8	7.4	8.8	950	1975	2770	4.59	9.04	12.29	90	95	98	5.91
	13	13	05	-	-	31	3.08	3.08	1.25	-	-	3.8	7.4	8.6	950	1975	2750	4.59	9.04	12.20	90	95	98	5.93
	16	13	05	-	-	34	3.43	2.82	1.14	-	-	3.8	7.4	8.8	950	1975	2770	4.59	9.04	12.29	90	95	98	5.93
	18	13	05	-	-	36	3.63	2.68	1.09	-	-	3.8	7.4	8.8	950	1975	2770	4.59	9.04	12.29	90	95	98	5.89
	22	13	05	-	-	40	3.96	2.44	0.99	-	-	3.8	7.4	8.8	950	1975	2770	4.59	9.04	12.29	90	95	98	5.92
	24	13	05	-	-	42	4.27	2.23	0.90	-	-	3.8	7.4	8.8	950	1975	2770	4.59	9.04	12.29	90	95	98	5.91
	16	16	05	-	-	37	3.17	3.17	1.06	-	-	3.8	7.4	8.8	950	1975	2770	4.59	9.04	12.29	90	95	98	5.93
	18	16	05	-	-	39	3.36	3.03	1.01	-	-	3.8	7.4	8.8	950	1975	2770	4.59	9.04	12.29	90	95	98	5.89
	22	16	05	-	-	43	3.70	2.78	0.93	-	-	3.8	7.4	8.8	950	1975	2770	4.59	9.04	12.29	90	95	98	5.92
	24	16	05	-	-	45	4.06	2.58	0.86	-	-	3.8	7.5	9.0	950	2000	2800	4.59	9.15	12.42	90	95	98	5.93
	07	07	07	-	-	21	2.00	2.00	2.00	-	-	3.8	6.0	8.4	950	1400	2720	4.59	6.41	12.07	90	95	98	5.70
	10	07	07	-	-	24	2.70	2.00	2.00	-	-	3.8	6.7	8.4	950	1660	2720	4.59	7.60	12.07	90	95	98	5.86
	13	07	07	-	-	27	3.56	1.92	1.92	-	-	3.9	7.4	8.6	960	1975	2750	4.64	9.04	12.20	90	95	98	5.93
	16	07	07	-	-	30	3.92	1.74	1.74	-	-	3.9	7.4	8.6	960	1975	2750	4.64	9.04	12.20	90	95	98	5.93
	18	07	07	-	-	32	4.11	1.64	1.64	-	-	4.0	7.4	8.8	970	1975	2770	4.69	9.04	12.29	90	95	98	5.89
	22	07	07	-	-	36	4.44	1.48	1.48	-	-	4.0	7.4	8.8	970	1975	2770	4.69	9.04	12.29	90	95	98	6.18
	24	07	07	-	-	38	4.73	1.33	1.33	-	-	4.0	7.4	8.8	970	1975	2770	4.69	9.04	12.29	90	95	98	6.17
	10	10	07	-	-	27	2.70	2.70	2.00	-	-	3.8	7.4	8.4	950	1850	2720	4.59	8.47	12.07	90	95	98	5.97
	13	10	07	-	-	30	3.26	2.38	1.76	-	-	3.9	7.4	8.6	960	1975	2750	4.64	9.04	12.20	90	95	98	5.93
	16	10	07	-	-	33	3.62	2.17	1.61	-	-	4.0	7.4	8.8	970	1975	2770	4.69	9.04	12.29	90	95	98	5.92
	18	10	07	-	-	35	3.81	2.06	1.53	-	-	4.0	7.4	8.8	970	1975	2770	4.69	9.04	12.29	90	95	98	5.89
	22	10	07	-	-	39	4.15	1.87	1.38	-	-	4.0	7.4	8.8	970	1975	2770	4.69	9.04	12.29	90	95	98	6.18
	24	10	07	-	-	41	4.45	1.69	1.25	-	-	4.0	7.4	8.8	970	1975	2770	4.69	9.04	12.29	90	95	98	6.17
	13	13	07	-	-	33	2.91	2.91	1.57	-	-	4.0	7.4	8.8	970	1975	2770	4.69	9.04	12.29	90	95	98	5.92
	16	13	07	-	-	36	3.26	2.68	1.45	-	-	4.0	7.4	8.8	970	1975	2770	4.69	9.04	12.29	90	95	98	5.92
	18	13	07	-	-	38	3.46	2.56	1.38	-	-	4.0	7.4	8.8	970	1975	2770	4.69	9.04	12.29	90	95	98	5.89
	22	13	07	-	-	42	3.79	2.34	1.26	-	-	4.0	7.4	8.8	970	1975	2770	4.69	9.04	12.29	90	95	98	6.18
	24	13	07	-	-	44	4.10	2.14	1.16	-	-	4.0	7.4	8.8	970	1975	2770	4.69	9.04	12.29	90	95	98	6.17
	16	16	07	-	-	39	3.03	3.03	1.35	-	-	4.0	7.4	8.8	970	1975	2770	4.69	9.04	12.29	90	95	98	6.05
	18	16	07	-	-	41	3.22	2.90	1.29	-	-	4.0	7.4	8.8	970	1975	2770	4.69	9.04	12.29	90	95	98	6.15
22	16	07	-	-	45	3.60	2.70	1.20	-	-	4.1	7.5	9.0	980	2000	2800	4.73	9.15	12.42	90	95	98	6.18	
24	16	07	-	-	47	3.92	2.48	1.10	-	-	4.1	7.5	9.0	980	2000	2800	4.73	9.15	12.42	90	95	98	6.18	
10	10	10	-	-	30	2.47	2.47	2.47	-	-	3.9	7.4	8.6	960	1975	2750	4.64	9.04	12.20	90	95	98	5.93	
13	10	10	-	-	33	3.01	2.20	2.20	-	-	4.0	7.4	8.8	970	1975	2770	4.69	9.04	12.29	90	95	98	5.92	
16	10	10	-	-	36	3.36	2.02	2.02	-	-	4.0	7.4	8.8	970	1975	2770	4.69	9.04	12.29	90	95	98	5.92	
18	10	10	-	-	38	3.56	1.92	1.92	-	-	4.0	7.4	8.8	970	1975	2770	4.69	9.04	12.29	90	95	98	5.89	
22	10	10	-	-	42	3.89	1.75	1.75	-	-	4.0	7.4	8.8	970	1975	2770	4.69	9.04	12.29	90	95	98	6.18	
24	10	10	-	-	44	4.20	1.60	1.60	-	-	4.0	7.4	8.8	970	1975	2770	4.69	9.04	12.29	90	95	98	6.17	
13	13	10	-	-	36	2.71	2.71	1.98	-	-	4.0	7.4	8.8	970	1975	2770	4.69	9.04	12.29	90	95	98	5.92	
16	13	10	-	-	39	3.06	2.51	1.83	-	-	4.0	7.4	8.8	970	1975	2770	4.69	9.04	12.29	90	95	98	5.92	
18	13	10	-	-	41	3.25	2.40	1.75	-	-	4.0	7.4	8.8	970	1975	2770	4.69	9.04	12.29	90	95	98	6.03	
22	13	10	-	-	45	3.63	2.24	1.63	-	-	4.1	7.5	9.0	980	2000	2800	4.73	9.15	12.42	90	95	98	6.18	
24	13	10	-	-	47	3.94	2.06	1.50	-	-	4.1	7.5	9.0	980	2000	2800	4.73	9.15	12.42	90	95	98	6.18	
16	16	10	-	-	42	2.85																		

Operation mode : Cooling
 Power supply voltage : 240V

Operating status	Indoor unit					Unit capacity (kW)					Cooling capacity (kW)			Power consumption (W)			Operating current (A)			Power factor (%)			SEER	
	A	B	C	D	E	ΣkBTU	A	B	C	D	E	Min	Rate	Max	Min	Rate	Max	Min	Rate	Max	Min	Rate		Max
1 unit	05	-	-	-	-	5	1.50	-	-	-	-	1.4	1.5	2.0	630	640	650	3.45	3.46	3.19	76	77	85	-
	07	-	-	-	-	7	2.00	-	-	-	-	1.4	2.0	2.5	640	650	700	3.51	3.52	3.43	76	77	85	-
	10	-	-	-	-	10	2.70	-	-	-	-	1.4	2.7	3.2	640	750	950	3.51	4.06	4.26	76	77	93	-
	13	-	-	-	-	13	3.70	-	-	-	-	1.4	3.7	4.4	640	1200	1520	3.38	5.68	6.60	79	88	96	-
	16	-	-	-	-	16	4.50	-	-	-	-	1.4	4.5	5.0	640	1650	2000	3.38	7.31	8.50	79	94	98	-
	18	-	-	-	-	18	5.00	-	-	-	-	1.4	5.0	5.2	640	1950	2100	3.38	8.55	8.93	79	95	98	-
	22	-	-	-	-	22	6.00	-	-	-	-	2.4	6.0	6.8	640	2020	2500	3.38	8.86	10.63	79	95	98	-
2 units	24	-	-	-	-	24	7.10	-	-	-	-	2.4	7.1	7.2	660	2390	2960	3.48	10.48	12.59	79	95	98	-
	05	05	-	-	-	10	1.50	1.50	-	-	-	2.5	3.0	4.0	640	750	1000	3.33	3.29	4.25	80	95	98	5.69
	07	05	-	-	-	12	2.00	1.50	-	-	-	2.5	3.5	4.5	640	850	1200	3.33	3.73	5.10	80	95	98	5.93
	10	05	-	-	-	15	2.70	1.50	-	-	-	2.5	4.2	5.2	640	1100	1550	3.33	4.82	6.59	80	95	98	6.08
	13	05	-	-	-	18	3.70	1.50	-	-	-	2.5	5.2	6.0	640	1450	1950	3.33	6.36	8.29	80	95	98	6.18
	16	05	-	-	-	21	4.35	1.45	-	-	-	2.5	5.8	6.5	640	1700	2200	3.33	7.46	9.35	80	95	98	6.21
	18	05	-	-	-	23	4.54	1.36	-	-	-	2.5	5.9	6.6	640	1740	2250	3.33	7.63	9.57	80	95	98	6.19
	22	05	-	-	-	27	5.04	1.26	-	-	-	2.5	6.3	6.9	640	1900	2400	3.33	8.33	10.20	80	95	98	6.25
	24	05	-	-	-	29	5.20	1.10	-	-	-	2.5	6.3	6.9	640	1900	2400	3.33	8.33	10.20	80	95	98	6.24
	07	07	-	-	-	14	2.00	2.00	-	-	-	2.5	4.0	6.3	640	950	1900	3.33	4.17	8.08	80	95	98	6.14
	10	07	-	-	-	17	2.70	2.00	-	-	-	2.5	4.7	6.3	640	1200	2100	3.33	5.26	8.93	80	95	98	6.25
	13	07	-	-	-	20	3.70	2.00	-	-	-	2.6	5.7	6.5	660	1600	2220	3.44	7.02	9.44	80	95	98	6.27
	16	07	-	-	-	23	4.08	1.82	-	-	-	2.7	5.9	6.6	660	1700	2220	3.44	7.46	9.44	80	95	98	6.22
	18	07	-	-	-	25	4.50	1.80	-	-	-	2.9	6.3	6.9	670	1900	2400	3.49	8.33	10.20	80	95	98	6.22
	22	07	-	-	-	29	4.73	1.58	-	-	-	2.9	6.3	7.1	670	1900	2400	3.49	8.33	10.20	80	95	98	6.25
	24	07	-	-	-	31	5.31	1.49	-	-	-	3.0	6.8	7.4	690	2200	2450	3.59	9.65	10.42	80	95	98	6.30
	10	10	-	-	-	20	2.70	2.70	-	-	-	2.5	5.4	6.3	640	1500	2100	3.33	6.58	8.93	80	95	98	6.28
	13	10	-	-	-	23	3.41	2.49	-	-	-	2.7	5.9	6.6	660	1700	2220	3.44	7.46	9.44	80	95	98	6.24
	16	10	-	-	-	26	3.94	2.36	-	-	-	2.9	6.3	6.9	670	2000	2400	3.49	8.77	10.20	80	95	98	6.11
	18	10	-	-	-	28	4.09	2.21	-	-	-	2.9	6.3	7.1	670	1900	2400	3.49	8.33	10.20	80	95	98	6.22
	22	10	-	-	-	32	4.69	2.11	-	-	-	3.0	6.8	7.4	690	2200	2450	3.59	9.65	10.42	80	95	98	6.30
	24	10	-	-	-	34	5.22	1.98	-	-	-	3.2	7.2	7.8	700	2300	2500	3.65	10.09	10.63	80	95	98	6.35
	13	13	-	-	-	26	3.15	3.15	-	-	-	2.9	6.3	7.1	670	2000	2400	3.49	8.77	10.20	80	95	98	6.11
	16	13	-	-	-	29	3.73	3.07	-	-	-	3.0	6.8	7.4	690	2200	2450	3.59	9.65	10.42	80	95	98	6.02
	18	13	-	-	-	31	3.91	2.89	-	-	-	3.0	6.8	7.4	690	2200	2450	3.59	9.65	10.42	80	95	98	6.27
	22	13	-	-	-	35	4.45	2.75	-	-	-	3.2	7.2	7.8	700	2300	2500	3.65	10.09	10.63	80	95	98	6.36
	24	13	-	-	-	37	4.73	2.47	-	-	-	3.2	7.2	8.4	700	2300	2550	3.65	10.09	10.84	80	95	98	6.35
16	16	-	-	-	32	3.60	3.60	-	-	-	3.2	7.2	7.8	700	2300	2500	3.65	10.09	10.63	80	95	98	6.36	
18	16	-	-	-	34	3.79	3.41	-	-	-	3.2	7.2	7.8	700	2300	2500	3.65	10.09	10.63	80	95	98	6.33	
22	16	-	-	-	38	4.17	3.13	-	-	-	3.2	7.3	8.4	700	2400	2550	3.65	10.53	10.84	80	95	98	6.35	
24	16	-	-	-	40	4.47	2.83	-	-	-	3.2	7.3	8.4	700	2400	2550	3.65	10.53	10.84	80	95	98	6.34	
18	18	-	-	-	36	3.60	3.60	-	-	-	3.2	7.2	8.4	700	2300	2550	3.65	10.09	10.84	80	95	98	6.30	
22	18	-	-	-	40	4.04	3.36	-	-	-	3.2	7.4	8.4	700	2400	2550	3.65	10.53	10.84	80	95	98	6.34	
24	18	-	-	-	42	4.34	3.06	-	-	-	3.2	7.4	8.4	700	2400	2550	3.65	10.53	10.84	80	95	98	6.33	

Specification values are those under the condition as follows ;
 Cooling : Capacity test condition, inside : 27 °C (Db) / 19 °C (Wb), outside : 35 °C (Db) / 24 °C (Wb)
 Piping length : 5 m. per indoor unit.

Operation mode : Cooling

Power supply voltage : 240V

Operating status	Indoor unit					Unit capacity (kW)					Cooling capacity (kW)			Power consumption (W)			Operating current (A)			Power factor (%)			SEER	
	A	B	C	D	E	ΣkBTU	A	B	C	D	E	Min	Rate	Max	Min	Rate	Max	Min	Rate	Max	Min	Rate		Max
3 units	05	05	05	-	-	15	1.50	1.50	1.50	-	-	3.8	4.5	5.5	950	1070	1390	4.40	4.69	5.91	90	95	98	5.30
	07	05	05	-	-	17	2.00	1.50	1.50	-	-	3.8	5.0	6.0	950	1180	1620	4.40	5.18	6.89	90	95	98	5.44
	10	05	05	-	-	20	2.70	1.50	1.50	-	-	3.8	5.7	6.7	950	1480	1940	4.40	6.49	8.25	90	95	98	5.58
	13	05	05	-	-	23	3.59	1.46	1.46	-	-	3.8	6.5	8.0	950	1585	2540	4.40	6.95	10.80	90	95	98	5.80
	16	05	05	-	-	26	4.32	1.44	1.44	-	-	3.8	7.2	8.4	950	1885	2720	4.40	8.27	11.56	90	95	98	5.91
	18	05	05	-	-	28	4.63	1.39	1.39	-	-	3.8	7.4	8.6	950	1975	2750	4.40	8.66	11.69	90	95	98	5.89
	22	05	05	-	-	32	4.93	1.23	1.23	-	-	3.8	7.4	8.6	950	1975	2750	4.40	8.66	11.69	90	95	98	5.92
	24	05	05	-	-	34	5.20	1.10	1.10	-	-	3.8	7.4	8.6	950	1975	2750	4.40	8.66	11.69	90	95	98	5.91
	07	07	05	-	-	19	2.00	2.00	1.50	-	-	3.8	5.5	6.5	950	1290	1850	4.40	5.66	7.87	90	95	98	5.58
	10	07	05	-	-	22	2.70	2.00	1.50	-	-	3.8	6.2	7.3	950	1480	2220	4.40	6.49	9.44	90	95	98	5.74
	13	07	05	-	-	25	3.55	1.92	1.44	-	-	3.8	6.9	8.4	950	1750	2720	4.40	7.68	11.56	90	95	98	5.88
	16	07	05	-	-	28	4.16	1.85	1.39	-	-	3.8	7.4	8.6	950	1975	2750	4.40	8.66	11.69	90	95	98	5.93
	18	07	05	-	-	30	4.35	1.74	1.31	-	-	3.8	7.4	8.6	950	1975	2750	4.40	8.66	11.69	90	95	98	5.89
	22	07	05	-	-	34	4.67	1.56	1.17	-	-	3.8	7.4	8.8	950	1975	2770	4.40	8.66	11.78	90	95	98	5.92
	24	07	05	-	-	36	4.96	1.40	1.05	-	-	3.8	7.4	8.8	950	1975	2770	4.40	8.66	11.78	90	95	98	5.91
	10	10	05	-	-	25	2.70	2.70	1.50	-	-	3.8	6.9	8.4	950	1750	2720	4.40	7.68	11.56	90	95	98	5.88
	13	10	05	-	-	28	3.47	2.53	1.41	-	-	3.8	7.4	8.6	950	1975	2750	4.40	8.66	11.69	90	95	98	5.93
	16	10	05	-	-	31	3.83	2.30	1.28	-	-	3.8	7.4	8.6	950	1975	2750	4.40	8.66	11.69	90	95	98	5.93
	18	10	05	-	-	33	4.02	2.17	1.21	-	-	3.8	7.4	8.8	950	1975	2770	4.40	8.66	11.78	90	95	98	5.89
	22	10	05	-	-	37	4.35	1.96	1.09	-	-	3.8	7.4	8.8	950	1975	2770	4.40	8.66	11.78	90	95	98	5.92
	24	10	05	-	-	39	4.65	1.77	0.98	-	-	3.8	7.4	8.8	950	1975	2770	4.40	8.66	11.78	90	95	98	5.91
	13	13	05	-	-	31	3.08	3.08	1.25	-	-	3.8	7.4	8.6	950	1975	2750	4.40	8.66	11.69	90	95	98	5.93
	16	13	05	-	-	34	3.43	2.82	1.14	-	-	3.8	7.4	8.8	950	1975	2770	4.40	8.66	11.78	90	95	98	5.93
	18	13	05	-	-	36	3.63	2.68	1.09	-	-	3.8	7.4	8.8	950	1975	2770	4.40	8.66	11.78	90	95	98	5.89
	22	13	05	-	-	40	3.96	2.44	0.99	-	-	3.8	7.4	8.8	950	1975	2770	4.40	8.66	11.78	90	95	98	5.92
	24	13	05	-	-	42	4.27	2.23	0.90	-	-	3.8	7.4	8.8	950	1975	2770	4.40	8.66	11.78	90	95	98	5.91
	16	16	05	-	-	37	3.17	3.17	1.06	-	-	3.8	7.4	8.8	950	1975	2770	4.40	8.66	11.78	90	95	98	5.93
	18	16	05	-	-	39	3.36	3.03	1.01	-	-	3.8	7.4	8.8	950	1975	2770	4.40	8.66	11.78	90	95	98	5.89
	22	16	05	-	-	43	3.70	2.78	0.93	-	-	3.8	7.4	8.8	950	1975	2770	4.40	8.66	11.78	90	95	98	5.92
	24	16	05	-	-	45	4.06	2.58	0.86	-	-	3.8	7.5	9.0	950	2000	2800	4.40	8.77	11.90	90	95	98	5.93
	07	07	07	-	-	21	2.00	2.00	2.00	-	-	3.8	6.0	8.4	950	1400	2720	4.40	6.14	11.56	90	95	98	5.70
	10	07	07	-	-	24	2.70	2.00	2.00	-	-	3.8	6.7	8.4	950	1660	2720	4.40	7.28	11.56	90	95	98	5.86
	13	07	07	-	-	27	3.56	1.92	1.92	-	-	3.9	7.4	8.6	960	1975	2750	4.44	8.66	11.69	90	95	98	5.93
	16	07	07	-	-	30	3.92	1.74	1.74	-	-	3.9	7.4	8.6	960	1975	2750	4.44	8.66	11.69	90	95	98	5.93
	18	07	07	-	-	32	4.11	1.64	1.64	-	-	4.0	7.4	8.8	970	1975	2770	4.49	8.66	11.78	90	95	98	5.89
	22	07	07	-	-	36	4.44	1.48	1.48	-	-	4.0	7.4	8.8	970	1975	2770	4.49	8.66	11.78	90	95	98	6.18
	24	07	07	-	-	38	4.73	1.33	1.33	-	-	4.0	7.4	8.8	970	1975	2770	4.49	8.66	11.78	90	95	98	6.17
	10	10	07	-	-	27	2.70	2.70	2.00	-	-	3.8	7.4	8.4	950	1850	2720	4.40	8.11	11.56	90	95	98	5.97
	13	10	07	-	-	30	3.26	2.38	1.76	-	-	3.9	7.4	8.6	960	1975	2750	4.44	8.66	11.69	90	95	98	5.93
	16	10	07	-	-	33	3.62	2.17	1.61	-	-	4.0	7.4	8.8	970	1975	2770	4.49	8.66	11.78	90	95	98	5.92
18	10	07	-	-	35	3.81	2.06	1.53	-	-	4.0	7.4	8.8	970	1975	2770	4.49	8.66	11.78	90	95	98	5.89	
22	10	07	-	-	39	4.15	1.87	1.38	-	-	4.0	7.4	8.8	970	1975	2770	4.49	8.66	11.78	90	95	98	6.18	
24	10	07	-	-	41	4.45	1.69	1.25	-	-	4.0	7.4	8.8	970	1975	2770	4.49	8.66	11.78	90	95	98	6.17	
13	13	07	-	-	33	2.91	2.91	1.57	-	-	4.0	7.4	8.8	970	1975	2770	4.49	8.66	11.78	90	95	98	5.92	
16	13	07	-	-	36	3.26	2.68	1.45	-	-	4.0	7.4	8.8	970	1975	2770	4.49	8.66	11.78	90	95	98	5.92	
18	13	07	-	-	38	3.46	2.56	1.38	-	-	4.0	7.4	8.8	970	1975	2770	4.49	8.66	11.78	90	95	98	5.89	
22	13	07	-	-	42	3.79	2.34	1.26	-	-	4.0	7.4	8.8	970	1975	2770	4.49	8.66	11.78	90	95	98	6.18	
24	13	07	-	-	44	4.10	2.14	1.16	-	-	4.0	7.4	8.8	970	1975	2770	4.49	8.66	11.78	90	95	98	6.17	
16	16	07	-	-	39	3.03	3.03	1.35	-	-	4.0	7.4	8.8	970	1975	2770	4.49	8.66	11.78	90	95	98	6.05	
18	16	07	-	-	41	3.22	2.90	1.29	-	-	4.0	7.4	8.8	970	1975	2770	4.49	8.66	11.78	90	95	98	6.15	
22	16	07	-	-	45	3.60	2.70	1.20	-	-	4.1	7.5	9.0	980	2000	2800	4.54	8.77	11.90	90	95	98	6.18	
24	16	07	-	-	47	3.92	2.48	1.10	-	-	4.1	7.5	9.0	980	2000	2800	4.54	8.77	11.90	90	95	98	6.18	
10	10	10	-	-	30	2.47	2.47	2.47	-	-	3.9	7.4	8.6	960	1975	2750	4.44	8.66	11.69	90	95	98	5.93	
13	10	10	-	-	33	3.01	2.20	2.20	-	-	4.0	7.4	8.8	970	1975	2770	4.49	8.66	11.78	90	95	98	5.92	
16	10	10	-	-	36	3.36	2.02	2.02	-	-	4.0	7.4	8.8	970	1975	2770	4.49	8.66	11.78	90	95	98	5.92	
18	10	10	-	-	38	3.56	1.92	1.92	-	-	4.0	7.4	8.8	970	1975	2770	4.49	8.66	11.78	90	95	98	5.89	
22	10	10	-	-	42	3.89	1.75	1.75	-	-	4.0	7.4	8.8	970	1975	2770	4.49	8.66	11.78	90	95	98	6.18	
24	10	10	-	-	44	4.20	1.60	1.60	-	-	4.0	7.4	8.8	970	1975	2770	4.49	8.66	11.78	90	95	98	6.17	
13	13	10	-	-	36	2.71	2.71	1.98	-	-	4.0	7.4	8.8	970	1975	2770	4.49	8.66	11.78	90	95	98	5.92	
16	13	10	-	-	39	3.06	2.51	1.83	-	-	4.0	7.4	8.8	970	1975	2770	4.49	8.66	11.78	90	95	98	5.92	
18	13	10	-	-	41	3.25	2.40	1.75	-	-	4.0	7.4	8.8	970	1975	2770	4.49	8.66	11.78	90	95	98	6.03	
22	13	10	-	-	45	3.63	2.24	1.63	-	-	4.1	7.5	9.0	980	2000	2800	4.54	8.77	11.90	90	95	98	6.18	
24	13	10	-	-	47	3.94	2.06	1.50	-	-	4.1	7.5	9.0	980	2000	2800	4.54	8.77	11.90	90	95	98	6.18	
16	16	10	-	-	42	2.85																		

Operation mode : Heating

Power supply voltage : 220V

Operating status	Indoor unit					Unit capacity (kW)					Heating capacity (kW)			Power consumption (W)			Operating current (A)			Power factor (%)			SCOP	
	A	B	C	D	E	ΣkBTU	A	B	C	D	E	Min	Rate	Max	Min	Rate	Max	Min	Rate	Max	Min	Rate		Max
1 unit	05	-	-	-	-	5	2.00	-	-	-	-	0.8	2.0	2.7	300	600	900	1.87	3.13	4.17	73	87	98	-
	07	-	-	-	-	7	2.70	-	-	-	-	0.8	2.7	4.8	300	900	1980	1.87	4.70	9.18	73	87	98	-
	10	-	-	-	-	10	4.00	-	-	-	-	0.8	4.0	5.2	300	1450	1980	1.87	6.94	9.18	73	95	98	-
	13	-	-	-	-	13	5.00	-	-	-	-	0.8	5.0	6.5	310	2050	2750	1.93	9.81	12.76	73	95	98	-
	16	-	-	-	-	16	5.50	-	-	-	-	0.8	5.5	6.9	310	2400	3000	1.93	11.48	13.91	73	95	98	-
	18	-	-	-	-	18	6.00	-	-	-	-	0.8	6.0	7.1	310	2630	3200	1.93	12.58	14.84	73	95	98	-
	22	-	-	-	-	22	7.00	-	-	-	-	1.8	7.0	8.2	330	2620	3200	2.05	12.54	14.84	73	95	98	-
24	-	-	-	-	24	8.10	-	-	-	-	1.8	8.1	8.6	330	3080	3300	2.05	14.74	15.31	73	95	98	-	
2 units	05	05	-	-	-	10	2.00	2.00	-	-	-	2.0	4.0	6.4	320	850	1400	1.94	4.07	6.49	75	95	98	4.05
	07	05	-	-	-	12	2.70	2.00	-	-	-	2.0	4.7	6.9	320	1050	1540	1.94	5.02	7.14	75	95	98	4.14
	10	05	-	-	-	15	4.00	2.00	-	-	-	2.0	6.0	7.4	320	1350	1680	1.94	6.46	7.79	75	95	98	4.22
	13	05	-	-	-	18	5.00	2.00	-	-	-	2.0	7.0	8.9	320	1560	2120	1.94	7.46	9.83	75	95	98	4.22
	16	05	-	-	-	21	5.50	2.00	-	-	-	2.0	7.5	9.5	320	1700	2300	1.94	8.13	10.67	75	95	98	4.31
	18	05	-	-	-	23	5.70	1.90	-	-	-	2.0	7.6	9.8	320	1850	2400	1.94	8.85	11.13	75	95	98	4.31
	22	05	-	-	-	27	5.99	1.71	-	-	-	2.0	7.7	11.2	320	1980	2760	1.94	9.47	12.80	75	95	98	4.21
	24	05	-	-	-	29	6.34	1.56	-	-	-	2.0	7.9	11.2	320	1980	2770	1.94	9.47	12.85	75	95	98	4.21
	07	07	-	-	-	14	2.70	2.70	-	-	-	1.5	5.4	7.4	320	1400	2900	1.94	6.70	13.45	75	95	98	4.22
	10	07	-	-	-	17	4.00	2.70	-	-	-	1.5	6.7	8.9	320	1950	3050	1.94	9.33	14.15	75	95	98	4.22
	13	07	-	-	-	20	4.81	2.59	-	-	-	1.5	7.4	9.5	320	2300	3200	1.94	11.00	14.84	75	95	98	4.31
	16	07	-	-	-	23	5.10	2.50	-	-	-	1.5	7.6	9.5	320	2300	3200	1.94	11.00	14.84	75	95	98	4.31
	18	07	-	-	-	25	5.45	2.45	-	-	-	1.5	7.9	9.5	320	2450	3200	1.94	11.72	14.84	75	95	98	4.31
	22	07	-	-	-	29	5.70	2.20	-	-	-	1.5	7.9	9.8	320	2450	3200	1.94	11.72	14.84	75	95	98	4.21
	24	07	-	-	-	31	6.23	2.08	-	-	-	1.5	8.3	10.1	320	2500	3250	1.94	11.96	15.07	75	95	98	4.21
	10	10	-	-	-	20	3.60	3.60	-	-	-	1.5	7.2	9.5	320	2200	3200	1.94	10.53	14.84	75	95	98	4.31
	13	10	-	-	-	23	4.22	3.38	-	-	-	1.5	7.6	9.5	320	2300	3200	1.94	11.00	14.84	75	95	98	4.31
	16	10	-	-	-	26	4.57	3.33	-	-	-	1.5	7.9	9.5	320	2450	3200	1.94	11.72	14.84	75	95	98	4.31
	18	10	-	-	-	28	4.74	3.16	-	-	-	1.5	7.9	9.8	320	2450	3200	1.94	11.72	14.84	75	95	98	4.31
	22	10	-	-	-	32	5.28	3.02	-	-	-	1.5	8.3	10.1	320	2500	3250	1.94	11.96	15.07	75	95	98	4.21
	24	10	-	-	-	34	5.76	2.84	-	-	-	1.5	8.6	10.4	320	2550	3250	1.94	12.20	15.07	75	95	98	4.21
	13	13	-	-	-	26	3.95	3.95	-	-	-	1.5	7.9	9.8	320	2450	3200	1.94	11.72	14.84	75	95	98	4.31
	16	13	-	-	-	29	4.35	3.95	-	-	-	1.5	8.3	10.1	320	2500	3250	1.94	11.96	15.07	75	95	98	4.31
	18	13	-	-	-	31	4.53	3.77	-	-	-	1.5	8.3	10.1	320	2500	3250	1.94	11.96	15.07	75	95	98	4.31
22	13	-	-	-	35	5.02	3.58	-	-	-	1.5	8.6	10.4	320	2550	3250	1.94	12.20	15.07	75	95	98	4.21	
24	13	-	-	-	37	5.32	3.28	-	-	-	1.5	8.6	10.8	320	2550	3250	1.94	12.20	15.07	75	95	98	4.21	
16	16	-	-	-	32	4.30	4.30	-	-	-	1.5	8.6	10.4	320	2550	3250	1.94	12.20	15.07	75	95	98	4.31	
18	16	-	-	-	34	4.49	4.11	-	-	-	1.5	8.6	10.4	320	2550	3250	1.94	12.20	15.07	75	95	98	4.31	
22	16	-	-	-	38	4.82	3.78	-	-	-	1.5	8.6	10.8	320	2550	3250	1.94	12.20	15.07	75	95	98	4.21	
24	16	-	-	-	40	5.12	3.48	-	-	-	1.5	8.6	10.8	320	2550	3250	1.94	12.20	15.07	75	95	98	4.21	
18	18	-	-	-	36	4.30	4.30	-	-	-	1.5	8.6	10.8	320	2550	3250	1.94	12.20	15.07	75	95	98	4.30	
22	18	-	-	-	40	4.63	3.97	-	-	-	1.5	8.6	10.8	320	2550	3250	1.94	12.20	15.07	75	95	98	4.21	
24	18	-	-	-	42	4.94	3.66	-	-	-	1.5	8.6	10.8	320	2550	3250	1.94	12.20	15.07	75	95	98	4.21	

Specification values are those under the condition as follows ;

Heating : Capacity test condition, inside : 20 °C (Db), outside : 7 °C (Db) / 6 °C (Wb)

Piping length : 5 m. per indoor unit.

Operation mode : Heating

Power supply voltage : 220V

Operating status	Indoor unit					Unit capacity (kW)					Heating capacity (kW)			Power consumption (W)			Operating current (A)			Power factor (%)			SCOP Rate	
	A	B	C	D	E	ΣkBTU	A	B	C	D	E	Min	Rate	Max	Min	Rate	Max	Min	Rate	Max	Min	Rate		Max
3 units	05	05	05	-	-	15	2.00	2.00	2.00	-	-	2.0	6.0	9.5	380	1220	1400	2.16	5.84	6.49	80	95	98	4.43
	07	05	05	-	-	17	2.70	2.00	2.00	-	-	2.0	6.7	10.0	380	1400	1540	2.16	6.70	7.14	80	95	98	4.43
	10	05	05	-	-	20	4.00	2.00	2.00	-	-	2.0	8.0	10.8	380	1850	1680	2.16	8.85	7.79	80	95	98	4.43
	13	05	05	-	-	23	4.94	1.98	1.98	-	-	2.0	8.9	11.2	380	2180	1790	2.16	10.43	8.30	80	95	98	4.44
	16	05	05	-	-	26	5.15	1.87	1.87	-	-	2.0	8.9	11.2	380	2180	2400	2.16	10.43	11.13	80	95	98	4.44
	18	05	05	-	-	28	4.80	1.60	1.60	-	-	2.0	8.0	10.8	380	1850	2730	2.16	8.85	12.66	80	95	98	4.43
	22	05	05	-	-	32	5.66	1.62	1.62	-	-	2.0	8.9	11.2	380	2180	2870	2.16	10.43	13.31	80	95	98	4.30
	24	05	05	-	-	34	5.96	1.47	1.47	-	-	2.0	8.9	11.2	380	2180	2770	2.16	10.43	12.85	80	95	98	4.30
	07	07	05	-	-	19	2.70	2.70	2.00	-	-	2.0	7.4	10.8	380	1600	1680	2.16	7.66	7.79	80	95	98	4.43
	10	07	05	-	-	22	4.00	2.70	2.00	-	-	2.0	8.7	11.2	380	2180	2120	2.16	10.43	9.83	80	95	98	4.44
	13	07	05	-	-	25	4.59	2.48	1.84	-	-	2.0	8.9	11.2	380	2180	2400	2.16	10.43	11.13	80	95	98	4.44
	16	07	05	-	-	28	4.80	2.36	1.75	-	-	2.0	8.9	11.2	380	2180	2730	2.16	10.43	12.66	80	95	98	4.44
	18	07	05	-	-	30	4.99	2.25	1.66	-	-	2.0	8.9	11.2	380	2180	2730	2.16	10.43	12.66	80	95	98	4.43
	22	07	05	-	-	34	5.32	2.05	1.52	-	-	2.0	8.9	11.2	380	2180	2770	2.16	10.43	12.85	80	95	98	4.30
	24	07	05	-	-	36	5.63	1.88	1.39	-	-	2.0	8.9	11.2	380	2180	2780	2.16	10.43	12.89	80	95	98	4.30
	10	10	05	-	-	25	3.56	3.56	1.78	-	-	2.0	8.9	11.2	380	2180	2730	2.16	10.43	12.66	80	95	98	4.44
	13	10	05	-	-	28	4.05	3.24	1.62	-	-	2.0	8.9	11.2	380	2180	2870	2.16	10.43	13.31	80	95	98	4.44
	16	10	05	-	-	31	4.26	3.10	1.55	-	-	2.0	8.9	11.2	380	2180	2770	2.16	10.43	12.85	80	95	98	4.44
	18	10	05	-	-	33	4.45	2.97	1.48	-	-	2.0	8.9	11.2	380	2180	2770	2.16	10.43	12.85	80	95	98	4.43
	22	10	05	-	-	37	4.79	2.74	1.37	-	-	2.0	8.9	11.2	380	2180	2780	2.16	10.43	12.89	80	95	98	4.30
	24	10	05	-	-	39	5.11	2.52	1.26	-	-	2.0	8.9	11.2	380	2180	2790	2.16	10.43	12.94	80	95	98	4.30
	13	13	05	-	-	31	3.71	3.71	1.48	-	-	2.0	8.9	11.2	380	2180	2770	2.16	10.43	12.85	80	95	98	4.44
	16	13	05	-	-	34	3.92	3.56	1.42	-	-	2.0	8.9	11.2	380	2180	2780	2.16	10.43	12.89	80	95	98	4.44
	18	13	05	-	-	36	4.11	3.42	1.37	-	-	2.0	8.9	11.2	380	2180	2780	2.16	10.43	12.89	80	95	98	4.43
	22	13	05	-	-	40	4.45	3.18	1.27	-	-	2.0	8.9	11.2	380	2180	2790	2.16	10.43	12.94	80	95	98	4.30
	24	13	05	-	-	42	4.77	2.95	1.18	-	-	2.0	8.9	11.2	380	2180	2800	2.16	10.43	12.99	80	95	98	4.30
	16	16	05	-	-	37	3.77	3.77	1.37	-	-	2.0	8.9	11.2	380	2180	2780	2.16	10.43	12.89	80	95	98	4.44
	18	16	05	-	-	39	3.96	3.63	1.32	-	-	2.0	8.9	11.2	380	2180	2790	2.16	10.43	12.94	80	95	98	4.43
	22	16	05	-	-	43	4.30	3.38	1.23	-	-	2.0	8.9	11.2	380	2180	2790	2.16	10.43	12.94	80	95	98	4.30
	24	16	05	-	-	45	4.67	3.17	1.15	-	-	2.0	9.0	11.2	380	2200	2800	2.16	10.53	12.99	80	95	98	4.30
	07	07	07	-	-	21	2.70	2.70	2.70	-	-	2.0	8.1	10.8	380	1800	2750	2.16	8.61	12.76	80	95	98	4.44
	10	07	07	-	-	24	3.53	2.38	2.38	-	-	2.0	8.3	10.8	380	1900	2750	2.16	9.09	12.76	80	95	98	4.44
	13	07	07	-	-	27	4.28	2.31	2.31	-	-	2.0	8.9	10.8	380	2175	2750	2.16	10.41	12.76	80	95	98	4.44
	16	07	07	-	-	30	4.49	2.20	2.20	-	-	2.0	8.9	10.8	380	2175	2750	2.16	10.41	12.76	80	95	98	4.44
	18	07	07	-	-	32	4.68	2.11	2.11	-	-	2.0	8.9	11.0	380	2175	2830	2.16	10.41	13.13	80	95	98	4.43
	22	07	07	-	-	36	5.02	1.94	1.94	-	-	2.0	8.9	11.0	380	2175	2830	2.16	10.41	13.13	80	95	98	4.30
	24	07	07	-	-	38	5.34	1.78	1.78	-	-	2.0	8.9	11.0	380	2175	2830	2.16	10.41	13.13	80	95	98	4.30
	10	10	07	-	-	27	3.18	3.18	2.14	-	-	2.0	8.5	10.8	380	2000	2750	2.16	9.57	12.76	80	95	98	4.44
	13	10	07	-	-	30	3.80	3.04	2.05	-	-	2.0	8.9	10.8	380	2175	2750	2.16	10.41	12.76	80	95	98	4.44
	16	10	07	-	-	33	4.01	2.92	1.97	-	-	2.0	8.9	11.0	380	2175	2830	2.16	10.41	13.13	80	95	98	4.44
	18	10	07	-	-	35	4.20	2.80	1.89	-	-	2.0	8.9	11.0	380	2175	2830	2.16	10.41	13.13	80	95	98	4.43
	22	10	07	-	-	39	4.55	2.60	1.75	-	-	2.0	8.9	11.0	380	2175	2830	2.16	10.41	13.13	80	95	98	4.30
	24	10	07	-	-	41	4.87	2.41	1.62	-	-	2.0	8.9	11.0	380	2175	2830	2.16	10.41	13.13	80	95	98	4.30
	13	13	07	-	-	33	3.50	3.50	1.89	-	-	2.0	8.9	11.0	380	2175	2830	2.16	10.41	13.13	80	95	98	4.44
	16	13	07	-	-	36	3.71	3.37	1.82	-	-	2.0	8.9	11.0	380	2175	2830	2.16	10.41	13.13	80	95	98	4.44
	18	13	07	-	-	38	3.90	3.25	1.75	-	-	2.0	8.9	11.0	380	2175	2830	2.16	10.41	13.13	80	95	98	4.43
	22	13	07	-	-	42	4.24	3.03	1.63	-	-	2.0	8.9	11.0	380	2175	2830	2.16	10.41	13.13	80	95	98	4.30
	24	13	07	-	-	44	4.56	2.82	1.52	-	-	2.0	8.9	11.0	380	2175	2830	2.16	10.41	13.13	80	95	98	4.30
16	16	07	-	-	39	3.57	3.57	1.75	-	-	2.0	8.9	11.0	380	2175	2830	2.16	10.41	13.13	80	95	98	4.44	
18	16	07	-	-	41	3.76	3.45	1.69	-	-	2.0	8.9	11.0	380	2175	2830	2.16	10.41	13.13	80	95	98	4.43	
22	16	07	-	-	45	4.14	3.26	1.60	-	-	2.0	9.0	11.2	380	2200	2900	2.16	10.53	13.45	80	95	98	4.30	
24	16	07	-	-	47	4.47	3.04	1.49	-	-	2.0	9.0	11.2	380	2200	2900	2.16	10.53	13.45	80	95	98	4.30	
10	10	10	-	-	30	2.97	2.97	2.97	-	-	2.0	8.9	10.8	380	2175	2750	2.16	10.41	12.76	80	95	98	4.44	
13	10	10	-	-	33	3.42	2.74	2.74	-	-	2.0	8.9	11.0	380	2175	2830	2.16	10.41	13.13	80	95	98	4.44	
16	10	10	-	-	36	3.63	2.64	2.64	-	-	2.0	8.9	11.0	380	2175	2830	2.16	10.41	13.13	80	95	98	4.44	
18	10	10	-	-	38	3.81	2.54	2.54	-	-	2.0	8.9	11.0	380	2175	2830	2.16	10.41	13.13	80	95	98	4.43	
22	10	10	-	-	42	4.15	2.37	2.37	-	-	2.0	8.9	11.0	380	2175	2830	2.16	10.41	13.13	80	95	98	4.30	
24	10	10	-	-	44	4.48	2.21	2.21	-	-	2.0	8.9	11.0	380	2175	2830	2.16	10.41	13.13	80	95	98	4.30	
13	13	10	-	-	36	3.18	3.18	2.54	-	-	2.0	8.9	11.0	380	2175	2830	2.16	10.41	13.13	80	95	98	4.44	
16	13	10	-	-	39	3.38	3.07	2.46	-	-	2.0	8.9	11.0	380	2175	2830	2.16	10.41	13.13	80	95	98	4.44	
18	13	10	-	-	41	3.56	2.97	2.37	-	-	2.0	8.9	11.0	380	2175	2830	2.16	10.41	13.13	80	95	98	4.43	
22	13	10	-	-	45	3.94	2.81	2.25	-	-	2.0	9.0	11.2	380	2200	2900	2.16	10.53	13.45	80	95	98	4.30	
24	13	10	-	-	47	4.26	2.63	2.11	-	-	2.0	9.0	11.2	380	2200	2900	2.16	10.53</						

Operation mode : Heating
 Power supply voltage : 230V

Operating status	Indoor unit						Unit capacity (kW)					Heating capacity (kW)			Power consumption (W)			Operating current (A)			Power factor (%)			SCOP
	A	B	C	D	E	ΣkBTU	A	B	C	D	E	Min	Rate	Max	Min	Rate	Max	Min	Rate	Max	Min	Rate	Max	
1 unit	05	-	-	-	-	5	2.00	-	-	-	-	0.8	2.0	2.7	300	600	900	1.79	3.00	3.99	73	87	98	-
	07	-	-	-	-	7	2.70	-	-	-	-	0.8	2.7	4.8	300	900	1980	1.79	4.50	8.78	73	87	98	-
	10	-	-	-	-	10	4.00	-	-	-	-	0.8	4.0	5.2	300	1450	1980	1.79	6.64	8.78	73	95	98	-
	13	-	-	-	-	13	5.00	-	-	-	-	0.8	5.0	6.5	310	2050	2750	1.85	9.38	12.20	73	95	98	-
	16	-	-	-	-	16	5.50	-	-	-	-	0.8	5.5	6.9	310	2400	3000	1.85	10.98	13.31	73	95	98	-
	18	-	-	-	-	18	6.00	-	-	-	-	0.8	6.0	7.1	310	2630	3200	1.85	12.04	14.20	73	95	98	-
	22	-	-	-	-	22	7.00	-	-	-	-	1.8	7.0	8.2	330	2620	3200	1.97	11.99	14.20	73	95	98	-
24	-	-	-	-	24	8.10	-	-	-	-	1.8	8.1	8.6	330	3080	3300	1.97	14.10	14.64	73	95	98	-	
2 units	05	05	-	-	-	10	2.00	2.00	-	-	-	2.0	4.0	6.4	320	850	1400	1.86	3.89	6.21	75	95	98	4.05
	07	05	-	-	-	12	2.70	2.00	-	-	-	2.0	4.7	6.9	320	1050	1540	1.86	4.81	6.83	75	95	98	4.14
	10	05	-	-	-	15	4.00	2.00	-	-	-	2.0	6.0	7.4	320	1350	1680	1.86	6.18	7.45	75	95	98	4.22
	13	05	-	-	-	18	5.00	2.00	-	-	-	2.0	7.0	8.9	320	1560	2120	1.86	7.14	9.41	75	95	98	4.22
	16	05	-	-	-	21	5.50	2.00	-	-	-	2.0	7.5	9.5	320	1700	2300	1.86	7.78	10.20	75	95	98	4.31
	18	05	-	-	-	23	5.70	1.90	-	-	-	2.0	7.6	9.8	320	1850	2400	1.86	8.47	10.65	75	95	98	4.31
	22	05	-	-	-	27	5.99	1.71	-	-	-	2.0	7.7	11.2	320	1980	2760	1.86	9.06	12.24	75	95	98	4.21
	24	05	-	-	-	29	6.34	1.56	-	-	-	2.0	7.9	11.2	320	1980	2770	1.86	9.06	12.29	75	95	98	4.21
	07	07	-	-	-	14	2.70	2.70	-	-	-	1.5	5.4	7.4	320	1400	2900	1.86	6.41	12.87	75	95	98	4.22
	10	07	-	-	-	17	4.00	2.70	-	-	-	1.5	6.7	8.9	320	1950	3050	1.86	8.92	13.53	75	95	98	4.22
	13	07	-	-	-	20	4.81	2.59	-	-	-	1.5	7.4	9.5	320	2300	3200	1.86	10.53	14.20	75	95	98	4.31
	16	07	-	-	-	23	5.10	2.50	-	-	-	1.5	7.6	9.5	320	2300	3200	1.86	10.53	14.20	75	95	98	4.31
	18	07	-	-	-	25	5.45	2.45	-	-	-	1.5	7.9	9.5	320	2450	3200	1.86	11.21	14.20	75	95	98	4.31
	22	07	-	-	-	29	5.70	2.20	-	-	-	1.5	7.9	9.8	320	2450	3200	1.86	11.21	14.20	75	95	98	4.21
	24	07	-	-	-	31	6.23	2.08	-	-	-	1.5	8.3	10.1	320	2500	3250	1.86	11.44	14.42	75	95	98	4.21
	10	10	-	-	-	20	3.60	3.60	-	-	-	1.5	7.2	9.5	320	2200	3200	1.86	10.07	14.20	75	95	98	4.31
	13	10	-	-	-	23	4.22	3.38	-	-	-	1.5	7.6	9.5	320	2300	3200	1.86	10.53	14.20	75	95	98	4.31
	16	10	-	-	-	26	4.57	3.33	-	-	-	1.5	7.9	9.5	320	2450	3200	1.86	11.21	14.20	75	95	98	4.31
	18	10	-	-	-	28	4.74	3.16	-	-	-	1.5	7.9	9.8	320	2450	3200	1.86	11.21	14.20	75	95	98	4.31
	22	10	-	-	-	32	5.28	3.02	-	-	-	1.5	8.3	10.1	320	2500	3250	1.86	11.44	14.42	75	95	98	4.21
	24	10	-	-	-	34	5.76	2.84	-	-	-	1.5	8.6	10.4	320	2550	3250	1.86	11.67	14.42	75	95	98	4.21
	13	13	-	-	-	26	3.95	3.95	-	-	-	1.5	7.9	9.8	320	2450	3200	1.86	11.21	14.20	75	95	98	4.31
	16	13	-	-	-	29	4.35	3.95	-	-	-	1.5	8.3	10.1	320	2500	3250	1.86	11.44	14.42	75	95	98	4.31
	18	13	-	-	-	31	4.53	3.77	-	-	-	1.5	8.3	10.1	320	2500	3250	1.86	11.44	14.42	75	95	98	4.31
	22	13	-	-	-	35	5.02	3.58	-	-	-	1.5	8.6	10.4	320	2550	3250	1.86	11.67	14.42	75	95	98	4.21
	24	13	-	-	-	37	5.32	3.28	-	-	-	1.5	8.6	10.8	320	2550	3250	1.86	11.67	14.42	75	95	98	4.21
	16	16	-	-	-	32	4.30	4.30	-	-	-	1.5	8.6	10.4	320	2550	3250	1.86	11.67	14.42	75	95	98	4.31
	18	16	-	-	-	34	4.49	4.11	-	-	-	1.5	8.6	10.4	320	2550	3250	1.86	11.67	14.42	75	95	98	4.31
22	16	-	-	-	38	4.82	3.78	-	-	-	1.5	8.6	10.8	320	2550	3250	1.86	11.67	14.42	75	95	98	4.21	
24	16	-	-	-	40	5.12	3.48	-	-	-	1.5	8.6	10.8	320	2550	3250	1.86	11.67	14.42	75	95	98	4.21	
18	18	-	-	-	36	4.30	4.30	-	-	-	1.5	8.6	10.8	320	2550	3250	1.86	11.67	14.42	75	95	98	4.30	
22	18	-	-	-	40	4.63	3.97	-	-	-	1.5	8.6	10.8	320	2550	3250	1.86	11.67	14.42	75	95	98	4.21	
24	18	-	-	-	42	4.94	3.66	-	-	-	1.5	8.6	10.8	320	2550	3250	1.86	11.67	14.42	75	95	98	4.21	

Specification values are those under the condition as follows ;
 Heating : Capacity test condition, inside : 20 °C (Db), outside : 7 °C (Db) / 6 °C (Wb)
 Piping length : 5 m. per indoor unit.

Operation mode : Heating

Power supply voltage : 230V

Operating status	Indoor unit						Unit capacity (kW)					Heating capacity (kW)			Power consumption (W)			Operating current (A)			Power factor (%)			SCOP	
	A	B	C	D	E	ΣkBTU	A	B	C	D	E	Min	Rate	Max	Min	Rate	Max	Min	Rate	Max	Min	Rate	Max	Rate	
3 units	05	05	05	-	-	15	2.00	2.00	2.00	-	-	2.0	6.0	9.5	380	1220	1400	2.07	5.58	6.21	80	95	98	4.43	
	07	05	05	-	-	17	2.70	2.00	2.00	-	-	2.0	6.7	10.0	380	1400	1540	2.07	6.41	6.83	80	95	98	4.43	
	10	05	05	-	-	20	4.00	2.00	2.00	-	-	2.0	8.0	10.8	380	1850	1680	2.07	8.47	7.45	80	95	98	4.43	
	13	05	05	-	-	23	4.94	1.98	1.98	-	-	2.0	8.9	11.2	380	2180	1790	2.07	9.98	7.94	80	95	98	4.44	
	16	05	05	-	-	26	5.15	1.87	1.87	-	-	2.0	8.9	11.2	380	2180	2400	2.07	9.98	10.65	80	95	98	4.44	
	18	05	05	-	-	28	4.80	1.60	1.60	-	-	2.0	8.0	10.8	380	1850	2730	2.07	8.47	12.11	80	95	98	4.43	
	22	05	05	-	-	32	5.66	1.62	1.62	-	-	2.0	8.9	11.2	380	2180	2870	2.07	9.98	12.73	80	95	98	4.30	
	24	05	05	-	-	34	5.96	1.47	1.47	-	-	2.0	8.9	11.2	380	2180	2770	2.07	9.98	12.29	80	95	98	4.30	
	07	07	05	-	-	19	2.70	2.70	2.00	-	-	2.0	7.4	10.8	380	1600	1680	2.07	7.32	7.45	80	95	98	4.43	
	10	07	05	-	-	22	4.00	2.70	2.00	-	-	2.0	8.7	11.2	380	2180	2120	2.07	9.98	9.41	80	95	98	4.44	
	13	07	05	-	-	25	4.59	2.48	1.84	-	-	2.0	8.9	11.2	380	2180	2400	2.07	9.98	10.65	80	95	98	4.44	
	16	07	05	-	-	28	4.80	2.36	1.75	-	-	2.0	8.9	11.2	380	2180	2730	2.07	9.98	12.11	80	95	98	4.44	
	18	07	05	-	-	30	4.99	2.25	1.66	-	-	2.0	8.9	11.2	380	2180	2730	2.07	9.98	12.11	80	95	98	4.43	
	22	07	05	-	-	34	5.32	2.05	1.52	-	-	2.0	8.9	11.2	380	2180	2770	2.07	9.98	12.29	80	95	98	4.30	
	24	07	05	-	-	36	5.63	1.88	1.39	-	-	2.0	8.9	11.2	380	2180	2780	2.07	9.98	12.33	80	95	98	4.30	
	10	10	05	-	-	25	3.56	3.56	1.78	-	-	2.0	8.9	11.2	380	2180	2730	2.07	9.98	12.11	80	95	98	4.44	
	13	10	05	-	-	28	4.05	3.24	1.62	-	-	2.0	8.9	11.2	380	2180	2870	2.07	9.98	12.73	80	95	98	4.44	
	16	10	05	-	-	31	4.26	3.10	1.55	-	-	2.0	8.9	11.2	380	2180	2770	2.07	9.98	12.29	80	95	98	4.44	
	18	10	05	-	-	33	4.45	2.97	1.48	-	-	2.0	8.9	11.2	380	2180	2770	2.07	9.98	12.29	80	95	98	4.43	
	22	10	05	-	-	37	4.79	2.74	1.37	-	-	2.0	8.9	11.2	380	2180	2780	2.07	9.98	12.33	80	95	98	4.30	
	24	10	05	-	-	39	5.11	2.52	1.26	-	-	2.0	8.9	11.2	380	2180	2790	2.07	9.98	12.38	80	95	98	4.30	
	13	13	05	-	-	31	3.71	3.71	1.48	-	-	2.0	8.9	11.2	380	2180	2770	2.07	9.98	12.29	80	95	98	4.44	
	16	13	05	-	-	34	3.92	3.56	1.42	-	-	2.0	8.9	11.2	380	2180	2780	2.07	9.98	12.33	80	95	98	4.44	
	18	13	05	-	-	36	4.11	3.42	1.37	-	-	2.0	8.9	11.2	380	2180	2780	2.07	9.98	12.33	80	95	98	4.43	
	22	13	05	-	-	40	4.45	3.18	1.27	-	-	2.0	8.9	11.2	380	2180	2790	2.07	9.98	12.38	80	95	98	4.30	
	24	13	05	-	-	42	4.77	2.95	1.18	-	-	2.0	8.9	11.2	380	2180	2800	2.07	9.98	12.42	80	95	98	4.30	
	16	16	05	-	-	37	3.77	3.77	1.37	-	-	2.0	8.9	11.2	380	2180	2780	2.07	9.98	12.33	80	95	98	4.44	
	18	16	05	-	-	39	3.96	3.63	1.32	-	-	2.0	8.9	11.2	380	2180	2790	2.07	9.98	12.38	80	95	98	4.43	
	22	16	05	-	-	43	4.30	3.38	1.23	-	-	2.0	8.9	11.2	380	2180	2790	2.07	9.98	12.38	80	95	98	4.30	
	24	16	05	-	-	45	4.67	3.17	1.15	-	-	2.0	9.0	11.2	380	2200	2800	2.07	10.07	12.42	80	95	98	4.30	
	07	07	07	-	-	21	2.70	2.70	2.70	-	-	2.0	8.1	10.8	380	1800	2750	2.07	8.24	12.20	80	95	98	4.44	
	10	07	07	-	-	24	3.53	2.38	2.38	-	-	2.0	8.3	10.8	380	1900	2750	2.07	8.70	12.20	80	95	98	4.44	
	13	07	07	-	-	27	4.28	2.31	2.31	-	-	2.0	8.9	10.8	380	2175	2750	2.07	9.95	12.20	80	95	98	4.44	
	16	07	07	-	-	30	4.49	2.20	2.20	-	-	2.0	8.9	10.8	380	2175	2750	2.07	9.95	12.20	80	95	98	4.44	
	18	07	07	-	-	32	4.68	2.11	2.11	-	-	2.0	8.9	11.0	380	2175	2830	2.07	9.95	12.56	80	95	98	4.43	
	22	07	07	-	-	36	5.02	1.94	1.94	-	-	2.0	8.9	11.0	380	2175	2830	2.07	9.95	12.56	80	95	98	4.30	
	24	07	07	-	-	38	5.34	1.78	1.78	-	-	2.0	8.9	11.0	380	2175	2830	2.07	9.95	12.56	80	95	98	4.30	
	10	10	07	-	-	27	3.18	3.18	2.14	-	-	2.0	8.5	10.8	380	2000	2750	2.07	9.15	12.20	80	95	98	4.44	
	13	10	07	-	-	30	3.80	3.04	2.05	-	-	2.0	8.9	10.8	380	2175	2750	2.07	9.95	12.20	80	95	98	4.44	
	16	10	07	-	-	33	4.01	2.92	1.97	-	-	2.0	8.9	11.0	380	2175	2830	2.07	9.95	12.56	80	95	98	4.44	
18	10	07	-	-	35	4.20	2.80	1.89	-	-	2.0	8.9	11.0	380	2175	2830	2.07	9.95	12.56	80	95	98	4.43		
22	10	07	-	-	39	4.55	2.60	1.75	-	-	2.0	8.9	11.0	380	2175	2830	2.07	9.95	12.56	80	95	98	4.30		
24	10	07	-	-	41	4.87	2.41	1.62	-	-	2.0	8.9	11.0	380	2175	2830	2.07	9.95	12.56	80	95	98	4.30		
13	13	07	-	-	33	3.50	3.50	1.89	-	-	2.0	8.9	11.0	380	2175	2830	2.07	9.95	12.56	80	95	98	4.44		
16	13	07	-	-	36	3.71	3.37	1.82	-	-	2.0	8.9	11.0	380	2175	2830	2.07	9.95	12.56	80	95	98	4.44		
18	13	07	-	-	38	3.90	3.25	1.75	-	-	2.0	8.9	11.0	380	2175	2830	2.07	9.95	12.56	80	95	98	4.43		
22	13	07	-	-	42	4.24	3.03	1.63	-	-	2.0	8.9	11.0	380	2175	2830	2.07	9.95	12.56	80	95	98	4.30		
24	13	07	-	-	44	4.56	2.82	1.52	-	-	2.0	8.9	11.0	380	2175	2830	2.07	9.95	12.56	80	95	98	4.30		
16	16	07	-	-	39	3.57	3.57	1.75	-	-	2.0	8.9	11.0	380	2175	2830	2.07	9.95	12.56	80	95	98	4.44		
18	16	07	-	-	41	3.76	3.45	1.69	-	-	2.0	8.9	11.0	380	2175	2830	2.07	9.95	12.56	80	95	98	4.43		
22	16	07	-	-	45	4.14	3.26	1.60	-	-	2.0	9.0	11.2	380	2200	2900	2.07	10.07	12.87	80	95	98	4.30		
24	16	07	-	-	47	4.47	3.04	1.49	-	-	2.0	9.0	11.2	380	2200	2900	2.07	10.07	12.87	80	95	98	4.30		
10	10	10	-	-	30	2.97	2.97	2.97	-	-	2.0	8.9	10.8	380	2175	2750	2.07	9.95	12.20	80	95	98	4.44		
13	10	10	-	-	33	3.42	2.74	2.74	-	-	2.0	8.9	11.0	380	2175	2830	2.07	9.95	12.56	80	95	98	4.44		
16	10	10	-	-	36	3.63	2.64	2.64	-	-	2.0	8.9	11.0	380	2175	2830	2.07	9.95	12.56	80	95	98	4.44		
18	10	10	-	-	38	3.81	2.54	2.54	-	-	2.0	8.9	11.0	380	2175	2830	2.07	9.95	12.56	80	95	98	4.43		
22	10	10	-	-	42	4.15	2.37	2.37	-	-	2.0	8.9	11.0	380	2175	2830	2.07	9.95	12.56	80	95	98	4.30		
24	10	10	-	-	44	4.48	2.21	2.21	-	-	2.0	8.9	11.0	380	2175	2830	2.07	9.95	12.56	80	95	98	4.30		
13	13	10	-	-	36	3.18	3.18	2.54	-	-	2.0	8.9	11.0	380	2175	2830	2.07	9.95	12.56	80	95	98	4.44		
16	13	10	-	-	39	3.38	3.07	2.46	-	-	2.0	8.9	11.0	380	2175	2830	2.07	9.95	12.56	80	95	98	4.44		
18	13	10	-	-	41	3.56	2.97	2.37	-	-	2.0	8.9	11.0	380	2175	2830	2.07	9.95	12.56	80	95	98	4.43		
22	13	10	-	-	45	3.94	2.81	2.25	-	-	2.0	9.0	11.2	380	2200	2900	2.07	10.07	12.87	80	95	98	4.30		
24	13	10	-	-	47	4.26	2.63	2.11	-	-	2.0	9.0	11.2	380	2200	2900	2.07	10.07	12.87	80	95				

Operation mode : Heating

Power supply voltage : 240V

Operating status	Indoor unit					Unit capacity (kW)					Heating capacity (kW)			Power consumption (W)			Operating current (A)			Power factor (%)			SCOP	
	A	B	C	D	E	ΣkBTU	A	B	C	D	E	Min	Rate	Max	Min	Rate	Max	Min	Rate	Max	Min	Rate		Max
1 unit	05	-	-	-	-	5	2.00	-	-	-	-	0.8	2.0	2.7	300	600	900	1.71	2.87	3.83	73	87	98	-
	07	-	-	-	-	7	2.70	-	-	-	-	0.8	2.7	4.8	300	900	1980	1.71	4.31	8.42	73	87	98	-
	10	-	-	-	-	10	4.00	-	-	-	-	0.8	4.0	5.2	300	1450	1980	1.71	6.36	8.42	73	95	98	-
	13	-	-	-	-	13	5.00	-	-	-	-	0.8	5.0	6.5	310	2050	2750	1.77	8.99	11.69	73	95	98	-
	16	-	-	-	-	16	5.50	-	-	-	-	0.8	5.5	6.9	310	2400	3000	1.77	10.53	12.76	73	95	98	-
	18	-	-	-	-	18	6.00	-	-	-	-	0.8	6.0	7.1	310	2630	3200	1.77	11.54	13.61	73	95	98	-
	22	-	-	-	-	22	7.00	-	-	-	-	1.8	7.0	8.2	330	2620	3200	1.88	11.49	13.61	73	95	98	-
2 units	05	05	-	-	-	10	2.00	2.00	-	-	-	2.0	4.0	6.4	320	850	1400	1.78	3.73	5.95	75	95	98	4.05
	07	05	-	-	-	12	2.70	2.00	-	-	-	2.0	4.7	6.9	320	1050	1540	1.78	4.61	6.55	75	95	98	4.14
	10	05	-	-	-	15	4.00	2.00	-	-	-	2.0	6.0	7.4	320	1350	1680	1.78	5.92	7.14	75	95	98	4.22
	13	05	-	-	-	18	5.00	2.00	-	-	-	2.0	7.0	8.9	320	1560	2120	1.78	6.84	9.01	75	95	98	4.22
	16	05	-	-	-	21	5.50	2.00	-	-	-	2.0	7.5	9.5	320	1700	2300	1.78	7.46	9.78	75	95	98	4.31
	18	05	-	-	-	23	5.70	1.90	-	-	-	2.0	7.6	9.8	320	1850	2400	1.78	8.11	10.20	75	95	98	4.31
	22	05	-	-	-	27	5.99	1.71	-	-	-	2.0	7.7	11.2	320	1980	2760	1.78	8.68	11.73	75	95	98	4.21
	24	05	-	-	-	29	6.34	1.56	-	-	-	2.0	7.9	11.2	320	1980	2770	1.78	8.68	11.78	75	95	98	4.21
	07	07	-	-	-	14	2.70	2.70	-	-	-	1.5	5.4	7.4	320	1400	2900	1.78	6.14	12.33	75	95	98	4.22
	10	07	-	-	-	17	4.00	2.70	-	-	-	1.5	6.7	8.9	320	1950	3050	1.78	8.55	12.97	75	95	98	4.22
	13	07	-	-	-	20	4.81	2.59	-	-	-	1.5	7.4	9.5	320	2300	3200	1.78	10.09	13.61	75	95	98	4.31
	16	07	-	-	-	23	5.10	2.50	-	-	-	1.5	7.6	9.5	320	2300	3200	1.78	10.09	13.61	75	95	98	4.31
	18	07	-	-	-	25	5.45	2.45	-	-	-	1.5	7.9	9.5	320	2450	3200	1.78	10.75	13.61	75	95	98	4.31
	22	07	-	-	-	29	5.70	2.20	-	-	-	1.5	7.9	9.8	320	2450	3200	1.78	10.75	13.61	75	95	98	4.21
	24	07	-	-	-	31	6.23	2.08	-	-	-	1.5	8.3	10.1	320	2500	3250	1.78	10.96	13.82	75	95	98	4.21
	10	10	-	-	-	20	3.60	3.60	-	-	-	1.5	7.2	9.5	320	2200	3200	1.78	9.65	13.61	75	95	98	4.31
	13	10	-	-	-	23	4.22	3.38	-	-	-	1.5	7.6	9.5	320	2300	3200	1.78	10.09	13.61	75	95	98	4.31
	16	10	-	-	-	26	4.57	3.33	-	-	-	1.5	7.9	9.5	320	2450	3200	1.78	10.75	13.61	75	95	98	4.31
	18	10	-	-	-	28	4.74	3.16	-	-	-	1.5	7.9	9.8	320	2450	3200	1.78	10.75	13.61	75	95	98	4.31
	22	10	-	-	-	32	5.28	3.02	-	-	-	1.5	8.3	10.1	320	2500	3250	1.78	10.96	13.82	75	95	98	4.21
	24	10	-	-	-	34	5.76	2.84	-	-	-	1.5	8.6	10.4	320	2550	3250	1.78	11.18	13.82	75	95	98	4.21
	13	13	-	-	-	26	3.95	3.95	-	-	-	1.5	7.9	9.8	320	2450	3200	1.78	10.75	13.61	75	95	98	4.31
	16	13	-	-	-	29	4.35	3.95	-	-	-	1.5	8.3	10.1	320	2500	3250	1.78	10.96	13.82	75	95	98	4.31
	18	13	-	-	-	31	4.53	3.77	-	-	-	1.5	8.3	10.1	320	2500	3250	1.78	10.96	13.82	75	95	98	4.31
	22	13	-	-	-	35	5.02	3.58	-	-	-	1.5	8.6	10.4	320	2550	3250	1.78	11.18	13.82	75	95	98	4.21
	24	13	-	-	-	37	5.32	3.28	-	-	-	1.5	8.6	10.8	320	2550	3250	1.78	11.18	13.82	75	95	98	4.21
	16	16	-	-	-	32	4.30	4.30	-	-	-	1.5	8.6	10.4	320	2550	3250	1.78	11.18	13.82	75	95	98	4.31
	18	16	-	-	-	34	4.49	4.11	-	-	-	1.5	8.6	10.4	320	2550	3250	1.78	11.18	13.82	75	95	98	4.31
	22	16	-	-	-	38	4.82	3.78	-	-	-	1.5	8.6	10.8	320	2550	3250	1.78	11.18	13.82	75	95	98	4.21
	24	16	-	-	-	40	5.12	3.48	-	-	-	1.5	8.6	10.8	320	2550	3250	1.78	11.18	13.82	75	95	98	4.21
	18	18	-	-	-	36	4.30	4.30	-	-	-	1.5	8.6	10.8	320	2550	3250	1.78	11.18	13.82	75	95	98	4.30
22	18	-	-	-	40	4.63	3.97	-	-	-	1.5	8.6	10.8	320	2550	3250	1.78	11.18	13.82	75	95	98	4.21	
24	18	-	-	-	42	4.94	3.66	-	-	-	1.5	8.6	10.8	320	2550	3250	1.78	11.18	13.82	75	95	98	4.21	

Specification values are those under the condition as follows :

Heating : Capacity test condition, inside : 20 °C (Db), outside : 7 °C (Db) / 6 °C (Wb)

Piping length : 5 m. per indoor unit.

Operation mode : Heating

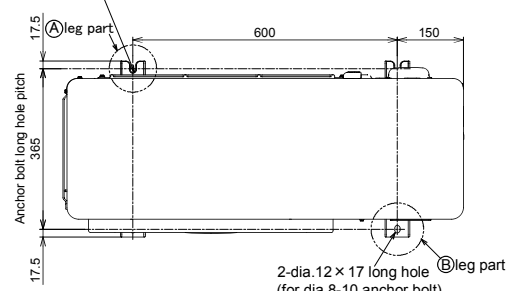
Power supply voltage : 240V

Operating status	Indoor unit						Unit capacity (kW)					Heating capacity (kW)			Power consumption (W)			Operating current (A)			Power factor (%)			SCOP Rate
	A	B	C	D	E	ΣkBTU	A	B	C	D	E	Min	Rate	Max	Min	Rate	Max	Min	Rate	Max	Min	Rate	Max	
3 units	05	05	05	-	-	15	2.00	2.00	2.00	-	-	2.0	6.0	9.5	380	1220	1400	1.98	5.35	5.95	80	95	98	4.43
	07	05	05	-	-	17	2.70	2.00	2.00	-	-	2.0	6.7	10.0	380	1400	1540	1.98	6.14	6.55	80	95	98	4.43
	10	05	05	-	-	20	4.00	2.00	2.00	-	-	2.0	8.0	10.8	380	1850	1680	1.98	8.11	7.14	80	95	98	4.43
	13	05	05	-	-	23	4.94	1.98	1.98	-	-	2.0	8.9	11.2	380	2180	1790	1.98	9.56	7.61	80	95	98	4.44
	16	05	05	-	-	26	5.15	1.87	1.87	-	-	2.0	8.9	11.2	380	2180	2400	1.98	9.56	10.20	80	95	98	4.44
	18	05	05	-	-	28	4.80	1.60	1.60	-	-	2.0	8.0	10.8	380	1850	2730	1.98	8.11	11.61	80	95	98	4.43
	22	05	05	-	-	32	5.66	1.62	1.62	-	-	2.0	8.9	11.2	380	2180	2870	1.98	9.56	12.20	80	95	98	4.30
	24	05	05	-	-	34	5.96	1.47	1.47	-	-	2.0	8.9	11.2	380	2180	2770	1.98	9.56	11.78	80	95	98	4.30
	07	07	05	-	-	19	2.70	2.70	2.00	-	-	2.0	7.4	10.8	380	1600	1680	1.98	7.02	7.14	80	95	98	4.43
	10	07	05	-	-	22	4.00	2.70	2.00	-	-	2.0	8.7	11.2	380	2180	2120	1.98	9.56	9.01	80	95	98	4.44
	13	07	05	-	-	25	4.59	2.48	1.84	-	-	2.0	8.9	11.2	380	2180	2400	1.98	9.56	10.20	80	95	98	4.44
	16	07	05	-	-	28	4.80	2.36	1.75	-	-	2.0	8.9	11.2	380	2180	2730	1.98	9.56	11.61	80	95	98	4.44
	18	07	05	-	-	30	4.99	2.25	1.66	-	-	2.0	8.9	11.2	380	2180	2730	1.98	9.56	11.61	80	95	98	4.43
	22	07	05	-	-	34	5.32	2.05	1.52	-	-	2.0	8.9	11.2	380	2180	2770	1.98	9.56	11.78	80	95	98	4.30
	24	07	05	-	-	36	5.63	1.88	1.39	-	-	2.0	8.9	11.2	380	2180	2780	1.98	9.56	11.82	80	95	98	4.30
	10	10	05	-	-	25	3.56	3.56	1.78	-	-	2.0	8.9	11.2	380	2180	2730	1.98	9.56	11.61	80	95	98	4.44
	13	10	05	-	-	28	4.05	3.24	1.62	-	-	2.0	8.9	11.2	380	2180	2870	1.98	9.56	12.20	80	95	98	4.44
	16	10	05	-	-	31	4.26	3.10	1.55	-	-	2.0	8.9	11.2	380	2180	2770	1.98	9.56	11.78	80	95	98	4.44
	18	10	05	-	-	33	4.45	2.97	1.48	-	-	2.0	8.9	11.2	380	2180	2770	1.98	9.56	11.78	80	95	98	4.43
	22	10	05	-	-	37	4.79	2.74	1.37	-	-	2.0	8.9	11.2	380	2180	2780	1.98	9.56	11.82	80	95	98	4.30
	24	10	05	-	-	39	5.11	2.52	1.26	-	-	2.0	8.9	11.2	380	2180	2790	1.98	9.56	11.86	80	95	98	4.30
	13	13	05	-	-	31	3.71	3.71	1.48	-	-	2.0	8.9	11.2	380	2180	2770	1.98	9.56	11.78	80	95	98	4.44
	16	13	05	-	-	34	3.92	3.56	1.42	-	-	2.0	8.9	11.2	380	2180	2780	1.98	9.56	11.82	80	95	98	4.44
	18	13	05	-	-	36	4.11	3.42	1.37	-	-	2.0	8.9	11.2	380	2180	2780	1.98	9.56	11.82	80	95	98	4.43
	22	13	05	-	-	40	4.45	3.18	1.27	-	-	2.0	8.9	11.2	380	2180	2790	1.98	9.56	11.86	80	95	98	4.30
	24	13	05	-	-	42	4.77	2.95	1.18	-	-	2.0	8.9	11.2	380	2180	2800	1.98	9.56	11.90	80	95	98	4.30
	16	16	05	-	-	37	3.77	3.77	1.37	-	-	2.0	8.9	11.2	380	2180	2780	1.98	9.56	11.82	80	95	98	4.44
	18	16	05	-	-	39	3.96	3.63	1.32	-	-	2.0	8.9	11.2	380	2180	2790	1.98	9.56	11.86	80	95	98	4.43
	22	16	05	-	-	43	4.30	3.38	1.23	-	-	2.0	8.9	11.2	380	2180	2790	1.98	9.56	11.86	80	95	98	4.30
	24	16	05	-	-	45	4.67	3.17	1.15	-	-	2.0	9.0	11.2	380	2200	2800	1.98	9.65	11.90	80	95	98	4.30
	07	07	07	-	-	21	2.70	2.70	2.70	-	-	2.0	8.1	10.8	380	1800	2750	1.98	7.89	11.69	80	95	98	4.44
	10	07	07	-	-	24	3.53	2.38	2.38	-	-	2.0	8.3	10.8	380	1900	2750	1.98	8.33	11.69	80	95	98	4.44
	13	07	07	-	-	27	4.28	2.31	2.31	-	-	2.0	8.9	10.8	380	2175	2750	1.98	9.54	11.69	80	95	98	4.44
	16	07	07	-	-	30	4.49	2.20	2.20	-	-	2.0	8.9	10.8	380	2175	2750	1.98	9.54	11.69	80	95	98	4.44
	18	07	07	-	-	32	4.68	2.11	2.11	-	-	2.0	8.9	11.0	380	2175	2830	1.98	9.54	12.03	80	95	98	4.43
	22	07	07	-	-	36	5.02	1.94	1.94	-	-	2.0	8.9	11.0	380	2175	2830	1.98	9.54	12.03	80	95	98	4.30
	24	07	07	-	-	38	5.34	1.78	1.78	-	-	2.0	8.9	11.0	380	2175	2830	1.98	9.54	12.03	80	95	98	4.30
	10	10	07	-	-	27	3.18	3.18	2.14	-	-	2.0	8.5	10.8	380	2000	2750	1.98	8.77	11.69	80	95	98	4.44
	13	10	07	-	-	30	3.80	3.04	2.05	-	-	2.0	8.9	10.8	380	2175	2750	1.98	9.54	11.69	80	95	98	4.44
	16	10	07	-	-	33	4.01	2.92	1.97	-	-	2.0	8.9	11.0	380	2175	2830	1.98	9.54	12.03	80	95	98	4.44
	18	10	07	-	-	35	4.20	2.80	1.89	-	-	2.0	8.9	11.0	380	2175	2830	1.98	9.54	12.03	80	95	98	4.43
	22	10	07	-	-	39	4.55	2.60	1.75	-	-	2.0	8.9	11.0	380	2175	2830	1.98	9.54	12.03	80	95	98	4.30
	24	10	07	-	-	41	4.87	2.41	1.62	-	-	2.0	8.9	11.0	380	2175	2830	1.98	9.54	12.03	80	95	98	4.30
	13	13	07	-	-	33	3.50	3.50	1.89	-	-	2.0	8.9	11.0	380	2175	2830	1.98	9.54	12.03	80	95	98	4.44
	16	13	07	-	-	36	3.71	3.37	1.82	-	-	2.0	8.9	11.0	380	2175	2830	1.98	9.54	12.03	80	95	98	4.44
	18	13	07	-	-	38	3.90	3.25	1.75	-	-	2.0	8.9	11.0	380	2175	2830	1.98	9.54	12.03	80	95	98	4.43
	22	13	07	-	-	42	4.24	3.03	1.63	-	-	2.0	8.9	11.0	380	2175	2830	1.98	9.54	12.03	80	95	98	4.30
	24	13	07	-	-	44	4.56	2.82	1.52	-	-	2.0	8.9	11.0	380	2175	2830	1.98	9.54	12.03	80	95	98	4.30
	16	16	07	-	-	39	3.57	3.57	1.75	-	-	2.0	8.9	11.0	380	2175	2830	1.98	9.54	12.03	80	95	98	4.44
	18	16	07	-	-	41	3.76	3.45	1.69	-	-	2.0	8.9	11.0	380	2175	2830	1.98	9.54	12.03	80	95	98	4.43
	22	16	07	-	-	45	4.14	3.26	1.60	-	-	2.0	9.0	11.2	380	2200	2900	1.98	9.65	12.33	80	95	98	4.30
	24	16	07	-	-	47	4.47	3.04	1.49	-	-	2.0	9.0	11.2	380	2200	2900	1.98	9.65	12.33	80	95	98	4.30
	10	10	10	-	-	30	2.97	2.97	2.97	-	-	2.0	8.9	10.8	380	2175	2750	1.98	9.54	11.69	80	95	98	4.44
	13	10	10	-	-	33	3.42	2.74	2.74	-	-	2.0	8.9	11.0	380	2175	2830	1.98	9.54	12.03	80	95	98	4.44
16	10	10	-	-	36	3.63	2.64	2.64	-	-	2.0	8.9	11.0	380	2175	2830	1.98	9.54	12.03	80	95	98	4.44	
18	10	10	-	-	38	3.81	2.54	2.54	-	-	2.0	8.9	11.0	380	2175	2830	1.98	9.54	12.03	80	95	98	4.43	
22	10	10	-	-	42	4.15	2.37	2.37	-	-	2.0	8.9	11.0	380	2175	2830	1.98	9.54	12.03	80	95	98	4.30	
24	10	10	-	-	44	4.48	2.21	2.21	-	-	2.0	8.9	11.0	380	2175	2830	1.98	9.54	12.03	80	95	98	4.30	
13	13	10	-	-	36	3.18	3.18	2.54	-	-	2.0	8.9	11.0	380	2175	2830	1.98	9.54	12.03	80	95	98	4.44	
16	13	10	-	-	39	3.38	3.07	2.46	-	-	2.0	8.9	11.0	380	2175	2830	1.98	9.54	12.03	80	95	98	4.44	
18	13	10	-	-	41	3.56	2.97	2.37	-	-	2.0	8.9	11.0	380	2175	2830	1.98	9.54	12.03	80	95	98	4.43	
22	13	10	-	-	45	3.94	2.81	2.25	-	-	2.0	9.0	11.2	380	2200	2900	1.98	9.65	12.33	80	95	98	4.30	
24	13	10	-	-	47	4.26	2.63	2.11	-	-	2.0	9.0	11.2	380	2200	2900	1.98	9.65	12.33	80	95	98	4.30	
16																								

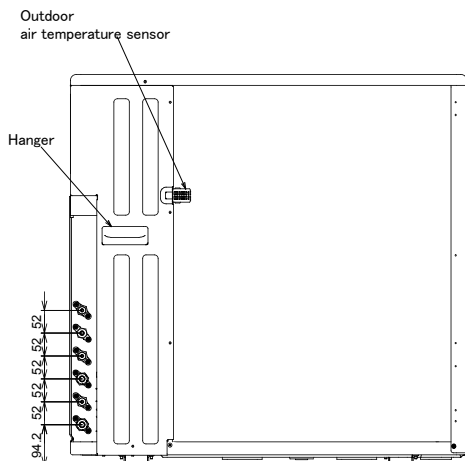
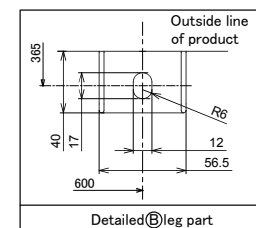
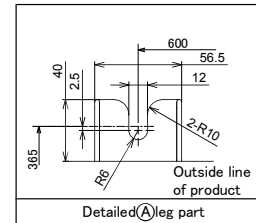
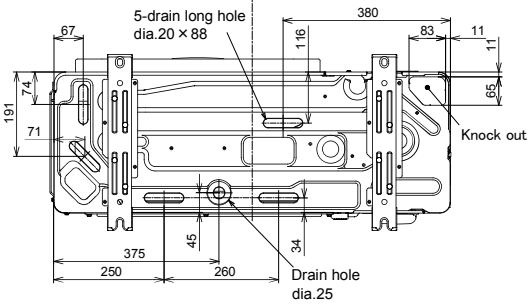
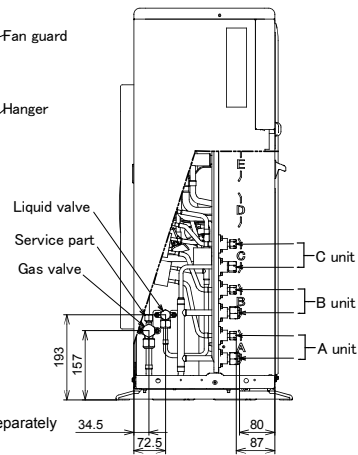
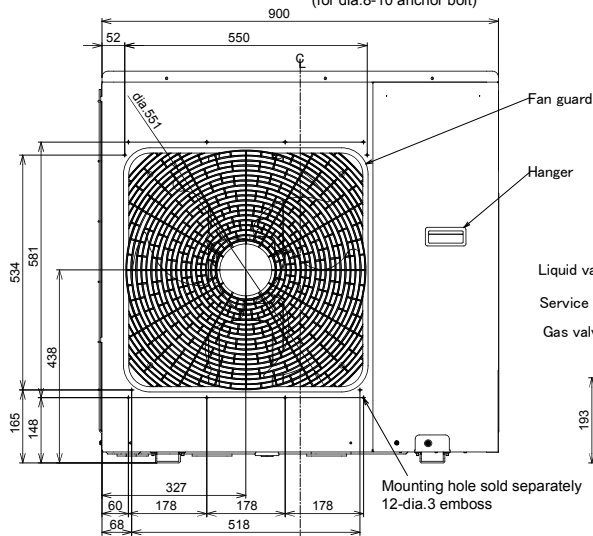
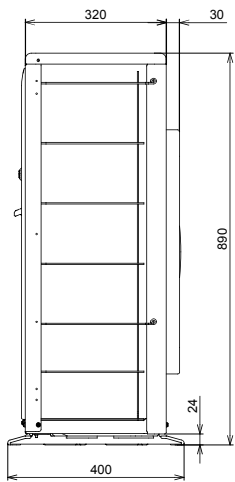
3. Dimension

RAS-3M26U2AVG-E

2-dia.12 × 17 U-sharp hole
(for dia.8-10 anchor bolt)

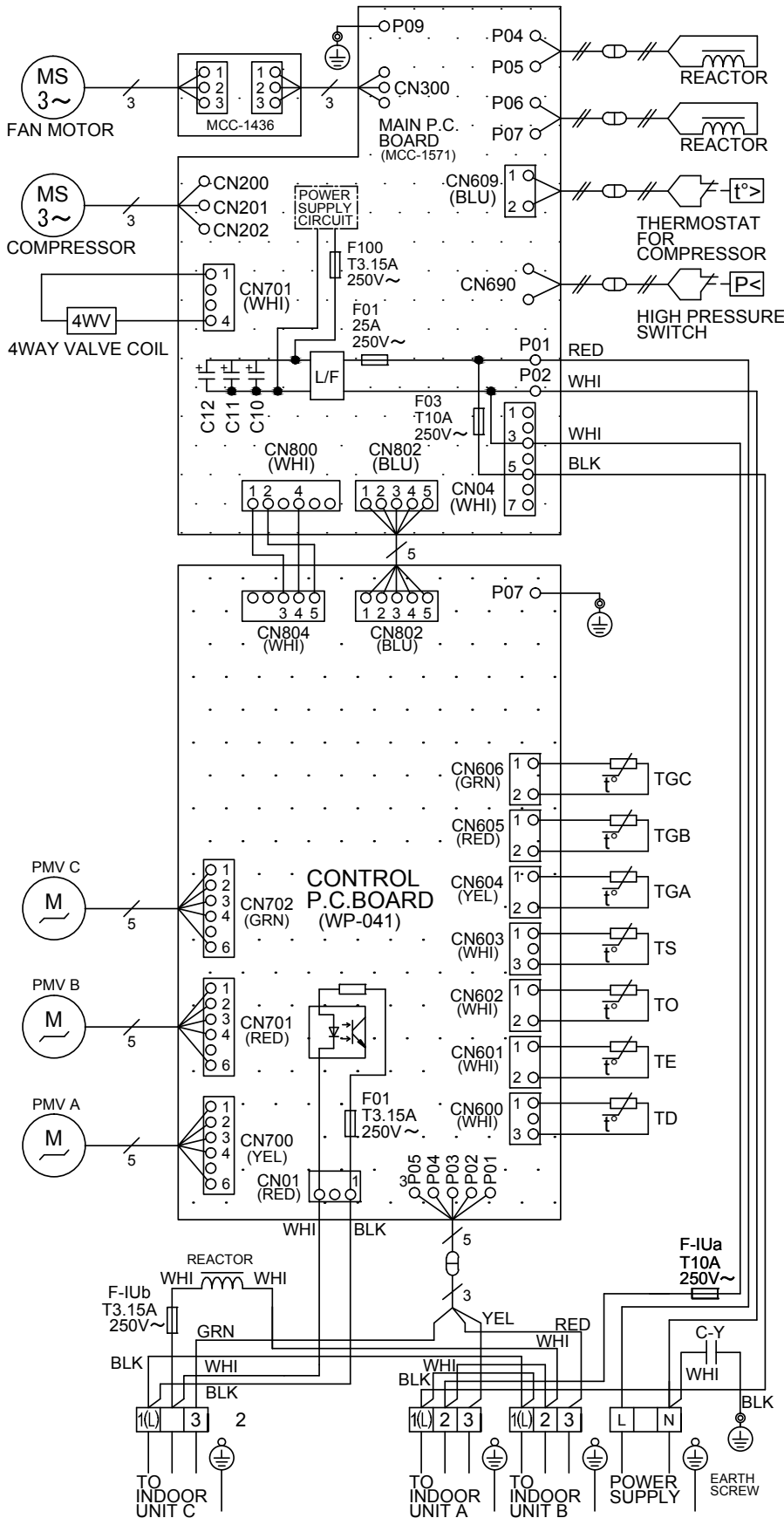


Diameter of Pipe connecting port	Unit C	Liquid side	Ø 6.35
		Gas side	Ø 9.52
	Unit B	Liquid side	Ø 6.35
		Gas side	Ø 12.7
Unit A	Liquid side	Ø 6.35	
	Gas side	Ø 12.7	
Model Name		RAS-3M26U2AVG-E	



4. Wiring diagrams

RAS-3M26U2AVG-E



CAUTION : HIGH VOLTAGE

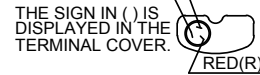
The high voltage circuit is incorporated. Be careful to do the check service, as the electric shock may be caused in case of touching parts on the P.C. board by hand.

COLOR IDENTIFICATION

BLK:BLACK	GRN:GREEN
BLU:BLUE	WHI:WHITE
RED:RED	YEL:YELLOW
GRY:GRAY	

WIRING DIAGRAM

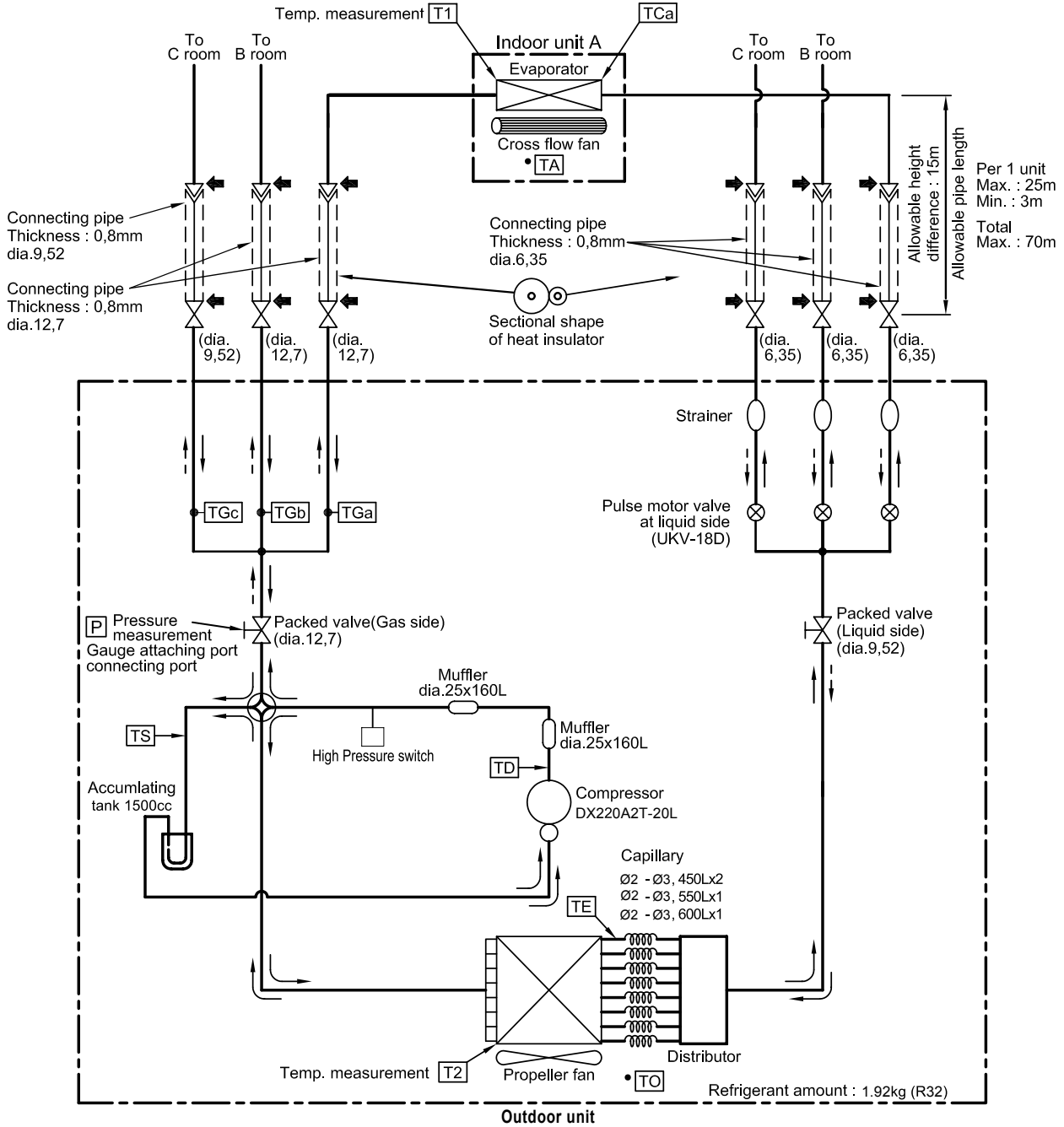
TERMINAL OF COMPRESSOR
WHITE(S) BLACK(C)



Symbol	Part name
PMV	PULSE MOTOR VALVE
TD	DISCHARGE PIPE TEMP. SENSOR
TE	CONDENSER PIPE TEMP. SENSOR
TO	OUTDOOR TEMP. SENSOR
TS	SUCTION PIPE TEMP. SENSOR
TGA-TGC	GAS SIDE PIPE TEMP. SENSOR A~C
L / F	LINE FILTER
F-IUa, F-IUb	PROTECTION CONNECTING FUSE a, b
C-Y	Y-CAPACITOR

5. Refrigerant Diagrams

RAS-3M26U2AVG-E



NOTE :

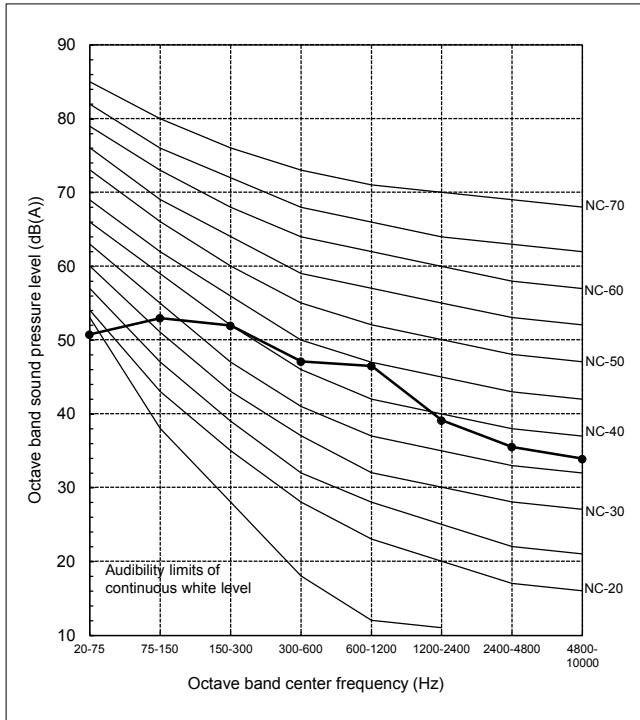
- You need not add refrigerant if the piping length is 40m or less.
- If the length exceeds 41m, add 20g of refrigerant per 1 meter over.
- Connection of only one indoor unit is unavailable. Two or more indoor units should be connected.

6. Sound Characteristics (NC Curve)

RES-3M26U2AVG-E

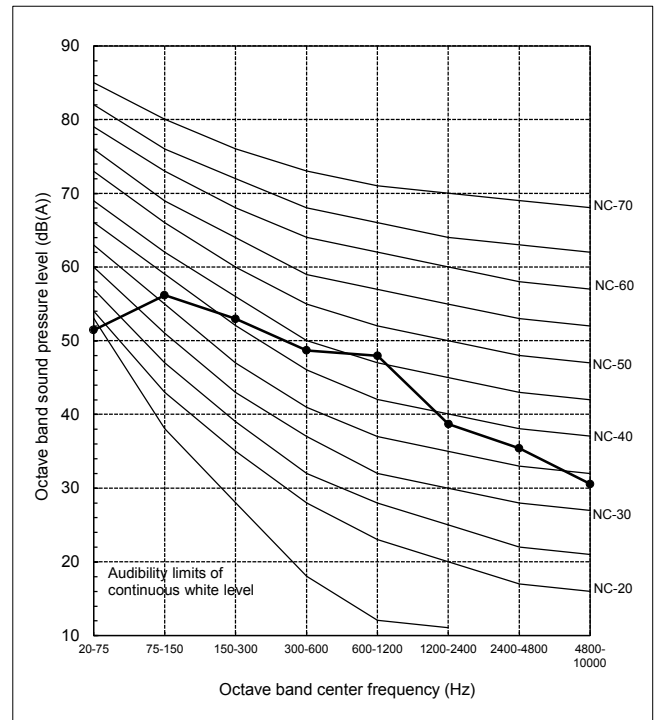
(Cooling)

Fan Tap	Cooling
Sound pressure level (dB(A))	48

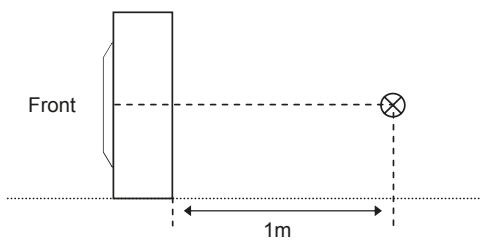


(Heating)

Fan Tap	Heating
Sound pressure level (dB(A))	49



Sound level values shown are based on a measurement in a non resonant room.



7. Capacity table

Cooling

3 - rooms multisplit : 1 - units operation

Indoor units : 05 type 16 type
 07 type 18 type
 10 type 22 type
 13 type 24 type

Outdoor unit : RAS-3M26U2AVG-E

TC : Total capacity[kW]

PI : Power input [kW]

Combination (Capacity)	Outdoor air temp. [°C DB]	Indoor air temp. [°C WB]											
		14		16		18		19		22		24	
		TC [kW]	PI [kW]	TC [kW]	PI [kW]	TC [kW]	PI [kW]	TC [kW]	PI [kW]	TC [kW]	PI [kW]	TC [kW]	PI [kW]
05	46	1.17	0.70	1.24	0.71	1.31	0.72	1.35	0.73	1.45	0.74	1.52	0.75
	43	1.22	0.68	1.28	0.69	1.35	0.70	1.39	0.70	1.49	0.72	1.56	0.73
	40	1.26	0.66	1.33	0.67	1.40	0.68	1.43	0.68	1.53	0.70	1.60	0.71
	35	1.33	0.61	1.40	0.62	1.47	0.63	1.50	0.64	1.60	0.65	1.67	0.66
	32	1.37	0.60	1.44	0.61	1.51	0.62	1.54	0.62	1.65	0.64	1.72	0.65
	25	1.47	0.55	1.54	0.55	1.61	0.57	1.64	0.57	1.74	0.59	1.81	0.59
	22	1.51	0.52	1.58	0.53	1.65	0.55	1.68	0.55	1.78	0.57	1.86	0.57
07	46	1.56	0.71	1.66	0.72	1.75	0.73	1.80	0.74	1.93	0.75	2.03	0.76
	43	1.62	0.69	1.71	0.70	1.81	0.71	1.85	0.72	1.99	0.73	2.08	0.74
	40	1.68	0.67	1.77	0.68	1.86	0.69	1.91	0.69	2.05	0.71	2.14	0.72
	35	1.77	0.62	1.86	0.63	1.95	0.64	2.00	0.65	2.14	0.67	2.23	0.68
	32	1.83	0.61	1.92	0.61	2.01	0.63	2.06	0.63	2.19	0.65	2.29	0.66
	25	1.96	0.55	2.05	0.56	2.14	0.58	2.19	0.58	2.32	0.60	2.42	0.60
	22	2.01	0.53	2.10	0.54	2.20	0.55	2.24	0.55	2.38	0.57	2.47	0.58
10	46	2.11	0.82	2.24	0.83	2.36	0.84	2.42	0.85	2.61	0.87	2.74	0.88
	43	2.19	0.80	2.31	0.81	2.44	0.82	2.50	0.83	2.69	0.84	2.81	0.85
	40	2.26	0.77	2.39	0.78	2.51	0.79	2.58	0.80	2.76	0.82	2.89	0.83
	35	2.39	0.72	2.51	0.73	2.64	0.74	2.70	0.75	2.89	0.77	3.01	0.78
	32	2.46	0.70	2.59	0.71	2.71	0.73	2.78	0.73	2.96	0.75	3.09	0.76
	25	2.64	0.64	2.77	0.65	2.89	0.67	2.95	0.67	3.14	0.69	3.26	0.70
	22	2.72	0.61	2.84	0.62	2.97	0.64	3.03	0.64	3.21	0.66	3.34	0.67
13	46	2.90	1.31	3.07	1.33	3.24	1.35	3.32	1.36	3.58	1.39	3.75	1.41
	43	3.00	1.27	3.17	1.29	3.34	1.31	3.43	1.32	3.68	1.35	3.85	1.37
	40	3.10	1.23	3.27	1.25	3.44	1.27	3.53	1.28	3.78	1.31	3.96	1.32
	35	3.27	1.15	3.44	1.17	3.61	1.19	3.70	1.20	3.96	1.23	4.13	1.25
	32	3.38	1.12	3.55	1.13	3.72	1.16	3.81	1.16	4.06	1.20	4.23	1.21
	25	3.62	1.02	3.79	1.03	3.96	1.06	4.05	1.07	4.30	1.10	4.47	1.11
	22	3.72	0.98	3.89	0.99	4.06	1.02	4.15	1.02	4.40	1.06	4.58	1.07
16	46	3.52	1.81	3.73	1.83	3.94	1.86	4.04	1.88	4.35	1.91	4.56	1.94
	43	3.65	1.75	3.85	1.78	4.06	1.80	4.17	1.82	4.48	1.85	4.69	1.88
	40	3.77	1.69	3.98	1.72	4.19	1.75	4.29	1.76	4.60	1.80	4.81	1.82
	35	3.98	1.58	4.19	1.61	4.40	1.64	4.50	1.65	4.81	1.69	5.02	1.71
	32	4.11	1.54	4.32	1.56	4.52	1.60	4.63	1.60	4.94	1.65	5.15	1.67
	25	4.40	1.41	4.61	1.42	4.82	1.46	4.92	1.47	5.23	1.52	5.44	1.53
	22	4.53	1.35	4.73	1.36	4.94	1.41	5.05	1.41	5.35	1.46	5.57	1.47
18	46	3.91	2.14	4.14	2.17	4.37	2.20	4.49	2.22	4.83	2.26	5.07	2.29
	43	4.05	2.07	4.28	2.10	4.51	2.13	4.63	2.15	4.97	2.19	5.21	2.22
	40	4.19	2.00	4.42	2.03	4.65	2.06	4.77	2.08	5.11	2.12	5.35	2.15
	35	4.42	1.87	4.65	1.90	4.88	1.93	5.00	1.95	5.35	2.00	5.58	2.03
	32	4.56	1.82	4.79	1.84	5.03	1.89	5.14	1.89	5.48	1.95	5.72	1.97
	25	4.89	1.66	5.12	1.68	5.35	1.73	5.47	1.73	5.81	1.79	6.04	1.81
	22	5.03	1.59	5.26	1.61	5.49	1.66	5.61	1.66	5.95	1.72	6.18	1.74
22	46	4.69	2.21	4.97	2.24	5.25	2.27	5.39	2.30	5.80	2.34	6.08	2.37
	43	4.86	2.14	5.14	2.17	5.42	2.21	5.56	2.22	5.97	2.27	6.25	2.30
	40	5.03	2.07	5.31	2.10	5.58	2.14	5.72	2.15	6.14	2.20	6.42	2.23
	35	5.31	1.94	5.58	1.97	5.86	2.00	6.00	2.02	6.41	2.07	6.69	2.10
	32	5.48	1.89	5.75	1.91	6.03	1.95	6.17	1.96	6.58	2.02	6.86	2.04
	25	5.87	1.72	6.15	1.74	6.42	1.79	6.56	1.79	6.97	1.85	7.25	1.87
	22	6.04	1.65	6.31	1.67	6.59	1.72	6.73	1.72	7.14	1.79	7.42	1.80
24	46	5.56	2.62	5.88	2.66	6.21	2.69	6.38	2.72	6.87	2.77	7.19	2.81
	43	5.75	2.54	6.08	2.57	6.41	2.61	6.57	2.63	7.06	2.68	7.39	2.72
	40	5.95	2.45	6.28	2.49	6.61	2.53	6.77	2.55	7.26	2.60	7.59	2.64
	35	6.28	2.30	6.61	2.33	6.94	2.37	7.10	2.39	7.59	2.45	7.92	2.48
	32	6.48	2.23	6.81	2.26	7.14	2.31	7.30	2.32	7.79	2.39	8.12	2.41
	25	6.94	2.04	7.27	2.06	7.60	2.12	7.76	2.12	8.25	2.19	8.58	2.22
	22	7.14	1.95	7.47	1.98	7.80	2.04	7.96	2.04	8.45	2.11	8.78	2.13

Cooling

3 - rooms multisplit : 2 - units operation

Indoor units : 05 type + 05 type 16 type + 05 type
 07 type + 05 type 18 type + 05 type
 10 type + 05 type 22 type + 05 type
 13 type + 05 type 24 type + 05 type

Outdoor unit : RAS-3M26U2AVG-E

TC : Total capacity [kW]

PI : Power input [kW]

Combination (Capacity)	Outdoor air temp. [°C DB]	Indoor air temp. [° C WB]											
		14		16		18		19		22		24	
		TC [kW]	PI [kW]	TC [kW]	PI [kW]	TC [kW]	PI [kW]	TC [kW]	PI [kW]	TC [kW]	PI [kW]	TC [kW]	PI [kW]
05 + 05	46	2.35	0.76	2.49	0.77	2.62	0.78	2.69	0.78	2.90	0.80	3.04	0.81
	43	2.43	0.73	2.57	0.74	2.71	0.75	2.78	0.76	2.98	0.78	3.12	0.79
	40	2.51	0.71	2.65	0.72	2.79	0.73	2.86	0.74	3.07	0.75	3.21	0.76
	35	2.65	0.66	2.79	0.67	2.93	0.68	3.00	0.69	3.21	0.71	3.35	0.72
	32	2.74	0.64	2.88	0.65	3.02	0.67	3.09	0.67	3.29	0.69	3.43	0.70
	25	2.93	0.59	3.07	0.60	3.21	0.61	3.28	0.61	3.49	0.63	3.63	0.64
	22	3.02	0.56	3.16	0.57	3.30	0.59	3.36	0.59	3.57	0.61	3.71	0.62
07 + 05	46	2.74	0.91	2.90	0.92	3.06	0.93	3.14	0.94	3.38	0.96	3.55	0.98
	43	2.84	0.88	3.00	0.89	3.16	0.91	3.24	0.91	3.48	0.93	3.64	0.95
	40	2.93	0.85	3.10	0.86	3.26	0.88	3.34	0.88	3.58	0.90	3.74	0.92
	35	3.10	0.80	3.26	0.81	3.42	0.82	3.50	0.83	3.74	0.85	3.90	0.86
	32	3.19	0.77	3.36	0.78	3.52	0.80	3.60	0.81	3.84	0.83	4.00	0.84
	25	3.42	0.71	3.58	0.72	3.75	0.74	3.83	0.74	4.07	0.76	4.23	0.77
	22	3.52	0.68	3.68	0.69	3.84	0.71	3.93	0.71	4.16	0.73	4.33	0.74
10 + 05	46	3.29	1.13	3.48	1.14	3.67	1.16	3.77	1.17	4.06	1.19	4.26	1.21
	43	3.40	1.09	3.60	1.11	3.79	1.12	3.89	1.13	4.18	1.16	4.37	1.17
	40	3.52	1.06	3.71	1.07	3.91	1.09	4.01	1.10	4.29	1.12	4.49	1.14
	35	3.71	0.99	3.91	1.01	4.10	1.02	4.20	1.03	4.49	1.05	4.68	1.07
	32	3.83	0.96	4.03	0.97	4.22	1.00	4.32	1.00	4.61	1.03	4.80	1.04
	25	4.11	0.88	4.30	0.89	4.50	0.91	4.59	0.91	4.88	0.95	5.08	0.95
	22	4.22	0.84	4.42	0.85	4.61	0.88	4.71	0.88	5.00	0.91	5.19	0.92
13 + 05	46	4.07	1.47	4.31	1.49	4.55	1.51	4.67	1.52	5.03	1.55	5.27	1.57
	43	4.21	1.42	4.45	1.44	4.69	1.46	4.81	1.48	5.17	1.51	5.41	1.53
	40	4.36	1.37	4.60	1.39	4.84	1.42	4.96	1.43	5.32	1.46	5.56	1.48
	35	4.60	1.29	4.84	1.31	5.08	1.33	5.20	1.34	5.56	1.37	5.80	1.39
	32	4.75	1.25	4.99	1.27	5.23	1.30	5.35	1.30	5.70	1.34	5.95	1.35
	25	5.09	1.14	5.33	1.16	5.57	1.19	5.69	1.19	6.04	1.23	6.29	1.24
	22	5.23	1.10	5.47	1.11	5.71	1.14	5.83	1.14	6.19	1.18	6.43	1.19
16 + 05	46	4.69	1.75	4.97	1.78	5.25	1.80	5.39	1.82	5.80	1.85	6.08	1.88
	43	4.86	1.70	5.14	1.72	5.42	1.75	5.56	1.76	5.97	1.80	6.25	1.82
	40	5.03	1.64	5.31	1.66	5.58	1.69	5.72	1.70	6.14	1.74	6.42	1.77
	35	5.31	1.54	5.58	1.56	5.86	1.59	6.00	1.60	6.41	1.64	6.69	1.66
	32	5.48	1.49	5.75	1.51	6.03	1.55	6.17	1.55	6.58	1.60	6.86	1.62
	25	5.87	1.36	6.15	1.38	6.42	1.42	6.56	1.42	6.97	1.47	7.25	1.48
	22	6.04	1.31	6.31	1.32	6.59	1.36	6.73	1.36	7.14	1.41	7.42	1.43
18 + 05	46	5.09	1.95	5.39	1.98	5.69	2.00	5.84	2.02	6.29	2.06	6.59	2.09
	43	5.27	1.89	5.57	1.91	5.87	1.94	6.02	1.96	6.47	2.00	6.77	2.03
	40	5.45	1.83	5.75	1.85	6.05	1.88	6.20	1.90	6.65	1.94	6.95	1.97
	35	5.75	1.71	6.05	1.74	6.35	1.77	6.50	1.78	6.95	1.82	7.25	1.85
	32	5.93	1.66	6.23	1.68	6.53	1.72	6.68	1.73	7.13	1.78	7.43	1.80
	25	6.36	1.52	6.66	1.54	6.96	1.58	7.11	1.58	7.55	1.63	7.86	1.65
	22	6.54	1.46	6.84	1.47	7.14	1.52	7.29	1.52	7.73	1.57	8.04	1.59
22 + 05	46	5.79	2.36	6.13	2.39	6.47	2.42	6.65	2.44	7.16	2.49	7.50	2.53
	43	6.00	2.28	6.34	2.31	6.68	2.35	6.85	2.37	7.36	2.42	7.71	2.45
	40	6.20	2.21	6.54	2.24	6.89	2.27	7.06	2.29	7.57	2.34	7.91	2.37
	35	6.54	2.06	6.89	2.10	7.23	2.13	7.40	2.15	7.91	2.20	8.25	2.23
	32	6.75	2.01	7.10	2.03	7.44	2.08	7.61	2.09	8.12	2.15	8.46	2.17
	25	7.24	1.83	7.58	1.85	7.92	1.91	8.09	1.91	8.60	1.97	8.95	1.99
	22	7.44	1.76	7.79	1.78	8.13	1.83	8.30	1.83	8.80	1.90	9.15	1.92
24 + 05	46	5.79	2.17	6.13	2.20	6.47	2.23	6.65	2.25	7.16	2.29	7.50	2.33
	43	6.00	2.10	6.34	2.13	6.68	2.16	6.85	2.18	7.36	2.22	7.71	2.26
	40	6.20	2.03	6.54	2.06	6.89	2.09	7.06	2.11	7.57	2.16	7.91	2.19
	35	6.54	1.90	6.89	1.93	7.23	1.96	7.40	1.98	7.91	2.03	8.25	2.06
	32	6.75	1.85	7.10	1.87	7.44	1.91	7.61	1.92	8.12	1.98	8.46	2.00
	25	7.24	1.69	7.58	1.71	7.92	1.76	8.09	1.76	8.60	1.82	8.95	1.84
	22	7.44	1.62	7.79	1.64	8.13	1.69	8.30	1.69	8.80	1.75	9.15	1.77

Cooling

3 - rooms multisplit : 2 - units operation

Indoor units : 07 type + 07 type 18 type + 07 type
 10 type + 07 type 22 type + 07 type
 13 type + 07 type 24 type + 07 type
 16 type + 07 type 10 type + 10 type

TC : Total capacity [kW]

PI : Power input [kW]

Outdoor unit : RAS-3M26U2AVG-E

Combination (Capacity)	Outdoor air temp. [° C DB]	Indoor air temp. [° C WB]											
		14		16		18		19		22		24	
		TC [kW]	PI [kW]	TC [kW]	PI [kW]	TC [kW]	PI [kW]	TC [kW]	PI [kW]	TC [kW]	PI [kW]	TC [kW]	PI [kW]
07 + 07	46	3.13	1.04	3.31	1.06	3.50	1.07	3.59	1.08	3.87	1.10	4.05	1.12
	43	3.24	1.01	3.43	1.02	3.61	1.04	3.70	1.05	3.98	1.07	4.17	1.08
	40	3.35	0.97	3.54	0.99	3.72	1.00	3.82	1.01	4.09	1.03	4.28	1.05
	35	3.54	0.91	3.72	0.93	3.91	0.94	4.00	0.95	4.28	0.97	4.46	0.99
	32	3.65	0.89	3.84	0.90	4.02	0.92	4.11	0.92	4.39	0.95	4.57	0.96
	25	3.91	0.81	4.10	0.82	4.28	0.84	4.37	0.84	4.65	0.87	4.84	0.88
	22	4.02	0.78	4.21	0.79	4.39	0.81	4.49	0.81	4.76	0.84	4.95	0.85
10 + 07	46	3.68	1.31	3.89	1.33	4.11	1.35	4.22	1.36	4.54	1.39	4.76	1.41
	43	3.81	1.27	4.03	1.29	4.24	1.31	4.35	1.32	4.68	1.35	4.89	1.37
	40	3.94	1.23	4.16	1.25	4.37	1.27	4.48	1.28	4.81	1.31	5.03	1.32
	35	4.16	1.15	4.37	1.17	4.59	1.19	4.70	1.20	5.02	1.23	5.24	1.25
	32	4.29	1.12	4.51	1.13	4.72	1.16	4.83	1.16	5.15	1.20	5.38	1.21
	25	4.60	1.02	4.81	1.03	5.03	1.06	5.14	1.07	5.46	1.10	5.68	1.11
	22	4.73	0.98	4.94	0.99	5.16	1.02	5.27	1.02	5.59	1.06	5.81	1.07
13 + 07	46	4.46	1.75	4.72	1.78	4.99	1.80	5.12	1.82	5.51	1.85	5.78	1.88
	43	4.62	1.70	4.88	1.72	5.15	1.75	5.28	1.76	5.67	1.80	5.94	1.82
	40	4.78	1.64	5.04	1.66	5.30	1.69	5.44	1.70	5.83	1.74	6.09	1.77
	35	5.04	1.54	5.30	1.56	5.57	1.59	5.70	1.60	6.09	1.64	6.36	1.66
	32	5.20	1.49	5.47	1.51	5.73	1.55	5.86	1.55	6.25	1.60	6.52	1.62
	25	5.57	1.36	5.84	1.38	6.10	1.42	6.23	1.42	6.62	1.47	6.89	1.48
	22	5.73	1.31	6.00	1.32	6.26	1.36	6.39	1.36	6.78	1.41	7.05	1.43
16 + 07	46	4.62	1.86	4.89	1.89	5.16	1.91	5.30	1.93	5.70	1.97	5.98	2.00
	43	4.78	1.80	5.05	1.83	5.33	1.86	5.46	1.87	5.87	1.91	6.14	1.94
	40	4.95	1.74	5.22	1.77	5.49	1.80	5.63	1.81	6.03	1.85	6.31	1.88
	35	5.22	1.63	5.49	1.66	5.76	1.69	5.90	1.70	6.31	1.74	6.58	1.77
	32	5.39	1.59	5.66	1.61	5.93	1.64	6.07	1.65	6.47	1.70	6.75	1.72
	25	5.77	1.45	6.04	1.47	6.32	1.51	6.45	1.51	6.85	1.56	7.13	1.58
	22	5.93	1.39	6.21	1.41	6.48	1.45	6.62	1.45	7.02	1.50	7.30	1.52
18 + 07	46	4.93	2.19	5.22	2.22	5.51	2.25	5.66	2.27	6.09	2.32	6.38	2.35
	43	5.11	2.12	5.40	2.15	5.69	2.18	5.83	2.20	6.27	2.25	6.56	2.28
	40	5.28	2.05	5.57	2.08	5.86	2.12	6.01	2.13	6.44	2.18	6.74	2.21
	35	5.57	1.92	5.86	1.95	6.15	1.98	6.30	2.00	6.74	2.05	7.03	2.08
	32	5.75	1.87	6.04	1.89	6.33	1.93	6.48	1.94	6.91	2.00	7.21	2.02
	25	6.16	1.70	6.45	1.72	6.74	1.77	6.89	1.78	7.32	1.84	7.62	1.85
	22	6.34	1.63	6.63	1.65	6.92	1.71	7.07	1.70	7.49	1.77	7.79	1.78
22 + 07	46	4.93	2.19	5.22	2.22	5.51	2.25	5.66	2.27	6.09	2.32	6.38	2.35
	43	5.11	2.12	5.40	2.15	5.69	2.18	5.83	2.20	6.27	2.25	6.56	2.28
	40	5.28	2.05	5.57	2.08	5.86	2.12	6.01	2.13	6.44	2.18	6.74	2.21
	35	5.57	1.92	5.86	1.95	6.15	1.98	6.30	2.00	6.74	2.05	7.03	2.08
	32	5.75	1.87	6.04	1.89	6.33	1.93	6.48	1.94	6.91	2.00	7.21	2.02
	25	6.16	1.70	6.45	1.72	6.74	1.77	6.89	1.78	7.32	1.84	7.62	1.85
	22	6.34	1.63	6.63	1.65	6.92	1.71	7.07	1.70	7.49	1.77	7.79	1.78
24 + 07	46	5.32	2.41	5.63	2.44	5.95	2.48	6.11	2.50	6.58	2.55	6.89	2.59
	43	5.51	2.33	5.82	2.37	6.14	2.40	6.30	2.42	6.76	2.47	7.08	2.51
	40	5.70	2.26	6.01	2.29	6.33	2.33	6.49	2.34	6.95	2.40	7.27	2.43
	35	6.01	2.11	6.33	2.15	6.64	2.18	6.80	2.20	7.27	2.25	7.58	2.29
	32	6.21	2.05	6.52	2.08	6.84	2.13	6.99	2.14	7.46	2.20	7.78	2.22
	25	6.65	1.87	6.96	1.90	7.28	1.95	7.44	1.95	7.90	2.02	8.22	2.04
	22	6.84	1.80	7.15	1.82	7.47	1.88	7.63	1.88	8.09	1.94	8.41	1.96
10 + 10	46	4.23	1.64	4.47	1.67	4.72	1.69	4.85	1.70	5.22	1.74	5.47	1.76
	43	4.38	1.59	4.63	1.61	4.87	1.64	5.00	1.65	5.37	1.69	5.62	1.71
	40	4.53	1.54	4.78	1.56	5.03	1.59	5.15	1.60	5.52	1.63	5.77	1.66
	35	4.78	1.44	5.03	1.46	5.27	1.49	5.40	1.50	5.77	1.53	6.02	1.56
	32	4.93	1.40	5.18	1.42	5.43	1.45	5.55	1.46	5.92	1.50	6.18	1.51
	25	5.28	1.28	5.53	1.29	5.78	1.33	5.91	1.33	6.27	1.38	6.53	1.39
	22	5.43	1.23	5.68	1.24	5.93	1.28	6.06	1.28	6.42	1.33	6.68	1.34

Cooling

3 - room multisplit : 2 - unit operation

Indoor units : 13 type + 10 type 24 type + 10 type
 16 type + 10 type 13 type + 13 type
 18 type + 10 type 16 type + 13 type
 22 type + 10 type 18 type + 13 type

Outdoor units : RAS-3M26U2AVG-E

TC : Total capacity [kW]

PI : Power input [kW]

Combination (Capacity)	Outdoor air temp. [°C DB]	Indoor air temp. [° C WB]											
		14		16		18		19		22		24	
		TC [kW]	PI [kW]	TC [kW]	PI [kW]	TC [kW]	PI [kW]	TC [kW]	PI [kW]	TC [kW]	PI [kW]	TC [kW]	PI [kW]
13 + 10	46	4.62	1.86	4.89	1.89	5.16	1.91	5.30	1.93	5.70	1.97	5.98	2.00
	43	4.78	1.80	5.05	1.83	5.33	1.86	5.46	1.87	5.87	1.91	6.14	1.94
	40	4.95	1.74	5.22	1.77	5.49	1.80	5.63	1.81	6.03	1.85	6.31	1.88
	35	5.22	1.63	5.49	1.66	5.76	1.69	5.90	1.70	6.31	1.74	6.58	1.77
	32	5.39	1.59	5.66	1.61	5.93	1.64	6.07	1.65	6.47	1.70	6.75	1.72
	25	5.77	1.45	6.04	1.47	6.32	1.51	6.45	1.51	6.85	1.56	7.13	1.58
	22	5.93	1.39	6.21	1.41	6.48	1.45	6.62	1.45	7.02	1.50	7.30	1.52
16 + 10	46	4.93	2.19	5.22	2.22	5.51	2.25	5.66	2.27	6.09	2.32	6.38	2.35
	43	5.11	2.12	5.40	2.15	5.69	2.18	5.83	2.20	6.27	2.25	6.56	2.28
	40	5.28	2.05	5.57	2.08	5.86	2.12	6.01	2.13	6.44	2.18	6.74	2.21
	35	5.57	1.92	5.86	1.95	6.15	1.98	6.30	2.00	6.74	2.05	7.03	2.08
	32	5.75	1.87	6.04	1.89	6.33	1.93	6.48	1.94	6.91	2.00	7.21	2.02
	25	6.16	1.70	6.45	1.72	6.74	1.77	6.89	1.78	7.32	1.84	7.62	1.85
	22	6.34	1.63	6.63	1.65	6.92	1.71	7.07	1.70	7.49	1.77	7.79	1.78
18 + 10	46	4.93	2.19	5.22	2.22	5.51	2.25	5.66	2.27	6.09	2.32	6.38	2.35
	43	5.11	2.12	5.40	2.15	5.69	2.18	5.83	2.20	6.27	2.25	6.56	2.28
	40	5.28	2.05	5.57	2.08	5.86	2.12	6.01	2.13	6.44	2.18	6.74	2.21
	35	5.57	1.92	5.86	1.95	6.15	1.98	6.30	2.00	6.74	2.05	7.03	2.08
	32	5.75	1.87	6.04	1.89	6.33	1.93	6.48	1.94	6.91	2.00	7.21	2.02
	25	6.16	1.70	6.45	1.72	6.74	1.77	6.89	1.78	7.32	1.84	7.62	1.85
	22	6.34	1.63	6.63	1.65	6.92	1.71	7.07	1.70	7.49	1.77	7.79	1.78
22 + 10	46	5.32	2.41	5.63	2.44	5.95	2.48	6.11	2.50	6.58	2.55	6.89	2.59
	43	5.51	2.33	5.82	2.37	6.14	2.40	6.30	2.42	6.76	2.47	7.08	2.51
	40	5.70	2.26	6.01	2.29	6.33	2.33	6.49	2.34	6.95	2.40	7.27	2.43
	35	6.01	2.11	6.33	2.15	6.64	2.18	6.80	2.20	7.27	2.25	7.58	2.29
	32	6.21	2.05	6.52	2.08	6.84	2.13	6.99	2.14	7.46	2.20	7.78	2.22
	25	6.65	1.87	6.96	1.90	7.28	1.95	7.44	1.95	7.90	2.02	8.22	2.04
	22	6.84	1.80	7.15	1.82	7.47	1.88	7.63	1.88	8.09	1.94	8.41	1.96
24 + 10	46	5.63	2.52	5.97	2.56	6.30	2.59	6.47	2.61	6.96	2.66	7.30	2.70
	43	5.83	2.44	6.17	2.47	6.50	2.51	6.67	2.53	7.16	2.58	7.50	2.62
	40	6.04	2.36	6.37	2.39	6.70	2.43	6.87	2.45	7.36	2.51	7.70	2.54
	35	6.37	2.21	6.70	2.25	7.03	2.28	7.20	2.30	7.70	2.35	8.03	2.39
	32	6.57	2.15	6.90	2.17	7.24	2.22	7.40	2.23	7.90	2.30	8.23	2.32
	25	7.04	1.96	7.37	1.98	7.71	2.04	7.87	2.04	8.36	2.11	8.70	2.13
	22	7.24	1.88	7.58	1.90	7.91	1.96	8.07	1.96	8.56	2.03	8.91	2.05
13 + 13	46	4.93	2.19	5.22	2.22	5.51	2.25	5.66	2.27	6.09	2.32	6.38	2.35
	43	5.11	2.12	5.40	2.15	5.69	2.18	5.83	2.20	6.27	2.25	6.56	2.28
	40	5.28	2.05	5.57	2.08	5.86	2.12	6.01	2.13	6.44	2.18	6.74	2.21
	35	5.57	1.92	5.86	1.95	6.15	1.98	6.30	2.00	6.74	2.05	7.03	2.08
	32	5.75	1.87	6.04	1.89	6.33	1.93	6.48	1.94	6.91	2.00	7.21	2.02
	25	6.16	1.70	6.45	1.72	6.74	1.77	6.89	1.78	7.32	1.84	7.62	1.85
	22	6.34	1.63	6.63	1.65	6.92	1.71	7.07	1.70	7.49	1.77	7.79	1.78
16 + 13	46	5.32	2.41	5.63	2.44	5.95	2.48	6.11	2.50	6.58	2.55	6.89	2.59
	43	5.51	2.33	5.82	2.37	6.14	2.40	6.30	2.42	6.76	2.47	7.08	2.51
	40	5.70	2.26	6.01	2.29	6.33	2.33	6.49	2.34	6.95	2.40	7.27	2.43
	35	6.01	2.11	6.33	2.15	6.64	2.18	6.80	2.20	7.27	2.25	7.58	2.29
	32	6.21	2.05	6.52	2.08	6.84	2.13	6.99	2.14	7.46	2.20	7.78	2.22
	25	6.65	1.87	6.96	1.90	7.28	1.95	7.44	1.95	7.90	2.02	8.22	2.04
	22	6.84	1.80	7.15	1.82	7.47	1.88	7.63	1.88	8.09	1.94	8.41	1.96
18 + 13	46	5.32	2.41	5.63	2.44	5.95	2.48	6.11	2.50	6.58	2.55	6.89	2.59
	43	5.51	2.33	5.82	2.37	6.14	2.40	6.30	2.42	6.76	2.47	7.08	2.51
	40	5.70	2.26	6.01	2.29	6.33	2.33	6.49	2.34	6.95	2.40	7.27	2.43
	35	6.01	2.11	6.33	2.15	6.64	2.18	6.80	2.20	7.27	2.25	7.58	2.29
	32	6.21	2.05	6.52	2.08	6.84	2.13	6.99	2.14	7.46	2.20	7.78	2.22
	25	6.65	1.87	6.96	1.90	7.28	1.95	7.44	1.95	7.90	2.02	8.22	2.04
	22	6.84	1.80	7.15	1.82	7.47	1.88	7.63	1.88	8.09	1.94	8.41	1.96

Cooling

3 - rooms multisplit : 2 - units operation

Indoor units : 22 type + 13 type 18 type + 18 type
 24 type + 13 type 22 type + 18 type
 16 type + 16 type 24 type + 18 type
 18 type + 16 type
 22 type + 16 type
 24 type + 16 type

Outdoor unit : RAS-3M26U2AVG-E

TC : Total capacity [kW]
 PI : Power input [kW]

Combination (Capacity)	Outdoor air temp. [°C DB]	Indoor air temp. [°C WB]											
		14		16		18		19		22		24	
		TC [kW]	PI [kW]	TC [kW]	PI [kW]	TC [kW]	PI [kW]	TC [kW]	PI [kW]	TC [kW]	PI [kW]	TC [kW]	PI [kW]
22 + 13	46	5.63	2.52	5.97	2.56	6.30	2.59	6.47	2.61	6.96	2.66	7.30	2.70
	43	5.83	2.44	6.17	2.47	6.50	2.51	6.67	2.53	7.16	2.58	7.50	2.62
	40	6.04	2.36	6.37	2.39	6.70	2.43	6.87	2.45	7.36	2.51	7.70	2.54
	35	6.37	2.21	6.70	2.25	7.03	2.28	7.20	2.30	7.70	2.35	8.03	2.39
	32	6.57	2.15	6.90	2.17	7.24	2.22	7.40	2.23	7.90	2.30	8.23	2.32
	25	7.04	1.96	7.37	1.98	7.71	2.04	7.87	2.04	8.36	2.11	8.70	2.13
	22	7.24	1.88	7.58	1.90	7.91	1.96	8.07	1.96	8.56	2.03	8.91	2.05
24 + 13	46	5.63	2.52	5.97	2.56	6.30	2.59	6.47	2.61	6.96	2.66	7.30	2.70
	43	5.83	2.44	6.17	2.47	6.50	2.51	6.67	2.53	7.16	2.58	7.50	2.62
	40	6.04	2.36	6.37	2.39	6.70	2.43	6.87	2.45	7.36	2.51	7.70	2.54
	35	6.37	2.21	6.70	2.25	7.03	2.28	7.20	2.30	7.70	2.35	8.03	2.39
	32	6.57	2.15	6.90	2.17	7.24	2.22	7.40	2.23	7.90	2.30	8.23	2.32
	25	7.04	1.96	7.37	1.98	7.71	2.04	7.87	2.04	8.36	2.11	8.70	2.13
	22	7.24	1.88	7.58	1.90	7.91	1.96	8.07	1.96	8.56	2.03	8.91	2.05
16 + 16	46	5.63	2.52	5.97	2.56	6.30	2.59	6.47	2.61	6.96	2.66	7.30	2.70
	43	5.83	2.44	6.17	2.47	6.50	2.51	6.67	2.53	7.16	2.58	7.50	2.62
	40	6.04	2.36	6.37	2.39	6.70	2.43	6.87	2.45	7.36	2.51	7.70	2.54
	35	6.37	2.21	6.70	2.25	7.03	2.28	7.20	2.30	7.70	2.35	8.03	2.39
	32	6.57	2.15	6.90	2.17	7.24	2.22	7.40	2.23	7.90	2.30	8.23	2.32
	25	7.04	1.96	7.37	1.98	7.71	2.04	7.87	2.04	8.36	2.11	8.70	2.13
	22	7.24	1.88	7.58	1.90	7.91	1.96	8.07	1.96	8.56	2.03	8.91	2.05
18 + 16	46	5.63	2.52	5.97	2.56	6.30	2.59	6.47	2.61	6.96	2.66	7.30	2.70
	43	5.83	2.44	6.17	2.47	6.50	2.51	6.67	2.53	7.16	2.58	7.50	2.62
	40	6.04	2.36	6.37	2.39	6.70	2.43	6.87	2.45	7.36	2.51	7.70	2.54
	35	6.37	2.21	6.70	2.25	7.03	2.28	7.20	2.30	7.70	2.35	8.03	2.39
	32	6.57	2.15	6.90	2.17	7.24	2.22	7.40	2.23	7.90	2.30	8.23	2.32
	25	7.04	1.96	7.37	1.98	7.71	2.04	7.87	2.04	8.36	2.11	8.70	2.13
	22	7.24	1.88	7.58	1.90	7.91	1.96	8.07	1.96	8.56	2.03	8.91	2.05
22 + 16	46	5.71	2.63	6.05	2.67	6.39	2.70	6.56	2.73	7.06	2.78	7.40	2.82
	43	5.92	2.55	6.25	2.58	6.59	2.62	6.76	2.64	7.26	2.70	7.60	2.74
	40	6.12	2.46	6.46	2.50	6.79	2.54	6.96	2.56	7.46	2.61	7.81	2.65
	35	6.46	2.31	6.79	2.34	7.13	2.38	7.30	2.40	7.80	2.46	8.14	2.49
	32	6.66	2.24	7.00	2.27	7.34	2.32	7.51	2.33	8.01	2.40	8.35	2.42
	25	7.14	2.05	7.48	2.07	7.81	2.13	7.98	2.13	8.48	2.20	8.83	2.22
	22	7.34	1.96	7.68	1.98	8.02	2.05	8.19	2.05	8.68	2.12	9.03	2.14
24 + 16	46	5.71	2.63	6.05	2.67	6.39	2.70	6.56	2.73	7.06	2.78	7.40	2.82
	43	5.92	2.55	6.25	2.58	6.59	2.62	6.76	2.64	7.26	2.70	7.60	2.74
	40	6.12	2.46	6.46	2.50	6.79	2.54	6.96	2.56	7.46	2.61	7.81	2.65
	35	6.46	2.31	6.79	2.34	7.13	2.38	7.30	2.40	7.80	2.46	8.14	2.49
	32	6.66	2.24	7.00	2.27	7.34	2.32	7.51	2.33	8.01	2.40	8.35	2.42
	25	7.14	2.05	7.48	2.07	7.81	2.13	7.98	2.13	8.48	2.20	8.83	2.22
	22	7.34	1.96	7.68	1.98	8.02	2.05	8.19	2.05	8.68	2.12	9.03	2.14
18 + 18	46	5.63	2.52	5.97	2.56	6.30	2.59	6.47	2.61	6.96	2.66	7.30	2.70
	43	5.83	2.44	6.17	2.47	6.50	2.51	6.67	2.53	7.16	2.58	7.50	2.62
	40	6.04	2.36	6.37	2.39	6.70	2.43	6.87	2.45	7.36	2.51	7.70	2.54
	35	6.37	2.21	6.70	2.25	7.03	2.28	7.20	2.30	7.70	2.35	8.03	2.39
	32	6.57	2.15	6.90	2.17	7.24	2.22	7.40	2.23	7.90	2.30	8.23	2.32
	25	7.04	1.96	7.37	1.98	7.71	2.04	7.87	2.04	8.36	2.11	8.70	2.13
	22	7.24	1.88	7.58	1.90	7.91	1.96	8.07	1.96	8.56	2.03	8.91	2.05
22 + 18	46	5.79	2.63	6.13	2.67	6.47	2.70	6.65	2.73	7.16	2.78	7.50	2.82
	43	6.00	2.55	6.34	2.58	6.68	2.62	6.85	2.64	7.36	2.70	7.71	2.74
	40	6.20	2.46	6.54	2.50	6.89	2.54	7.06	2.56	7.57	2.61	7.91	2.65
	35	6.54	2.31	6.89	2.34	7.23	2.38	7.40	2.40	7.91	2.46	8.25	2.49
	32	6.75	2.24	7.10	2.27	7.44	2.32	7.61	2.33	8.12	2.40	8.46	2.42
	25	7.24	2.05	7.58	2.07	7.92	2.13	8.09	2.13	8.60	2.20	8.95	2.22
	22	7.44	1.96	7.79	1.98	8.13	2.05	8.30	2.05	8.80	2.12	9.15	2.14
24 + 18	46	5.79	2.63	6.13	2.67	6.47	2.70	6.65	2.73	7.16	2.78	7.50	2.82
	43	6.00	2.55	6.34	2.58	6.68	2.62	6.85	2.64	7.36	2.70	7.71	2.74
	40	6.20	2.46	6.54	2.50	6.89	2.54	7.06	2.56	7.57	2.61	7.91	2.65
	35	6.54	2.31	6.89	2.34	7.23	2.38	7.40	2.40	7.91	2.46	8.25	2.49
	32	6.75	2.24	7.10	2.27	7.44	2.32	7.61	2.33	8.12	2.40	8.46	2.42
	25	7.24	2.05	7.58	2.07	7.92	2.13	8.09	2.13	8.60	2.20	8.95	2.22
	22	7.44	1.96	7.79	1.98	8.13	2.05	8.30	2.05	8.80	2.12	9.15	2.14

Cooling

3 - rooms multisplit : 3 - units operation

Indoor units : 05 type + 05 type + 05 type 16 type + 05 type + 05 type
 07 type + 05 type + 05 type 18 type + 05 type + 05 type
 10 type + 05 type + 05 type 22 type + 05 type + 05 type
 13 type + 05 type + 05 type 24 type + 05 type + 05 type

Outdoor unit : RAS-3M26U2AVG-E

TC : Total capacity [kW]
 PI : Power input [kW]

Combination (Capacity)	Outdoor air temp. [° C DB]	Indoor air temp. [° C WB]											
		14		16		18		19		22		24	
		TC [kW]	PI [kW]	TC [kW]	PI [kW]	TC [kW]	PI [kW]	TC [kW]	PI [kW]	TC [kW]	PI [kW]	TC [kW]	PI [kW]
05 + 05 + 05	46	3.52	1.26	3.73	1.28	3.94	1.30	4.04	1.31	4.35	1.33	4.56	1.35
	43	3.65	1.22	3.85	1.24	4.06	1.26	4.17	1.27	4.48	1.29	4.69	1.31
	40	3.77	1.18	3.98	1.20	4.19	1.22	4.29	1.23	4.60	1.25	4.81	1.27
	35	3.98	1.10	4.19	1.12	4.40	1.14	4.50	1.15	4.81	1.18	5.02	1.19
	32	4.11	1.07	4.32	1.09	4.52	1.11	4.63	1.12	4.94	1.15	5.15	1.16
	25	4.40	0.98	4.61	0.99	4.82	1.02	4.92	1.02	5.23	1.06	5.44	1.07
	22	4.53	0.94	4.73	0.95	4.94	0.98	5.05	0.98	5.35	1.02	5.57	1.03
07 + 05 + 05	46	3.91	1.42	4.14	1.44	4.37	1.46	4.49	1.48	4.83	1.50	5.07	1.53
	43	4.05	1.38	4.28	1.40	4.51	1.42	4.63	1.43	4.97	1.46	5.21	1.48
	40	4.19	1.33	4.42	1.35	4.65	1.38	4.77	1.39	5.11	1.42	5.35	1.44
	35	4.42	1.25	4.65	1.27	4.88	1.29	5.00	1.30	5.35	1.33	5.58	1.35
	32	4.56	1.21	4.79	1.23	5.03	1.26	5.14	1.26	5.48	1.30	5.72	1.31
	25	4.89	1.11	5.12	1.12	5.35	1.15	5.47	1.15	5.81	1.19	6.04	1.20
	22	5.03	1.06	5.26	1.07	5.49	1.11	5.61	1.11	5.95	1.15	6.18	1.16
10 + 05 + 05	46	4.46	1.37	4.72	1.39	4.99	1.41	5.12	1.42	5.51	1.45	5.78	1.47
	43	4.62	1.33	4.88	1.34	5.15	1.37	5.28	1.38	5.67	1.40	5.94	1.42
	40	4.78	1.28	5.04	1.30	5.30	1.32	5.44	1.33	5.83	1.36	6.09	1.38
	35	5.04	1.20	5.30	1.22	5.57	1.24	5.70	1.25	6.09	1.28	6.36	1.30
	32	5.20	1.17	5.47	1.18	5.73	1.21	5.86	1.21	6.25	1.25	6.52	1.26
	25	5.57	1.07	5.84	1.08	6.10	1.11	6.23	1.11	6.62	1.15	6.89	1.16
	22	5.73	1.02	6.00	1.03	6.26	1.07	6.39	1.07	6.78	1.10	7.05	1.11
13 + 05 + 05	46	5.24	1.64	5.55	1.67	5.86	1.69	6.02	1.70	6.48	1.74	6.79	1.76
	43	5.43	1.59	5.74	1.61	6.05	1.64	6.20	1.65	6.66	1.69	6.98	1.71
	40	5.62	1.54	5.93	1.56	6.24	1.59	6.39	1.60	6.85	1.63	7.16	1.66
	35	5.93	1.44	6.23	1.46	6.54	1.49	6.70	1.50	7.16	1.53	7.47	1.56
	32	6.12	1.40	6.43	1.42	6.73	1.45	6.89	1.46	7.35	1.50	7.66	1.51
	25	6.55	1.28	6.86	1.29	7.17	1.33	7.33	1.33	7.78	1.38	8.10	1.39
	22	6.74	1.23	7.05	1.24	7.36	1.28	7.51	1.28	7.97	1.33	8.29	1.34
16 + 05 + 05	46	5.79	1.92	6.13	1.94	6.47	1.97	6.65	1.99	7.16	2.03	7.50	2.06
	43	6.00	1.86	6.34	1.88	6.68	1.91	6.85	1.93	7.36	1.97	7.71	1.99
	40	6.20	1.80	6.54	1.82	6.89	1.85	7.06	1.86	7.57	1.91	7.91	1.93
	35	6.54	1.68	6.89	1.71	7.23	1.74	7.40	1.75	7.91	1.79	8.25	1.82
	32	6.75	1.63	7.10	1.65	7.44	1.69	7.61	1.70	8.12	1.75	8.46	1.77
	25	7.24	1.49	7.58	1.51	7.92	1.55	8.09	1.55	8.60	1.61	8.95	1.62
	22	7.44	1.43	7.79	1.45	8.13	1.49	8.30	1.49	8.80	1.55	9.15	1.56
18 + 05 + 05	46	5.79	1.95	6.13	1.98	6.47	2.00	6.65	2.02	7.16	2.06	7.50	2.09
	43	6.00	1.89	6.34	1.91	6.68	1.94	6.85	1.96	7.36	2.00	7.71	2.03
	40	6.20	1.83	6.54	1.85	6.89	1.88	7.06	1.90	7.57	1.94	7.91	1.97
	35	6.54	1.71	6.89	1.74	7.23	1.77	7.40	1.78	7.91	1.82	8.25	1.85
	32	6.75	1.66	7.10	1.68	7.44	1.72	7.61	1.73	8.12	1.78	8.46	1.80
	25	7.24	1.52	7.58	1.54	7.92	1.58	8.09	1.58	8.60	1.63	8.95	1.65
	22	7.44	1.46	7.79	1.47	8.13	1.52	8.30	1.52	8.80	1.57	9.15	1.59
22 + 05 + 05	46	5.79	2.36	6.13	2.39	6.47	2.42	6.65	2.44	7.16	2.49	7.50	2.53
	43	6.00	2.28	6.34	2.31	6.68	2.35	6.85	2.37	7.36	2.42	7.71	2.45
	40	6.20	2.21	6.54	2.24	6.89	2.27	7.06	2.29	7.57	2.34	7.91	2.37
	35	6.54	2.06	6.89	2.10	7.23	2.13	7.40	2.15	7.91	2.20	8.25	2.23
	32	6.75	2.01	7.10	2.03	7.44	2.08	7.61	2.09	8.12	2.15	8.46	2.17
	25	7.24	1.83	7.58	1.85	7.92	1.91	8.09	1.91	8.60	1.97	8.95	1.99
	22	7.44	1.76	7.79	1.78	8.13	1.83	8.30	1.83	8.80	1.90	9.15	1.92
24 + 05 + 05	46	5.79	2.17	6.13	2.20	6.47	2.23	6.65	2.25	7.16	2.29	7.50	2.33
	43	6.00	2.10	6.34	2.13	6.68	2.16	6.85	2.18	7.36	2.22	7.71	2.26
	40	6.20	2.03	6.54	2.06	6.89	2.09	7.06	2.11	7.57	2.16	7.91	2.19
	35	6.54	1.90	6.89	1.93	7.23	1.96	7.40	1.98	7.91	2.03	8.25	2.06
	32	6.75	1.85	7.10	1.87	7.44	1.91	7.61	1.92	8.12	1.98	8.46	2.00
	25	7.24	1.69	7.58	1.71	7.92	1.76	8.09	1.76	8.60	1.82	8.95	1.84
	22	7.44	1.62	7.79	1.64	8.13	1.69	8.30	1.69	8.80	1.75	9.15	1.77

Cooling

3 - rooms multisplit : 3 - units operation

Indoor units : 07 type + 07 type + 05 type 18 type + 07 type + 05 type
 10 type + 07 type + 05 type 22 type + 07 type + 05 type
 13 type + 07 type + 05 type 24 type + 07 type + 05 type
 16 type + 07 type + 05 type 10 type + 10 type + 05 type

Outdoor unit : RAS-3M26U2AVG-E

TC : Total capacity [kW]
 PI : Power input [kW]

Combination (Capacity)	Outdoor air temp. [°C DB]	Indoor air temp. [° C WB]											
		14		16		18		19		22		24	
		TC [kW]	PI [kW]	TC [kW]	PI [kW]	TC [kW]	PI [kW]	TC [kW]	PI [kW]	TC [kW]	PI [kW]	TC [kW]	PI [kW]
07 + 07 + 05	46	4.30	1.37	4.56	1.39	4.81	1.41	4.94	1.42	5.32	1.45	5.57	1.47
	43	4.46	1.33	4.71	1.34	4.96	1.37	5.09	1.38	5.47	1.40	5.73	1.42
	40	4.61	1.28	4.86	1.30	5.12	1.32	5.25	1.33	5.62	1.36	5.88	1.38
	35	4.86	1.20	5.12	1.22	5.37	1.24	5.50	1.25	5.88	1.28	6.13	1.30
	32	5.02	1.17	5.27	1.18	5.53	1.21	5.66	1.21	6.03	1.25	6.29	1.26
	25	5.38	1.07	5.63	1.08	5.89	1.11	6.01	1.11	6.39	1.15	6.65	1.16
22	5.53	1.02	5.79	1.03	6.04	1.07	6.17	1.07	6.54	1.10	6.80	1.11	
10 + 07 + 05	46	4.85	1.48	5.14	1.50	5.42	1.52	5.57	1.53	5.99	1.56	6.28	1.59
	43	5.02	1.43	5.31	1.45	5.60	1.47	5.74	1.49	6.17	1.52	6.46	1.54
	40	5.20	1.39	5.48	1.40	5.77	1.43	5.91	1.44	6.34	1.47	6.63	1.49
	35	5.48	1.30	5.77	1.32	6.06	1.34	6.20	1.35	6.63	1.38	6.92	1.40
	32	5.66	1.26	5.95	1.28	6.23	1.31	6.38	1.31	6.80	1.35	7.09	1.36
	25	6.06	1.15	6.35	1.16	6.64	1.20	6.78	1.20	7.20	1.24	7.50	1.25
22	6.24	1.10	6.52	1.12	6.81	1.15	6.95	1.15	7.38	1.19	7.67	1.20	
13 + 07 + 05	46	5.63	1.81	5.97	1.83	6.30	1.86	6.47	1.88	6.96	1.91	7.30	1.94
	43	5.83	1.75	6.17	1.78	6.50	1.80	6.67	1.82	7.16	1.85	7.50	1.88
	40	6.04	1.69	6.37	1.72	6.70	1.75	6.87	1.76	7.36	1.80	7.70	1.82
	35	6.37	1.58	6.70	1.61	7.03	1.64	7.20	1.65	7.70	1.69	8.03	1.71
	32	6.57	1.54	6.90	1.56	7.24	1.60	7.40	1.60	7.90	1.65	8.23	1.67
	25	7.04	1.41	7.37	1.42	7.71	1.46	7.87	1.47	8.36	1.52	8.70	1.53
22	7.24	1.35	7.58	1.36	7.91	1.41	8.07	1.41	8.56	1.46	8.91	1.47	
16 + 07 + 05	46	5.79	1.95	6.13	1.98	6.47	2.00	6.65	2.02	7.16	2.06	7.50	2.09
	43	6.00	1.89	6.34	1.91	6.68	1.94	6.85	1.96	7.36	2.00	7.71	2.03
	40	6.20	1.83	6.54	1.85	6.89	1.88	7.06	1.90	7.57	1.94	7.91	1.97
	35	6.54	1.71	6.89	1.74	7.23	1.77	7.40	1.78	7.91	1.82	8.25	1.85
	32	6.75	1.66	7.10	1.68	7.44	1.72	7.61	1.73	8.12	1.78	8.46	1.80
	25	7.24	1.52	7.58	1.54	7.92	1.58	8.09	1.58	8.60	1.63	8.95	1.65
22	7.44	1.46	7.79	1.47	8.13	1.52	8.30	1.52	8.80	1.57	9.15	1.59	
18 + 07 + 05	46	5.79	2.15	6.13	2.18	6.47	2.21	6.65	2.23	7.16	2.27	7.50	2.30
	43	6.00	2.08	6.34	2.11	6.68	2.14	6.85	2.16	7.36	2.20	7.71	2.23
	40	6.20	2.01	6.54	2.04	6.89	2.07	7.06	2.09	7.57	2.13	7.91	2.16
	35	6.54	1.88	6.89	1.91	7.23	1.94	7.40	1.96	7.91	2.01	8.25	2.04
	32	6.75	1.83	7.10	1.85	7.44	1.89	7.61	1.90	8.12	1.96	8.46	1.98
	25	7.24	1.67	7.58	1.69	7.92	1.74	8.09	1.74	8.60	1.80	8.95	1.82
22	7.44	1.60	7.79	1.62	8.13	1.67	8.30	1.67	8.80	1.73	9.15	1.75	
22 + 07 + 05	46	5.79	2.16	6.13	2.19	6.47	2.22	6.65	2.24	7.16	2.28	7.50	2.31
	43	6.00	2.09	6.34	2.12	6.68	2.15	6.85	2.17	7.36	2.21	7.71	2.24
	40	6.20	2.02	6.54	2.05	6.89	2.08	7.06	2.10	7.57	2.15	7.91	2.18
	35	6.54	1.89	6.89	1.92	7.23	1.95	7.40	1.97	7.91	2.02	8.25	2.05
	32	6.75	1.84	7.10	1.86	7.44	1.90	7.61	1.91	8.12	1.97	8.46	1.99
	25	7.24	1.68	7.58	1.70	7.92	1.75	8.09	1.75	8.60	1.81	8.95	1.83
22	7.44	1.61	7.79	1.63	8.13	1.68	8.30	1.68	8.80	1.74	9.15	1.76	
24 + 07 + 05	46	5.79	2.17	6.13	2.20	6.47	2.23	6.65	2.25	7.16	2.29	7.50	2.33
	43	6.00	2.10	6.34	2.13	6.68	2.16	6.85	2.18	7.36	2.22	7.71	2.26
	40	6.20	2.03	6.54	2.06	6.89	2.09	7.06	2.11	7.57	2.16	7.91	2.19
	35	6.54	1.90	6.89	1.93	7.23	1.96	7.40	1.98	7.91	2.03	8.25	2.06
	32	6.75	1.85	7.10	1.87	7.44	1.91	7.61	1.92	8.12	1.98	8.46	2.00
	25	7.24	1.69	7.58	1.71	7.92	1.76	8.09	1.76	8.60	1.82	8.95	1.84
22	7.44	1.62	7.79	1.64	8.13	1.69	8.30	1.69	8.80	1.75	9.15	1.77	
10 + 10 + 05	46	5.40	1.75	5.72	1.78	6.04	1.80	6.20	1.82	6.67	1.85	6.99	1.88
	43	5.59	1.70	5.91	1.72	6.23	1.75	6.39	1.76	6.86	1.80	7.18	1.82
	40	5.78	1.64	6.10	1.66	6.42	1.69	6.58	1.70	7.06	1.74	7.38	1.77
	35	6.10	1.54	6.42	1.56	6.74	1.59	6.90	1.60	7.38	1.64	7.70	1.66
	32	6.30	1.49	6.62	1.51	6.94	1.55	7.10	1.55	7.57	1.60	7.89	1.62
	25	6.75	1.36	7.07	1.38	7.39	1.42	7.55	1.42	8.02	1.47	8.34	1.48
22	6.94	1.31	7.26	1.32	7.58	1.36	7.74	1.36	8.21	1.41	8.53	1.43	

Cooling

3 - rooms multisplit : 3 - units operation

Indoor units : 13 type + 10 type + 05 type 24 type + 10 type + 05 type
 16 type + 10 type + 05 type 13 type + 13 type + 05 type
 18 type + 10 type + 05 type 16 type + 13 type + 05 type
 22 type + 10 type + 05 type 18 type + 13 type + 05 type

TC : Total capacity [kW]

PI : Power input [kW]

Outdoor unit : RAS-3M26U2AVG-E

Combination (Capacity)	Outdoor air temp. [°C DB]	Indoor air temp. [°C WB]											
		14		16		18		19		22		24	
		TC [kW]	PI [kW]	TC [kW]	PI [kW]	TC [kW]	PI [kW]	TC [kW]	PI [kW]	TC [kW]	PI [kW]	TC [kW]	PI [kW]
13 + 10 + 05	46	5.79	1.91	6.13	1.93	6.47	1.96	6.65	1.98	7.16	2.01	7.50	2.04
	43	6.00	1.85	6.34	1.87	6.68	1.90	6.85	1.92	7.36	1.95	7.71	1.98
	40	6.20	1.79	6.54	1.81	6.89	1.84	7.06	1.85	7.57	1.90	7.91	1.92
	35	6.54	1.67	6.89	1.70	7.23	1.73	7.40	1.74	7.91	1.78	8.25	1.81
	32	6.75	1.62	7.10	1.64	7.44	1.68	7.61	1.69	8.12	1.74	8.46	1.76
	25	7.24	1.48	7.58	1.50	7.92	1.54	8.09	1.54	8.60	1.60	8.95	1.61
	22	7.44	1.42	7.79	1.44	8.13	1.48	8.30	1.48	8.80	1.54	9.15	1.55
16 + 10 + 05	46	5.79	2.24	6.13	2.27	6.47	2.30	6.65	2.32	7.16	2.36	7.50	2.40
	43	6.00	2.16	6.34	2.19	6.68	2.23	6.85	2.25	7.36	2.29	7.71	2.32
	40	6.20	2.09	6.54	2.12	6.89	2.16	7.06	2.17	7.57	2.22	7.91	2.25
	35	6.54	1.96	6.89	1.99	7.23	2.02	7.40	2.04	7.91	2.09	8.25	2.12
	32	6.75	1.90	7.10	1.93	7.44	1.97	7.61	1.98	8.12	2.04	8.46	2.06
	25	7.24	1.74	7.58	1.76	7.92	1.81	8.09	1.81	8.60	1.87	8.95	1.89
	22	7.44	1.67	7.79	1.69	8.13	1.74	8.30	1.74	8.80	1.80	9.15	1.82
18 + 10 + 05	46	5.79	2.16	6.13	2.19	6.47	2.22	6.65	2.24	7.16	2.28	7.50	2.31
	43	6.00	2.09	6.34	2.12	6.68	2.15	6.85	2.17	7.36	2.21	7.71	2.24
	40	6.20	2.02	6.54	2.05	6.89	2.08	7.06	2.10	7.57	2.15	7.91	2.18
	35	6.54	1.89	6.89	1.92	7.23	1.95	7.40	1.97	7.91	2.02	8.25	2.05
	32	6.75	1.84	7.10	1.86	7.44	1.90	7.61	1.91	8.12	1.97	8.46	1.99
	25	7.24	1.68	7.58	1.70	7.92	1.75	8.09	1.75	8.60	1.81	8.95	1.83
	22	7.44	1.61	7.79	1.63	8.13	1.68	8.30	1.68	8.80	1.74	9.15	1.76
22 + 10 + 05	46	5.79	2.17	6.13	2.20	6.47	2.23	6.65	2.25	7.16	2.29	7.50	2.33
	43	6.00	2.10	6.34	2.13	6.68	2.16	6.85	2.18	7.36	2.22	7.71	2.26
	40	6.20	2.03	6.54	2.06	6.89	2.09	7.06	2.11	7.57	2.16	7.91	2.19
	35	6.54	1.90	6.89	1.93	7.23	1.96	7.40	1.98	7.91	2.03	8.25	2.06
	32	6.75	1.85	7.10	1.87	7.44	1.91	7.61	1.92	8.12	1.98	8.46	2.00
	25	7.24	1.69	7.58	1.71	7.92	1.76	8.09	1.76	8.60	1.82	8.95	1.84
	22	7.44	1.62	7.79	1.64	8.13	1.69	8.30	1.69	8.80	1.75	9.15	1.77
24 + 10 + 05	46	5.79	2.17	6.13	2.20	6.47	2.23	6.65	2.25	7.16	2.29	7.50	2.33
	43	6.00	2.10	6.34	2.13	6.68	2.16	6.85	2.18	7.36	2.22	7.71	2.26
	40	6.20	2.03	6.54	2.06	6.89	2.09	7.06	2.11	7.57	2.16	7.91	2.19
	35	6.54	1.90	6.89	1.93	7.23	1.96	7.40	1.98	7.91	2.03	8.25	2.06
	32	6.75	1.85	7.10	1.87	7.44	1.91	7.61	1.92	8.12	1.98	8.46	2.00
	25	7.24	1.69	7.58	1.71	7.92	1.76	8.09	1.76	8.60	1.82	8.95	1.84
	22	7.44	1.62	7.79	1.64	8.13	1.69	8.30	1.69	8.80	1.75	9.15	1.77
13 + 13 + 05	46	5.79	2.31	6.13	2.34	6.47	2.38	6.65	2.40	7.16	2.44	7.50	2.48
	43	6.00	2.24	6.34	2.27	6.68	2.30	6.85	2.32	7.36	2.37	7.71	2.40
	40	6.20	2.17	6.54	2.19	6.89	2.23	7.06	2.25	7.57	2.30	7.91	2.33
	35	6.54	2.03	6.89	2.06	7.23	2.09	7.40	2.11	7.91	2.16	8.25	2.19
	32	6.75	1.97	7.10	1.99	7.44	2.04	7.61	2.05	8.12	2.11	8.46	2.13
	25	7.24	1.80	7.58	1.82	7.92	1.87	8.09	1.87	8.60	1.94	8.95	1.96
	22	7.44	1.72	7.79	1.74	8.13	1.80	8.30	1.80	8.80	1.87	9.15	1.88
16 + 13 + 05	46	5.79	2.16	6.13	2.19	6.47	2.22	6.65	2.24	7.16	2.28	7.50	2.31
	43	6.00	2.09	6.34	2.12	6.68	2.15	6.85	2.17	7.36	2.21	7.71	2.24
	40	6.20	2.02	6.54	2.05	6.89	2.08	7.06	2.10	7.57	2.15	7.91	2.18
	35	6.54	1.89	6.89	1.92	7.23	1.95	7.40	1.97	7.91	2.02	8.25	2.05
	32	6.75	1.84	7.10	1.86	7.44	1.90	7.61	1.91	8.12	1.97	8.46	1.99
	25	7.24	1.68	7.58	1.70	7.92	1.75	8.09	1.75	8.60	1.81	8.95	1.83
	22	7.44	1.61	7.79	1.63	8.13	1.68	8.30	1.68	8.80	1.74	9.15	1.76
18 + 13 + 05	46	5.79	2.17	6.13	2.20	6.47	2.23	6.65	2.25	7.16	2.29	7.50	2.33
	43	6.00	2.10	6.34	2.13	6.68	2.16	6.85	2.18	7.36	2.22	7.71	2.26
	40	6.20	2.03	6.54	2.06	6.89	2.09	7.06	2.11	7.57	2.16	7.91	2.19
	35	6.54	1.90	6.89	1.93	7.23	1.96	7.40	1.98	7.91	2.03	8.25	2.06
	32	6.75	1.85	7.10	1.87	7.44	1.91	7.61	1.92	8.12	1.98	8.46	2.00
	25	7.24	1.69	7.58	1.71	7.92	1.76	8.09	1.76	8.60	1.82	8.95	1.84
	22	7.44	1.62	7.79	1.64	8.13	1.69	8.30	1.69	8.80	1.75	9.15	1.77

Cooling

3 - room smultisplit : 3 - units operation

Indoor units : 22 type + 13 type + 05 type 22 type + 16 type + 05 type
 24 type + 13 type + 05 type 24 type + 16 type + 05 type
 16 type + 16 type + 05 type 07 type + 07 type + 07 type
 18 type + 16 type + 05 type 10 type + 07 type + 07 type

TC : Total capacity [kW]

PI : Power input [kW]

Outdoor unit : RAS-3M26U2AVG-E

Combination (Capacity)	Outdoor air temp. [° C DB]	Indoor air temp. [° C WB]											
		14		16		18		19		22		24	
		TC [kW]	PI [kW]	TC [kW]	PI [kW]	TC [kW]	PI [kW]	TC [kW]	PI [kW]	TC [kW]	PI [kW]	TC [kW]	PI [kW]
22 + 13 + 05	46	5.79	2.17	6.13	2.20	6.47	2.23	6.65	2.25	7.16	2.29	7.50	2.33
	43	6.00	2.10	6.34	2.13	6.68	2.16	6.85	2.18	7.36	2.22	7.71	2.26
	40	6.20	2.03	6.54	2.06	6.89	2.09	7.06	2.11	7.57	2.16	7.91	2.19
	35	6.54	1.90	6.89	1.93	7.23	1.96	7.40	1.98	7.91	2.03	8.25	2.06
	32	6.75	1.85	7.10	1.87	7.44	1.91	7.61	1.92	8.12	1.98	8.46	2.00
	25	7.24	1.69	7.58	1.71	7.92	1.76	8.09	1.76	8.60	1.82	8.95	1.84
	22	7.44	1.62	7.79	1.64	8.13	1.69	8.30	1.69	8.80	1.75	9.15	1.77
24 + 13 + 05	46	5.79	2.18	6.13	2.21	6.47	2.24	6.65	2.26	7.16	2.30	7.50	2.34
	43	6.00	2.11	6.34	2.14	6.68	2.17	6.85	2.19	7.36	2.24	7.71	2.27
	40	6.20	2.04	6.54	2.07	6.89	2.11	7.06	2.12	7.57	2.17	7.91	2.20
	35	6.54	1.91	6.89	1.94	7.23	1.97	7.40	1.99	7.91	2.04	8.25	2.07
	32	6.75	1.86	7.10	1.88	7.44	1.92	7.61	1.93	8.12	1.99	8.46	2.01
	25	7.24	1.70	7.58	1.72	7.92	1.77	8.09	1.77	8.60	1.83	8.95	1.84
	22	7.44	1.63	7.79	1.65	8.13	1.70	8.30	1.70	8.80	1.76	9.15	1.77
16 + 16 + 05	46	5.79	2.17	6.13	2.20	6.47	2.23	6.65	2.25	7.16	2.29	7.50	2.33
	43	6.00	2.10	6.34	2.13	6.68	2.16	6.85	2.18	7.36	2.22	7.71	2.26
	40	6.20	2.03	6.54	2.06	6.89	2.09	7.06	2.11	7.57	2.16	7.91	2.19
	35	6.54	1.90	6.89	1.93	7.23	1.96	7.40	1.98	7.91	2.03	8.25	2.06
	32	6.75	1.85	7.10	1.87	7.44	1.91	7.61	1.92	8.12	1.98	8.46	2.00
	25	7.24	1.69	7.58	1.71	7.92	1.76	8.09	1.76	8.60	1.82	8.95	1.84
	22	7.44	1.62	7.79	1.64	8.13	1.69	8.30	1.69	8.80	1.75	9.15	1.77
18 + 16 + 05	46	5.79	2.17	6.13	2.20	6.47	2.23	6.65	2.25	7.16	2.29	7.50	2.33
	43	6.00	2.10	6.34	2.13	6.68	2.16	6.85	2.18	7.36	2.22	7.71	2.26
	40	6.20	2.03	6.54	2.06	6.89	2.09	7.06	2.11	7.57	2.16	7.91	2.19
	35	6.54	1.90	6.89	1.93	7.23	1.96	7.40	1.98	7.91	2.03	8.25	2.06
	32	6.75	1.85	7.10	1.87	7.44	1.91	7.61	1.92	8.12	1.98	8.46	2.00
	25	7.24	1.69	7.58	1.71	7.92	1.76	8.09	1.76	8.60	1.82	8.95	1.84
	22	7.44	1.62	7.79	1.64	8.13	1.69	8.30	1.69	8.80	1.75	9.15	1.77
22 + 16 + 05	46	5.79	2.18	6.13	2.21	6.47	2.24	6.65	2.26	7.16	2.30	7.50	2.34
	43	6.00	2.11	6.34	2.14	6.68	2.17	6.85	2.19	7.36	2.24	7.71	2.27
	40	6.20	2.04	6.54	2.07	6.89	2.11	7.06	2.12	7.57	2.17	7.91	2.20
	35	6.54	1.91	6.89	1.94	7.23	1.97	7.40	1.99	7.91	2.04	8.25	2.07
	32	6.75	1.86	7.10	1.88	7.44	1.92	7.61	1.93	8.12	1.99	8.46	2.01
	25	7.24	1.70	7.58	1.72	7.92	1.77	8.09	1.77	8.60	1.83	8.95	1.84
	22	7.44	1.63	7.79	1.65	8.13	1.70	8.30	1.70	8.80	1.76	9.15	1.77
24 + 16 + 05	46	5.87	2.19	6.21	2.22	6.56	2.25	6.74	2.27	7.25	2.32	7.60	2.35
	43	6.08	2.12	6.42	2.15	6.77	2.18	6.94	2.20	7.46	2.25	7.81	2.28
	40	6.29	2.05	6.63	2.08	6.98	2.12	7.15	2.13	7.67	2.18	8.02	2.21
	35	6.63	1.92	6.98	1.95	7.33	1.98	7.50	2.00	8.02	2.05	8.36	2.08
	32	6.85	1.87	7.19	1.89	7.54	1.93	7.71	1.94	8.23	2.00	8.58	2.02
	25	7.33	1.70	7.68	1.72	8.03	1.77	8.20	1.78	8.71	1.84	9.07	1.85
	22	7.54	1.63	7.89	1.65	8.24	1.71	8.41	1.70	8.92	1.77	9.28	1.78
07 + 07 + 07	46	4.69	1.53	4.97	1.56	5.25	1.58	5.39	1.59	5.80	1.62	6.08	1.65
	43	4.86	1.49	5.14	1.51	5.42	1.53	5.56	1.54	5.97	1.57	6.25	1.60
	40	5.03	1.44	5.31	1.46	5.58	1.48	5.72	1.49	6.14	1.52	6.42	1.55
	35	5.31	1.34	5.58	1.37	5.86	1.39	6.00	1.40	6.41	1.43	6.69	1.45
	32	5.48	1.31	5.75	1.32	6.03	1.35	6.17	1.36	6.58	1.40	6.86	1.41
	25	5.87	1.19	6.15	1.21	6.42	1.24	6.56	1.24	6.97	1.29	7.25	1.30
	22	6.04	1.14	6.31	1.16	6.59	1.19	6.73	1.19	7.14	1.24	7.42	1.25
10 + 07 + 07	46	5.24	1.82	5.55	1.84	5.86	1.87	6.02	1.89	6.48	1.92	6.79	1.95
	43	5.43	1.76	5.74	1.79	6.05	1.81	6.20	1.83	6.66	1.86	6.98	1.89
	40	5.62	1.70	5.93	1.73	6.24	1.76	6.39	1.77	6.85	1.81	7.16	1.83
	35	5.93	1.59	6.23	1.62	6.54	1.65	6.70	1.66	7.16	1.70	7.47	1.72
	32	6.12	1.55	6.43	1.57	6.73	1.60	6.89	1.61	7.35	1.66	7.66	1.68
	25	6.55	1.41	6.86	1.43	7.17	1.47	7.33	1.47	7.78	1.52	8.10	1.54
	22	6.74	1.36	7.05	1.37	7.36	1.42	7.51	1.41	7.97	1.47	8.29	1.48

Cooling

3 - rooms multisplit : 3 - units operation

Indoor units : 13 type + 07 type + 07 type 24 type + 07 type + 07 type
 16 type + 07 type + 07 type 10 type + 10 type + 07 type
 18 type + 07 type + 07 type 13 type + 10 type + 07 type
 22 type + 07 type + 07 type 16 type + 10 type + 07 type

TC : Total capacity [kW]

PI : Power input [kW]

Outdoor unit : RAS-3M26U2AVG-E

Combination (Capacity)	Outdoor air temp. [°C DB]	Indoor air temp. [° C WB]											
		14		16		18		19		22		24	
		TC [kW]	PI [kW]	TC [kW]	PI [kW]	TC [kW]	PI [kW]	TC [kW]	PI [kW]	TC [kW]	PI [kW]	TC [kW]	PI [kW]
13 + 07 + 07	46	5.79	2.16	6.13	2.19	6.47	2.22	6.65	2.24	7.16	2.29	7.50	2.32
	43	6.00	2.10	6.34	2.12	6.68	2.16	6.85	2.17	7.36	2.22	7.71	2.25
	40	6.20	2.03	6.54	2.05	6.89	2.09	7.06	2.10	7.57	2.15	7.91	2.18
	35	6.54	1.90	6.89	1.93	7.23	1.96	7.40	1.98	7.91	2.02	8.25	2.05
	32	6.75	1.84	7.10	1.87	7.44	1.91	7.61	1.92	8.12	1.97	8.46	1.99
	25	7.24	1.68	7.58	1.70	7.92	1.75	8.09	1.75	8.60	1.81	8.95	1.83
16 + 07 + 07	22	7.44	1.61	7.79	1.63	8.13	1.68	8.30	1.68	8.80	1.75	9.15	1.76
	46	5.79	2.16	6.13	2.19	6.47	2.22	6.65	2.24	7.16	2.29	7.50	2.32
	43	6.00	2.10	6.34	2.12	6.68	2.16	6.85	2.17	7.36	2.22	7.71	2.25
	40	6.20	2.03	6.54	2.05	6.89	2.09	7.06	2.10	7.57	2.15	7.91	2.18
	35	6.54	1.90	6.89	1.93	7.23	1.96	7.40	1.98	7.91	2.02	8.25	2.05
	32	6.75	1.84	7.10	1.87	7.44	1.91	7.61	1.92	8.12	1.97	8.46	1.99
18 + 07 + 07	25	7.24	1.68	7.58	1.70	7.92	1.75	8.09	1.75	8.60	1.81	8.95	1.83
	22	7.44	1.61	7.79	1.63	8.13	1.68	8.30	1.68	8.80	1.75	9.15	1.76
	46	5.79	2.16	6.13	2.19	6.47	2.22	6.65	2.24	7.16	2.29	7.50	2.32
	43	6.00	2.10	6.34	2.12	6.68	2.16	6.85	2.17	7.36	2.22	7.71	2.25
	40	6.20	2.03	6.54	2.05	6.89	2.09	7.06	2.10	7.57	2.15	7.91	2.18
	35	6.54	1.90	6.89	1.93	7.23	1.96	7.40	1.98	7.91	2.02	8.25	2.05
22 + 07 + 07	32	6.75	1.84	7.10	1.87	7.44	1.91	7.61	1.92	8.12	1.97	8.46	1.99
	25	7.24	1.68	7.58	1.70	7.92	1.75	8.09	1.75	8.60	1.81	8.95	1.83
	22	7.44	1.61	7.79	1.63	8.13	1.68	8.30	1.68	8.80	1.75	9.15	1.76
	46	5.79	2.16	6.13	2.19	6.47	2.22	6.65	2.24	7.16	2.29	7.50	2.32
	43	6.00	2.10	6.34	2.12	6.68	2.16	6.85	2.17	7.36	2.22	7.71	2.25
	40	6.20	2.03	6.54	2.05	6.89	2.09	7.06	2.10	7.57	2.15	7.91	2.18
24 + 07 + 07	35	6.54	1.90	6.89	1.93	7.23	1.96	7.40	1.98	7.91	2.02	8.25	2.05
	32	6.75	1.84	7.10	1.87	7.44	1.91	7.61	1.92	8.12	1.97	8.46	1.99
	25	7.24	1.68	7.58	1.70	7.92	1.75	8.09	1.75	8.60	1.81	8.95	1.83
	22	7.44	1.61	7.79	1.63	8.13	1.68	8.30	1.68	8.80	1.75	9.15	1.76
	46	5.79	2.16	6.13	2.19	6.47	2.22	6.65	2.24	7.16	2.29	7.50	2.32
	43	6.00	2.10	6.34	2.12	6.68	2.16	6.85	2.17	7.36	2.22	7.71	2.25
10 + 10 + 07	40	6.20	2.03	6.54	2.05	6.89	2.09	7.06	2.10	7.57	2.15	7.91	2.18
	35	6.54	1.90	6.89	1.93	7.23	1.96	7.40	1.98	7.91	2.02	8.25	2.05
	32	6.75	1.84	7.10	1.87	7.44	1.91	7.61	1.92	8.12	1.97	8.46	1.99
	25	7.24	1.68	7.58	1.70	7.92	1.75	8.09	1.75	8.60	1.81	8.95	1.83
	22	7.44	1.61	7.79	1.63	8.13	1.68	8.30	1.68	8.80	1.75	9.15	1.76
	46	5.79	2.03	6.13	2.06	6.47	2.08	6.65	2.10	7.16	2.14	7.50	2.17
13 + 10 + 07	43	6.00	1.96	6.34	1.99	6.68	2.02	6.85	2.04	7.36	2.08	7.71	2.11
	40	6.20	1.90	6.54	1.92	6.89	1.96	7.06	1.97	7.57	2.02	7.91	2.04
	35	6.54	1.78	6.89	1.81	7.23	1.83	7.40	1.85	7.91	1.89	8.25	1.92
	32	6.75	1.73	7.10	1.75	7.44	1.79	7.61	1.80	8.12	1.85	8.46	1.87
	25	7.24	1.58	7.58	1.60	7.92	1.64	8.09	1.64	8.60	1.70	8.95	1.71
	22	7.44	1.51	7.79	1.53	8.13	1.58	8.30	1.58	8.80	1.64	9.15	1.65
16 + 10 + 07	46	5.79	2.16	6.13	2.19	6.47	2.22	6.65	2.24	7.16	2.29	7.50	2.32
	43	6.00	2.10	6.34	2.12	6.68	2.16	6.85	2.17	7.36	2.22	7.71	2.25
	40	6.20	2.03	6.54	2.05	6.89	2.09	7.06	2.10	7.57	2.15	7.91	2.18
	35	6.54	1.90	6.89	1.93	7.23	1.96	7.40	1.98	7.91	2.02	8.25	2.05
	32	6.75	1.84	7.10	1.87	7.44	1.91	7.61	1.92	8.12	1.97	8.46	1.99
	25	7.24	1.68	7.58	1.70	7.92	1.75	8.09	1.75	8.60	1.81	8.95	1.83
22	7.44	1.61	7.79	1.63	8.13	1.68	8.30	1.68	8.80	1.75	9.15	1.76	

Cooling

3 - rooms multisplit : 3 - units operation

Indoor units : 18 type + 10 type + 07 type 16 type + 13 type + 07 type
 22 type + 10 type + 07 type 18 type + 13 type + 07 type
 24 type + 10 type + 07 type 22 type + 13 type + 07 type
 13 type + 13 type + 07 type 24 type + 13 type + 07 type

TC : Total capacity [kW]
 PI : Power input [kW]

Outdoor unit : RAS-3M26U2AVG-E

Combination (Capacity)	Outdoor air temp. [°C DB]	Indoor air temp. [°C WB]											
		14		16		18		19		22		24	
		TC [kW]	PI [kW]	TC [kW]	PI [kW]	TC [kW]	PI [kW]	TC [kW]	PI [kW]	TC [kW]	PI [kW]	TC [kW]	PI [kW]
18 + 10 + 07	46	5.79	2.16	6.13	2.19	6.47	2.22	6.65	2.24	7.16	2.29	7.50	2.32
	43	6.00	2.10	6.34	2.12	6.68	2.16	6.85	2.17	7.36	2.22	7.71	2.25
	40	6.20	2.03	6.54	2.05	6.89	2.09	7.06	2.10	7.57	2.15	7.91	2.18
	35	6.54	1.90	6.89	1.93	7.23	1.96	7.40	1.98	7.91	2.02	8.25	2.05
	32	6.75	1.84	7.10	1.87	7.44	1.91	7.61	1.92	8.12	1.97	8.46	1.99
	25	7.24	1.68	7.58	1.70	7.92	1.75	8.09	1.75	8.60	1.81	8.95	1.83
	22	7.44	1.61	7.79	1.63	8.13	1.68	8.30	1.68	8.80	1.75	9.15	1.76
22 + 10 + 07	46	5.79	2.16	6.13	2.19	6.47	2.22	6.65	2.24	7.16	2.29	7.50	2.32
	43	6.00	2.10	6.34	2.12	6.68	2.16	6.85	2.17	7.36	2.22	7.71	2.25
	40	6.20	2.03	6.54	2.05	6.89	2.09	7.06	2.10	7.57	2.15	7.91	2.18
	35	6.54	1.90	6.89	1.93	7.23	1.96	7.40	1.98	7.91	2.02	8.25	2.05
	32	6.75	1.84	7.10	1.87	7.44	1.91	7.61	1.92	8.12	1.97	8.46	1.99
	25	7.24	1.68	7.58	1.70	7.92	1.75	8.09	1.75	8.60	1.81	8.95	1.83
	22	7.44	1.61	7.79	1.63	8.13	1.68	8.30	1.68	8.80	1.75	9.15	1.76
24 + 10 + 07	46	5.79	2.16	6.13	2.19	6.47	2.22	6.65	2.24	7.16	2.29	7.50	2.32
	43	6.00	2.10	6.34	2.12	6.68	2.16	6.85	2.17	7.36	2.22	7.71	2.25
	40	6.20	2.03	6.54	2.05	6.89	2.09	7.06	2.10	7.57	2.15	7.91	2.18
	35	6.54	1.90	6.89	1.93	7.23	1.96	7.40	1.98	7.91	2.02	8.25	2.05
	32	6.75	1.84	7.10	1.87	7.44	1.91	7.61	1.92	8.12	1.97	8.46	1.99
	25	7.24	1.68	7.58	1.70	7.92	1.75	8.09	1.75	8.60	1.81	8.95	1.83
	22	7.44	1.61	7.79	1.63	8.13	1.68	8.30	1.68	8.80	1.75	9.15	1.76
13 + 13 + 07	46	5.79	2.16	6.13	2.19	6.47	2.22	6.65	2.24	7.16	2.29	7.50	2.32
	43	6.00	2.10	6.34	2.12	6.68	2.16	6.85	2.17	7.36	2.22	7.71	2.25
	40	6.20	2.03	6.54	2.05	6.89	2.09	7.06	2.10	7.57	2.15	7.91	2.18
	35	6.54	1.90	6.89	1.93	7.23	1.96	7.40	1.98	7.91	2.02	8.25	2.05
	32	6.75	1.84	7.10	1.87	7.44	1.91	7.61	1.92	8.12	1.97	8.46	1.99
	25	7.24	1.68	7.58	1.70	7.92	1.75	8.09	1.75	8.60	1.81	8.95	1.83
	22	7.44	1.61	7.79	1.63	8.13	1.68	8.30	1.68	8.80	1.75	9.15	1.76
16 + 13 + 07	46	5.79	2.16	6.13	2.19	6.47	2.22	6.65	2.24	7.16	2.29	7.50	2.32
	43	6.00	2.10	6.34	2.12	6.68	2.16	6.85	2.17	7.36	2.22	7.71	2.25
	40	6.20	2.03	6.54	2.05	6.89	2.09	7.06	2.10	7.57	2.15	7.91	2.18
	35	6.54	1.90	6.89	1.93	7.23	1.96	7.40	1.98	7.91	2.02	8.25	2.05
	32	6.75	1.84	7.10	1.87	7.44	1.91	7.61	1.92	8.12	1.97	8.46	1.99
	25	7.24	1.68	7.58	1.70	7.92	1.75	8.09	1.75	8.60	1.81	8.95	1.83
	22	7.44	1.61	7.79	1.63	8.13	1.68	8.30	1.68	8.80	1.75	9.15	1.76
18 + 13 + 07	46	5.79	2.16	6.13	2.19	6.47	2.22	6.65	2.24	7.16	2.29	7.50	2.32
	43	6.00	2.10	6.34	2.12	6.68	2.16	6.85	2.17	7.36	2.22	7.71	2.25
	40	6.20	2.03	6.54	2.05	6.89	2.09	7.06	2.10	7.57	2.15	7.91	2.18
	35	6.54	1.90	6.89	1.93	7.23	1.96	7.40	1.98	7.91	2.02	8.25	2.05
	32	6.75	1.84	7.10	1.87	7.44	1.91	7.61	1.92	8.12	1.97	8.46	1.99
	25	7.24	1.68	7.58	1.70	7.92	1.75	8.09	1.75	8.60	1.81	8.95	1.83
	22	7.44	1.61	7.79	1.63	8.13	1.68	8.30	1.68	8.80	1.75	9.15	1.76
22 + 13 + 07	46	5.79	2.16	6.13	2.19	6.47	2.22	6.65	2.24	7.16	2.29	7.50	2.32
	43	6.00	2.10	6.34	2.12	6.68	2.16	6.85	2.17	7.36	2.22	7.71	2.25
	40	6.20	2.03	6.54	2.05	6.89	2.09	7.06	2.10	7.57	2.15	7.91	2.18
	35	6.54	1.90	6.89	1.93	7.23	1.96	7.40	1.98	7.91	2.02	8.25	2.05
	32	6.75	1.84	7.10	1.87	7.44	1.91	7.61	1.92	8.12	1.97	8.46	1.99
	25	7.24	1.68	7.58	1.70	7.92	1.75	8.09	1.75	8.60	1.81	8.95	1.83
	22	7.44	1.61	7.79	1.63	8.13	1.68	8.30	1.68	8.80	1.75	9.15	1.76
24 + 13 + 07	46	5.79	2.16	6.13	2.19	6.47	2.22	6.65	2.24	7.16	2.29	7.50	2.32
	43	6.00	2.10	6.34	2.12	6.68	2.16	6.85	2.17	7.36	2.22	7.71	2.25
	40	6.20	2.03	6.54	2.05	6.89	2.09	7.06	2.10	7.57	2.15	7.91	2.18
	35	6.54	1.90	6.89	1.93	7.23	1.96	7.40	1.98	7.91	2.02	8.25	2.05
	32	6.75	1.84	7.10	1.87	7.44	1.91	7.61	1.92	8.12	1.97	8.46	1.99
	25	7.24	1.68	7.58	1.70	7.92	1.75	8.09	1.75	8.60	1.81	8.95	1.83
	22	7.44	1.61	7.79	1.63	8.13	1.68	8.30	1.68	8.80	1.75	9.15	1.76

Cooling

3 - rooms multisplit : 3 - units operation

Indoor units : 16 type + 16 type + 07 type 10 type + 10 type + 10 type
 18 type + 16 type + 07 type 13 type + 10 type + 10 type
 22 type + 16 type + 07 type 16 type + 10 type + 10 type
 24 type + 16 type + 07 type 18 type + 10 type + 10 type

Outdoor unit : RAS-3M26U2AVG-E

TC : Total capacity [kW]

PI : Power input [kW]

Combination (Capacity)	Outdoor air temp. [°C DB]	Indoor air temp. [°C WB]											
		14		16		18		19		22		24	
		TC [kW]	PI [kW]	TC [kW]	PI [kW]	TC [kW]	PI [kW]	TC [kW]	PI [kW]	TC [kW]	PI [kW]	TC [kW]	PI [kW]
16 + 16 + 07	46	5.79	2.16	6.13	2.19	6.47	2.22	6.65	2.24	7.16	2.29	7.50	2.32
	43	6.00	2.10	6.34	2.12	6.68	2.16	6.85	2.17	7.36	2.22	7.71	2.25
	40	6.20	2.03	6.54	2.05	6.89	2.09	7.06	2.10	7.57	2.15	7.91	2.18
	35	6.54	1.90	6.89	1.93	7.23	1.96	7.40	1.98	7.91	2.02	8.25	2.05
	32	6.75	1.84	7.10	1.87	7.44	1.91	7.61	1.92	8.12	1.97	8.46	1.99
	25	7.24	1.68	7.58	1.70	7.92	1.75	8.09	1.75	8.60	1.81	8.95	1.83
	22	7.44	1.61	7.79	1.63	8.13	1.68	8.30	1.68	8.80	1.75	9.15	1.76
18 + 16 + 07	46	5.79	2.16	6.13	2.19	6.47	2.22	6.65	2.24	7.16	2.29	7.50	2.32
	43	6.00	2.10	6.34	2.12	6.68	2.16	6.85	2.17	7.36	2.22	7.71	2.25
	40	6.20	2.03	6.54	2.05	6.89	2.09	7.06	2.10	7.57	2.15	7.91	2.18
	35	6.54	1.90	6.89	1.93	7.23	1.96	7.40	1.98	7.91	2.02	8.25	2.05
	32	6.75	1.84	7.10	1.87	7.44	1.91	7.61	1.92	8.12	1.97	8.46	1.99
	25	7.24	1.68	7.58	1.70	7.92	1.75	8.09	1.75	8.60	1.81	8.95	1.83
	22	7.44	1.61	7.79	1.63	8.13	1.68	8.30	1.68	8.80	1.75	9.15	1.76
22 + 16 + 07	46	5.87	2.19	6.21	2.22	6.56	2.25	6.74	2.27	7.25	2.32	7.60	2.35
	43	6.08	2.12	6.42	2.15	6.77	2.18	6.94	2.20	7.46	2.25	7.81	2.28
	40	6.29	2.05	6.63	2.08	6.98	2.12	7.15	2.13	7.67	2.18	8.02	2.21
	35	6.63	1.92	6.98	1.95	7.33	1.98	7.50	2.00	8.02	2.05	8.36	2.08
	32	6.85	1.87	7.19	1.89	7.54	1.93	7.71	1.94	8.23	2.00	8.58	2.02
	25	7.33	1.70	7.68	1.72	8.03	1.77	8.20	1.78	8.71	1.84	9.07	1.85
	22	7.54	1.63	7.89	1.65	8.24	1.71	8.41	1.70	8.92	1.77	9.28	1.78
24 + 16 + 07	46	5.87	2.19	6.21	2.22	6.56	2.25	6.74	2.27	7.25	2.32	7.60	2.35
	43	6.08	2.12	6.42	2.15	6.77	2.18	6.94	2.20	7.46	2.25	7.81	2.28
	40	6.29	2.05	6.63	2.08	6.98	2.12	7.15	2.13	7.67	2.18	8.02	2.21
	35	6.63	1.92	6.98	1.95	7.33	1.98	7.50	2.00	8.02	2.05	8.36	2.08
	32	6.85	1.87	7.19	1.89	7.54	1.93	7.71	1.94	8.23	2.00	8.58	2.02
	25	7.33	1.70	7.68	1.72	8.03	1.77	8.20	1.78	8.71	1.84	9.07	1.85
	22	7.54	1.63	7.89	1.65	8.24	1.71	8.41	1.70	8.92	1.77	9.28	1.78
10 + 10 + 10	46	5.79	2.16	6.13	2.19	6.47	2.22	6.65	2.24	7.16	2.29	7.50	2.32
	43	6.00	2.10	6.34	2.12	6.68	2.16	6.85	2.17	7.36	2.22	7.71	2.25
	40	6.20	2.03	6.54	2.05	6.89	2.09	7.06	2.10	7.57	2.15	7.91	2.18
	35	6.54	1.90	6.89	1.93	7.23	1.96	7.40	1.98	7.91	2.02	8.25	2.05
	32	6.75	1.84	7.10	1.87	7.44	1.91	7.61	1.92	8.12	1.97	8.46	1.99
	25	7.24	1.68	7.58	1.70	7.92	1.75	8.09	1.75	8.60	1.81	8.95	1.83
	22	7.44	1.61	7.79	1.63	8.13	1.68	8.30	1.68	8.80	1.75	9.15	1.76
13 + 10 + 10	46	5.79	2.16	6.13	2.19	6.47	2.22	6.65	2.24	7.16	2.29	7.50	2.32
	43	6.00	2.10	6.34	2.12	6.68	2.16	6.85	2.17	7.36	2.22	7.71	2.25
	40	6.20	2.03	6.54	2.05	6.89	2.09	7.06	2.10	7.57	2.15	7.91	2.18
	35	6.54	1.90	6.89	1.93	7.23	1.96	7.40	1.98	7.91	2.02	8.25	2.05
	32	6.75	1.84	7.10	1.87	7.44	1.91	7.61	1.92	8.12	1.97	8.46	1.99
	25	7.24	1.68	7.58	1.70	7.92	1.75	8.09	1.75	8.60	1.81	8.95	1.83
	22	7.44	1.61	7.79	1.63	8.13	1.68	8.30	1.68	8.80	1.75	9.15	1.76
16 + 10 + 10	46	5.79	2.16	6.13	2.19	6.47	2.22	6.65	2.24	7.16	2.29	7.50	2.32
	43	6.00	2.10	6.34	2.12	6.68	2.16	6.85	2.17	7.36	2.22	7.71	2.25
	40	6.20	2.03	6.54	2.05	6.89	2.09	7.06	2.10	7.57	2.15	7.91	2.18
	35	6.54	1.90	6.89	1.93	7.23	1.96	7.40	1.98	7.91	2.02	8.25	2.05
	32	6.75	1.84	7.10	1.87	7.44	1.91	7.61	1.92	8.12	1.97	8.46	1.99
	25	7.24	1.68	7.58	1.70	7.92	1.75	8.09	1.75	8.60	1.81	8.95	1.83
	22	7.44	1.61	7.79	1.63	8.13	1.68	8.30	1.68	8.80	1.75	9.15	1.76
18 + 10 + 10	46	5.79	2.16	6.13	2.19	6.47	2.22	6.65	2.24	7.16	2.29	7.50	2.32
	43	6.00	2.10	6.34	2.12	6.68	2.16	6.85	2.17	7.36	2.22	7.71	2.25
	40	6.20	2.03	6.54	2.05	6.89	2.09	7.06	2.10	7.57	2.15	7.91	2.18
	35	6.54	1.90	6.89	1.93	7.23	1.96	7.40	1.98	7.91	2.02	8.25	2.05
	32	6.75	1.84	7.10	1.87	7.44	1.91	7.61	1.92	8.12	1.97	8.46	1.99
	25	7.24	1.68	7.58	1.70	7.92	1.75	8.09	1.75	8.60	1.81	8.95	1.83
	22	7.44	1.61	7.79	1.63	8.13	1.68	8.30	1.68	8.80	1.75	9.15	1.76

Cooling

3 - rooms multisplit : 3 - units operation

Indoor units : 22 type + 10 type + 10 type 18 type + 13 type + 10 type
 24 type + 10 type + 10 type 22 type + 13 type + 10 type
 13 type + 13 type + 10 type 24 type + 13 type + 10 type
 16 type + 13 type + 10 type 16 type + 16 type + 10 type

TC : Total capacity [kW]
 PI : Power input [kW]

Outdoor unit : RAS-3M26U2AVG-E

Combination (Capacity)	Outdoor air temp. [°C DB]	Indoor air temp. [°C WB]											
		14		16		18		19		22		24	
		TC [kW]	PI [kW]	TC [kW]	PI [kW]	TC [kW]	PI [kW]	TC [kW]	PI [kW]	TC [kW]	PI [kW]	TC [kW]	PI [kW]
22 + 10 + 10	46	5.79	2.16	6.13	2.19	6.47	2.22	6.65	2.24	7.16	2.29	7.50	2.32
	43	6.00	2.10	6.34	2.12	6.68	2.16	6.85	2.17	7.36	2.22	7.71	2.25
	40	6.20	2.03	6.54	2.05	6.89	2.09	7.06	2.10	7.57	2.15	7.91	2.18
	35	6.54	1.90	6.89	1.93	7.23	1.96	7.40	1.98	7.91	2.02	8.25	2.05
	32	6.75	1.84	7.10	1.87	7.44	1.91	7.61	1.92	8.12	1.97	8.46	1.99
	25	7.24	1.68	7.58	1.70	7.92	1.75	8.09	1.75	8.60	1.81	8.95	1.83
	22	7.44	1.61	7.79	1.63	8.13	1.68	8.30	1.68	8.80	1.75	9.15	1.76
24 + 10 + 10	46	5.79	2.16	6.13	2.19	6.47	2.22	6.65	2.24	7.16	2.29	7.50	2.32
	43	6.00	2.10	6.34	2.12	6.68	2.16	6.85	2.17	7.36	2.22	7.71	2.25
	40	6.20	2.03	6.54	2.05	6.89	2.09	7.06	2.10	7.57	2.15	7.91	2.18
	35	6.54	1.90	6.89	1.93	7.23	1.96	7.40	1.98	7.91	2.02	8.25	2.05
	32	6.75	1.84	7.10	1.87	7.44	1.91	7.61	1.92	8.12	1.97	8.46	1.99
	25	7.24	1.68	7.58	1.70	7.92	1.75	8.09	1.75	8.60	1.81	8.95	1.83
	22	7.44	1.61	7.79	1.63	8.13	1.68	8.30	1.68	8.80	1.75	9.15	1.76
13 + 13 + 10	46	5.79	2.16	6.13	2.19	6.47	2.22	6.65	2.24	7.16	2.29	7.50	2.32
	43	6.00	2.10	6.34	2.12	6.68	2.16	6.85	2.17	7.36	2.22	7.71	2.25
	40	6.20	2.03	6.54	2.05	6.89	2.09	7.06	2.10	7.57	2.15	7.91	2.18
	35	6.54	1.90	6.89	1.93	7.23	1.96	7.40	1.98	7.91	2.02	8.25	2.05
	32	6.75	1.84	7.10	1.87	7.44	1.91	7.61	1.92	8.12	1.97	8.46	1.99
	25	7.24	1.68	7.58	1.70	7.92	1.75	8.09	1.75	8.60	1.81	8.95	1.83
	22	7.44	1.61	7.79	1.63	8.13	1.68	8.30	1.68	8.80	1.75	9.15	1.76
16 + 13 + 10	46	5.79	2.16	6.13	2.19	6.47	2.22	6.65	2.24	7.16	2.29	7.50	2.32
	43	6.00	2.10	6.34	2.12	6.68	2.16	6.85	2.17	7.36	2.22	7.71	2.25
	40	6.20	2.03	6.54	2.05	6.89	2.09	7.06	2.10	7.57	2.15	7.91	2.18
	35	6.54	1.90	6.89	1.93	7.23	1.96	7.40	1.98	7.91	2.02	8.25	2.05
	32	6.75	1.84	7.10	1.87	7.44	1.91	7.61	1.92	8.12	1.97	8.46	1.99
	25	7.24	1.68	7.58	1.70	7.92	1.75	8.09	1.75	8.60	1.81	8.95	1.83
	22	7.44	1.61	7.79	1.63	8.13	1.68	8.30	1.68	8.80	1.75	9.15	1.76
18 + 13 + 10	46	5.79	2.16	6.13	2.19	6.47	2.22	6.65	2.24	7.16	2.29	7.50	2.32
	43	6.00	2.10	6.34	2.12	6.68	2.16	6.85	2.17	7.36	2.22	7.71	2.25
	40	6.20	2.03	6.54	2.05	6.89	2.09	7.06	2.10	7.57	2.15	7.91	2.18
	35	6.54	1.90	6.89	1.93	7.23	1.96	7.40	1.98	7.91	2.02	8.25	2.05
	32	6.75	1.84	7.10	1.87	7.44	1.91	7.61	1.92	8.12	1.97	8.46	1.99
	25	7.24	1.68	7.58	1.70	7.92	1.75	8.09	1.75	8.60	1.81	8.95	1.83
	22	7.44	1.61	7.79	1.63	8.13	1.68	8.30	1.68	8.80	1.75	9.15	1.76
22 + 13 + 10	46	5.87	2.19	6.21	2.22	6.56	2.25	6.74	2.27	7.25	2.32	7.60	2.35
	43	6.08	2.12	6.42	2.15	6.77	2.18	6.94	2.20	7.46	2.25	7.81	2.28
	40	6.29	2.05	6.63	2.08	6.98	2.12	7.15	2.13	7.67	2.18	8.02	2.21
	35	6.63	1.92	6.98	1.95	7.33	1.98	7.50	2.00	8.02	2.05	8.36	2.08
	32	6.85	1.87	7.19	1.89	7.54	1.93	7.71	1.94	8.23	2.00	8.58	2.02
	25	7.33	1.70	7.68	1.72	8.03	1.77	8.20	1.78	8.71	1.84	9.07	1.85
	22	7.54	1.63	7.89	1.65	8.24	1.71	8.41	1.70	8.92	1.77	9.28	1.78
24 + 13 + 10	46	5.87	2.19	6.21	2.22	6.56	2.25	6.74	2.27	7.25	2.32	7.60	2.35
	43	6.08	2.12	6.42	2.15	6.77	2.18	6.94	2.20	7.46	2.25	7.81	2.28
	40	6.29	2.05	6.63	2.08	6.98	2.12	7.15	2.13	7.67	2.18	8.02	2.21
	35	6.63	1.92	6.98	1.95	7.33	1.98	7.50	2.00	8.02	2.05	8.36	2.08
	32	6.85	1.87	7.19	1.89	7.54	1.93	7.71	1.94	8.23	2.00	8.58	2.02
	25	7.33	1.70	7.68	1.72	8.03	1.77	8.20	1.78	8.71	1.84	9.07	1.85
	22	7.54	1.63	7.89	1.65	8.24	1.71	8.41	1.70	8.92	1.77	9.28	1.78
16 + 16 + 10	46	5.79	2.16	6.13	2.19	6.47	2.22	6.65	2.24	7.16	2.29	7.50	2.32
	43	6.00	2.10	6.34	2.12	6.68	2.16	6.85	2.17	7.36	2.22	7.71	2.25
	40	6.20	2.03	6.54	2.05	6.89	2.09	7.06	2.10	7.57	2.15	7.91	2.18
	35	6.54	1.90	6.89	1.93	7.23	1.96	7.40	1.98	7.91	2.02	8.25	2.05
	32	6.75	1.84	7.10	1.87	7.44	1.91	7.61	1.92	8.12	1.97	8.46	1.99
	25	7.24	1.68	7.58	1.70	7.92	1.75	8.09	1.75	8.60	1.81	8.95	1.83
	22	7.44	1.61	7.79	1.63	8.13	1.68	8.30	1.68	8.80	1.75	9.15	1.76

Cooling

3 - rooms multisplit : 3 - units operation

Indoor units : 18 type + 16 type + 10 type 16 type + 13 type + 13 type
 22 type + 16 type + 10 type 18 type + 13 type + 13 type
 24 type + 16 type + 10 type 22 type + 13 type + 13 type
 13 type + 13 type + 13 type 24 type + 13 type + 13 type

TC : Total capacity [kW]
 PI : Power input [kW]

Outdoor unit : RAS-3M26U2AVG-E

Combination (Capacity)	Outdoor air temp. [°C DB]	Indoor air temp. [°C WB]											
		14		16		18		19		22		24	
		TC [kW]	PI [kW]	TC [kW]	PI [kW]	TC [kW]	PI [kW]	TC [kW]	PI [kW]	TC [kW]	PI [kW]	TC [kW]	PI [kW]
18 + 16 + 10	46	5.79	2.16	6.13	2.19	6.47	2.22	6.65	2.24	7.16	2.29	7.50	2.32
	43	6.00	2.10	6.34	2.12	6.68	2.16	6.85	2.17	7.36	2.22	7.71	2.25
	40	6.20	2.03	6.54	2.05	6.89	2.09	7.06	2.10	7.57	2.15	7.91	2.18
	35	6.54	1.90	6.89	1.93	7.23	1.96	7.40	1.98	7.91	2.02	8.25	2.05
	32	6.75	1.84	7.10	1.87	7.44	1.91	7.61	1.92	8.12	1.97	8.46	1.99
	25	7.24	1.68	7.58	1.70	7.92	1.75	8.09	1.75	8.60	1.81	8.95	1.83
	22	7.44	1.61	7.79	1.63	8.13	1.68	8.30	1.68	8.80	1.75	9.15	1.76
22 + 16 + 10	46	5.87	2.19	6.21	2.22	6.56	2.25	6.74	2.27	7.25	2.32	7.60	2.35
	43	6.08	2.12	6.42	2.15	6.77	2.18	6.94	2.20	7.46	2.25	7.81	2.28
	40	6.29	2.05	6.63	2.08	6.98	2.12	7.15	2.13	7.67	2.18	8.02	2.21
	35	6.63	1.92	6.98	1.95	7.33	1.98	7.50	2.00	8.02	2.05	8.36	2.08
	32	6.85	1.87	7.19	1.89	7.54	1.93	7.71	1.94	8.23	2.00	8.58	2.02
	25	7.33	1.70	7.68	1.72	8.03	1.77	8.20	1.78	8.71	1.84	9.07	1.85
	22	7.54	1.63	7.89	1.65	8.24	1.71	8.41	1.70	8.92	1.77	9.28	1.78
24 + 16 + 10	46	5.87	2.19	6.21	2.22	6.56	2.25	6.74	2.27	7.25	2.32	7.60	2.35
	43	6.08	2.12	6.42	2.15	6.77	2.18	6.94	2.20	7.46	2.25	7.81	2.28
	40	6.29	2.05	6.63	2.08	6.98	2.12	7.15	2.13	7.67	2.18	8.02	2.21
	35	6.63	1.92	6.98	1.95	7.33	1.98	7.50	2.00	8.02	2.05	8.36	2.08
	32	6.85	1.87	7.19	1.89	7.54	1.93	7.71	1.94	8.23	2.00	8.58	2.02
	25	7.33	1.70	7.68	1.72	8.03	1.77	8.20	1.78	8.71	1.84	9.07	1.85
	22	7.54	1.63	7.89	1.65	8.24	1.71	8.41	1.70	8.92	1.77	9.28	1.78
13 + 13 + 13	46	5.79	2.16	6.13	2.19	6.47	2.22	6.65	2.24	7.16	2.29	7.50	2.32
	43	6.00	2.10	6.34	2.12	6.68	2.16	6.85	2.17	7.36	2.22	7.71	2.25
	40	6.20	2.03	6.54	2.05	6.89	2.09	7.06	2.10	7.57	2.15	7.91	2.18
	35	6.54	1.90	6.89	1.93	7.23	1.96	7.40	1.98	7.91	2.02	8.25	2.05
	32	6.75	1.84	7.10	1.87	7.44	1.91	7.61	1.92	8.12	1.97	8.46	1.99
	25	7.24	1.68	7.58	1.70	7.92	1.75	8.09	1.75	8.60	1.81	8.95	1.83
	22	7.44	1.61	7.79	1.63	8.13	1.68	8.30	1.68	8.80	1.75	9.15	1.76
16 + 13 + 13	46	5.79	2.16	6.13	2.19	6.47	2.22	6.65	2.24	7.16	2.29	7.50	2.32
	43	6.00	2.10	6.34	2.12	6.68	2.16	6.85	2.17	7.36	2.22	7.71	2.25
	40	6.20	2.03	6.54	2.05	6.89	2.09	7.06	2.10	7.57	2.15	7.91	2.18
	35	6.54	1.90	6.89	1.93	7.23	1.96	7.40	1.98	7.91	2.02	8.25	2.05
	32	6.75	1.84	7.10	1.87	7.44	1.91	7.61	1.92	8.12	1.97	8.46	1.99
	25	7.24	1.68	7.58	1.70	7.92	1.75	8.09	1.75	8.60	1.81	8.95	1.83
	22	7.44	1.61	7.79	1.63	8.13	1.68	8.30	1.68	8.80	1.75	9.15	1.76
18 + 13 + 13	46	5.79	2.16	6.13	2.19	6.47	2.22	6.65	2.24	7.16	2.29	7.50	2.32
	43	6.00	2.10	6.34	2.12	6.68	2.16	6.85	2.17	7.36	2.22	7.71	2.25
	40	6.20	2.03	6.54	2.05	6.89	2.09	7.06	2.10	7.57	2.15	7.91	2.18
	35	6.54	1.90	6.89	1.93	7.23	1.96	7.40	1.98	7.91	2.02	8.25	2.05
	32	6.75	1.84	7.10	1.87	7.44	1.91	7.61	1.92	8.12	1.97	8.46	1.99
	25	7.24	1.68	7.58	1.70	7.92	1.75	8.09	1.75	8.60	1.81	8.95	1.83
	22	7.44	1.61	7.79	1.63	8.13	1.68	8.30	1.68	8.80	1.75	9.15	1.76
22 + 13 + 13	46	5.87	2.19	6.21	2.22	6.56	2.25	6.74	2.27	7.25	2.32	7.60	2.35
	43	6.08	2.12	6.42	2.15	6.77	2.18	6.94	2.20	7.46	2.25	7.81	2.28
	40	6.29	2.05	6.63	2.08	6.98	2.12	7.15	2.13	7.67	2.18	8.02	2.21
	35	6.63	1.92	6.98	1.95	7.33	1.98	7.50	2.00	8.02	2.05	8.36	2.08
	32	6.85	1.87	7.19	1.89	7.54	1.93	7.71	1.94	8.23	2.00	8.58	2.02
	25	7.33	1.70	7.68	1.72	8.03	1.77	8.20	1.78	8.71	1.84	9.07	1.85
	22	7.54	1.63	7.89	1.65	8.24	1.71	8.41	1.70	8.92	1.77	9.28	1.78
24 + 13 + 13	46	5.87	2.19	6.21	2.22	6.56	2.25	6.74	2.27	7.25	2.32	7.60	2.35
	43	6.08	2.12	6.42	2.15	6.77	2.18	6.94	2.20	7.46	2.25	7.81	2.28
	40	6.29	2.05	6.63	2.08	6.98	2.12	7.15	2.13	7.67	2.18	8.02	2.21
	35	6.63	1.92	6.98	1.95	7.33	1.98	7.50	2.00	8.02	2.05	8.36	2.08
	32	6.85	1.87	7.19	1.89	7.54	1.93	7.71	1.94	8.23	2.00	8.58	2.02
	25	7.33	1.70	7.68	1.72	8.03	1.77	8.20	1.78	8.71	1.84	9.07	1.85
	22	7.54	1.63	7.89	1.65	8.24	1.71	8.41	1.70	8.92	1.77	9.28	1.78

Cooling

3 - rooms multisplit : 3 - units operation

Indoor units : 16 type + 16 type + 13 type 16 type + 16 type + 16 type
 18 type + 16 type + 13 type 18 type + 16 type + 16 type
 22 type + 16 type + 13 type 22 type + 16 type + 16 type
 24 type + 16 type + 13 type

TC : Total capacity [kW]
 PI : Power input [kW]

Outdoor unit : RAS-3M26U2AVG-E

Combination (Capacity)	Outdoor air temp. [°C DB]	Indoor air temp. [°C WB]											
		14		16		18		19		22		24	
		TC [kW]	PI [kW]	TC [kW]	PI [kW]	TC [kW]	PI [kW]	TC [kW]	PI [kW]	TC [kW]	PI [kW]	TC [kW]	PI [kW]
16 + 16 + 13	46	5.87	2.19	6.21	2.22	6.56	2.25	6.74	2.27	7.25	2.32	7.60	2.35
	43	6.08	2.12	6.42	2.15	6.77	2.18	6.94	2.20	7.46	2.25	7.81	2.28
	40	6.29	2.05	6.63	2.08	6.98	2.12	7.15	2.13	7.67	2.18	8.02	2.21
	35	6.63	1.92	6.98	1.95	7.33	1.98	7.50	2.00	8.02	2.05	8.36	2.08
	32	6.85	1.87	7.19	1.89	7.54	1.93	7.71	1.94	8.23	2.00	8.58	2.02
	25	7.33	1.70	7.68	1.72	8.03	1.77	8.20	1.78	8.71	1.84	9.07	1.85
	22	7.54	1.63	7.89	1.65	8.24	1.71	8.41	1.70	8.92	1.77	9.28	1.78
18 + 16 + 13	46	5.87	2.19	6.21	2.22	6.56	2.25	6.74	2.27	7.25	2.32	7.60	2.35
	43	6.08	2.12	6.42	2.15	6.77	2.18	6.94	2.20	7.46	2.25	7.81	2.28
	40	6.29	2.05	6.63	2.08	6.98	2.12	7.15	2.13	7.67	2.18	8.02	2.21
	35	6.63	1.92	6.98	1.95	7.33	1.98	7.50	2.00	8.02	2.05	8.36	2.08
	32	6.85	1.87	7.19	1.89	7.54	1.93	7.71	1.94	8.23	2.00	8.58	2.02
	25	7.33	1.70	7.68	1.72	8.03	1.77	8.20	1.78	8.71	1.84	9.07	1.85
	22	7.54	1.63	7.89	1.65	8.24	1.71	8.41	1.70	8.92	1.77	9.28	1.78
22 + 16 + 13	46	5.87	2.19	6.21	2.22	6.56	2.25	6.74	2.27	7.25	2.32	7.60	2.35
	43	6.08	2.12	6.42	2.15	6.77	2.18	6.94	2.20	7.46	2.25	7.81	2.28
	40	6.29	2.05	6.63	2.08	6.98	2.12	7.15	2.13	7.67	2.18	8.02	2.21
	35	6.63	1.92	6.98	1.95	7.33	1.98	7.50	2.00	8.02	2.05	8.36	2.08
	32	6.85	1.87	7.19	1.89	7.54	1.93	7.71	1.94	8.23	2.00	8.58	2.02
	25	7.33	1.70	7.68	1.72	8.03	1.77	8.20	1.78	8.71	1.84	9.07	1.85
	22	7.54	1.63	7.89	1.65	8.24	1.71	8.41	1.70	8.92	1.77	9.28	1.78
24 + 16 + 13	46	5.87	2.19	6.21	2.22	6.56	2.25	6.74	2.27	7.25	2.32	7.60	2.35
	43	6.08	2.12	6.42	2.15	6.77	2.18	6.94	2.20	7.46	2.25	7.81	2.28
	40	6.29	2.05	6.63	2.08	6.98	2.12	7.15	2.13	7.67	2.18	8.02	2.21
	35	6.63	1.92	6.98	1.95	7.33	1.98	7.50	2.00	8.02	2.05	8.36	2.08
	32	6.85	1.87	7.19	1.89	7.54	1.93	7.71	1.94	8.23	2.00	8.58	2.02
	25	7.33	1.70	7.68	1.72	8.03	1.77	8.20	1.78	8.71	1.84	9.07	1.85
	22	7.54	1.63	7.89	1.65	8.24	1.71	8.41	1.70	8.92	1.77	9.28	1.78
16 + 16 + 16	46	5.87	2.19	6.21	2.22	6.56	2.25	6.74	2.27	7.25	2.32	7.60	2.35
	43	6.08	2.12	6.42	2.15	6.77	2.18	6.94	2.20	7.46	2.25	7.81	2.28
	40	6.29	2.05	6.63	2.08	6.98	2.12	7.15	2.13	7.67	2.18	8.02	2.21
	35	6.63	1.92	6.98	1.95	7.33	1.98	7.50	2.00	8.02	2.05	8.36	2.08
	32	6.85	1.87	7.19	1.89	7.54	1.93	7.71	1.94	8.23	2.00	8.58	2.02
	25	7.33	1.70	7.68	1.72	8.03	1.77	8.20	1.78	8.71	1.84	9.07	1.85
	22	7.54	1.63	7.89	1.65	8.24	1.71	8.41	1.70	8.92	1.77	9.28	1.78
18 + 16 + 16	46	5.87	2.19	6.21	2.22	6.56	2.25	6.74	2.27	7.25	2.32	7.60	2.35
	43	6.08	2.12	6.42	2.15	6.77	2.18	6.94	2.20	7.46	2.25	7.81	2.28
	40	6.29	2.05	6.63	2.08	6.98	2.12	7.15	2.13	7.67	2.18	8.02	2.21
	35	6.63	1.92	6.98	1.95	7.33	1.98	7.50	2.00	8.02	2.05	8.36	2.08
	32	6.85	1.87	7.19	1.89	7.54	1.93	7.71	1.94	8.23	2.00	8.58	2.02
	25	7.33	1.70	7.68	1.72	8.03	1.77	8.20	1.78	8.71	1.84	9.07	1.85
	22	7.54	1.63	7.89	1.65	8.24	1.71	8.41	1.70	8.92	1.77	9.28	1.78
22 + 16 + 16	46	5.87	2.19	6.21	2.22	6.56	2.25	6.74	2.27	7.25	2.32	7.60	2.35
	43	6.08	2.12	6.42	2.15	6.77	2.18	6.94	2.20	7.46	2.25	7.81	2.28
	40	6.29	2.05	6.63	2.08	6.98	2.12	7.15	2.13	7.67	2.18	8.02	2.21
	35	6.63	1.92	6.98	1.95	7.33	1.98	7.50	2.00	8.02	2.05	8.36	2.08
	32	6.85	1.87	7.19	1.89	7.54	1.93	7.71	1.94	8.23	2.00	8.58	2.02
	25	7.33	1.70	7.68	1.72	8.03	1.77	8.20	1.78	8.71	1.84	9.07	1.85
	22	7.54	1.63	7.89	1.65	8.24	1.71	8.41	1.70	8.92	1.77	9.28	1.78

Heating

3 - rooms multisplit : 1 - unit operation

Indoor units : 05 type 16 type
 07 type 18 type
 10 type 22 type
 13 type 24 type

TC : Total capacity [kW]

PI : Power input [kW]

Outdoor unit : RAS-3M26U2AVG-E

Combination (Capacity)	Outdoor air temp. [°C WB]	Indoor air temp. [°C DB]											
		16		18		20		21		22		24	
		TC [kW]	PI [kW]	TC [kW]	PI [kW]	TC [kW]	PI [kW]	TC [kW]	PI [kW]	TC [kW]	PI [kW]	TC [kW]	PI [kW]
05	15	2.46	0.63	2.43	0.64	2.41	0.65	2.39	0.65	2.38	0.65	2.35	0.65
	10	2.24	0.61	2.21	0.61	2.18	0.62	2.17	0.62	2.15	0.62	2.12	0.63
	6	2.06	0.59	2.03	0.59	2.00	0.60	1.99	0.60	1.97	0.60	1.94	0.61
	0	1.78	0.56	1.76	0.57	1.73	0.57	1.72	0.57	1.70	0.57	1.67	0.58
	-5	1.56	0.54	1.53	0.54	1.50	0.55	1.49	0.55	1.48	0.55	1.45	0.55
	-10	1.33	0.51	1.31	0.52	1.28	0.52	1.26	0.52	1.25	0.52	1.22	0.53
	-15	1.11	0.49	1.08	0.49	1.05	0.50	1.04	0.50	1.02	0.50	1.00	0.50
07	15	3.32	0.95	3.29	0.96	3.25	0.97	3.23	0.97	3.21	0.97	3.17	0.98
	10	3.02	0.92	2.98	0.92	2.94	0.93	2.92	0.93	2.91	0.93	2.87	0.94
	6	2.77	0.89	2.74	0.89	2.70	0.90	2.68	0.90	2.66	0.90	2.62	0.91
	0	2.41	0.84	2.37	0.85	2.33	0.86	2.32	0.86	2.30	0.86	2.26	0.86
	-5	2.10	0.81	2.07	0.81	2.03	0.82	2.01	0.82	1.99	0.82	1.96	0.83
	-10	1.80	0.77	1.76	0.77	1.73	0.78	1.71	0.78	1.69	0.78	1.65	0.79
	-15	1.49	0.73	1.46	0.74	1.42	0.74	1.40	0.75	1.38	0.75	1.35	0.75
10	15	4.92	1.53	4.87	1.54	4.81	1.56	4.79	1.56	4.76	1.56	4.70	1.57
	10	4.47	1.47	4.42	1.48	4.36	1.50	4.33	1.50	4.31	1.50	4.25	1.51
	6	4.11	1.43	4.05	1.44	4.00	1.45	3.97	1.45	3.94	1.45	3.89	1.46
	0	3.57	1.36	3.51	1.37	3.46	1.38	3.43	1.38	3.40	1.38	3.35	1.39
	-5	3.12	1.30	3.06	1.31	3.01	1.32	2.98	1.32	2.95	1.32	2.90	1.33
	-10	2.67	1.24	2.61	1.25	2.56	1.26	2.53	1.26	2.50	1.26	2.44	1.27
	-15	2.21	1.18	2.16	1.19	2.10	1.20	2.08	1.20	2.05	1.20	1.99	1.21
13	15	6.15	2.17	6.09	2.18	6.02	2.20	5.98	2.21	5.95	2.21	5.88	2.22
	10	5.59	2.08	5.52	2.10	5.45	2.12	5.42	2.13	5.38	2.13	5.31	2.14
	6	5.14	2.02	5.07	2.03	5.00	2.05	4.96	2.06	4.93	2.06	4.86	2.07
	0	4.46	1.92	4.39	1.93	4.32	1.95	4.29	1.96	4.26	1.96	4.19	1.97
	-5	3.90	1.83	3.83	1.85	3.76	1.87	3.73	1.87	3.69	1.87	3.62	1.88
	-10	3.33	1.75	3.26	1.76	3.19	1.78	3.16	1.79	3.12	1.79	3.06	1.80
	-15	2.77	1.67	2.70	1.68	2.63	1.70	2.60	1.70	2.56	1.70	2.49	1.71
16	15	6.77	2.54	6.69	2.56	6.62	2.58	6.58	2.59	6.54	2.59	6.47	2.60
	10	6.15	2.44	6.07	2.46	6.00	2.48	5.96	2.49	5.92	2.49	5.84	2.50
	6	5.65	2.36	5.58	2.38	5.50	2.40	5.46	2.41	5.42	2.41	5.35	2.42
	0	4.91	2.25	4.83	2.26	4.76	2.28	4.72	2.29	4.68	2.29	4.60	2.30
	-5	4.29	2.15	4.21	2.16	4.13	2.18	4.10	2.19	4.06	2.19	3.98	2.20
	-10	3.67	2.05	3.59	2.06	3.51	2.08	3.48	2.09	3.44	2.09	3.36	2.10
	-15	3.05	1.95	2.97	1.97	2.89	1.99	2.86	1.99	2.82	1.99	2.74	2.00
18	15	7.38	2.78	7.30	2.80	7.22	2.83	7.18	2.84	7.14	2.84	7.05	2.85
	10	6.71	2.67	6.62	2.69	6.54	2.72	6.50	2.73	6.46	2.73	6.37	2.74
	6	6.17	2.59	6.08	2.60	6.00	2.63	5.96	2.64	5.92	2.64	5.83	2.65
	0	5.35	2.46	5.27	2.48	5.19	2.50	5.15	2.51	5.11	2.51	5.02	2.52
	-5	4.68	2.35	4.59	2.37	4.51	2.39	4.47	2.40	4.43	2.40	4.35	2.41
	-10	4.00	2.25	3.92	2.26	3.83	2.28	3.79	2.29	3.75	2.29	3.67	2.31
	-15	3.32	2.14	3.24	2.15	3.16	2.18	3.11	2.18	3.07	2.18	2.99	2.20
22	15	8.62	2.77	8.52	2.79	8.42	2.82	8.37	2.83	8.33	2.83	8.23	2.84
	10	7.82	2.66	7.73	2.68	7.63	2.71	7.58	2.72	7.53	2.72	7.44	2.73
	6	7.19	2.58	7.10	2.59	7.00	2.62	6.95	2.63	6.90	2.63	6.81	2.64
	0	6.25	2.45	6.15	2.47	6.05	2.49	6.01	2.50	5.96	2.50	5.86	2.52
	-5	5.46	2.34	5.36	2.36	5.26	2.38	5.22	2.39	5.17	2.39	5.07	2.41
	-10	4.67	2.24	4.57	2.25	4.47	2.28	4.42	2.28	4.37	2.28	4.28	2.30
	-15	3.88	2.13	3.78	2.15	3.68	2.17	3.63	2.17	3.59	2.17	3.49	2.19
24	15	9.97	3.26	9.86	3.28	9.74	3.31	9.69	3.32	9.63	3.32	9.52	3.34
	10	9.05	3.13	8.94	3.15	8.83	3.18	8.77	3.19	8.72	3.19	8.61	3.21
	6	8.32	3.03	8.21	3.05	8.10	3.08	8.04	3.09	7.99	3.09	7.87	3.11
	0	7.23	2.88	7.12	2.90	7.00	2.93	6.95	2.94	6.89	2.94	6.78	2.96
	-5	6.31	2.76	6.20	2.77	6.09	2.80	6.04	2.81	5.98	2.81	5.87	2.83
	-10	5.40	2.63	5.29	2.65	5.18	2.67	5.12	2.68	5.06	2.68	4.95	2.70
	-15	4.48	2.51	4.37	2.52	4.26	2.55	4.20	2.55	4.15	2.55	4.04	2.57

Heating

3 - rooms multisplit : 2 - units operation

Indoor units : 05 type + 05 type 16 type + 05 type
 07 type + 05 type 18 type + 05 type
 10 type + 05 type 22 type + 05 type
 13 type + 05 type 24 type + 05 type

TC : Total capacity [kW]
 PI : Power input [kW]

Outdoor unit : RAS-3M26U2AVG-E

Combination (Capacity)	Outdoor air temp. [°C WB]	Indoor air temp. [°C DB]											
		16		18		20		21		22		24	
		TC [kW]	PI [kW]	TC [kW]	PI [kW]	TC [kW]	PI [kW]	TC [kW]	PI [kW]	TC [kW]	PI [kW]	TC [kW]	PI [kW]
05 + 05	15	4.92	0.90	4.87	0.90	4.81	0.91	4.79	0.92	4.76	0.92	4.70	0.92
	10	4.47	0.86	4.42	0.87	4.36	0.88	4.33	0.88	4.31	0.88	4.25	0.89
	6	4.11	0.84	4.05	0.84	4.00	0.85	3.97	0.85	3.94	0.85	3.89	0.86
	0	3.57	0.80	3.51	0.80	3.46	0.81	3.43	0.81	3.40	0.81	3.35	0.82
	-5	3.12	0.76	3.06	0.77	3.01	0.77	2.98	0.78	2.95	0.78	2.90	0.78
	-10	2.67	0.73	2.61	0.73	2.56	0.74	2.53	0.74	2.50	0.74	2.44	0.74
	-15	2.21	0.69	2.16	0.70	2.10	0.70	2.08	0.71	2.05	0.71	1.99	0.71
07 + 05	15	5.78	1.11	5.72	1.12	5.65	1.13	5.62	1.13	5.59	1.13	5.53	1.14
	10	5.25	1.07	5.19	1.07	5.12	1.09	5.09	1.09	5.06	1.09	4.99	1.10
	6	4.83	1.03	4.76	1.04	4.70	1.05	4.67	1.05	4.63	1.05	4.57	1.06
	0	4.19	0.98	4.13	0.99	4.06	1.00	4.03	1.00	4.00	1.00	3.93	1.01
	-5	3.66	0.94	3.60	0.95	3.53	0.96	3.50	0.96	3.47	0.96	3.40	0.96
	-10	3.13	0.90	3.07	0.90	3.00	0.91	2.97	0.91	2.94	0.91	2.87	0.92
	-15	2.60	0.85	2.54	0.86	2.47	0.87	2.44	0.87	2.41	0.87	2.34	0.88
10 + 05	15	7.38	1.43	7.30	1.44	7.22	1.45	7.18	1.46	7.14	1.46	7.05	1.47
	10	6.71	1.37	6.62	1.38	6.54	1.40	6.50	1.40	6.46	1.40	6.37	1.41
	6	6.17	1.33	6.08	1.34	6.00	1.35	5.96	1.35	5.92	1.35	5.83	1.36
	0	5.35	1.26	5.27	1.27	5.19	1.28	5.15	1.29	5.11	1.29	5.02	1.30
	-5	4.68	1.21	4.59	1.22	4.51	1.23	4.47	1.23	4.43	1.23	4.35	1.24
	-10	4.00	1.15	3.92	1.16	3.83	1.17	3.79	1.18	3.75	1.18	3.67	1.18
	-15	3.32	1.10	3.24	1.11	3.16	1.12	3.11	1.12	3.07	1.12	2.99	1.13
13 + 05	15	8.62	1.65	8.52	1.66	8.42	1.68	8.37	1.68	8.33	1.68	8.23	1.69
	10	7.82	1.59	7.73	1.60	7.63	1.61	7.58	1.62	7.53	1.62	7.44	1.63
	6	7.19	1.53	7.10	1.54	7.00	1.56	6.95	1.56	6.90	1.56	6.81	1.57
	0	6.25	1.46	6.15	1.47	6.05	1.48	6.01	1.49	5.96	1.49	5.86	1.50
	-5	5.46	1.40	5.36	1.41	5.26	1.42	5.22	1.42	5.17	1.42	5.07	1.43
	-10	4.67	1.33	4.57	1.34	4.47	1.35	4.42	1.36	4.37	1.36	4.28	1.37
	-15	3.88	1.27	3.78	1.28	3.68	1.29	3.63	1.29	3.59	1.29	3.49	1.30
16 + 05	15	9.23	1.80	9.13	1.81	9.02	1.83	8.97	1.83	8.92	1.83	8.82	1.84
	10	8.38	1.73	8.28	1.74	8.18	1.76	8.12	1.76	8.07	1.76	7.97	1.77
	6	7.71	1.67	7.60	1.68	7.50	1.70	7.45	1.70	7.39	1.70	7.29	1.72
	0	6.69	1.59	6.59	1.60	6.48	1.62	6.43	1.62	6.38	1.62	6.28	1.63
	-5	5.85	1.52	5.74	1.53	5.64	1.55	5.59	1.55	5.54	1.55	5.43	1.56
	-10	5.00	1.45	4.90	1.46	4.79	1.48	4.74	1.48	4.69	1.48	4.58	1.49
	-15	4.15	1.38	4.05	1.39	3.95	1.41	3.89	1.41	3.84	1.41	3.74	1.42
18 + 05	15	9.35	1.96	9.25	1.97	9.14	1.99	9.09	1.99	9.04	1.99	8.94	2.01
	10	8.50	1.88	8.39	1.89	8.29	1.91	8.23	1.92	8.18	1.92	8.07	1.93
	6	7.81	1.82	7.70	1.83	7.60	1.85	7.55	1.86	7.49	1.86	7.39	1.87
	0	6.78	1.73	6.68	1.74	6.57	1.76	6.52	1.76	6.47	1.76	6.36	1.78
	-5	5.92	1.66	5.82	1.67	5.71	1.68	5.66	1.69	5.61	1.69	5.51	1.70
	-10	5.07	1.58	4.96	1.59	4.86	1.61	4.80	1.61	4.75	1.61	4.64	1.62
	-15	4.21	1.51	4.10	1.51	4.00	1.53	3.95	1.53	3.89	1.53	3.79	1.54
22 + 05	15	9.48	2.09	9.37	2.11	9.26	2.13	9.21	2.14	9.16	2.14	9.05	2.15
	10	8.61	2.01	8.50	2.03	8.40	2.05	8.34	2.05	8.29	2.05	8.18	2.07
	6	7.91	1.95	7.81	1.96	7.70	1.98	7.65	1.99	7.59	1.99	7.49	2.00
	0	6.87	1.85	6.76	1.86	6.66	1.88	6.61	1.89	6.55	1.89	6.45	1.90
	-5	6.00	1.77	5.90	1.78	5.79	1.80	5.74	1.81	5.68	1.81	5.58	1.82
	-10	5.13	1.69	5.03	1.70	4.92	1.72	4.87	1.72	4.81	1.72	4.71	1.74
	-15	4.26	1.61	4.16	1.62	4.05	1.64	4.00	1.64	3.94	1.64	3.84	1.65
24 + 05	15	9.72	2.09	9.61	2.11	9.50	2.13	9.45	2.14	9.40	2.14	9.29	2.15
	10	8.83	2.01	8.72	2.03	8.61	2.05	8.56	2.05	8.50	2.05	8.39	2.07
	6	8.12	1.95	8.01	1.96	7.90	1.98	7.84	1.99	7.79	1.99	7.68	2.00
	0	7.05	1.85	6.94	1.86	6.83	1.88	6.78	1.89	6.72	1.89	6.61	1.90
	-5	6.16	1.77	6.05	1.78	5.94	1.80	5.89	1.81	5.83	1.81	5.72	1.82
	-10	5.27	1.69	5.16	1.70	5.05	1.72	4.99	1.72	4.94	1.72	4.83	1.74
	-15	4.37	1.61	4.26	1.62	4.16	1.64	4.10	1.64	4.05	1.64	3.94	1.65

Heating

3 - rooms multisplit : 2 - units operation

Indoor units : 07 type + 07 type 18 type + 07 type
 10 type + 07 type 22 type + 07 type
 13 type + 07 type 24 type + 07 type
 16 type + 07 type 10 type + 10 type

TC : Total capacity [kW]

PI : Power input [kW]

Outdoor unit : RAS-3M26U2AVG-E

Combination (Capacity)	Outdoor air temp. [°C WB]	Indoor air temp. [°C DB]											
		16		18		20		21		22		24	
		TC [kW]	PI [kW]	TC [kW]	PI [kW]	TC [kW]	PI [kW]	TC [kW]	PI [kW]	TC [kW]	PI [kW]	TC [kW]	PI [kW]
07 + 07	15	6.65	1.48	6.57	1.49	6.50	1.51	6.46	1.51	6.42	1.51	6.35	1.52
	10	6.04	1.42	5.96	1.43	5.89	1.45	5.85	1.45	5.81	1.45	5.74	1.46
	6	5.55	1.38	5.47	1.39	5.40	1.40	5.36	1.40	5.32	1.40	5.25	1.41
	0	4.82	1.31	4.74	1.32	4.67	1.33	4.63	1.34	4.60	1.34	4.52	1.34
	-5	4.21	1.25	4.14	1.26	4.06	1.27	4.02	1.28	3.99	1.28	3.91	1.29
	-10	3.60	1.20	3.52	1.20	3.45	1.22	3.41	1.22	3.37	1.22	3.30	1.23
	-15	2.99	1.14	2.92	1.15	2.84	1.16	2.80	1.16	2.77	1.16	2.69	1.17
10 + 07	15	8.25	2.06	8.15	2.08	8.06	2.10	8.02	2.10	7.97	2.10	7.88	2.12
	10	7.49	1.98	7.40	2.00	7.30	2.02	7.26	2.02	7.21	2.02	7.12	2.03
	6	6.88	1.92	6.79	1.93	6.70	1.95	6.65	1.96	6.61	1.96	6.51	1.97
	0	5.98	1.82	5.89	1.84	5.79	1.85	5.75	1.86	5.70	1.86	5.61	1.87
	-5	5.22	1.75	5.13	1.76	5.04	1.77	4.99	1.78	4.95	1.78	4.85	1.79
	-10	4.47	1.67	4.37	1.68	4.28	1.69	4.23	1.70	4.19	1.70	4.09	1.71
13 + 07	15	9.11	2.43	9.01	2.45	8.90	2.47	8.85	2.48	8.80	2.48	8.70	2.50
	10	8.27	2.34	8.17	2.35	8.07	2.38	8.02	2.38	7.96	2.38	7.86	2.40
	6	7.60	2.26	7.50	2.28	7.40	2.30	7.35	2.31	7.30	2.31	7.19	2.32
	0	6.60	2.15	6.50	2.17	6.40	2.19	6.35	2.19	6.30	2.19	6.20	2.21
	-5	5.77	2.06	5.67	2.07	5.56	2.09	5.51	2.10	5.46	2.10	5.36	2.11
	-10	4.93	1.96	4.83	1.98	4.73	2.00	4.68	2.00	4.62	2.00	4.52	2.02
16 + 07	15	9.35	2.43	9.25	2.45	9.14	2.47	9.09	2.48	9.04	2.48	8.94	2.50
	10	8.50	2.34	8.39	2.35	8.29	2.38	8.23	2.38	8.18	2.38	8.07	2.40
	6	7.81	2.26	7.70	2.28	7.60	2.30	7.55	2.31	7.49	2.31	7.39	2.32
	0	6.78	2.15	6.68	2.17	6.57	2.19	6.52	2.19	6.47	2.19	6.36	2.21
	-5	5.92	2.06	5.82	2.07	5.71	2.09	5.66	2.10	5.61	2.10	5.51	2.11
	-10	5.07	1.96	4.96	1.98	4.86	2.00	4.80	2.00	4.75	2.00	4.64	2.02
18 + 07	15	9.72	2.59	9.61	2.61	9.50	2.63	9.45	2.64	9.40	2.64	9.29	2.66
	10	8.83	2.49	8.72	2.51	8.61	2.53	8.56	2.54	8.50	2.54	8.39	2.56
	6	8.12	2.41	8.01	2.43	7.90	2.45	7.84	2.46	7.79	2.46	7.68	2.47
	0	7.05	2.29	6.94	2.31	6.83	2.33	6.78	2.34	6.72	2.34	6.61	2.35
	-5	6.16	2.19	6.05	2.21	5.94	2.23	5.89	2.24	5.83	2.24	5.72	2.25
	-10	5.27	2.09	5.16	2.11	5.05	2.13	4.99	2.13	4.94	2.13	4.83	2.15
22 + 07	15	9.72	2.59	9.61	2.61	9.50	2.63	9.45	2.64	9.40	2.64	9.29	2.66
	10	8.83	2.49	8.72	2.51	8.61	2.53	8.56	2.54	8.50	2.54	8.39	2.56
	6	8.12	2.41	8.01	2.43	7.90	2.45	7.84	2.46	7.79	2.46	7.68	2.47
	0	7.05	2.29	6.94	2.31	6.83	2.33	6.78	2.34	6.72	2.34	6.61	2.35
	-5	6.16	2.19	6.05	2.21	5.94	2.23	5.89	2.24	5.83	2.24	5.72	2.25
	-10	5.27	2.09	5.16	2.11	5.05	2.13	4.99	2.13	4.94	2.13	4.83	2.15
24 + 07	15	10.22	2.64	10.10	2.66	9.99	2.69	9.93	2.70	9.87	2.70	9.76	2.71
	10	9.28	2.54	9.16	2.56	9.05	2.58	8.99	2.59	8.93	2.59	8.82	2.61
	6	8.53	2.46	8.41	2.48	8.30	2.50	8.24	2.51	8.18	2.51	8.07	2.52
	0	7.41	2.34	7.29	2.35	7.18	2.38	7.12	2.38	7.06	2.38	6.95	2.40
	-5	6.47	2.24	6.36	2.25	6.24	2.27	6.18	2.28	6.13	2.28	6.01	2.30
	-10	5.53	2.14	5.42	2.15	5.30	2.17	5.24	2.18	5.19	2.18	5.07	2.19
10 + 10	15	8.86	2.33	8.76	2.34	8.66	2.37	8.61	2.37	8.56	2.37	8.47	2.39
	10	8.05	2.24	7.95	2.25	7.85	2.27	7.80	2.28	7.75	2.28	7.65	2.30
	6	7.40	2.16	7.30	2.18	7.20	2.20	7.15	2.21	7.10	2.21	7.00	2.22
	0	6.42	2.06	6.33	2.07	6.23	2.09	6.18	2.10	6.13	2.10	6.03	2.11
	-5	5.61	1.97	5.51	1.98	5.41	2.00	5.36	2.01	5.32	2.01	5.22	2.02
	-10	4.80	1.88	4.70	1.89	4.60	1.91	4.55	1.92	4.50	1.92	4.40	1.93
	-15	3.99	1.79	3.89	1.80	3.79	1.82	3.74	1.82	3.69	1.82	3.59	1.84

Heating

3 - rooms multisplit : 2 - units operation

Indoor units : 13 type + 10 type 24 type + 10 type
 16 type + 10 type 13 type + 13 type
 18 type + 10 type 16 type + 13 type
 22 type + 10 type 18 type + 13 type

TC : Total capacity [kW]

PI : Power input [kW]

Outdoor unit : RAS-3M26U2AVG-E

Combination (Capacity)	Outdoor air temp. [°C WB]	Indoor air temp. [°C DB]											
		16		18		20		21		22		24	
		TC [kW]	PI [kW]	TC [kW]	PI [kW]	TC [kW]	PI [kW]	TC [kW]	PI [kW]	TC [kW]	PI [kW]	TC [kW]	PI [kW]
13 + 10	15	9.35	2.43	9.25	2.45	9.14	2.47	9.09	2.48	9.04	2.48	8.94	2.50
	10	8.50	2.34	8.39	2.35	8.29	2.38	8.23	2.38	8.18	2.38	8.07	2.40
	6	7.81	2.26	7.70	2.28	7.60	2.30	7.55	2.31	7.49	2.31	7.39	2.32
	0	6.78	2.15	6.68	2.17	6.57	2.19	6.52	2.19	6.47	2.19	6.36	2.21
	-5	5.92	2.06	5.82	2.07	5.71	2.09	5.66	2.10	5.61	2.10	5.51	2.11
	-10	5.07	1.96	4.96	1.98	4.86	2.00	4.80	2.00	4.75	2.00	4.64	2.02
16 + 10	15	9.72	2.59	9.61	2.61	9.50	2.63	9.45	2.64	9.40	2.64	9.29	2.66
	10	8.83	2.49	8.72	2.51	8.61	2.53	8.56	2.54	8.50	2.54	8.39	2.56
	6	8.12	2.41	8.01	2.43	7.90	2.45	7.84	2.46	7.79	2.46	7.68	2.47
	0	7.05	2.29	6.94	2.31	6.83	2.33	6.78	2.34	6.72	2.34	6.61	2.35
	-5	6.16	2.19	6.05	2.21	5.94	2.23	5.89	2.24	5.83	2.24	5.72	2.25
	-10	5.27	2.09	5.16	2.11	5.05	2.13	4.99	2.13	4.94	2.13	4.83	2.15
18 + 10	15	9.72	2.59	9.61	2.61	9.50	2.63	9.45	2.64	9.40	2.64	9.29	2.66
	10	8.83	2.49	8.72	2.51	8.61	2.53	8.56	2.54	8.50	2.54	8.39	2.56
	6	8.12	2.41	8.01	2.43	7.90	2.45	7.84	2.46	7.79	2.46	7.68	2.47
	0	7.05	2.29	6.94	2.31	6.83	2.33	6.78	2.34	6.72	2.34	6.61	2.35
	-5	6.16	2.19	6.05	2.21	5.94	2.23	5.89	2.24	5.83	2.24	5.72	2.25
	-10	5.27	2.09	5.16	2.11	5.05	2.13	4.99	2.13	4.94	2.13	4.83	2.15
22 + 10	15	10.22	2.64	10.10	2.66	9.99	2.69	9.93	2.70	9.87	2.70	9.76	2.71
	10	9.28	2.54	9.16	2.56	9.05	2.58	8.99	2.59	8.93	2.59	8.82	2.61
	6	8.53	2.46	8.41	2.48	8.30	2.50	8.24	2.51	8.18	2.51	8.07	2.52
	0	7.41	2.34	7.29	2.35	7.18	2.38	7.12	2.38	7.06	2.38	6.95	2.40
	-5	6.47	2.24	6.36	2.25	6.24	2.27	6.18	2.28	6.13	2.28	6.01	2.30
	-10	5.53	2.14	5.42	2.15	5.30	2.17	5.24	2.18	5.19	2.18	5.07	2.19
24 + 10	15	10.58	2.70	10.47	2.71	10.35	2.74	10.29	2.75	10.23	2.75	10.11	2.77
	10	9.61	2.59	9.49	2.61	9.38	2.64	9.32	2.64	9.26	2.64	9.14	2.66
	6	8.84	2.51	8.72	2.52	8.60	2.55	8.54	2.56	8.48	2.56	8.36	2.57
	0	7.67	2.39	7.56	2.40	7.44	2.43	7.38	2.43	7.32	2.43	7.20	2.45
	-5	6.70	2.28	6.59	2.30	6.47	2.32	6.41	2.33	6.35	2.33	6.23	2.34
	-10	5.73	2.18	5.61	2.19	5.50	2.21	5.43	2.22	5.37	2.22	5.26	2.23
13 + 13	15	9.72	2.59	9.61	2.61	9.50	2.63	9.45	2.64	9.40	2.64	9.29	2.66
	10	8.83	2.49	8.72	2.51	8.61	2.53	8.56	2.54	8.50	2.54	8.39	2.56
	6	8.12	2.41	8.01	2.43	7.90	2.45	7.84	2.46	7.79	2.46	7.68	2.47
	0	7.05	2.29	6.94	2.31	6.83	2.33	6.78	2.34	6.72	2.34	6.61	2.35
	-5	6.16	2.19	6.05	2.21	5.94	2.23	5.89	2.24	5.83	2.24	5.72	2.25
	-10	5.27	2.09	5.16	2.11	5.05	2.13	4.99	2.13	4.94	2.13	4.83	2.15
16 + 13	15	9.72	2.59	9.61	2.61	9.50	2.63	9.45	2.64	9.40	2.64	9.29	2.66
	10	8.83	2.49	8.72	2.51	8.61	2.53	8.56	2.54	8.50	2.54	8.39	2.56
	6	8.12	2.41	8.01	2.43	7.90	2.45	7.84	2.46	7.79	2.46	7.68	2.47
	0	7.05	2.29	6.94	2.31	6.83	2.33	6.78	2.34	6.72	2.34	6.61	2.35
	-5	6.16	2.19	6.05	2.21	5.94	2.23	5.89	2.24	5.83	2.24	5.72	2.25
	-10	5.27	2.09	5.16	2.11	5.05	2.13	4.99	2.13	4.94	2.13	4.83	2.15
18 + 13	15	10.22	2.64	10.10	2.66	9.99	2.69	9.93	2.70	9.87	2.70	9.76	2.71
	10	9.28	2.54	9.16	2.56	9.05	2.58	8.99	2.59	8.93	2.59	8.82	2.61
	6	8.53	2.46	8.41	2.48	8.30	2.50	8.24	2.51	8.18	2.51	8.07	2.52
	0	7.41	2.34	7.29	2.35	7.18	2.38	7.12	2.38	7.06	2.38	6.95	2.40
	-5	6.47	2.24	6.36	2.25	6.24	2.27	6.18	2.28	6.13	2.28	6.01	2.30
	-10	5.53	2.14	5.42	2.15	5.30	2.17	5.24	2.18	5.19	2.18	5.07	2.19

Heating

3 - rooms multisplit : 2 - units operation

Indoor units : 22 type + 13 type 22 type + 16 type
 24 type + 13 type 24 type + 16 type
 16 type + 16 type 18 type + 18 type
 18 type + 16 type 22 type + 18 type

TC : Total capacity [kW]

PI : Power input [kW]

Outdoor unit : RAS-3M26U2AVG-E

Combination (Capacity)	Outdoor air temp. [°C WB]	Indoor air temp. [°C DB]											
		16		18		20		21		22		24	
		TC [kW]	PI [kW]	TC [kW]	PI [kW]	TC [kW]	PI [kW]	TC [kW]	PI [kW]	TC [kW]	PI [kW]	TC [kW]	PI [kW]
22 + 13	15	10.58	2.70	10.47	2.71	10.35	2.74	10.29	2.75	10.23	2.75	10.11	2.77
	10	9.61	2.59	9.49	2.61	9.38	2.64	9.32	2.64	9.26	2.64	9.14	2.66
	6	8.84	2.51	8.72	2.52	8.60	2.55	8.54	2.56	8.48	2.56	8.36	2.57
	0	7.67	2.39	7.56	2.40	7.44	2.43	7.38	2.43	7.32	2.43	7.20	2.45
	-5	6.70	2.28	6.59	2.30	6.47	2.32	6.41	2.33	6.35	2.33	6.23	2.34
	-10	5.73	2.18	5.61	2.19	5.50	2.21	5.43	2.22	5.37	2.22	5.26	2.23
	-15	4.76	2.07	4.64	2.09	4.53	2.11	4.46	2.12	4.40	2.12	4.29	2.13
24 + 13	15	10.58	2.70	10.47	2.71	10.35	2.74	10.29	2.75	10.23	2.75	10.11	2.77
	10	9.61	2.59	9.49	2.61	9.38	2.64	9.32	2.64	9.26	2.64	9.14	2.66
	6	8.84	2.51	8.72	2.52	8.60	2.55	8.54	2.56	8.48	2.56	8.36	2.57
	0	7.67	2.39	7.56	2.40	7.44	2.43	7.38	2.43	7.32	2.43	7.20	2.45
	-5	6.70	2.28	6.59	2.30	6.47	2.32	6.41	2.33	6.35	2.33	6.23	2.34
	-10	5.73	2.18	5.61	2.19	5.50	2.21	5.43	2.22	5.37	2.22	5.26	2.23
	-15	4.76	2.07	4.64	2.09	4.53	2.11	4.46	2.12	4.40	2.12	4.29	2.13
16 + 16	15	10.58	2.70	10.47	2.71	10.35	2.74	10.29	2.75	10.23	2.75	10.11	2.77
	10	9.61	2.59	9.49	2.61	9.38	2.64	9.32	2.64	9.26	2.64	9.14	2.66
	6	8.84	2.51	8.72	2.52	8.60	2.55	8.54	2.56	8.48	2.56	8.36	2.57
	0	7.67	2.39	7.56	2.40	7.44	2.43	7.38	2.43	7.32	2.43	7.20	2.45
	-5	6.70	2.28	6.59	2.30	6.47	2.32	6.41	2.33	6.35	2.33	6.23	2.34
	-10	5.73	2.18	5.61	2.19	5.50	2.21	5.43	2.22	5.37	2.22	5.26	2.23
	-15	4.76	2.07	4.64	2.09	4.53	2.11	4.46	2.12	4.40	2.12	4.29	2.13
18 + 16	15	10.58	2.70	10.47	2.71	10.35	2.74	10.29	2.75	10.23	2.75	10.11	2.77
	10	9.61	2.59	9.49	2.61	9.38	2.64	9.32	2.64	9.26	2.64	9.14	2.66
	6	8.84	2.51	8.72	2.52	8.60	2.55	8.54	2.56	8.48	2.56	8.36	2.57
	0	7.67	2.39	7.56	2.40	7.44	2.43	7.38	2.43	7.32	2.43	7.20	2.45
	-5	6.70	2.28	6.59	2.30	6.47	2.32	6.41	2.33	6.35	2.33	6.23	2.34
	-10	5.73	2.18	5.61	2.19	5.50	2.21	5.43	2.22	5.37	2.22	5.26	2.23
	-15	4.76	2.07	4.64	2.09	4.53	2.11	4.46	2.12	4.40	2.12	4.29	2.13
22 + 16	15	10.58	2.70	10.47	2.71	10.35	2.74	10.29	2.75	10.23	2.75	10.11	2.77
	10	9.61	2.59	9.49	2.61	9.38	2.64	9.32	2.64	9.26	2.64	9.14	2.66
	6	8.84	2.51	8.72	2.52	8.60	2.55	8.54	2.56	8.48	2.56	8.36	2.57
	0	7.67	2.39	7.56	2.40	7.44	2.43	7.38	2.43	7.32	2.43	7.20	2.45
	-5	6.70	2.28	6.59	2.30	6.47	2.32	6.41	2.33	6.35	2.33	6.23	2.34
	-10	5.73	2.18	5.61	2.19	5.50	2.21	5.43	2.22	5.37	2.22	5.26	2.23
	-15	4.76	2.07	4.64	2.09	4.53	2.11	4.46	2.12	4.40	2.12	4.29	2.13
24 + 16	15	10.58	2.70	10.47	2.71	10.35	2.74	10.29	2.75	10.23	2.75	10.11	2.77
	10	9.61	2.59	9.49	2.61	9.38	2.64	9.32	2.64	9.26	2.64	9.14	2.66
	6	8.84	2.51	8.72	2.52	8.60	2.55	8.54	2.56	8.48	2.56	8.36	2.57
	0	7.67	2.39	7.56	2.40	7.44	2.43	7.38	2.43	7.32	2.43	7.20	2.45
	-5	6.70	2.28	6.59	2.30	6.47	2.32	6.41	2.33	6.35	2.33	6.23	2.34
	-10	5.73	2.18	5.61	2.19	5.50	2.21	5.43	2.22	5.37	2.22	5.26	2.23
	-15	4.76	2.07	4.64	2.09	4.53	2.11	4.46	2.12	4.40	2.12	4.29	2.13
18 + 18	15	10.58	2.70	10.47	2.71	10.35	2.74	10.29	2.75	10.23	2.75	10.11	2.77
	10	9.61	2.59	9.49	2.61	9.38	2.64	9.32	2.64	9.26	2.64	9.14	2.66
	6	8.84	2.51	8.72	2.52	8.60	2.55	8.54	2.56	8.48	2.56	8.36	2.57
	0	7.67	2.39	7.56	2.40	7.44	2.43	7.38	2.43	7.32	2.43	7.20	2.45
	-5	6.70	2.28	6.59	2.30	6.47	2.32	6.41	2.33	6.35	2.33	6.23	2.34
	-10	5.73	2.18	5.61	2.19	5.50	2.21	5.43	2.22	5.37	2.22	5.26	2.23
	-15	4.76	2.07	4.64	2.09	4.53	2.11	4.46	2.12	4.40	2.12	4.29	2.13
22 + 18	15	10.58	2.70	10.47	2.71	10.35	2.74	10.29	2.75	10.23	2.75	10.11	2.77
	10	9.61	2.59	9.49	2.61	9.38	2.64	9.32	2.64	9.26	2.64	9.14	2.66
	6	8.84	2.51	8.72	2.52	8.60	2.55	8.54	2.56	8.48	2.56	8.36	2.57
	0	7.67	2.39	7.56	2.40	7.44	2.43	7.38	2.43	7.32	2.43	7.20	2.45
	-5	6.70	2.28	6.59	2.30	6.47	2.32	6.41	2.33	6.35	2.33	6.23	2.34
	-10	5.73	2.18	5.61	2.19	5.50	2.21	5.43	2.22	5.37	2.22	5.26	2.23
	-15	4.76	2.07	4.64	2.09	4.53	2.11	4.46	2.12	4.40	2.12	4.29	2.13

Heating

3 - rooms multisplit : 2 - units operation

Indoor units : 24 type + 18 type

Outdoor unit : RAS-3M26U2AVG-E

TC : Total capacity [kW]

PI : Power input [kW]

Combination (Capacity)	Outdoor air temp. [°C WB]	Indoor air temp. [°C DB]											
		16		18		20		21		22		24	
		TC [kW]	PI [kW]	TC [kW]	PI [kW]	TC [kW]	PI [kW]	TC [kW]	PI [kW]	TC [kW]	PI [kW]	TC [kW]	PI [kW]
24 + 18	15	10.58	2.70	10.47	2.71	10.35	2.74	10.29	2.75	10.23	2.75	10.11	2.77
	10	9.61	2.59	9.49	2.61	9.38	2.64	9.32	2.64	9.26	2.64	9.14	2.66
	6	8.84	2.51	8.72	2.52	8.60	2.55	8.54	2.56	8.48	2.56	8.36	2.57
	0	7.67	2.39	7.56	2.40	7.44	2.43	7.38	2.43	7.32	2.43	7.20	2.45
	-5	6.70	2.28	6.59	2.30	6.47	2.32	6.41	2.33	6.35	2.33	6.23	2.34
	-10	5.73	2.18	5.61	2.19	5.50	2.21	5.43	2.22	5.37	2.22	5.26	2.23
	-15	4.76	2.07	4.64	2.09	4.53	2.11	4.46	2.12	4.40	2.12	4.29	2.13

Heating

3 - rooms multisplit : 3 - units operation

Indoor units : 05 type + 05 type + 05 type 16 type + 05 type + 05 type
 07 type + 05 type + 05 type 18 type + 05 type + 05 type
 10 type + 05 type + 05 type 22 type + 05 type + 05 type
 13 type + 05 type + 05 type 24 type + 05 type + 05 type

Outdoor unit : RAS-3M26U2AVG-E

TC : Total capacity [kW]

PI : Power input [kW]

Combination (Capacity)	Outdoor air temp. [°C WB]	Indoor air temp. [°C DB]											
		16		18		20		21		22		24	
		TC [kW]	PI [kW]	TC [kW]	PI [kW]	TC [kW]	PI [kW]	TC [kW]	PI [kW]	TC [kW]	PI [kW]	TC [kW]	PI [kW]
05 + 05 + 05	15	7.38	1.29	7.30	1.30	7.22	1.31	7.18	1.32	7.14	1.32	7.05	1.32
	10	6.71	1.24	6.62	1.25	6.54	1.26	6.50	1.26	6.46	1.26	6.37	1.27
	6	6.17	1.20	6.08	1.21	6.00	1.22	5.96	1.22	5.92	1.22	5.83	1.23
	0	5.35	1.14	5.27	1.15	5.19	1.16	5.15	1.16	5.11	1.16	5.02	1.17
	-5	4.68	1.09	4.59	1.10	4.51	1.11	4.47	1.11	4.43	1.11	4.35	1.12
	-10	4.00	1.04	3.92	1.05	3.83	1.06	3.79	1.06	3.75	1.06	3.67	1.07
	-15	3.32	0.99	3.24	1.00	3.16	1.01	3.11	1.01	3.07	1.01	2.99	1.02
07 + 05 + 05	15	8.25	1.48	8.15	1.49	8.06	1.51	8.02	1.51	7.97	1.51	7.88	1.52
	10	7.49	1.42	7.40	1.43	7.30	1.45	7.26	1.45	7.21	1.45	7.12	1.46
	6	6.88	1.38	6.79	1.39	6.70	1.40	6.65	1.40	6.61	1.40	6.51	1.41
	0	5.98	1.31	5.89	1.32	5.79	1.33	5.75	1.34	5.70	1.34	5.61	1.34
	-5	5.22	1.25	5.13	1.26	5.04	1.27	4.99	1.28	4.95	1.28	4.85	1.29
	-10	4.47	1.20	4.37	1.20	4.28	1.22	4.23	1.22	4.19	1.22	4.09	1.23
	-15	3.71	1.14	3.62	1.15	3.53	1.16	3.48	1.16	3.43	1.16	3.34	1.17
10 + 05 + 05	15	9.85	1.96	9.74	1.97	9.62	1.99	9.57	1.99	9.52	1.99	9.41	2.01
	10	8.94	1.88	8.83	1.89	8.72	1.91	8.67	1.92	8.61	1.92	8.50	1.93
	6	8.22	1.82	8.11	1.83	8.00	1.85	7.94	1.86	7.89	1.86	7.78	1.87
	0	7.14	1.73	7.03	1.74	6.92	1.76	6.86	1.76	6.81	1.76	6.70	1.78
	-5	6.24	1.66	6.13	1.67	6.01	1.68	5.96	1.69	5.91	1.69	5.80	1.70
	-10	5.33	1.58	5.22	1.59	5.11	1.61	5.06	1.61	5.00	1.61	4.89	1.62
	-15	4.43	1.51	4.32	1.51	4.21	1.53	4.15	1.53	4.10	1.53	3.99	1.54
13 + 05 + 05	15	10.95	2.31	10.83	2.32	10.71	2.34	10.65	2.35	10.59	2.35	10.46	2.37
	10	9.95	2.22	9.83	2.23	9.70	2.25	9.64	2.26	9.58	2.26	9.46	2.27
	6	9.15	2.14	9.02	2.16	8.90	2.18	8.84	2.19	8.78	2.19	8.65	2.20
	0	7.94	2.04	7.82	2.05	7.70	2.07	7.64	2.08	7.57	2.08	7.45	2.09
	-5	6.94	1.95	6.82	1.96	6.69	1.98	6.63	1.99	6.57	1.99	6.45	2.00
	-10	5.93	1.86	5.81	1.87	5.69	1.89	5.62	1.90	5.56	1.90	5.44	1.91
	-15	4.93	1.77	4.80	1.79	4.68	1.80	4.62	1.81	4.56	1.81	4.44	1.82
16 + 05 + 05	15	10.95	2.31	10.83	2.32	10.71	2.34	10.65	2.35	10.59	2.35	10.46	2.37
	10	9.95	2.22	9.83	2.23	9.70	2.25	9.64	2.26	9.58	2.26	9.46	2.27
	6	9.15	2.14	9.02	2.16	8.90	2.18	8.84	2.19	8.78	2.19	8.65	2.20
	0	7.94	2.04	7.82	2.05	7.70	2.07	7.64	2.08	7.57	2.08	7.45	2.09
	-5	6.94	1.95	6.82	1.96	6.69	1.98	6.63	1.99	6.57	1.99	6.45	2.00
	-10	5.93	1.86	5.81	1.87	5.69	1.89	5.62	1.90	5.56	1.90	5.44	1.91
	-15	4.93	1.77	4.80	1.79	4.68	1.80	4.62	1.81	4.56	1.81	4.44	1.82
18 + 05 + 05	15	9.85	1.96	9.74	1.97	9.62	1.99	9.57	1.99	9.52	1.99	9.41	2.01
	10	8.94	1.88	8.83	1.89	8.72	1.91	8.67	1.92	8.61	1.92	8.50	1.93
	6	8.22	1.82	8.11	1.83	8.00	1.85	7.94	1.86	7.89	1.86	7.78	1.87
	0	7.14	1.73	7.03	1.74	6.92	1.76	6.86	1.76	6.81	1.76	6.70	1.78
	-5	6.24	1.66	6.13	1.67	6.01	1.68	5.96	1.69	5.91	1.69	5.80	1.70
	-10	5.33	1.58	5.22	1.59	5.11	1.61	5.06	1.61	5.00	1.61	4.89	1.62
	-15	4.43	1.51	4.32	1.51	4.21	1.53	4.15	1.53	4.10	1.53	3.99	1.54
22 + 05 + 05	15	10.95	2.31	10.83	2.32	10.71	2.34	10.65	2.35	10.59	2.35	10.46	2.37
	10	9.95	2.22	9.83	2.23	9.70	2.25	9.64	2.26	9.58	2.26	9.46	2.27
	6	9.15	2.14	9.02	2.16	8.90	2.18	8.84	2.19	8.78	2.19	8.65	2.20
	0	7.94	2.04	7.82	2.05	7.70	2.07	7.64	2.08	7.57	2.08	7.45	2.09
	-5	6.94	1.95	6.82	1.96	6.69	1.98	6.63	1.99	6.57	1.99	6.45	2.00
	-10	5.93	1.86	5.81	1.87	5.69	1.89	5.62	1.90	5.56	1.90	5.44	1.91
	-15	4.93	1.77	4.80	1.79	4.68	1.80	4.62	1.81	4.56	1.81	4.44	1.82
24 + 05 + 05	15	10.95	2.31	10.83	2.32	10.71	2.34	10.65	2.35	10.59	2.35	10.46	2.37
	10	9.95	2.22	9.83	2.23	9.70	2.25	9.64	2.26	9.58	2.26	9.46	2.27
	6	9.15	2.14	9.02	2.16	8.90	2.18	8.84	2.19	8.78	2.19	8.65	2.20
	0	7.94	2.04	7.82	2.05	7.70	2.07	7.64	2.08	7.57	2.08	7.45	2.09
	-5	6.94	1.95	6.82	1.96	6.69	1.98	6.63	1.99	6.57	1.99	6.45	2.00
	-10	5.93	1.86	5.81	1.87	5.69	1.89	5.62	1.90	5.56	1.90	5.44	1.91
	-15	4.93	1.77	4.80	1.79	4.68	1.80	4.62	1.81	4.56	1.81	4.44	1.82

Heating

3 - rooms multisplit : 3 - units operation

Indoor units : 07 type + 07 type + 05 type 18 type + 07 type + 05 type
 10 type + 07 type + 05 type 22 type + 07 type + 05 type
 13 type + 07 type + 05 type 24 type + 07 type + 05 type
 16 type + 07 type + 05 type 10 type + 10 type + 05 type

TC : Total capacity [kW]

PI : Power input [kW]

Outdoor unit : RAS-3M26U2AVG-E

Combination (Capacity)	Outdoor air temp. [°C WB]	Indoor air temp. [°C DB]											
		16		18		20		21		22		24	
		TC [kW]	PI [kW]	TC [kW]	PI [kW]	TC [kW]	PI [kW]	TC [kW]	PI [kW]	TC [kW]	PI [kW]	TC [kW]	PI [kW]
07 + 07 + 05	15	9.11	1.69	9.01	1.70	8.90	1.72	8.85	1.73	8.80	1.73	8.70	1.74
	10	8.27	1.63	8.17	1.64	8.07	1.65	8.02	1.66	7.96	1.66	7.86	1.67
	6	7.60	1.57	7.50	1.58	7.40	1.60	7.35	1.60	7.30	1.60	7.19	1.61
	0	6.60	1.50	6.50	1.51	6.40	1.52	6.35	1.53	6.30	1.53	6.20	1.54
	-5	5.77	1.43	5.67	1.44	5.56	1.46	5.51	1.46	5.46	1.46	5.36	1.47
	-10	4.93	1.37	4.83	1.38	4.73	1.39	4.68	1.39	4.62	1.39	4.52	1.40
	-15	4.10	1.30	3.99	1.31	3.89	1.32	3.84	1.33	3.79	1.33	3.69	1.34
10 + 07 + 05	15	10.71	2.31	10.59	2.32	10.47	2.34	10.41	2.35	10.35	2.35	10.23	2.37
	10	9.72	2.22	9.60	2.23	9.49	2.25	9.42	2.26	9.36	2.26	9.24	2.27
	6	8.94	2.14	8.82	2.16	8.70	2.18	8.64	2.19	8.58	2.19	8.46	2.20
	0	7.76	2.04	7.64	2.05	7.52	2.07	7.46	2.08	7.40	2.08	7.28	2.09
	-5	6.78	1.95	6.66	1.96	6.54	1.98	6.48	1.99	6.42	1.99	6.30	2.00
	-10	5.80	1.86	5.68	1.87	5.56	1.89	5.50	1.90	5.44	1.90	5.32	1.91
	-15	4.82	1.77	4.70	1.79	4.58	1.80	4.52	1.81	4.46	1.81	4.34	1.82
13 + 07 + 05	15	10.95	2.31	10.83	2.32	10.71	2.34	10.65	2.35	10.59	2.35	10.46	2.37
	10	9.95	2.22	9.83	2.23	9.70	2.25	9.64	2.26	9.58	2.26	9.46	2.27
	6	9.15	2.14	9.02	2.16	8.90	2.18	8.84	2.19	8.78	2.19	8.65	2.20
	0	7.94	2.04	7.82	2.05	7.70	2.07	7.64	2.08	7.57	2.08	7.45	2.09
	-5	6.94	1.95	6.82	1.96	6.69	1.98	6.63	1.99	6.57	1.99	6.45	2.00
	-10	5.93	1.86	5.81	1.87	5.69	1.89	5.62	1.90	5.56	1.90	5.44	1.91
	-15	4.93	1.77	4.80	1.79	4.68	1.80	4.62	1.81	4.56	1.81	4.44	1.82
16 + 07 + 05	15	10.95	2.31	10.83	2.32	10.71	2.34	10.65	2.35	10.59	2.35	10.46	2.37
	10	9.95	2.22	9.83	2.23	9.70	2.25	9.64	2.26	9.58	2.26	9.46	2.27
	6	9.15	2.14	9.02	2.16	8.90	2.18	8.84	2.19	8.78	2.19	8.65	2.20
	0	7.94	2.04	7.82	2.05	7.70	2.07	7.64	2.08	7.57	2.08	7.45	2.09
	-5	6.94	1.95	6.82	1.96	6.69	1.98	6.63	1.99	6.57	1.99	6.45	2.00
	-10	5.93	1.86	5.81	1.87	5.69	1.89	5.62	1.90	5.56	1.90	5.44	1.91
	-15	4.93	1.77	4.80	1.79	4.68	1.80	4.62	1.81	4.56	1.81	4.44	1.82
18 + 07 + 05	15	10.95	2.31	10.83	2.32	10.71	2.34	10.65	2.35	10.59	2.35	10.46	2.37
	10	9.95	2.22	9.83	2.23	9.70	2.25	9.64	2.26	9.58	2.26	9.46	2.27
	6	9.15	2.14	9.02	2.16	8.90	2.18	8.84	2.19	8.78	2.19	8.65	2.20
	0	7.94	2.04	7.82	2.05	7.70	2.07	7.64	2.08	7.57	2.08	7.45	2.09
	-5	6.94	1.95	6.82	1.96	6.69	1.98	6.63	1.99	6.57	1.99	6.45	2.00
	-10	5.93	1.86	5.81	1.87	5.69	1.89	5.62	1.90	5.56	1.90	5.44	1.91
	-15	4.93	1.77	4.80	1.79	4.68	1.80	4.62	1.81	4.56	1.81	4.44	1.82
22 + 07 + 05	15	10.95	2.31	10.83	2.32	10.71	2.34	10.65	2.35	10.59	2.35	10.46	2.37
	10	9.95	2.22	9.83	2.23	9.70	2.25	9.64	2.26	9.58	2.26	9.46	2.27
	6	9.15	2.14	9.02	2.16	8.90	2.18	8.84	2.19	8.78	2.19	8.65	2.20
	0	7.94	2.04	7.82	2.05	7.70	2.07	7.64	2.08	7.57	2.08	7.45	2.09
	-5	6.94	1.95	6.82	1.96	6.69	1.98	6.63	1.99	6.57	1.99	6.45	2.00
	-10	5.93	1.86	5.81	1.87	5.69	1.89	5.62	1.90	5.56	1.90	5.44	1.91
	-15	4.93	1.77	4.80	1.79	4.68	1.80	4.62	1.81	4.56	1.81	4.44	1.82
24 + 07 + 05	15	10.95	2.31	10.83	2.32	10.71	2.34	10.65	2.35	10.59	2.35	10.46	2.37
	10	9.95	2.22	9.83	2.23	9.70	2.25	9.64	2.26	9.58	2.26	9.46	2.27
	6	9.15	2.14	9.02	2.16	8.90	2.18	8.84	2.19	8.78	2.19	8.65	2.20
	0	7.94	2.04	7.82	2.05	7.70	2.07	7.64	2.08	7.57	2.08	7.45	2.09
	-5	6.94	1.95	6.82	1.96	6.69	1.98	6.63	1.99	6.57	1.99	6.45	2.00
	-10	5.93	1.86	5.81	1.87	5.69	1.89	5.62	1.90	5.56	1.90	5.44	1.91
	-15	4.93	1.77	4.80	1.79	4.68	1.80	4.62	1.81	4.56	1.81	4.44	1.82
10 + 10 + 05	15	10.95	2.31	10.83	2.32	10.71	2.34	10.65	2.35	10.59	2.35	10.46	2.37
	10	9.95	2.22	9.83	2.23	9.70	2.25	9.64	2.26	9.58	2.26	9.46	2.27
	6	9.15	2.14	9.02	2.16	8.90	2.18	8.84	2.19	8.78	2.19	8.65	2.20
	0	7.94	2.04	7.82	2.05	7.70	2.07	7.64	2.08	7.57	2.08	7.45	2.09
	-5	6.94	1.95	6.82	1.96	6.69	1.98	6.63	1.99	6.57	1.99	6.45	2.00
	-10	5.93	1.86	5.81	1.87	5.69	1.89	5.62	1.90	5.56	1.90	5.44	1.91
	-15	4.93	1.77	4.80	1.79	4.68	1.80	4.62	1.81	4.56	1.81	4.44	1.82

Heating

3 - rooms multisplit : 3 - units operation

Indoor units : 13 type + 10 type + 05 type 24 type + 10 type + 05 type
 16 type + 10 type + 05 type 13 type + 13 type + 05 type
 18 type + 10 type + 05 type 16 type + 13 type + 05 type
 22 type + 10 type + 05 type 18 type + 15 type + 05 type

TC : Total capacity [kW]
 PI : Power input [kW]

Outdoor unit : RAS-3M26U2AVG-E

Combination (Capacity)	Outdoor air temp. [°C WB]	Indoor air temp. [°C DB]											
		16		18		20		21		22		24	
		TC [kW]	PI [kW]	TC [kW]	PI [kW]	TC [kW]	PI [kW]	TC [kW]	PI [kW]	TC [kW]	PI [kW]	TC [kW]	PI [kW]
13 + 10 + 05	15	10.95	2.31	10.83	2.32	10.71	2.34	10.65	2.35	10.59	2.35	10.46	2.37
	10	9.95	2.22	9.83	2.23	9.70	2.25	9.64	2.26	9.58	2.26	9.46	2.27
	6	9.15	2.14	9.02	2.16	8.90	2.18	8.84	2.19	8.78	2.19	8.65	2.20
	0	7.94	2.04	7.82	2.05	7.70	2.07	7.64	2.08	7.57	2.08	7.45	2.09
	-5	6.94	1.95	6.82	1.96	6.69	1.98	6.63	1.99	6.57	1.99	6.45	2.00
	-10	5.93	1.86	5.81	1.87	5.69	1.89	5.62	1.90	5.56	1.90	5.44	1.91
	-15	4.93	1.77	4.80	1.79	4.68	1.80	4.62	1.81	4.56	1.81	4.44	1.82
16 + 10 + 05	15	10.95	2.31	10.83	2.32	10.71	2.34	10.65	2.35	10.59	2.35	10.46	2.37
	10	9.95	2.22	9.83	2.23	9.70	2.25	9.64	2.26	9.58	2.26	9.46	2.27
	6	9.15	2.14	9.02	2.16	8.90	2.18	8.84	2.19	8.78	2.19	8.65	2.20
	0	7.94	2.04	7.82	2.05	7.70	2.07	7.64	2.08	7.57	2.08	7.45	2.09
	-5	6.94	1.95	6.82	1.96	6.69	1.98	6.63	1.99	6.57	1.99	6.45	2.00
	-10	5.93	1.86	5.81	1.87	5.69	1.89	5.62	1.90	5.56	1.90	5.44	1.91
	-15	4.93	1.77	4.80	1.79	4.68	1.80	4.62	1.81	4.56	1.81	4.44	1.82
18 + 10 + 05	15	10.95	2.31	10.83	2.32	10.71	2.34	10.65	2.35	10.59	2.35	10.46	2.37
	10	9.95	2.22	9.83	2.23	9.70	2.25	9.64	2.26	9.58	2.26	9.46	2.27
	6	9.15	2.14	9.02	2.16	8.90	2.18	8.84	2.19	8.78	2.19	8.65	2.20
	0	7.94	2.04	7.82	2.05	7.70	2.07	7.64	2.08	7.57	2.08	7.45	2.09
	-5	6.94	1.95	6.82	1.96	6.69	1.98	6.63	1.99	6.57	1.99	6.45	2.00
	-10	5.93	1.86	5.81	1.87	5.69	1.89	5.62	1.90	5.56	1.90	5.44	1.91
	-15	4.93	1.77	4.80	1.79	4.68	1.80	4.62	1.81	4.56	1.81	4.44	1.82
22 + 10 + 05	15	10.95	2.31	10.83	2.32	10.71	2.34	10.65	2.35	10.59	2.35	10.46	2.37
	10	9.95	2.22	9.83	2.23	9.70	2.25	9.64	2.26	9.58	2.26	9.46	2.27
	6	9.15	2.14	9.02	2.16	8.90	2.18	8.84	2.19	8.78	2.19	8.65	2.20
	0	7.94	2.04	7.82	2.05	7.70	2.07	7.64	2.08	7.57	2.08	7.45	2.09
	-5	6.94	1.95	6.82	1.96	6.69	1.98	6.63	1.99	6.57	1.99	6.45	2.00
	-10	5.93	1.86	5.81	1.87	5.69	1.89	5.62	1.90	5.56	1.90	5.44	1.91
	-15	4.93	1.77	4.80	1.79	4.68	1.80	4.62	1.81	4.56	1.81	4.44	1.82
24 + 10 + 05	15	10.95	2.31	10.83	2.32	10.71	2.34	10.65	2.35	10.59	2.35	10.46	2.37
	10	9.95	2.22	9.83	2.23	9.70	2.25	9.64	2.26	9.58	2.26	9.46	2.27
	6	9.15	2.14	9.02	2.16	8.90	2.18	8.84	2.19	8.78	2.19	8.65	2.20
	0	7.94	2.04	7.82	2.05	7.70	2.07	7.64	2.08	7.57	2.08	7.45	2.09
	-5	6.94	1.95	6.82	1.96	6.69	1.98	6.63	1.99	6.57	1.99	6.45	2.00
	-10	5.93	1.86	5.81	1.87	5.69	1.89	5.62	1.90	5.56	1.90	5.44	1.91
	-15	4.93	1.77	4.80	1.79	4.68	1.80	4.62	1.81	4.56	1.81	4.44	1.82
13 + 13 + 05	15	10.95	2.31	10.83	2.32	10.71	2.34	10.65	2.35	10.59	2.35	10.46	2.37
	10	9.95	2.22	9.83	2.23	9.70	2.25	9.64	2.26	9.58	2.26	9.46	2.27
	6	9.15	2.14	9.02	2.16	8.90	2.18	8.84	2.19	8.78	2.19	8.65	2.20
	0	7.94	2.04	7.82	2.05	7.70	2.07	7.64	2.08	7.57	2.08	7.45	2.09
	-5	6.94	1.95	6.82	1.96	6.69	1.98	6.63	1.99	6.57	1.99	6.45	2.00
	-10	5.93	1.86	5.81	1.87	5.69	1.89	5.62	1.90	5.56	1.90	5.44	1.91
	-15	4.93	1.77	4.80	1.79	4.68	1.80	4.62	1.81	4.56	1.81	4.44	1.82
16 + 13 + 05	15	10.95	2.31	10.83	2.32	10.71	2.34	10.65	2.35	10.59	2.35	10.46	2.37
	10	9.95	2.22	9.83	2.23	9.70	2.25	9.64	2.26	9.58	2.26	9.46	2.27
	6	9.15	2.14	9.02	2.16	8.90	2.18	8.84	2.19	8.78	2.19	8.65	2.20
	0	7.94	2.04	7.82	2.05	7.70	2.07	7.64	2.08	7.57	2.08	7.45	2.09
	-5	6.94	1.95	6.82	1.96	6.69	1.98	6.63	1.99	6.57	1.99	6.45	2.00
	-10	5.93	1.86	5.81	1.87	5.69	1.89	5.62	1.90	5.56	1.90	5.44	1.91
	-15	4.93	1.77	4.80	1.79	4.68	1.80	4.62	1.81	4.56	1.81	4.44	1.82
18 + 13 + 05	15	10.95	2.31	10.83	2.32	10.71	2.34	10.65	2.35	10.59	2.35	10.46	2.37
	10	9.95	2.22	9.83	2.23	9.70	2.25	9.64	2.26	9.58	2.26	9.46	2.27
	6	9.15	2.14	9.02	2.16	8.90	2.18	8.84	2.19	8.78	2.19	8.65	2.20
	0	7.94	2.04	7.82	2.05	7.70	2.07	7.64	2.08	7.57	2.08	7.45	2.09
	-5	6.94	1.95	6.82	1.96	6.69	1.98	6.63	1.99	6.57	1.99	6.45	2.00
	-10	5.93	1.86	5.81	1.87	5.69	1.89	5.62	1.90	5.56	1.90	5.44	1.91
	-15	4.93	1.77	4.80	1.79	4.68	1.80	4.62	1.81	4.56	1.81	4.44	1.82

Heating

3 - rooms multisplit : 3 - units operation

Indoor units : 22 type + 13 type + 05 type 22 type + 16 type + 05 type
 24 type + 13 type + 05 type 24 type + 16 type + 05 type
 16 type + 16 type + 05 type 07 type + 07 type + 07 type
 18 type + 16 type + 05 type 10 type + 07 type + 07 type

TC : Total capacity [kW]

PI : Power input [kW]

Outdoor unit : RAS-3M26U2AVG-E

Combination (Capacity)	Outdoor air temp. [°C WB]	Indoor air temp. [°C DB]											
		16		18		20		21		22		24	
		TC [kW]	PI [kW]	TC [kW]	PI [kW]	TC [kW]	PI [kW]	TC [kW]	PI [kW]	TC [kW]	PI [kW]	TC [kW]	PI [kW]
22 + 13 + 05	15	10.95	2.31	10.83	2.32	10.71	2.34	10.65	2.35	10.59	2.35	10.46	2.37
	10	9.95	2.22	9.83	2.23	9.70	2.25	9.64	2.26	9.58	2.26	9.46	2.27
	6	9.15	2.14	9.02	2.16	8.90	2.18	8.84	2.19	8.78	2.19	8.65	2.20
	0	7.94	2.04	7.82	2.05	7.70	2.07	7.64	2.08	7.57	2.08	7.45	2.09
	-5	6.94	1.95	6.82	1.96	6.69	1.98	6.63	1.99	6.57	1.99	6.45	2.00
	-10	5.93	1.86	5.81	1.87	5.69	1.89	5.62	1.90	5.56	1.90	5.44	1.91
	-15	4.93	1.77	4.80	1.79	4.68	1.80	4.62	1.81	4.56	1.81	4.44	1.82
24 + 13 + 05	15	10.95	2.31	10.83	2.32	10.71	2.34	10.65	2.35	10.59	2.35	10.46	2.37
	10	9.95	2.22	9.83	2.23	9.70	2.25	9.64	2.26	9.58	2.26	9.46	2.27
	6	9.15	2.14	9.02	2.16	8.90	2.18	8.84	2.19	8.78	2.19	8.65	2.20
	0	7.94	2.04	7.82	2.05	7.70	2.07	7.64	2.08	7.57	2.08	7.45	2.09
	-5	6.94	1.95	6.82	1.96	6.69	1.98	6.63	1.99	6.57	1.99	6.45	2.00
	-10	5.93	1.86	5.81	1.87	5.69	1.89	5.62	1.90	5.56	1.90	5.44	1.91
	-15	4.93	1.77	4.80	1.79	4.68	1.80	4.62	1.81	4.56	1.81	4.44	1.82
16 + 16 + 05	15	10.95	2.31	10.83	2.32	10.71	2.34	10.65	2.35	10.59	2.35	10.46	2.37
	10	9.95	2.22	9.83	2.23	9.70	2.25	9.64	2.26	9.58	2.26	9.46	2.27
	6	9.15	2.14	9.02	2.16	8.90	2.18	8.84	2.19	8.78	2.19	8.65	2.20
	0	7.94	2.04	7.82	2.05	7.70	2.07	7.64	2.08	7.57	2.08	7.45	2.09
	-5	6.94	1.95	6.82	1.96	6.69	1.98	6.63	1.99	6.57	1.99	6.45	2.00
	-10	5.93	1.86	5.81	1.87	5.69	1.89	5.62	1.90	5.56	1.90	5.44	1.91
	-15	4.93	1.77	4.80	1.79	4.68	1.80	4.62	1.81	4.56	1.81	4.44	1.82
18 + 16 + 05	15	10.95	2.31	10.83	2.32	10.71	2.34	10.65	2.35	10.59	2.35	10.46	2.37
	10	9.95	2.22	9.83	2.23	9.70	2.25	9.64	2.26	9.58	2.26	9.46	2.27
	6	9.15	2.14	9.02	2.16	8.90	2.18	8.84	2.19	8.78	2.19	8.65	2.20
	0	7.94	2.04	7.82	2.05	7.70	2.07	7.64	2.08	7.57	2.08	7.45	2.09
	-5	6.94	1.95	6.82	1.96	6.69	1.98	6.63	1.99	6.57	1.99	6.45	2.00
	-10	5.93	1.86	5.81	1.87	5.69	1.89	5.62	1.90	5.56	1.90	5.44	1.91
	-15	4.93	1.77	4.80	1.79	4.68	1.80	4.62	1.81	4.56	1.81	4.44	1.82
22 + 16 + 05	15	10.95	2.31	10.83	2.32	10.71	2.34	10.65	2.35	10.59	2.35	10.46	2.37
	10	9.95	2.22	9.83	2.23	9.70	2.25	9.64	2.26	9.58	2.26	9.46	2.27
	6	9.15	2.14	9.02	2.16	8.90	2.18	8.84	2.19	8.78	2.19	8.65	2.20
	0	7.94	2.04	7.82	2.05	7.70	2.07	7.64	2.08	7.57	2.08	7.45	2.09
	-5	6.94	1.95	6.82	1.96	6.69	1.98	6.63	1.99	6.57	1.99	6.45	2.00
	-10	5.93	1.86	5.81	1.87	5.69	1.89	5.62	1.90	5.56	1.90	5.44	1.91
	-15	4.93	1.77	4.80	1.79	4.68	1.80	4.62	1.81	4.56	1.81	4.44	1.82
24 + 16 + 05	15	11.08	2.33	10.95	2.34	10.83	2.37	10.77	2.37	10.71	2.37	10.58	2.39
	10	10.06	2.24	9.94	2.25	9.81	2.27	9.75	2.28	9.69	2.28	9.56	2.30
	6	9.25	2.16	9.12	2.18	9.00	2.20	8.94	2.21	8.87	2.21	8.75	2.22
	0	8.03	2.06	7.91	2.07	7.78	2.09	7.72	2.10	7.66	2.10	7.54	2.11
	-5	7.02	1.97	6.89	1.98	6.77	2.00	6.71	2.01	6.64	2.01	6.52	2.02
	-10	6.00	1.88	5.87	1.89	5.75	1.91	5.69	1.92	5.62	1.92	5.50	1.93
	-15	4.98	1.79	4.86	1.80	4.74	1.82	4.67	1.82	4.61	1.82	4.49	1.84
07 + 07 + 07	15	9.97	1.90	9.86	1.92	9.74	1.94	9.69	1.94	9.63	1.94	9.52	1.95
	10	9.05	1.83	8.94	1.84	8.83	1.86	8.77	1.87	8.72	1.87	8.61	1.88
	6	8.32	1.77	8.21	1.78	8.10	1.80	8.04	1.81	7.99	1.81	7.87	1.82
	0	7.23	1.68	7.12	1.70	7.00	1.71	6.95	1.72	6.89	1.72	6.78	1.73
	-5	6.31	1.61	6.20	1.62	6.09	1.64	6.04	1.64	5.98	1.64	5.87	1.65
	-10	5.40	1.54	5.29	1.55	5.18	1.56	5.12	1.57	5.06	1.57	4.95	1.58
	-15	4.48	1.46	4.37	1.47	4.26	1.49	4.20	1.49	4.15	1.49	4.04	1.50
10 + 07 + 07	15	10.22	2.01	10.10	2.02	9.99	2.04	9.93	2.05	9.87	2.05	9.76	2.06
	10	9.28	1.93	9.16	1.94	9.05	1.96	8.99	1.97	8.93	1.97	8.82	1.98
	6	8.53	1.87	8.41	1.88	8.30	1.90	8.24	1.91	8.18	1.91	8.07	1.92
	0	7.41	1.78	7.29	1.79	7.18	1.81	7.12	1.81	7.06	1.81	6.95	1.82
	-5	6.47	1.70	6.36	1.71	6.24	1.73	6.18	1.73	6.13	1.73	6.01	1.74
	-10	5.53	1.62	5.42	1.63	5.30	1.65	5.24	1.65	5.19	1.65	5.07	1.67
	-15	4.60	1.55	4.48	1.56	4.37	1.57	4.31	1.58	4.25	1.58	4.14	1.59

Heating

3 - rooms multisplit : 3 - units operation

Indoor units : 13 type + 07 type + 07 type 24 type + 07 type + 07 type
 16 type + 07 type + 07 type 10 type + 10 type + 07 type
 18 type + 07 type + 07 type 13 type + 10 type + 07 type
 22 type + 07 type + 07 type 16 type + 10 type + 07 type

TC : Total capacity [kW]

PI : Power input [kW]

Outdoor unit : RAS-3M26U2AVG-E

Combination (Capacity)	Outdoor air temp. [°C WB]	Indoor air temp. [°C DB]											
		16		18		20		21		22		24	
		TC [kW]	PI [kW]	TC [kW]	PI [kW]	TC [kW]	PI [kW]	TC [kW]	PI [kW]	TC [kW]	PI [kW]	TC [kW]	PI [kW]
13 + 07 + 07	15	10.95	2.30	10.83	2.32	10.71	2.34	10.65	2.35	10.59	2.35	10.46	2.36
	10	9.95	2.21	9.83	2.23	9.70	2.25	9.64	2.26	9.58	2.26	9.46	2.27
	6	9.15	2.14	9.02	2.15	8.90	2.18	8.84	2.18	8.78	2.18	8.65	2.20
	0	7.94	2.04	7.82	2.05	7.70	2.07	7.64	2.07	7.57	2.07	7.45	2.09
	-5	6.94	1.95	6.82	1.96	6.69	1.98	6.63	1.98	6.57	1.98	6.45	2.00
	-10	5.93	1.86	5.81	1.87	5.69	1.89	5.62	1.89	5.56	1.89	5.44	1.91
	-15	4.93	1.77	4.80	1.78	4.68	1.80	4.62	1.80	4.56	1.80	4.44	1.82
16 + 07 + 07	15	10.95	2.30	10.83	2.32	10.71	2.34	10.65	2.35	10.59	2.35	10.46	2.36
	10	9.95	2.21	9.83	2.23	9.70	2.25	9.64	2.26	9.58	2.26	9.46	2.27
	6	9.15	2.14	9.02	2.15	8.90	2.18	8.84	2.18	8.78	2.18	8.65	2.20
	0	7.94	2.04	7.82	2.05	7.70	2.07	7.64	2.07	7.57	2.07	7.45	2.09
	-5	6.94	1.95	6.82	1.96	6.69	1.98	6.63	1.98	6.57	1.98	6.45	2.00
	-10	5.93	1.86	5.81	1.87	5.69	1.89	5.62	1.89	5.56	1.89	5.44	1.91
	-15	4.93	1.77	4.80	1.78	4.68	1.80	4.62	1.80	4.56	1.80	4.44	1.82
18 + 07 + 07	15	10.95	2.30	10.83	2.32	10.71	2.34	10.65	2.35	10.59	2.35	10.46	2.36
	10	9.95	2.21	9.83	2.23	9.70	2.25	9.64	2.26	9.58	2.26	9.46	2.27
	6	9.15	2.14	9.02	2.15	8.90	2.18	8.84	2.18	8.78	2.18	8.65	2.20
	0	7.94	2.04	7.82	2.05	7.70	2.07	7.64	2.07	7.57	2.07	7.45	2.09
	-5	6.94	1.95	6.82	1.96	6.69	1.98	6.63	1.98	6.57	1.98	6.45	2.00
	-10	5.93	1.86	5.81	1.87	5.69	1.89	5.62	1.89	5.56	1.89	5.44	1.91
	-15	4.93	1.77	4.80	1.78	4.68	1.80	4.62	1.80	4.56	1.80	4.44	1.82
22 + 07 + 07	15	10.95	2.30	10.83	2.32	10.71	2.34	10.65	2.35	10.59	2.35	10.46	2.36
	10	9.95	2.21	9.83	2.23	9.70	2.25	9.64	2.26	9.58	2.26	9.46	2.27
	6	9.15	2.14	9.02	2.15	8.90	2.18	8.84	2.18	8.78	2.18	8.65	2.20
	0	7.94	2.04	7.82	2.05	7.70	2.07	7.64	2.07	7.57	2.07	7.45	2.09
	-5	6.94	1.95	6.82	1.96	6.69	1.98	6.63	1.98	6.57	1.98	6.45	2.00
	-10	5.93	1.86	5.81	1.87	5.69	1.89	5.62	1.89	5.56	1.89	5.44	1.91
	-15	4.93	1.77	4.80	1.78	4.68	1.80	4.62	1.80	4.56	1.80	4.44	1.82
24 + 07 + 07	15	10.95	2.30	10.83	2.32	10.71	2.34	10.65	2.35	10.59	2.35	10.46	2.36
	10	9.95	2.21	9.83	2.23	9.70	2.25	9.64	2.26	9.58	2.26	9.46	2.27
	6	9.15	2.14	9.02	2.15	8.90	2.18	8.84	2.18	8.78	2.18	8.65	2.20
	0	7.94	2.04	7.82	2.05	7.70	2.07	7.64	2.07	7.57	2.07	7.45	2.09
	-5	6.94	1.95	6.82	1.96	6.69	1.98	6.63	1.98	6.57	1.98	6.45	2.00
	-10	5.93	1.86	5.81	1.87	5.69	1.89	5.62	1.89	5.56	1.89	5.44	1.91
	-15	4.93	1.77	4.80	1.78	4.68	1.80	4.62	1.80	4.56	1.80	4.44	1.82
10 + 10 + 07	15	10.46	2.12	10.34	2.13	10.23	2.15	10.17	2.16	10.11	2.16	9.99	2.17
	10	9.50	2.03	9.38	2.05	9.27	2.07	9.21	2.07	9.15	2.07	9.03	2.09
	6	8.73	1.97	8.62	1.98	8.50	2.00	8.44	2.01	8.38	2.01	8.26	2.02
	0	7.58	1.87	7.47	1.88	7.35	1.90	7.29	1.91	7.23	1.91	7.12	1.92
	-5	6.63	1.79	6.51	1.80	6.39	1.82	6.33	1.82	6.27	1.82	6.16	1.84
	-10	5.67	1.71	5.55	1.72	5.43	1.74	5.37	1.74	5.31	1.74	5.19	1.75
	-15	4.71	1.63	4.59	1.64	4.47	1.65	4.41	1.66	4.35	1.66	4.24	1.67
13 + 10 + 07	15	10.95	2.30	10.83	2.32	10.71	2.34	10.65	2.35	10.59	2.35	10.46	2.36
	10	9.95	2.21	9.83	2.23	9.70	2.25	9.64	2.26	9.58	2.26	9.46	2.27
	6	9.15	2.14	9.02	2.15	8.90	2.18	8.84	2.18	8.78	2.18	8.65	2.20
	0	7.94	2.04	7.82	2.05	7.70	2.07	7.64	2.07	7.57	2.07	7.45	2.09
	-5	6.94	1.95	6.82	1.96	6.69	1.98	6.63	1.98	6.57	1.98	6.45	2.00
	-10	5.93	1.86	5.81	1.87	5.69	1.89	5.62	1.89	5.56	1.89	5.44	1.91
	-15	4.93	1.77	4.80	1.78	4.68	1.80	4.62	1.80	4.56	1.80	4.44	1.82
16 + 10 + 07	15	10.95	2.30	10.83	2.32	10.71	2.34	10.65	2.35	10.59	2.35	10.46	2.36
	10	9.95	2.21	9.83	2.23	9.70	2.25	9.64	2.26	9.58	2.26	9.46	2.27
	6	9.15	2.14	9.02	2.15	8.90	2.18	8.84	2.18	8.78	2.18	8.65	2.20
	0	7.94	2.04	7.82	2.05	7.70	2.07	7.64	2.07	7.57	2.07	7.45	2.09
	-5	6.94	1.95	6.82	1.96	6.69	1.98	6.63	1.98	6.57	1.98	6.45	2.00
	-10	5.93	1.86	5.81	1.87	5.69	1.89	5.62	1.89	5.56	1.89	5.44	1.91
	-15	4.93	1.77	4.80	1.78	4.68	1.80	4.62	1.80	4.56	1.80	4.44	1.82

Heating

3 - rooms multisplit : 3 - units operation

Indoor units : 18 type + 10 type + 07 type 16 type + 13 type + 07 type
 22 type + 10 type + 07 type 18 type + 13 type + 07 type
 24 type + 10 type + 07 type 22 type + 13 type + 07 type
 13 type + 13 type + 07 type 24 type + 13 type + 07 type

Outdoor unit : RAS-3M26U2AVG-E

TC : Total capacity [kW]

PI : Power input [kW]

Combination (Capacity)	Outdoor air temp. [°C WB]	Indoor air temp. [°C DB]											
		16		18		20		21		22		24	
		TC [kW]	PI [kW]	TC [kW]	PI [kW]	TC [kW]	PI [kW]	TC [kW]	PI [kW]	TC [kW]	PI [kW]	TC [kW]	PI [kW]
18 + 10 + 07	15	10.95	2.30	10.83	2.32	10.71	2.34	10.65	2.35	10.59	2.35	10.46	2.36
	10	9.95	2.21	9.83	2.23	9.70	2.25	9.64	2.26	9.58	2.26	9.46	2.27
	6	9.15	2.14	9.02	2.15	8.90	2.18	8.84	2.18	8.78	2.18	8.65	2.20
	0	7.94	2.04	7.82	2.05	7.70	2.07	7.64	2.07	7.57	2.07	7.45	2.09
	-5	6.94	1.95	6.82	1.96	6.69	1.98	6.63	1.98	6.57	1.98	6.45	2.00
	-10	5.93	1.86	5.81	1.87	5.69	1.89	5.62	1.89	5.56	1.89	5.44	1.91
	-15	4.93	1.77	4.80	1.78	4.68	1.80	4.62	1.80	4.56	1.80	4.44	1.82
22 + 10 + 07	15	10.95	2.30	10.83	2.32	10.71	2.34	10.65	2.35	10.59	2.35	10.46	2.36
	10	9.95	2.21	9.83	2.23	9.70	2.25	9.64	2.26	9.58	2.26	9.46	2.27
	6	9.15	2.14	9.02	2.15	8.90	2.18	8.84	2.18	8.78	2.18	8.65	2.20
	0	7.94	2.04	7.82	2.05	7.70	2.07	7.64	2.07	7.57	2.07	7.45	2.09
	-5	6.94	1.95	6.82	1.96	6.69	1.98	6.63	1.98	6.57	1.98	6.45	2.00
	-10	5.93	1.86	5.81	1.87	5.69	1.89	5.62	1.89	5.56	1.89	5.44	1.91
	-15	4.93	1.77	4.80	1.78	4.68	1.80	4.62	1.80	4.56	1.80	4.44	1.82
24 + 10 + 07	15	10.95	2.30	10.83	2.32	10.71	2.34	10.65	2.35	10.59	2.35	10.46	2.36
	10	9.95	2.21	9.83	2.23	9.70	2.25	9.64	2.26	9.58	2.26	9.46	2.27
	6	9.15	2.14	9.02	2.15	8.90	2.18	8.84	2.18	8.78	2.18	8.65	2.20
	0	7.94	2.04	7.82	2.05	7.70	2.07	7.64	2.07	7.57	2.07	7.45	2.09
	-5	6.94	1.95	6.82	1.96	6.69	1.98	6.63	1.98	6.57	1.98	6.45	2.00
	-10	5.93	1.86	5.81	1.87	5.69	1.89	5.62	1.89	5.56	1.89	5.44	1.91
	-15	4.93	1.77	4.80	1.78	4.68	1.80	4.62	1.80	4.56	1.80	4.44	1.82
13 + 13 + 07	15	10.95	2.30	10.83	2.32	10.71	2.34	10.65	2.35	10.59	2.35	10.46	2.36
	10	9.95	2.21	9.83	2.23	9.70	2.25	9.64	2.26	9.58	2.26	9.46	2.27
	6	9.15	2.14	9.02	2.15	8.90	2.18	8.84	2.18	8.78	2.18	8.65	2.20
	0	7.94	2.04	7.82	2.05	7.70	2.07	7.64	2.07	7.57	2.07	7.45	2.09
	-5	6.94	1.95	6.82	1.96	6.69	1.98	6.63	1.98	6.57	1.98	6.45	2.00
	-10	5.93	1.86	5.81	1.87	5.69	1.89	5.62	1.89	5.56	1.89	5.44	1.91
	-15	4.93	1.77	4.80	1.78	4.68	1.80	4.62	1.80	4.56	1.80	4.44	1.82
16 + 13 + 07	15	10.95	2.30	10.83	2.32	10.71	2.34	10.65	2.35	10.59	2.35	10.46	2.36
	10	9.95	2.21	9.83	2.23	9.70	2.25	9.64	2.26	9.58	2.26	9.46	2.27
	6	9.15	2.14	9.02	2.15	8.90	2.18	8.84	2.18	8.78	2.18	8.65	2.20
	0	7.94	2.04	7.82	2.05	7.70	2.07	7.64	2.07	7.57	2.07	7.45	2.09
	-5	6.94	1.95	6.82	1.96	6.69	1.98	6.63	1.98	6.57	1.98	6.45	2.00
	-10	5.93	1.86	5.81	1.87	5.69	1.89	5.62	1.89	5.56	1.89	5.44	1.91
	-15	4.93	1.77	4.80	1.78	4.68	1.80	4.62	1.80	4.56	1.80	4.44	1.82
18 + 13 + 07	15	10.95	2.30	10.83	2.32	10.71	2.34	10.65	2.35	10.59	2.35	10.46	2.36
	10	9.95	2.21	9.83	2.23	9.70	2.25	9.64	2.26	9.58	2.26	9.46	2.27
	6	9.15	2.14	9.02	2.15	8.90	2.18	8.84	2.18	8.78	2.18	8.65	2.20
	0	7.94	2.04	7.82	2.05	7.70	2.07	7.64	2.07	7.57	2.07	7.45	2.09
	-5	6.94	1.95	6.82	1.96	6.69	1.98	6.63	1.98	6.57	1.98	6.45	2.00
	-10	5.93	1.86	5.81	1.87	5.69	1.89	5.62	1.89	5.56	1.89	5.44	1.91
	-15	4.93	1.77	4.80	1.78	4.68	1.80	4.62	1.80	4.56	1.80	4.44	1.82
22 + 13 + 07	15	10.95	2.30	10.83	2.32	10.71	2.34	10.65	2.35	10.59	2.35	10.46	2.36
	10	9.95	2.21	9.83	2.23	9.70	2.25	9.64	2.26	9.58	2.26	9.46	2.27
	6	9.15	2.14	9.02	2.15	8.90	2.18	8.84	2.18	8.78	2.18	8.65	2.20
	0	7.94	2.04	7.82	2.05	7.70	2.07	7.64	2.07	7.57	2.07	7.45	2.09
	-5	6.94	1.95	6.82	1.96	6.69	1.98	6.63	1.98	6.57	1.98	6.45	2.00
	-10	5.93	1.86	5.81	1.87	5.69	1.89	5.62	1.89	5.56	1.89	5.44	1.91
	-15	4.93	1.77	4.80	1.78	4.68	1.80	4.62	1.80	4.56	1.80	4.44	1.82
24 + 13 + 07	15	10.95	2.30	10.83	2.32	10.71	2.34	10.65	2.35	10.59	2.35	10.46	2.36
	10	9.95	2.21	9.83	2.23	9.70	2.25	9.64	2.26	9.58	2.26	9.46	2.27
	6	9.15	2.14	9.02	2.15	8.90	2.18	8.84	2.18	8.78	2.18	8.65	2.20
	0	7.94	2.04	7.82	2.05	7.70	2.07	7.64	2.07	7.57	2.07	7.45	2.09
	-5	6.94	1.95	6.82	1.96	6.69	1.98	6.63	1.98	6.57	1.98	6.45	2.00
	-10	5.93	1.86	5.81	1.87	5.69	1.89	5.62	1.89	5.56	1.89	5.44	1.91
	-15	4.93	1.77	4.80	1.78	4.68	1.80	4.62	1.80	4.56	1.80	4.44	1.82

Heating

3 - rooms multisplit : 3 - units operation

Indoor units : 16 type + 16 type + 07 type 10 type + 10 type + 10 type
 18 type + 16 type + 07 type 13 type + 10 type + 10 type
 22 type + 16 type + 07 type 16 type + 10 type + 10 type
 24 type + 16 type + 07 type 18 type + 10 type + 10 type

TC : Total capacity [kW]
 PI : Power input [kW]

Outdoor unit : RAS-3M26U2AVG-E

Combination (Capacity)	Outdoor air temp. [°C WB]	Indoor air temp. [°C DB]											
		16		18		20		21		22		24	
		TC [kW]	PI [kW]	TC [kW]	PI [kW]	TC [kW]	PI [kW]	TC [kW]	PI [kW]	TC [kW]	PI [kW]	TC [kW]	PI [kW]
16 + 16 + 07	15	10.95	2.30	10.83	2.32	10.71	2.34	10.65	2.35	10.59	2.35	10.46	2.36
	10	9.95	2.21	9.83	2.23	9.70	2.25	9.64	2.26	9.58	2.26	9.46	2.27
	6	9.15	2.14	9.02	2.15	8.90	2.18	8.84	2.18	8.78	2.18	8.65	2.20
	0	7.94	2.04	7.82	2.05	7.70	2.07	7.64	2.07	7.57	2.07	7.45	2.09
	-5	6.94	1.95	6.82	1.96	6.69	1.98	6.63	1.98	6.57	1.98	6.45	2.00
	-10	5.93	1.86	5.81	1.87	5.69	1.89	5.62	1.89	5.56	1.89	5.44	1.91
	-15	4.93	1.77	4.80	1.78	4.68	1.80	4.62	1.80	4.56	1.80	4.44	1.82
18 + 16 + 07	15	10.95	2.30	10.83	2.32	10.71	2.34	10.65	2.35	10.59	2.35	10.46	2.36
	10	9.95	2.21	9.83	2.23	9.70	2.25	9.64	2.26	9.58	2.26	9.46	2.27
	6	9.15	2.14	9.02	2.15	8.90	2.18	8.84	2.18	8.78	2.18	8.65	2.20
	0	7.94	2.04	7.82	2.05	7.70	2.07	7.64	2.07	7.57	2.07	7.45	2.09
	-5	6.94	1.95	6.82	1.96	6.69	1.98	6.63	1.98	6.57	1.98	6.45	2.00
	-10	5.93	1.86	5.81	1.87	5.69	1.89	5.62	1.89	5.56	1.89	5.44	1.91
	-15	4.93	1.77	4.80	1.78	4.68	1.80	4.62	1.80	4.56	1.80	4.44	1.82
22 + 16 + 07	15	11.08	2.33	10.95	2.34	10.83	2.37	10.77	2.37	10.71	2.37	10.58	2.39
	10	10.06	2.24	9.94	2.25	9.81	2.27	9.75	2.28	9.69	2.28	9.56	2.30
	6	9.25	2.16	9.12	2.18	9.00	2.20	8.94	2.21	8.87	2.21	8.75	2.22
	0	8.03	2.06	7.91	2.07	7.78	2.09	7.72	2.10	7.66	2.10	7.54	2.11
	-5	7.02	1.97	6.89	1.98	6.77	2.00	6.71	2.01	6.64	2.01	6.52	2.02
	-10	6.00	1.88	5.87	1.89	5.75	1.91	5.69	1.92	5.62	1.92	5.50	1.93
	-15	4.98	1.79	4.86	1.80	4.74	1.82	4.67	1.82	4.61	1.82	4.49	1.84
24 + 16 + 07	15	11.08	2.33	10.95	2.34	10.83	2.37	10.77	2.37	10.71	2.37	10.58	2.39
	10	10.06	2.24	9.94	2.25	9.81	2.27	9.75	2.28	9.69	2.28	9.56	2.30
	6	9.25	2.16	9.12	2.18	9.00	2.20	8.94	2.21	8.87	2.21	8.75	2.22
	0	8.03	2.06	7.91	2.07	7.78	2.09	7.72	2.10	7.66	2.10	7.54	2.11
	-5	7.02	1.97	6.89	1.98	6.77	2.00	6.71	2.01	6.64	2.01	6.52	2.02
	-10	6.00	1.88	5.87	1.89	5.75	1.91	5.69	1.92	5.62	1.92	5.50	1.93
	-15	4.98	1.79	4.86	1.80	4.74	1.82	4.67	1.82	4.61	1.82	4.49	1.84
10 + 10 + 10	15	10.95	2.30	10.83	2.32	10.71	2.34	10.65	2.35	10.59	2.35	10.46	2.36
	10	9.95	2.21	9.83	2.23	9.70	2.25	9.64	2.26	9.58	2.26	9.46	2.27
	6	9.15	2.14	9.02	2.15	8.90	2.18	8.84	2.18	8.78	2.18	8.65	2.20
	0	7.94	2.04	7.82	2.05	7.70	2.07	7.64	2.07	7.57	2.07	7.45	2.09
	-5	6.94	1.95	6.82	1.96	6.69	1.98	6.63	1.98	6.57	1.98	6.45	2.00
	-10	5.93	1.86	5.81	1.87	5.69	1.89	5.62	1.89	5.56	1.89	5.44	1.91
	-15	4.93	1.77	4.80	1.78	4.68	1.80	4.62	1.80	4.56	1.80	4.44	1.82
13 + 10 + 10	15	10.95	2.30	10.83	2.32	10.71	2.34	10.65	2.35	10.59	2.35	10.46	2.36
	10	9.95	2.21	9.83	2.23	9.70	2.25	9.64	2.26	9.58	2.26	9.46	2.27
	6	9.15	2.14	9.02	2.15	8.90	2.18	8.84	2.18	8.78	2.18	8.65	2.20
	0	7.94	2.04	7.82	2.05	7.70	2.07	7.64	2.07	7.57	2.07	7.45	2.09
	-5	6.94	1.95	6.82	1.96	6.69	1.98	6.63	1.98	6.57	1.98	6.45	2.00
	-10	5.93	1.86	5.81	1.87	5.69	1.89	5.62	1.89	5.56	1.89	5.44	1.91
	-15	4.93	1.77	4.80	1.78	4.68	1.80	4.62	1.80	4.56	1.80	4.44	1.82
16 + 10 + 10	15	10.95	2.30	10.83	2.32	10.71	2.34	10.65	2.35	10.59	2.35	10.46	2.36
	10	9.95	2.21	9.83	2.23	9.70	2.25	9.64	2.26	9.58	2.26	9.46	2.27
	6	9.15	2.14	9.02	2.15	8.90	2.18	8.84	2.18	8.78	2.18	8.65	2.20
	0	7.94	2.04	7.82	2.05	7.70	2.07	7.64	2.07	7.57	2.07	7.45	2.09
	-5	6.94	1.95	6.82	1.96	6.69	1.98	6.63	1.98	6.57	1.98	6.45	2.00
	-10	5.93	1.86	5.81	1.87	5.69	1.89	5.62	1.89	5.56	1.89	5.44	1.91
	-15	4.93	1.77	4.80	1.78	4.68	1.80	4.62	1.80	4.56	1.80	4.44	1.82
18 + 10 + 10	15	10.95	2.30	10.83	2.32	10.71	2.34	10.65	2.35	10.59	2.35	10.46	2.36
	10	9.95	2.21	9.83	2.23	9.70	2.25	9.64	2.26	9.58	2.26	9.46	2.27
	6	9.15	2.14	9.02	2.15	8.90	2.18	8.84	2.18	8.78	2.18	8.65	2.20
	0	7.94	2.04	7.82	2.05	7.70	2.07	7.64	2.07	7.57	2.07	7.45	2.09
	-5	6.94	1.95	6.82	1.96	6.69	1.98	6.63	1.98	6.57	1.98	6.45	2.00
	-10	5.93	1.86	5.81	1.87	5.69	1.89	5.62	1.89	5.56	1.89	5.44	1.91
	-15	4.93	1.77	4.80	1.78	4.68	1.80	4.62	1.80	4.56	1.80	4.44	1.82

Heating

3 - rooms multisplit : 3 - units operation

Indoor units : 22 type + 10 type + 10 type 18 type + 13 type + 10 type
 24 type + 10 type + 10 type 22 type + 13 type + 10 type
 13 type + 13 type + 10 type 24 type + 13 type + 10 type
 16 type + 13 type + 10 type 16 type + 16 type + 10 type

Outdoor unit : RAS-3M26U2AVG-E

TC : Total capacity [kW]
 PI : Power input [kW]

Combination (Capacity)	Outdoor air temp. [°C WB]	Indoor air temp. [°C DB]											
		16		18		20		21		22		24	
		TC [kW]	PI [kW]	TC [kW]	PI [kW]	TC [kW]	PI [kW]	TC [kW]	PI [kW]	TC [kW]	PI [kW]	TC [kW]	PI [kW]
22 + 10 + 10	15	10.95	2.30	10.83	2.32	10.71	2.34	10.65	2.35	10.59	2.35	10.46	2.36
	10	9.95	2.21	9.83	2.23	9.70	2.25	9.64	2.26	9.58	2.26	9.46	2.27
	6	9.15	2.14	9.02	2.15	8.90	2.18	8.84	2.18	8.78	2.18	8.65	2.20
	0	7.94	2.04	7.82	2.05	7.70	2.07	7.64	2.07	7.57	2.07	7.45	2.09
	-5	6.94	1.95	6.82	1.96	6.69	1.98	6.63	1.98	6.57	1.98	6.45	2.00
	-10	5.93	1.86	5.81	1.87	5.69	1.89	5.62	1.89	5.56	1.89	5.44	1.91
	-15	4.93	1.77	4.80	1.78	4.68	1.80	4.62	1.80	4.56	1.80	4.44	1.82
24 + 10 + 10	15	10.95	2.30	10.83	2.32	10.71	2.34	10.65	2.35	10.59	2.35	10.46	2.36
	10	9.95	2.21	9.83	2.23	9.70	2.25	9.64	2.26	9.58	2.26	9.46	2.27
	6	9.15	2.14	9.02	2.15	8.90	2.18	8.84	2.18	8.78	2.18	8.65	2.20
	0	7.94	2.04	7.82	2.05	7.70	2.07	7.64	2.07	7.57	2.07	7.45	2.09
	-5	6.94	1.95	6.82	1.96	6.69	1.98	6.63	1.98	6.57	1.98	6.45	2.00
	-10	5.93	1.86	5.81	1.87	5.69	1.89	5.62	1.89	5.56	1.89	5.44	1.91
	-15	4.93	1.77	4.80	1.78	4.68	1.80	4.62	1.80	4.56	1.80	4.44	1.82
13 + 13 + 10	15	10.95	2.30	10.83	2.32	10.71	2.34	10.65	2.35	10.59	2.35	10.46	2.36
	10	9.95	2.21	9.83	2.23	9.70	2.25	9.64	2.26	9.58	2.26	9.46	2.27
	6	9.15	2.14	9.02	2.15	8.90	2.18	8.84	2.18	8.78	2.18	8.65	2.20
	0	7.94	2.04	7.82	2.05	7.70	2.07	7.64	2.07	7.57	2.07	7.45	2.09
	-5	6.94	1.95	6.82	1.96	6.69	1.98	6.63	1.98	6.57	1.98	6.45	2.00
	-10	5.93	1.86	5.81	1.87	5.69	1.89	5.62	1.89	5.56	1.89	5.44	1.91
	-15	4.93	1.77	4.80	1.78	4.68	1.80	4.62	1.80	4.56	1.80	4.44	1.82
16 + 13 + 10	15	10.95	2.30	10.83	2.32	10.71	2.34	10.65	2.35	10.59	2.35	10.46	2.36
	10	9.95	2.21	9.83	2.23	9.70	2.25	9.64	2.26	9.58	2.26	9.46	2.27
	6	9.15	2.14	9.02	2.15	8.90	2.18	8.84	2.18	8.78	2.18	8.65	2.20
	0	7.94	2.04	7.82	2.05	7.70	2.07	7.64	2.07	7.57	2.07	7.45	2.09
	-5	6.94	1.95	6.82	1.96	6.69	1.98	6.63	1.98	6.57	1.98	6.45	2.00
	-10	5.93	1.86	5.81	1.87	5.69	1.89	5.62	1.89	5.56	1.89	5.44	1.91
	-15	4.93	1.77	4.80	1.78	4.68	1.80	4.62	1.80	4.56	1.80	4.44	1.82
18 + 13 + 10	15	10.95	2.30	10.83	2.32	10.71	2.34	10.65	2.35	10.59	2.35	10.46	2.36
	10	9.95	2.21	9.83	2.23	9.70	2.25	9.64	2.26	9.58	2.26	9.46	2.27
	6	9.15	2.14	9.02	2.15	8.90	2.18	8.84	2.18	8.78	2.18	8.65	2.20
	0	7.94	2.04	7.82	2.05	7.70	2.07	7.64	2.07	7.57	2.07	7.45	2.09
	-5	6.94	1.95	6.82	1.96	6.69	1.98	6.63	1.98	6.57	1.98	6.45	2.00
	-10	5.93	1.86	5.81	1.87	5.69	1.89	5.62	1.89	5.56	1.89	5.44	1.91
	-15	4.93	1.77	4.80	1.78	4.68	1.80	4.62	1.80	4.56	1.80	4.44	1.82
22 + 13 + 10	15	11.08	2.33	10.95	2.34	10.83	2.37	10.77	2.37	10.71	2.37	10.58	2.39
	10	10.06	2.24	9.94	2.25	9.81	2.27	9.75	2.28	9.69	2.28	9.56	2.30
	6	9.25	2.16	9.12	2.18	9.00	2.20	8.94	2.21	8.87	2.21	8.75	2.22
	0	8.03	2.06	7.91	2.07	7.78	2.09	7.72	2.10	7.66	2.10	7.54	2.11
	-5	7.02	1.97	6.89	1.98	6.77	2.00	6.71	2.01	6.64	2.01	6.52	2.02
	-10	6.00	1.88	5.87	1.89	5.75	1.91	5.69	1.92	5.62	1.92	5.50	1.93
	-15	4.98	1.79	4.86	1.80	4.74	1.82	4.67	1.82	4.61	1.82	4.49	1.84
24 + 13 + 10	15	11.08	2.33	10.95	2.34	10.83	2.37	10.77	2.37	10.71	2.37	10.58	2.39
	10	10.06	2.24	9.94	2.25	9.81	2.27	9.75	2.28	9.69	2.28	9.56	2.30
	6	9.25	2.16	9.12	2.18	9.00	2.20	8.94	2.21	8.87	2.21	8.75	2.22
	0	8.03	2.06	7.91	2.07	7.78	2.09	7.72	2.10	7.66	2.10	7.54	2.11
	-5	7.02	1.97	6.89	1.98	6.77	2.00	6.71	2.01	6.64	2.01	6.52	2.02
	-10	6.00	1.88	5.87	1.89	5.75	1.91	5.69	1.92	5.62	1.92	5.50	1.93
	-15	4.98	1.79	4.86	1.80	4.74	1.82	4.67	1.82	4.61	1.82	4.49	1.84
16 + 16 + 10	15	10.95	2.30	10.83	2.32	10.71	2.34	10.65	2.35	10.59	2.35	10.46	2.36
	10	9.95	2.21	9.83	2.23	9.70	2.25	9.64	2.26	9.58	2.26	9.46	2.27
	6	9.15	2.14	9.02	2.15	8.90	2.18	8.84	2.18	8.78	2.18	8.65	2.20
	0	7.94	2.04	7.82	2.05	7.70	2.07	7.64	2.07	7.57	2.07	7.45	2.09
	-5	6.94	1.95	6.82	1.96	6.69	1.98	6.63	1.98	6.57	1.98	6.45	2.00
	-10	5.93	1.86	5.81	1.87	5.69	1.89	5.62	1.89	5.56	1.89	5.44	1.91
	-15	4.93	1.77	4.80	1.78	4.68	1.80	4.62	1.80	4.56	1.80	4.44	1.82

Heating

3 - rooms multisplit : 3 - units operation

Indoor units : 18 type + 16 type + 10 type 16 type + 13 type + 13 type
 22 type + 16 type + 10 type 18 type + 13 type + 13 type
 24 type + 16 type + 10 type 22 type + 13 type + 13 type
 13 type + 13 type + 10 type 24 type + 13 type + 13 type

TC : Total capacity [kW]

PI : Power input [kW]

Outdoor unit : RAS-3M26U2AVG-E

Combination (Capacity)	Outdoor air temp. [°C WB]	Indoor air temp. [°C DB]											
		16		18		20		21		22		24	
		TC [kW]	PI [kW]	TC [kW]	PI [kW]	TC [kW]	PI [kW]	TC [kW]	PI [kW]	TC [kW]	PI [kW]	TC [kW]	PI [kW]
18 + 16 + 10	15	10.95	2.30	10.83	2.32	10.71	2.34	10.65	2.35	10.59	2.35	10.46	2.36
	10	9.95	2.21	9.83	2.23	9.70	2.25	9.64	2.26	9.58	2.26	9.46	2.27
	6	9.15	2.14	9.02	2.15	8.90	2.18	8.84	2.18	8.78	2.18	8.65	2.20
	0	7.94	2.04	7.82	2.05	7.70	2.07	7.64	2.07	7.57	2.07	7.45	2.09
	-5	6.94	1.95	6.82	1.96	6.69	1.98	6.63	1.98	6.57	1.98	6.45	2.00
	-10	5.93	1.86	5.81	1.87	5.69	1.89	5.62	1.89	5.56	1.89	5.44	1.91
	-15	4.93	1.77	4.80	1.78	4.68	1.80	4.62	1.80	4.56	1.80	4.44	1.82
22 + 16 + 10	15	11.08	2.33	10.95	2.34	10.83	2.37	10.77	2.37	10.71	2.37	10.58	2.39
	10	10.06	2.24	9.94	2.25	9.81	2.27	9.75	2.28	9.69	2.28	9.56	2.30
	6	9.25	2.16	9.12	2.18	9.00	2.20	8.94	2.21	8.87	2.21	8.75	2.22
	0	8.03	2.06	7.91	2.07	7.78	2.09	7.72	2.10	7.66	2.10	7.54	2.11
	-5	7.02	1.97	6.89	1.98	6.77	2.00	6.71	2.01	6.64	2.01	6.52	2.02
	-10	6.00	1.88	5.87	1.89	5.75	1.91	5.69	1.92	5.62	1.92	5.50	1.93
	-15	4.98	1.79	4.86	1.80	4.74	1.82	4.67	1.82	4.61	1.82	4.49	1.84
24 + 16 + 10	15	11.08	2.33	10.95	2.34	10.83	2.37	10.77	2.37	10.71	2.37	10.58	2.39
	10	10.06	2.24	9.94	2.25	9.81	2.27	9.75	2.28	9.69	2.28	9.56	2.30
	6	9.25	2.16	9.12	2.18	9.00	2.20	8.94	2.21	8.87	2.21	8.75	2.22
	0	8.03	2.06	7.91	2.07	7.78	2.09	7.72	2.10	7.66	2.10	7.54	2.11
	-5	7.02	1.97	6.89	1.98	6.77	2.00	6.71	2.01	6.64	2.01	6.52	2.02
	-10	6.00	1.88	5.87	1.89	5.75	1.91	5.69	1.92	5.62	1.92	5.50	1.93
	-15	4.98	1.79	4.86	1.80	4.74	1.82	4.67	1.82	4.61	1.82	4.49	1.84
13 + 13 + 13	15	10.95	2.30	10.83	2.32	10.71	2.34	10.65	2.35	10.59	2.35	10.46	2.36
	10	9.95	2.21	9.83	2.23	9.70	2.25	9.64	2.26	9.58	2.26	9.46	2.27
	6	9.15	2.14	9.02	2.15	8.90	2.18	8.84	2.18	8.78	2.18	8.65	2.20
	0	7.94	2.04	7.82	2.05	7.70	2.07	7.64	2.07	7.57	2.07	7.45	2.09
	-5	6.94	1.95	6.82	1.96	6.69	1.98	6.63	1.98	6.57	1.98	6.45	2.00
	-10	5.93	1.86	5.81	1.87	5.69	1.89	5.62	1.89	5.56	1.89	5.44	1.91
	-15	4.93	1.77	4.80	1.78	4.68	1.80	4.62	1.80	4.56	1.80	4.44	1.82
16 + 13 + 13	15	10.95	2.30	10.83	2.32	10.71	2.34	10.65	2.35	10.59	2.35	10.46	2.36
	10	9.95	2.21	9.83	2.23	9.70	2.25	9.64	2.26	9.58	2.26	9.46	2.27
	6	9.15	2.14	9.02	2.15	8.90	2.18	8.84	2.18	8.78	2.18	8.65	2.20
	0	7.94	2.04	7.82	2.05	7.70	2.07	7.64	2.07	7.57	2.07	7.45	2.09
	-5	6.94	1.95	6.82	1.96	6.69	1.98	6.63	1.98	6.57	1.98	6.45	2.00
	-10	5.93	1.86	5.81	1.87	5.69	1.89	5.62	1.89	5.56	1.89	5.44	1.91
	-15	4.93	1.77	4.80	1.78	4.68	1.80	4.62	1.80	4.56	1.80	4.44	1.82
18 + 13 + 13	15	10.95	2.30	10.83	2.32	10.71	2.34	10.65	2.35	10.59	2.35	10.46	2.36
	10	9.95	2.21	9.83	2.23	9.70	2.25	9.64	2.26	9.58	2.26	9.46	2.27
	6	9.15	2.14	9.02	2.15	8.90	2.18	8.84	2.18	8.78	2.18	8.65	2.20
	0	7.94	2.04	7.82	2.05	7.70	2.07	7.64	2.07	7.57	2.07	7.45	2.09
	-5	6.94	1.95	6.82	1.96	6.69	1.98	6.63	1.98	6.57	1.98	6.45	2.00
	-10	5.93	1.86	5.81	1.87	5.69	1.89	5.62	1.89	5.56	1.89	5.44	1.91
	-15	4.93	1.77	4.80	1.78	4.68	1.80	4.62	1.80	4.56	1.80	4.44	1.82
22 + 13 + 13	15	11.08	2.33	10.95	2.34	10.83	2.37	10.77	2.37	10.71	2.37	10.58	2.39
	10	10.06	2.24	9.94	2.25	9.81	2.27	9.75	2.28	9.69	2.28	9.56	2.30
	6	9.25	2.16	9.12	2.18	9.00	2.20	8.94	2.21	8.87	2.21	8.75	2.22
	0	8.03	2.06	7.91	2.07	7.78	2.09	7.72	2.10	7.66	2.10	7.54	2.11
	-5	7.02	1.97	6.89	1.98	6.77	2.00	6.71	2.01	6.64	2.01	6.52	2.02
	-10	6.00	1.88	5.87	1.89	5.75	1.91	5.69	1.92	5.62	1.92	5.50	1.93
	-15	4.98	1.79	4.86	1.80	4.74	1.82	4.67	1.82	4.61	1.82	4.49	1.84
24 + 13 + 13	15	11.08	2.33	10.95	2.34	10.83	2.37	10.77	2.37	10.71	2.37	10.58	2.39
	10	10.06	2.24	9.94	2.25	9.81	2.27	9.75	2.28	9.69	2.28	9.56	2.30
	6	9.25	2.16	9.12	2.18	9.00	2.20	8.94	2.21	8.87	2.21	8.75	2.22
	0	8.03	2.06	7.91	2.07	7.78	2.09	7.72	2.10	7.66	2.10	7.54	2.11
	-5	7.02	1.97	6.89	1.98	6.77	2.00	6.71	2.01	6.64	2.01	6.52	2.02
	-10	6.00	1.88	5.87	1.89	5.75	1.91	5.69	1.92	5.62	1.92	5.50	1.93
	-15	4.98	1.79	4.86	1.80	4.74	1.82	4.67	1.82	4.61	1.82	4.49	1.84

Heating

3 - rooms multisplit : 3 - units operation

Indoor units : 16 type + 16 type + 13 type 16 type + 16 type + 16 type
 18 type + 16 type + 13 type 18 type + 16 type + 16 type
 22 type + 16 type + 13 type 22 type + 16 type + 16 type
 24 type + 16 type + 13 type

Outdoor unit : RAS-3M26U2AVG-E

TC : Total capacity [kW]
 PI : Power input [kW]

Combination (Capacity)	Outdoor air temp. [°C WB]	Indoor air temp. [°C DB]											
		16		18		20		21		22		24	
		TC [kW]	PI [kW]	TC [kW]	PI [kW]	TC [kW]	PI [kW]	TC [kW]	PI [kW]	TC [kW]	PI [kW]	TC [kW]	PI [kW]
16 + 16 + 13	15	11.08	2.33	10.95	2.34	10.83	2.37	10.77	2.37	10.71	2.37	10.58	2.39
	10	10.06	2.24	9.94	2.25	9.81	2.27	9.75	2.28	9.69	2.28	9.56	2.30
	6	9.25	2.16	9.12	2.18	9.00	2.20	8.94	2.21	8.87	2.21	8.75	2.22
	0	8.03	2.06	7.91	2.07	7.78	2.09	7.72	2.10	7.66	2.10	7.54	2.11
	-5	7.02	1.97	6.89	1.98	6.77	2.00	6.71	2.01	6.64	2.01	6.52	2.02
	-10	6.00	1.88	5.87	1.89	5.75	1.91	5.69	1.92	5.62	1.92	5.50	1.93
	-15	4.98	1.79	4.86	1.80	4.74	1.82	4.67	1.82	4.61	1.82	4.49	1.84
18 + 16 + 13	15	11.08	2.33	10.95	2.34	10.83	2.37	10.77	2.37	10.71	2.37	10.58	2.39
	10	10.06	2.24	9.94	2.25	9.81	2.27	9.75	2.28	9.69	2.28	9.56	2.30
	6	9.25	2.16	9.12	2.18	9.00	2.20	8.94	2.21	8.87	2.21	8.75	2.22
	0	8.03	2.06	7.91	2.07	7.78	2.09	7.72	2.10	7.66	2.10	7.54	2.11
	-5	7.02	1.97	6.89	1.98	6.77	2.00	6.71	2.01	6.64	2.01	6.52	2.02
	-10	6.00	1.88	5.87	1.89	5.75	1.91	5.69	1.92	5.62	1.92	5.50	1.93
	-15	4.98	1.79	4.86	1.80	4.74	1.82	4.67	1.82	4.61	1.82	4.49	1.84
22 + 16 + 13	15	11.08	2.33	10.95	2.34	10.83	2.37	10.77	2.37	10.71	2.37	10.58	2.39
	10	10.06	2.24	9.94	2.25	9.81	2.27	9.75	2.28	9.69	2.28	9.56	2.30
	6	9.25	2.16	9.12	2.18	9.00	2.20	8.94	2.21	8.87	2.21	8.75	2.22
	0	8.03	2.06	7.91	2.07	7.78	2.09	7.72	2.10	7.66	2.10	7.54	2.11
	-5	7.02	1.97	6.89	1.98	6.77	2.00	6.71	2.01	6.64	2.01	6.52	2.02
	-10	6.00	1.88	5.87	1.89	5.75	1.91	5.69	1.92	5.62	1.92	5.50	1.93
	-15	4.98	1.79	4.86	1.80	4.74	1.82	4.67	1.82	4.61	1.82	4.49	1.84
24 + 16 + 13	15	11.08	2.33	10.95	2.34	10.83	2.37	10.77	2.37	10.71	2.37	10.58	2.39
	10	10.06	2.24	9.94	2.25	9.81	2.27	9.75	2.28	9.69	2.28	9.56	2.30
	6	9.25	2.16	9.12	2.18	9.00	2.20	8.94	2.21	8.87	2.21	8.75	2.22
	0	8.03	2.06	7.91	2.07	7.78	2.09	7.72	2.10	7.66	2.10	7.54	2.11
	-5	7.02	1.97	6.89	1.98	6.77	2.00	6.71	2.01	6.64	2.01	6.52	2.02
	-10	6.00	1.88	5.87	1.89	5.75	1.91	5.69	1.92	5.62	1.92	5.50	1.93
	-15	4.98	1.79	4.86	1.80	4.74	1.82	4.67	1.82	4.61	1.82	4.49	1.84
16 + 16 + 16	15	11.08	2.33	10.95	2.34	10.83	2.37	10.77	2.37	10.71	2.37	10.58	2.39
	10	10.06	2.24	9.94	2.25	9.81	2.27	9.75	2.28	9.69	2.28	9.56	2.30
	6	9.25	2.16	9.12	2.18	9.00	2.20	8.94	2.21	8.87	2.21	8.75	2.22
	0	8.03	2.06	7.91	2.07	7.78	2.09	7.72	2.10	7.66	2.10	7.54	2.11
	-5	7.02	1.97	6.89	1.98	6.77	2.00	6.71	2.01	6.64	2.01	6.52	2.02
	-10	6.00	1.88	5.87	1.89	5.75	1.91	5.69	1.92	5.62	1.92	5.50	1.93
	-15	4.98	1.79	4.86	1.80	4.74	1.82	4.67	1.82	4.61	1.82	4.49	1.84
18 + 16 + 16	15	11.08	2.33	10.95	2.34	10.83	2.37	10.77	2.37	10.71	2.37	10.58	2.39
	10	10.06	2.24	9.94	2.25	9.81	2.27	9.75	2.28	9.69	2.28	9.56	2.30
	6	9.25	2.16	9.12	2.18	9.00	2.20	8.94	2.21	8.87	2.21	8.75	2.22
	0	8.03	2.06	7.91	2.07	7.78	2.09	7.72	2.10	7.66	2.10	7.54	2.11
	-5	7.02	1.97	6.89	1.98	6.77	2.00	6.71	2.01	6.64	2.01	6.52	2.02
	-10	6.00	1.88	5.87	1.89	5.75	1.91	5.69	1.92	5.62	1.92	5.50	1.93
	-15	4.98	1.79	4.86	1.80	4.74	1.82	4.67	1.82	4.61	1.82	4.49	1.84
22 + 16 + 16	15	11.08	2.33	10.95	2.34	10.83	2.37	10.77	2.37	10.71	2.37	10.58	2.39
	10	10.06	2.24	9.94	2.25	9.81	2.27	9.75	2.28	9.69	2.28	9.56	2.30
	6	9.25	2.16	9.12	2.18	9.00	2.20	8.94	2.21	8.87	2.21	8.75	2.22
	0	8.03	2.06	7.91	2.07	7.78	2.09	7.72	2.10	7.66	2.10	7.54	2.11
	-5	7.02	1.97	6.89	1.98	6.77	2.00	6.71	2.01	6.64	2.01	6.52	2.02
	-10	6.00	1.88	5.87	1.89	5.75	1.91	5.69	1.92	5.62	1.92	5.50	1.93
	-15	4.98	1.79	4.86	1.80	4.74	1.82	4.67	1.82	4.61	1.82	4.49	1.84

TOSHIBA CARRIER (THAILAND) CO.,LTD.

144/9 Moo 5, Bangkadi Industrial Park, Tivanon Road, Tambol Bangkadi,
Amphur Muang, Pathumthani 12000, Thailand

Copyright © 2015 TOSHIBA CARRIER (THAILAND), All Rights Reserved

Notice : Toshiba is committed to continuously improving its products to ensure the highest quality and reliability standard, and to meet local regulations and market requirements. All features and specifications are subject to change without prior notice.
