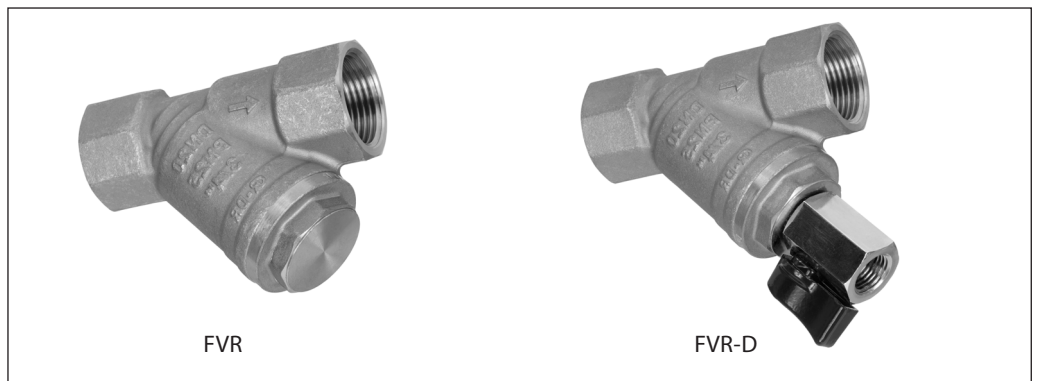


Data sheet

FVR, FVR-D Strainers

Description



FV strainer is used in heating and hot-waterservice systems to protect the fittings. The strainer filter traps foreign matters in the pipe water like welding beads, swarf, sand, etc. FV must be fitted in the system flow to protect the fittings from external foreign matters. FV must also be fitted ahead of sensitive components like meters, pumps, control valves to protect against internal foreign matters.

Features:

- Replaceable filter
- Version with draining ball valve (FVR-D)

Main data:

- DN 10-50
- k_{vs} 3,0-32 m³/h
- PN 25
- Temperature:
 - FVR: -20 ... 130 °C
 - FVR-D: -15 ... 130 °C
- Medium: Circulation water / glycolic water up to 50 %
- Min. storage and transport temperature: -40 °C
- Threaded connection

Ordering

Picture	DN (mm)	k_{vs} (m ³ /h)	FVR Code No.	FVR-D Code No.
	10	3,0	065B8234	-
	15	4,0	065B8235	065B8241
	20	8,0	065B8236	065B8242
	25	10	065B8237	065B8243
	32	15	065B8238	065B8244
	40	21	065B8239	065B8245
	50	32	065B8240	065B8246

Spare parts - Screen

Picture	DN (mm)	FVR, FVR-D Code no.
	10	065B8247
	15	
	20	065B8248
	25	065B8249
	32	065B8250
	40	065B8251
	50	065B8252

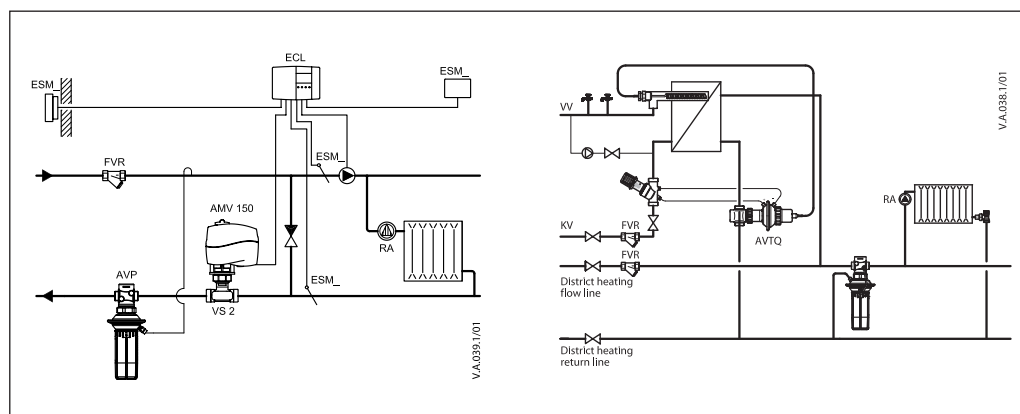
Accessories - Ball valve

Picture	DN (mm)	FVR-D Code no.
	10	065B8254
	15	
	20	
	25	
	32	
	40	
	50	

Ordering

Nominal diameter	DN	10	15	20	25	32	40	50
Value k_{vs}	m ³ /h	3,0	4,0	8,0	10	15	21	32
Nominal pressure	PN	25						
Medium		Circulation water, glycolic water up to 50 %						
Medium pH		Min. 7, Max. 10						
Medium temperature	°C	FVR: -20 ... 130 °C FVR-D: -15 ... 130 °C						
Mesh size	µm	500						
Number of meshes	n/cm ²	50						
Connection		Internal thread Rp						
Materials								
Body (strainer)		Dezincification free brass						
Plug (strainer)		Dezincification free brass						
Screen		Stainless steel						
O-ring		EPDM						
Body (ball valve)		Brass						

Applications

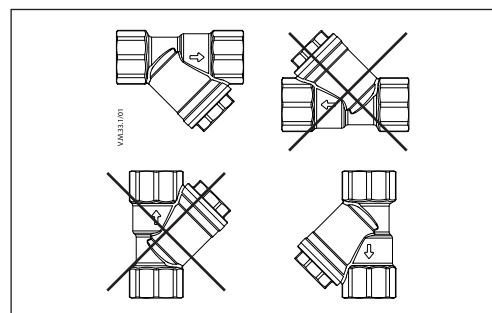


Installation positions

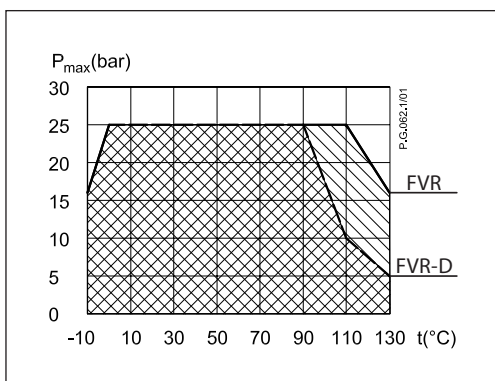
The medium flow direction must correspond to an arrow on the strainer body.

Strainers are to be installed in horizontal position with mesh bonet directed downwards. Vertical position is also allowed (be aware - when medium flows upwards strainer retains all foreign particles but is not able to collect them).

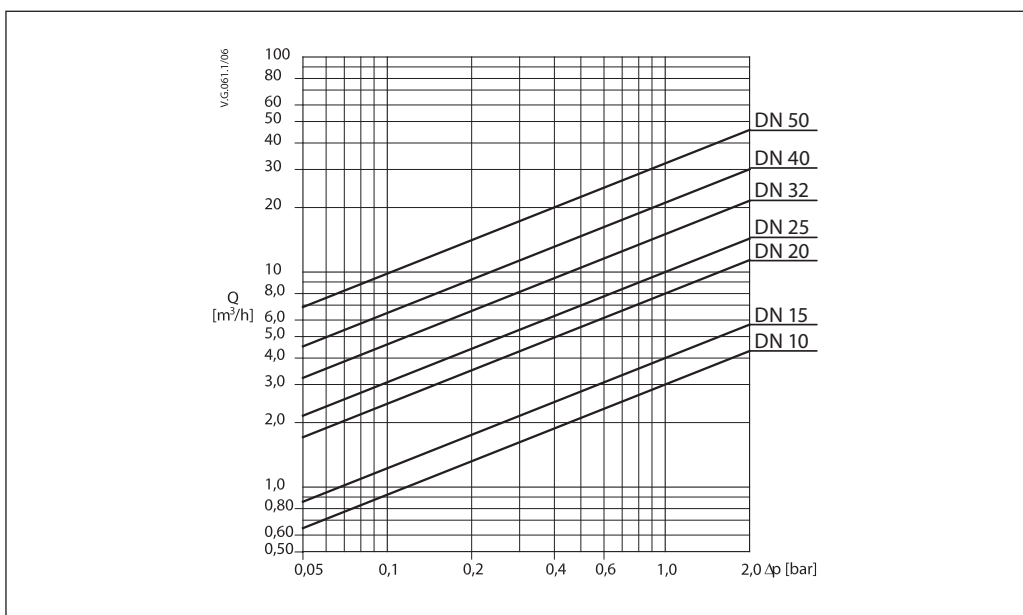
Sufficient space to pull out the mesh for replacement and cleaning must be ensured.



Pressure temperature diagram

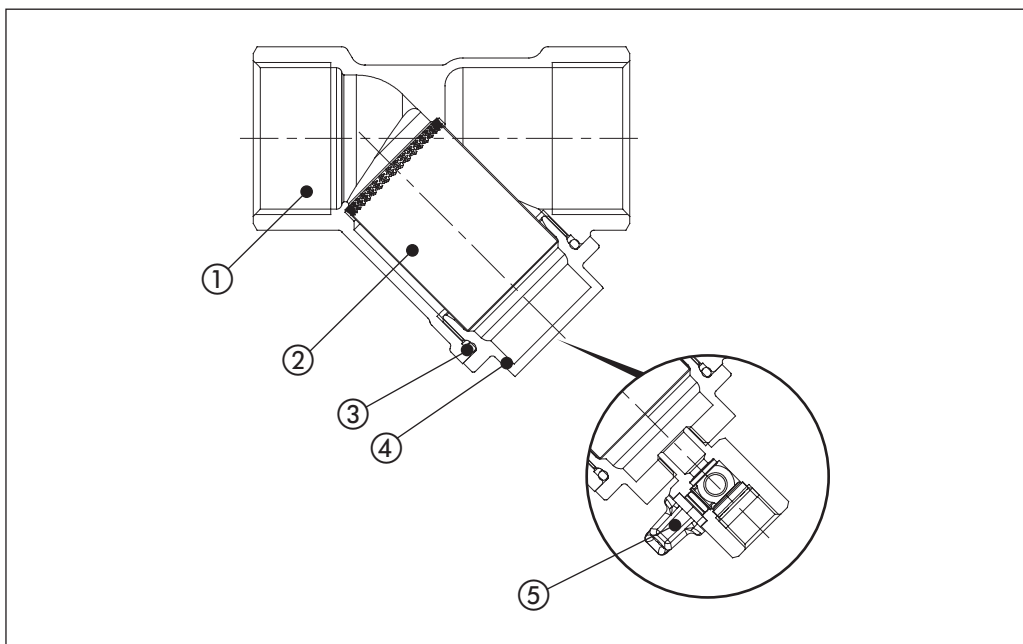


Sizing - Headloss chart

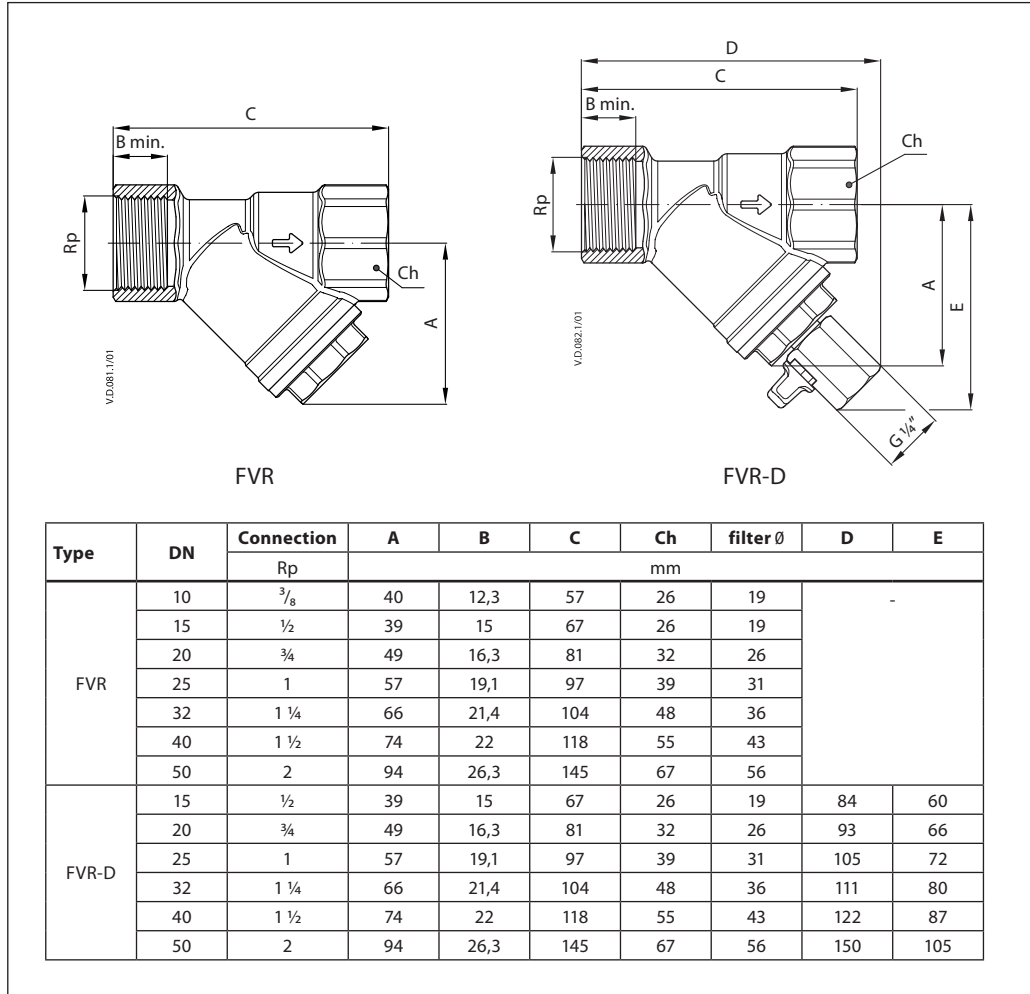


Design

1. Valve body
2. Screen
3. O-ring
4. Plug
5. Draining ball valve



Dimensions



Danfoss A/S

Heating Segment • danfoss.com • +45 7488 2222 • E-Mail: heating@danfoss.com

Danfoss can accept no responsibility for possible errors in catalogues, brochures and other printed material. Danfoss reserves the right to alter its products without notice. This also applies to products already on order provided that such alterations can be made without subsequent changes being necessary in specifications already agreed. All trademarks in this material are property of the respective companies. Danfoss and all Danfoss logotypes are trademarks of Danfoss A/S. All rights reserved.