

8

7

6

5

4

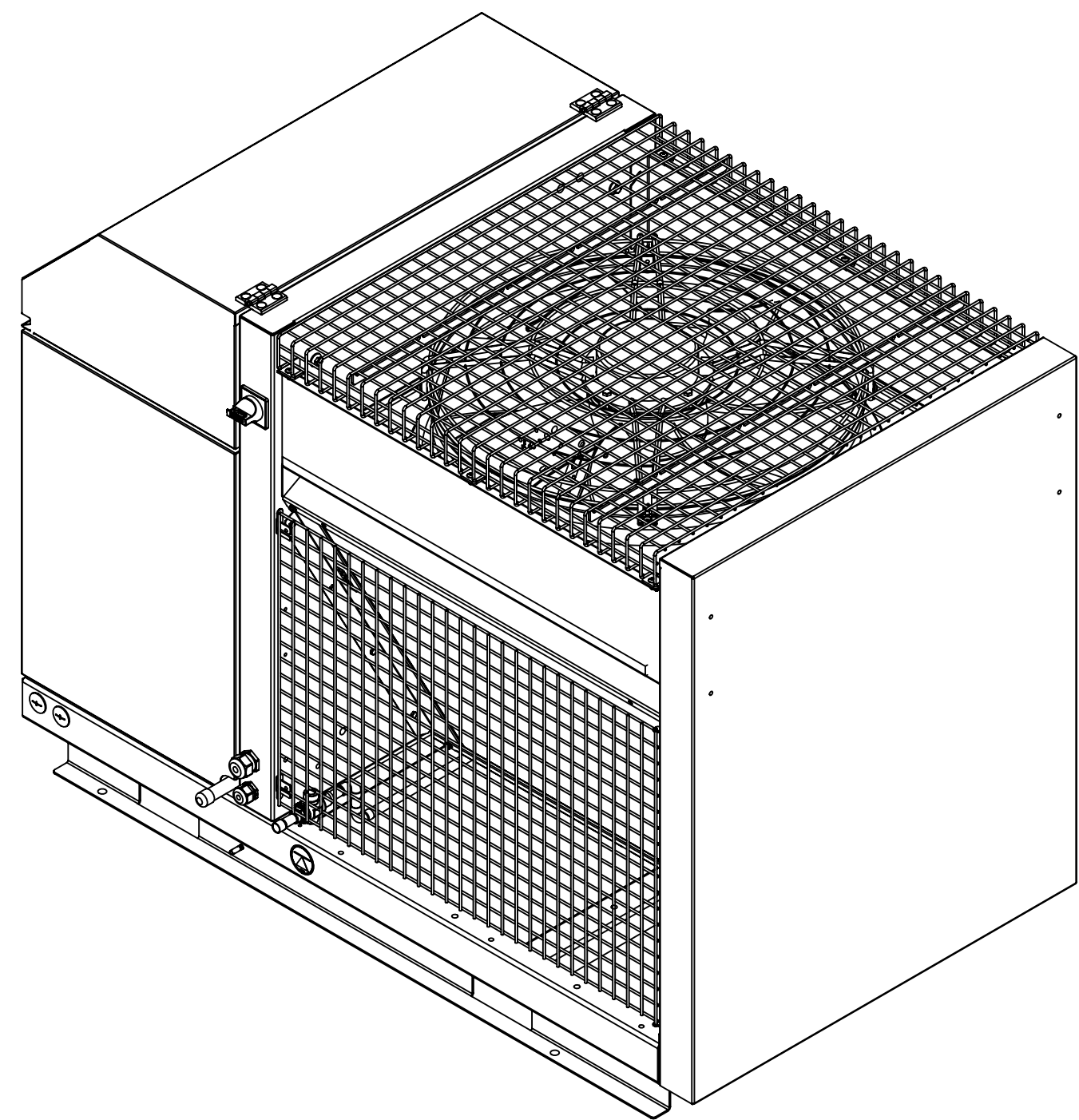
3

2

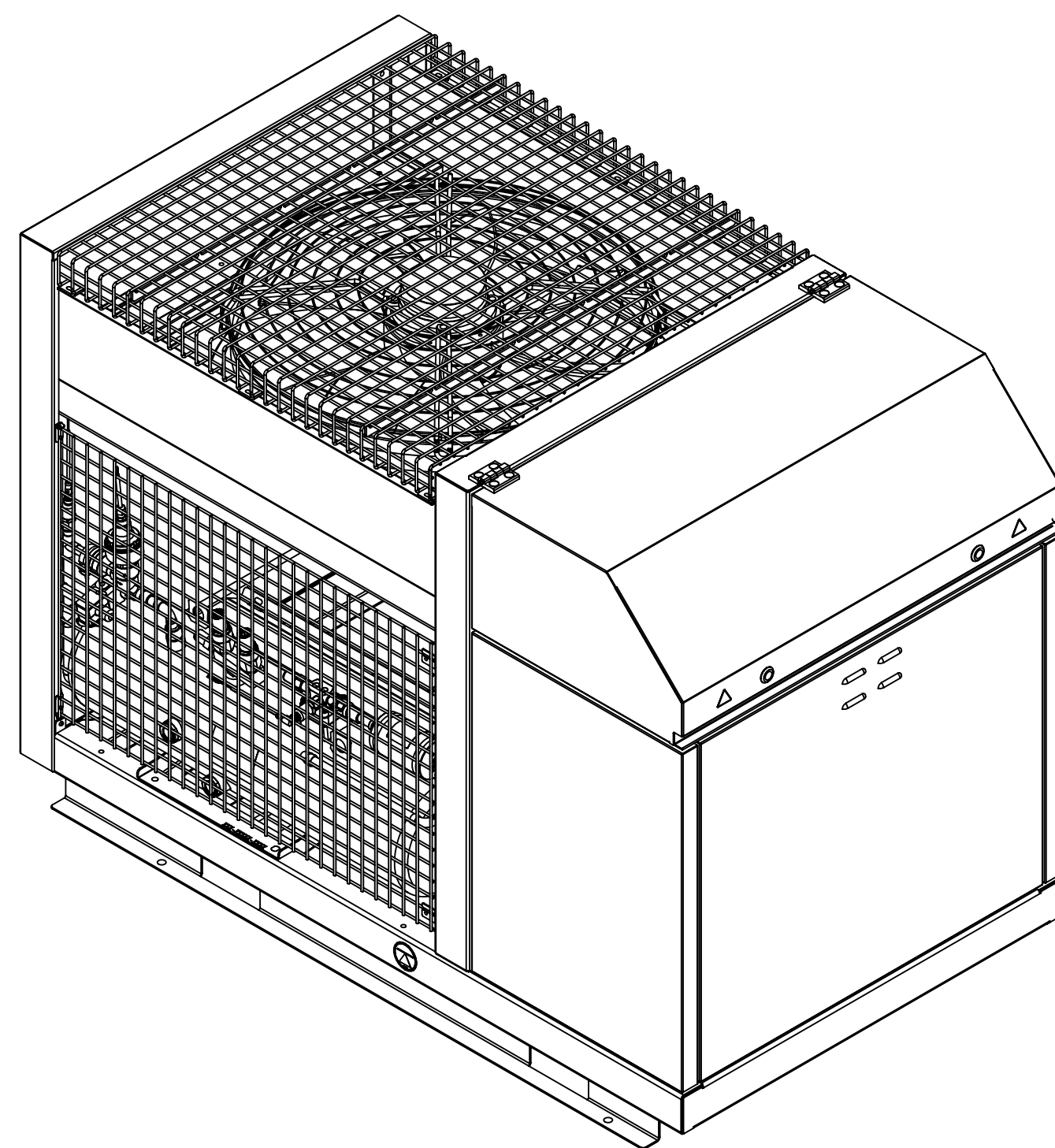
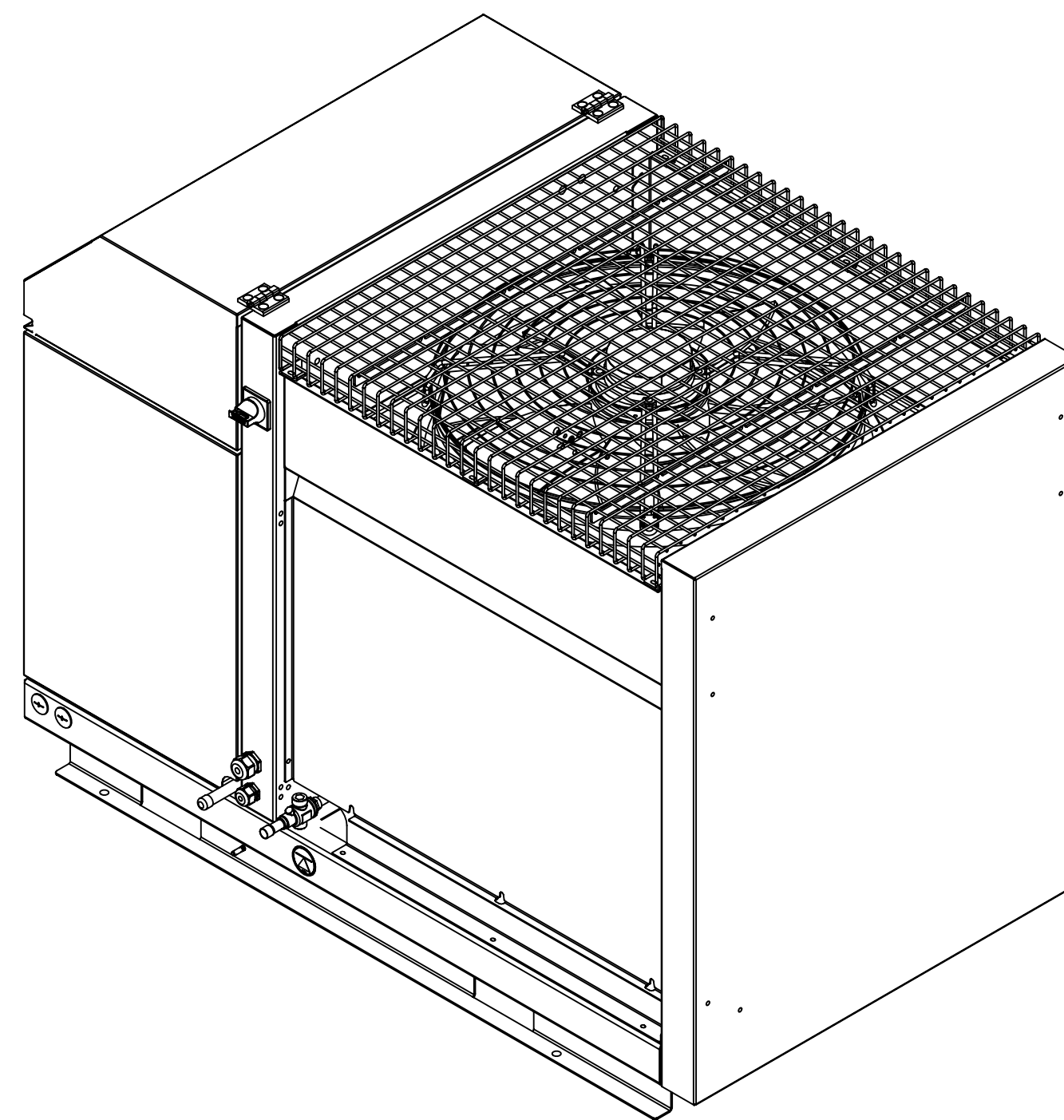
1

SPECIFICATIONS	
ES NO.	DESCRIPTION
ES92-155	CONVERSION-METRIC

ISOMETRIC VIEW TO CO2 7, 9 & 12 HP UNITS



ISOMETRIC VIEW TO CO2 5 HP UNITS



INTERPRET PER ASME
Y14.5M-1994 AND
EMERSON DESIGN
STANDARDS DS2002

DO NOT SCALE DRAWING

CRITICAL PRODUCT CHARACTERISTICS

UNLESS OTHERWISE SPECIFIED
DIMENSIONS ARE MILLIMETER OR (INCH)

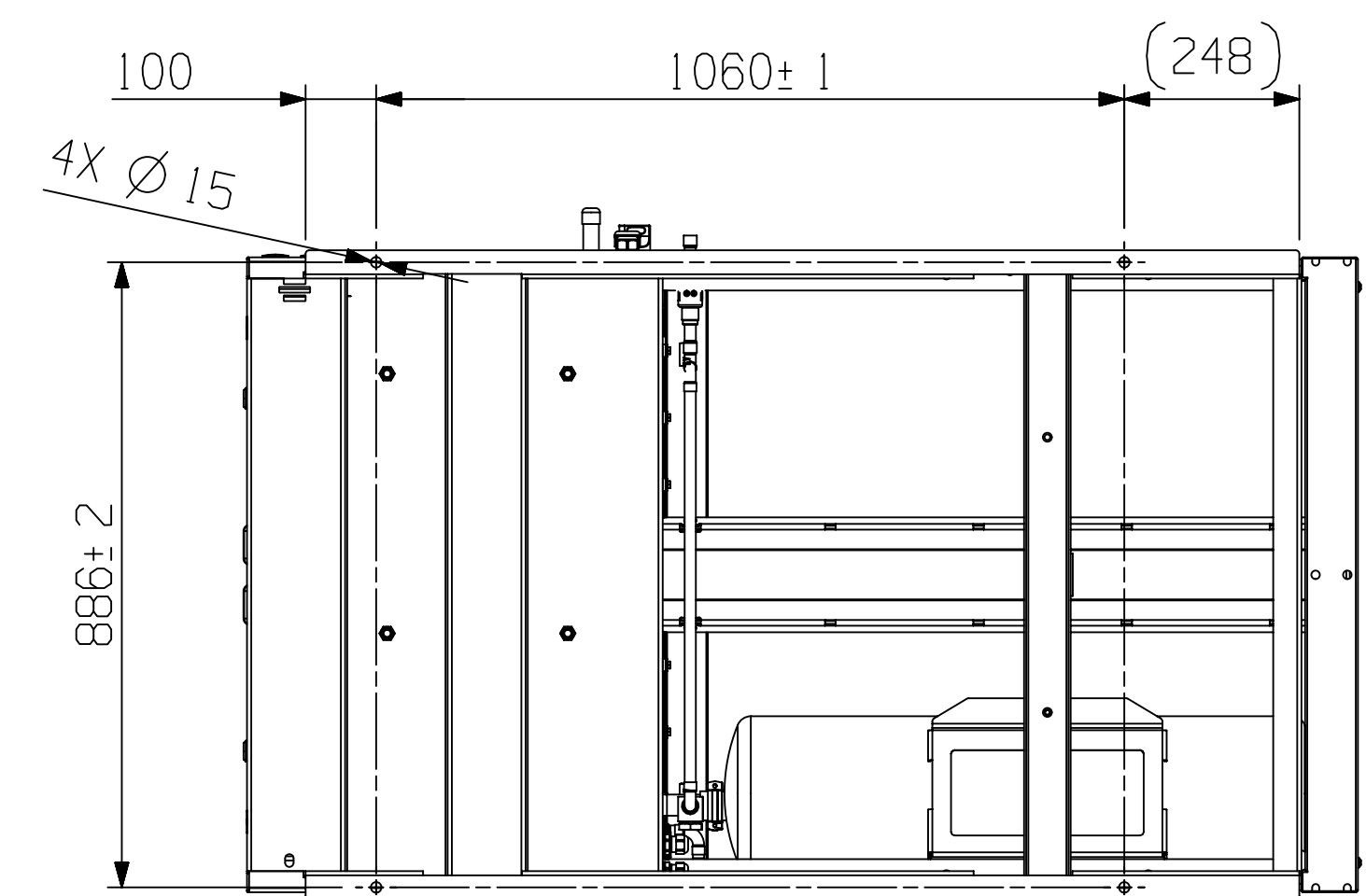
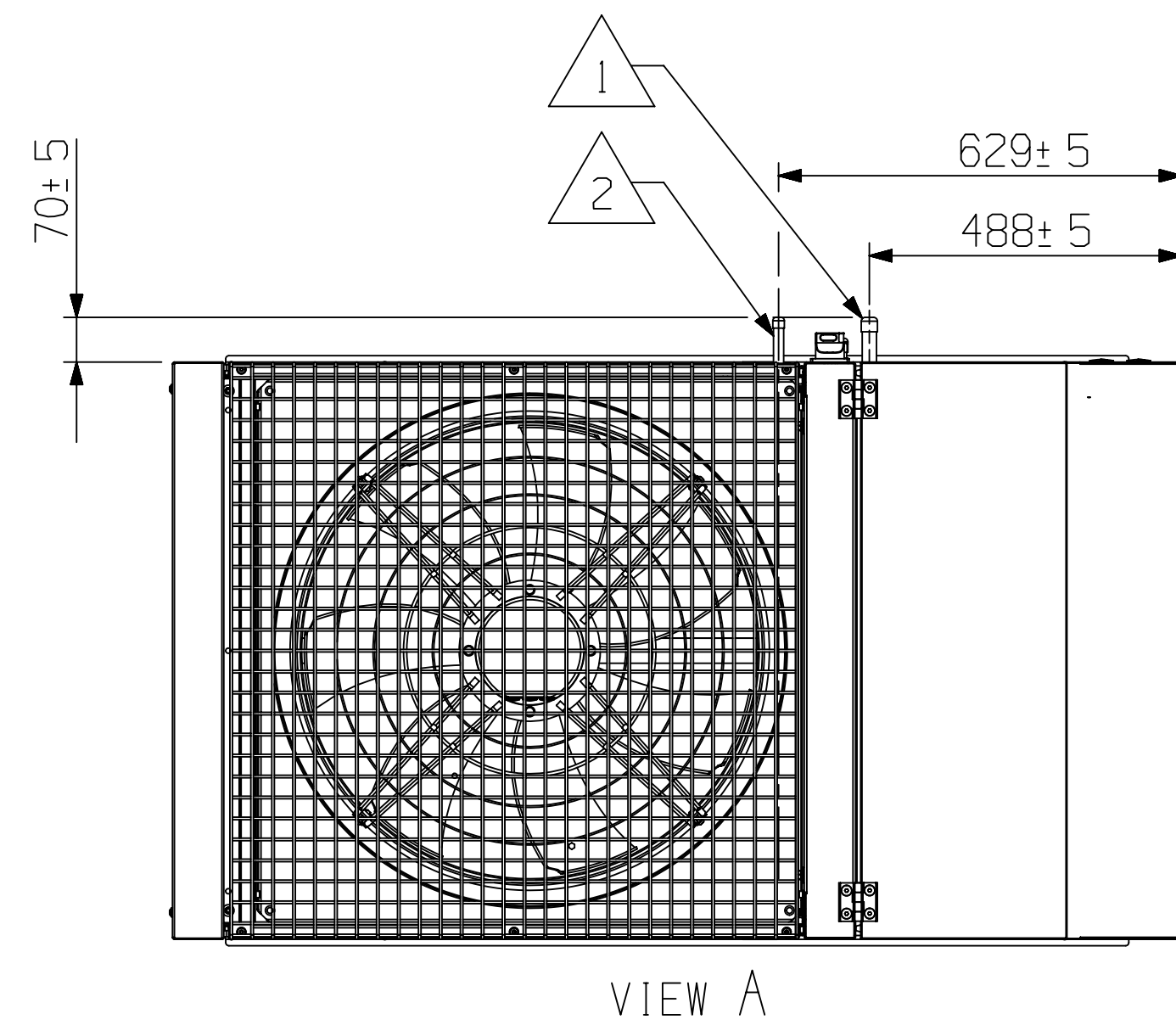
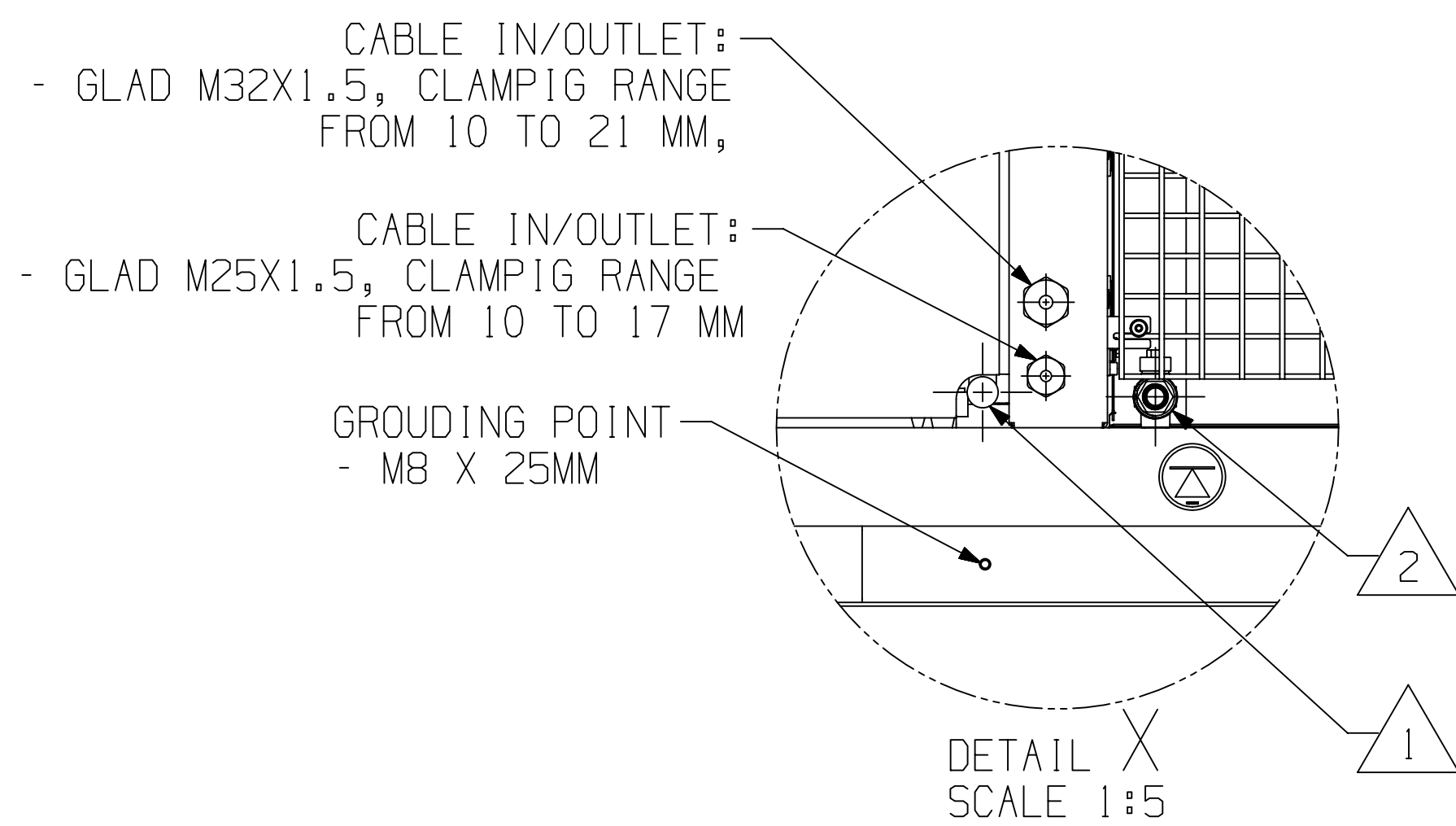
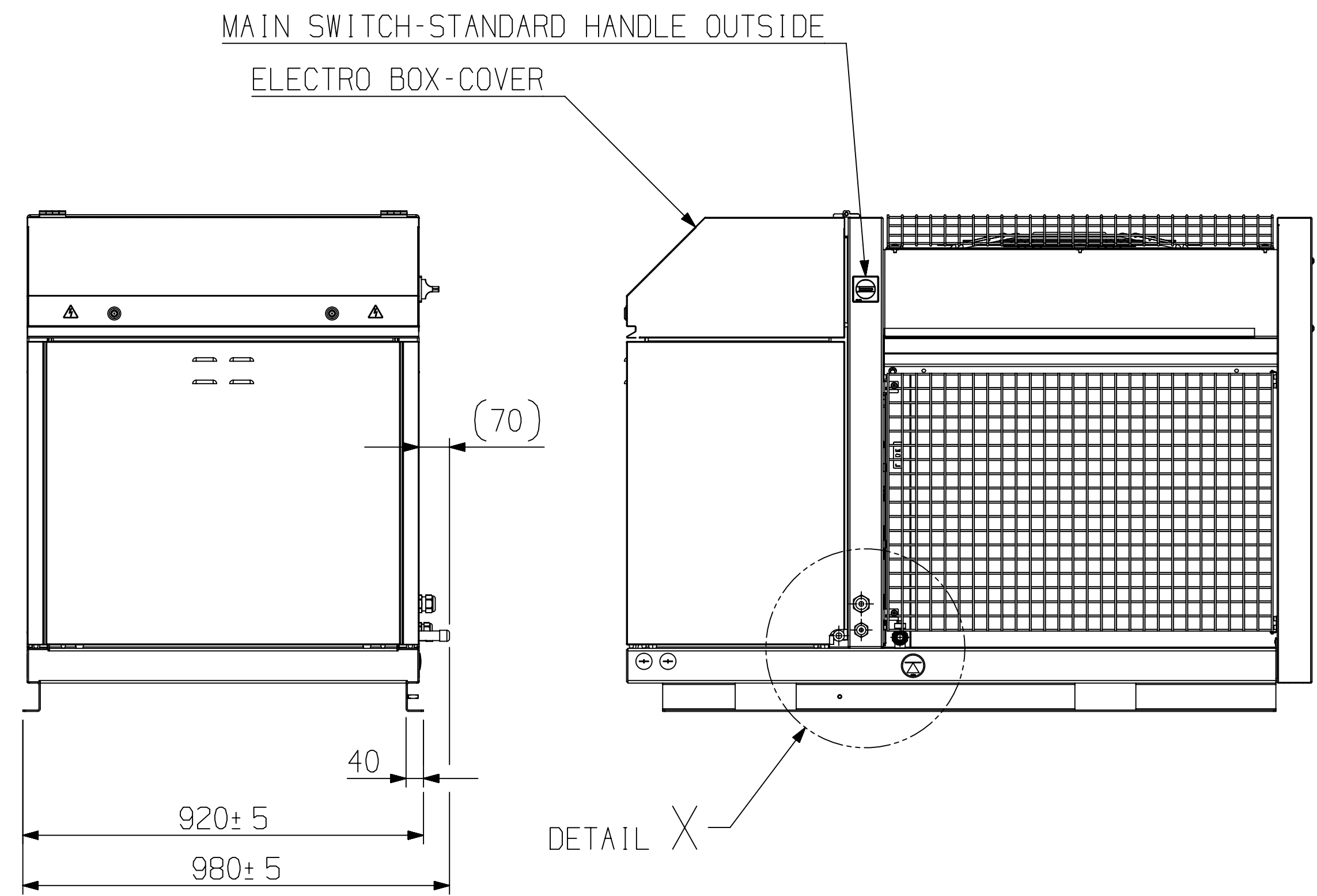
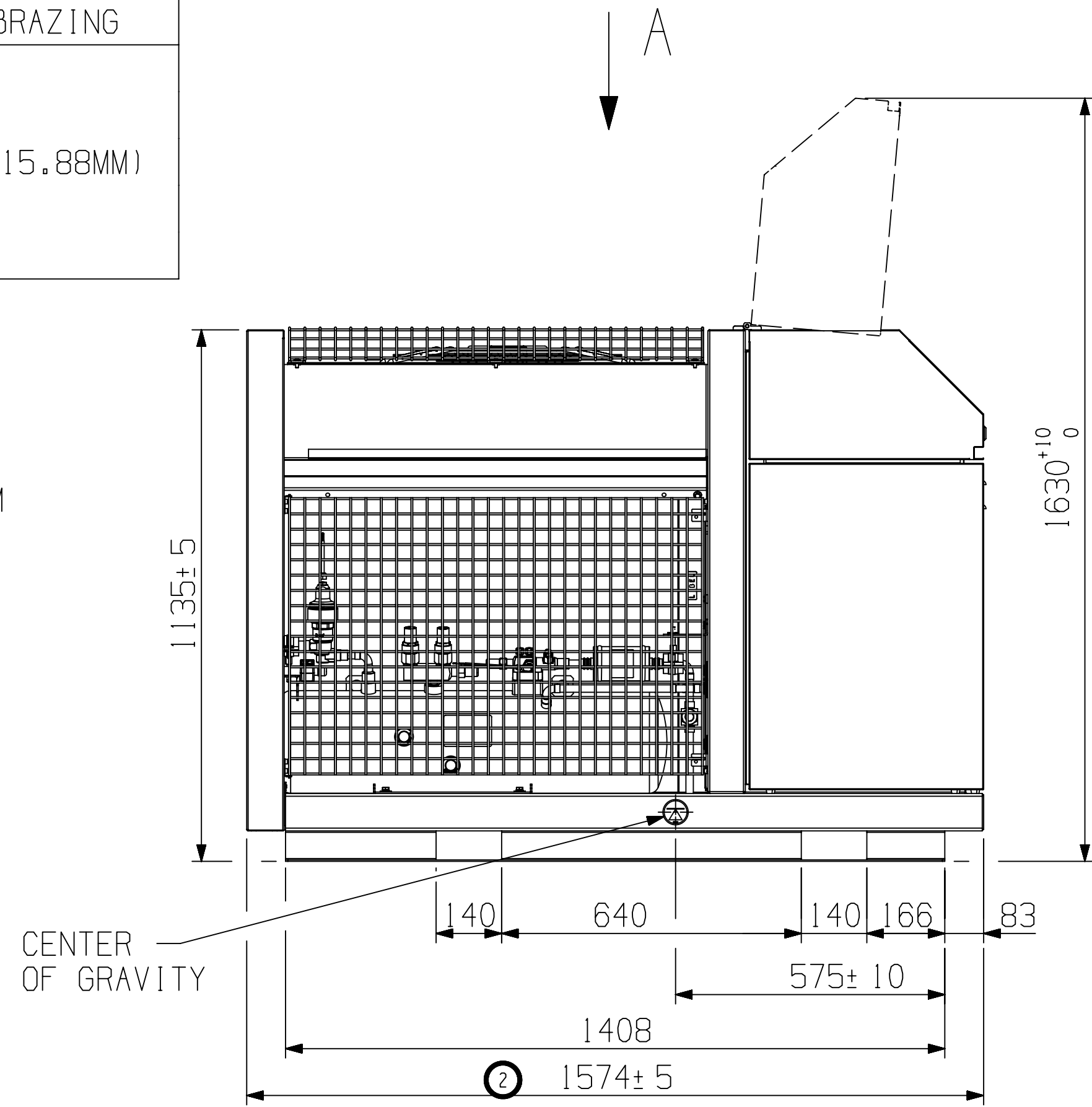
TOLERANCES:
1-PLACE ± 0.4
2-PLACE ± 0.15
ANGULAR ± 0.5°



ECN100562	2	ADDED NEW UNIT OME-4MTL-12X	10-01-20	TT	JR
ECN100562	1	SHEET 1 ADDED; FRAME'S SHEETS REMOVED	03-04-19	JM	JH
ECN100562	0	RELEASED	01-17-19	JM	JH
ENG NOTICE NO.	REV. NO.	REVISIONS	DATE	BY	CHKD
26		CONFIDENTIALITY NOTICE			
THIS DRAWING AND INFORMATION CONTAINED HEREIN ARE THE EXCLUSIVE PROPERTY OF EMERSON CLIMATE TECHNOLOGIES, INC AND/OR ITS AFFILIATES (COLLECTIVELY "EMERSON") AND SHALL BE RETURNED UPON DEMAND AND SHALL NOT BE REPRODUCED IN WHOLE OR IN PART, DISCLOSED TO ANYONE ELSE OR USED, WITHOUT THE WRITTEN CONSENT OF EMERSON.					
MATERIAL SPECIFICATION		DRAWN BY	SUPERSEDES DWG NO /	REV NO	
		JM	-	-	
		DATE	SCALE	DATE FORMAT:	
		03-04-19	1:1	MM-DD-YY	
TITLE			DRAWING NUMBER	SHEET 3 OF 3 DWG	
REF DWG- INSTALATION			497-3228-00	4	
			SIZE		

ITEM	TYPE UNITS	WEIGHT	SUCTION LINE CONNECTION ¹	LIQUID LINE CONNECTION ²
		UNIT	OD BRAZING	ID BRAZING
1	OME-4MTL-09X-HP	462	7/8" (22.2MM)	5/8" (15.88MM)
2	OME-4MTL-07X-HP	450	3/4" (19.05MM)	
3	OME-4MTL-09X	462	7/8" (22.2MM)	
4	OME-4MTL-07X	450	3/4" (19.05MM)	
5	OME-4MTL-12X	473	7/8" (22.2MM)	

NOTES:

- EXTERNAL DIMENSIONS WITH PACKAGING 1676X1391X1056 MM (WIDTH X HEIGHT X DEPTH IN MILLIMETERS);
- STEP AND DXF FILE ARE AVAILABLE ON REQUEST;



ITEM	TYPE UNITS	WEIGHT	SUCTION LINE CONNECTION 	LIQUID LINE CONNECTION 
		UNIT	OD BRAZING	ID BRAZING
1	OME-4MTL-05X	443	3/4" (19.05MM)	5/8" (15.88MM)
2	OME-4MTL-05X-HP	443	3/4" (19.05MM)	5/8" (15.88MM)

NOTES:

- EXTERNAL DIMENSIONS WITH PACKAGING 1676X1391X1056 MM (WIDTH X HEIGHT X DEPTH IN MILLIMETERS);
- STEP AND DXF FILE ARE AVAILABLE ON REQUEST;

